



US00D738739S

(12) **United States Design Patent**
Chertoff

(10) **Patent No.:** **US D738,739 S**

(45) **Date of Patent:** **** Sep. 15, 2015**

(54) **FRAGRANCE BOTTLE**

(71) Applicant: **ELC Management, LLC**, Melville, NY
(US)

(72) Inventor: **Jesse A. Chertoff**, Tenafly, NJ (US)

(73) Assignee: **ELC Management LLC**, Melville, NY
(US)

(**) Term: **14 Years**

(21) Appl. No.: **29/481,957**

(22) Filed: **Feb. 12, 2014**

(51) **LOC (10) Cl.** **09-01**

(52) **U.S. Cl.**

USPC **D9/573**

(58) **Field of Classification Search**

USPC D7/300, 301, 305, 317, 321, 500, 505,
D7/506, 538, 539, 541, 566, 571, 574,
D7/581; D9/516, 529, 544, 550, 563, 573,
D9/600, 635, 682, 686, 693, 694, 719,
D9/738; D28/5, 76, 77, 85-87, 91.1;
206/581; 215/200, 227, 228, 305, 378,
215/379, 382, 386, 399; 220/212, 212.5,
220/376, 662, 665, 669, 751; 222/153.13,
222/175, 321.1, 321.2, 321.3, 382-384, 556
See application file for complete search history.

(56) **References Cited**

U.S. PATENT DOCUMENTS

D73,802 S 11/1927 Paillery
D110,302 S * 6/1938 Guerlain D9/635
D124,724 S 1/1941 McIntosh
D125,899 S 3/1941 McIntosh
D163,595 S * 6/1951 Gale D9/544
3,045,860 A 7/1962 Harvey
3,151,777 A 10/1964 Rooney
3,356,244 A 12/1967 Witchell
D276,413 S 11/1984 Porter et al.
D277,459 S 2/1985 Baum et al.

D317,403 S 6/1991 Farsch
D326,053 S 5/1992 Waine et al.
D336,036 S 6/1993 Wacker
5,215,227 A 6/1993 Farner

(Continued)

FOREIGN PATENT DOCUMENTS

JP D1418735 7/2011
TW 200283 2/1993

(Continued)

OTHER PUBLICATIONS

Big Pink Bow—Hello Kitty; Sephora; <http://www.sephora.com>;
Found Online; pp. 3; Feb. 2014.

(Continued)

Primary Examiner — Susan Bennett Hattan

Assistant Examiner — Leanne Was

(74) *Attorney, Agent, or Firm* — Cynthia R. Miller

(57)

CLAIM

The ornamental design for a fragrance bottle, as shown and described.

DESCRIPTION

FIG. 1 is a top, front and right side perspective view of my new design for a fragrance bottle;

FIG. 2 is a front elevation view of the fragrance bottle shown in FIG. 1, the rear elevation view being identical thereto;

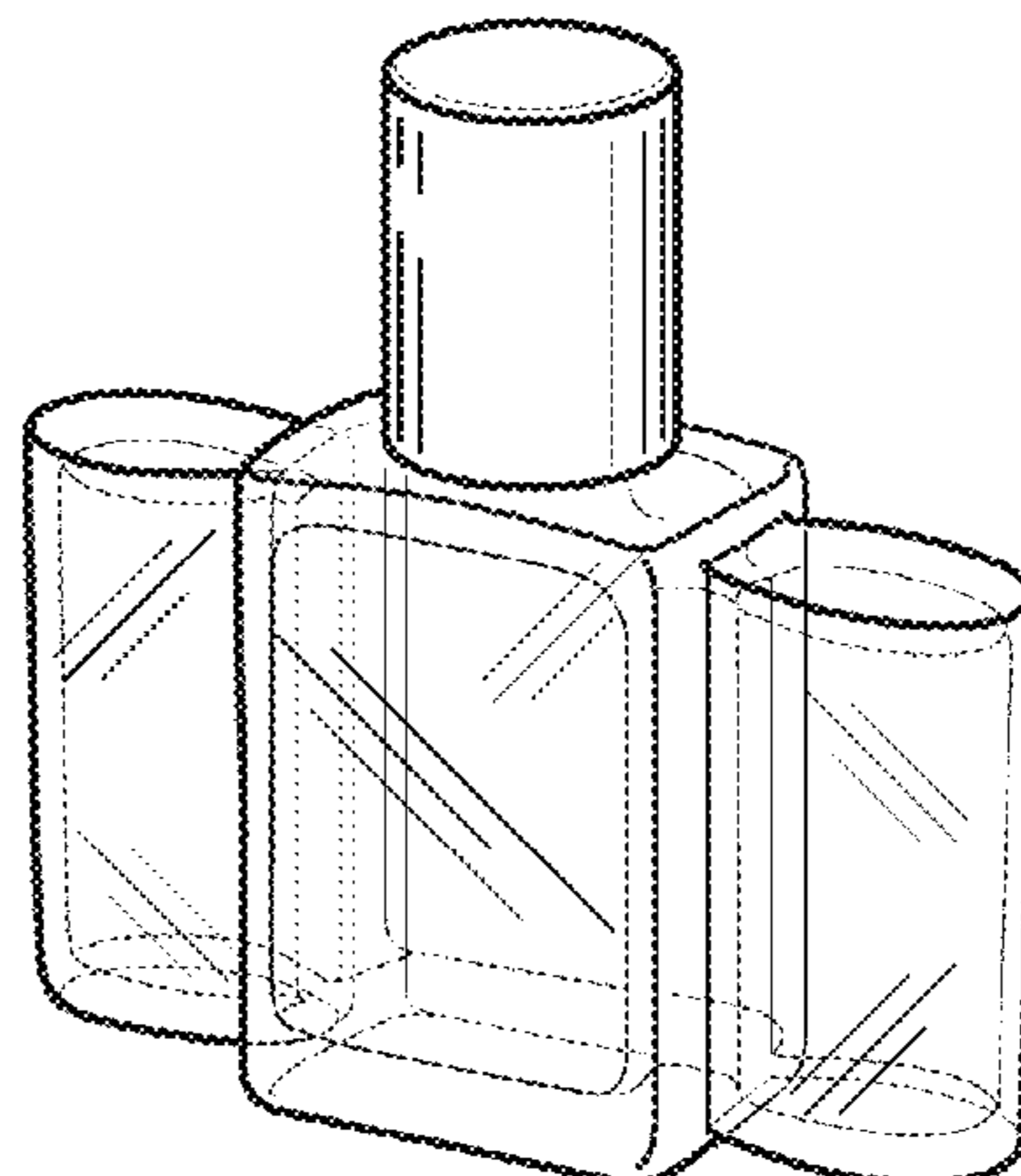
FIG. 3 is a right side elevation view of the fragrance bottle shown in FIG. 1, the left side elevation view being identical thereto;

FIG. 4 is a top plan view of the fragrance bottle shown in FIG. 1; and,

FIG. 5 is a bottom plan view of the fragrance bottle shown in FIG. 1.

The broken lines depict portions of the fragrance bottle that form no part of the claimed design.

1 Claim, 2 Drawing Sheets



(56)

References Cited

FOREIGN PATENT DOCUMENTS

U.S. PATENT DOCUMENTS

D351,793 S 10/1994 Stoller
 D354,686 S 1/1995 Ricci
 D367,613 S 3/1996 Weiler
 D372,676 S 8/1996 Desgrippes
 D381,907 S 8/1997 King
 D395,829 S 7/1998 Wacker et al.
 D453,106 S 1/2002 Peltrault
 D483,662 S * 12/2003 Castro Lopez D9/694
 D487,702 S 3/2004 Sironi
 D498,665 S 11/2004 Mansau
 D510,276 S 10/2005 de France
 D511,688 S 11/2005 Baron
 D528,009 S 9/2006 Hack et al.
 D531,049 S 10/2006 de France
 D537,728 S 3/2007 De Monclin
 D558,060 S 12/2007 Sir
 D572,145 S 7/2008 Knapp et al.
 D574,251 S 8/2008 Lloyd et al.
 D580,778 S 11/2008 Konckier
 D587,596 S 3/2009 Lloyd
 D588,469 S * 3/2009 Pininfarina D9/687
 D606,875 S 12/2009 Vila
 D616,748 S 6/2010 Nakamura et al.
 D622,142 S * 8/2010 de France D9/441
 D627,663 S 11/2010 Kruetzkamp et al.
 7,874,465 B2 1/2011 Bertin et al.
 D634,211 S 3/2011 Kruetzkamp et al.
 D654,369 S 2/2012 Del Cerro et al.
 D675,104 S 1/2013 Chen
 D696,591 S * 12/2013 Chertoff et al. D9/682

TW 252697 7/1995
 TW D124089 8/2008

OTHER PUBLICATIONS

Big Pink Bow Koto Parfums for women; a new fragrance for women 2012; <http://www.fragrantica.com/perfume/Koto-Parfums/Big-Pink-Bow-14814.html>; Found Online; pp. 4; Feb. 2014.
 Bonbon Viktor&Rolf for women; a new fragrance for women 2014; Found Online; pp. 3; Feb. 2014.
 Citation Particulars: ROC (Taiwan) Design Patent Application No. 102300937; Agent's Letter Date: Oct. 22, 2013.
 Citation Particulars: ROC (Taiwan) Design Patent Application No. 102300939; Agent's Letter Date: Oct. 22, 2013.
 Modern Muse by Estee Lauder dated Oct. 14, 2013, Found Online; <http://www.amazon.com/Estee-Lauder-Modern-Parfume-Spray/dp/B00ELS9WLA> pp. 5; Feb. 2014.
 Questel Design; Perfume bottle (spirit); Creator: Zhao Li; China; Reg. No. 301424267; Applic. No. 201030280326; Publication: Dec. 29, 2010.
 Questel Design; Perfume Bottle; Creator: Yu Shengai; China; Reg. No. 301586833; Applic. No. 201030513925; Publication: Jun. 22, 2011.
 Questel Design; Perfume Bottle; Intel Perfume Company, China; Reg. No. 301757897; Applic. No. 201130057822; Publication: Dec. 14, 2011.
 ROC (Taiwan) Design Patent Application No. 102300937; Search Report; Completed Sep. 14, 2013.
 ROC (Taiwan) Design Patent Application No. 102300939; Search Report; Completed Sep. 14, 2013.

* cited by examiner

FIG. 1

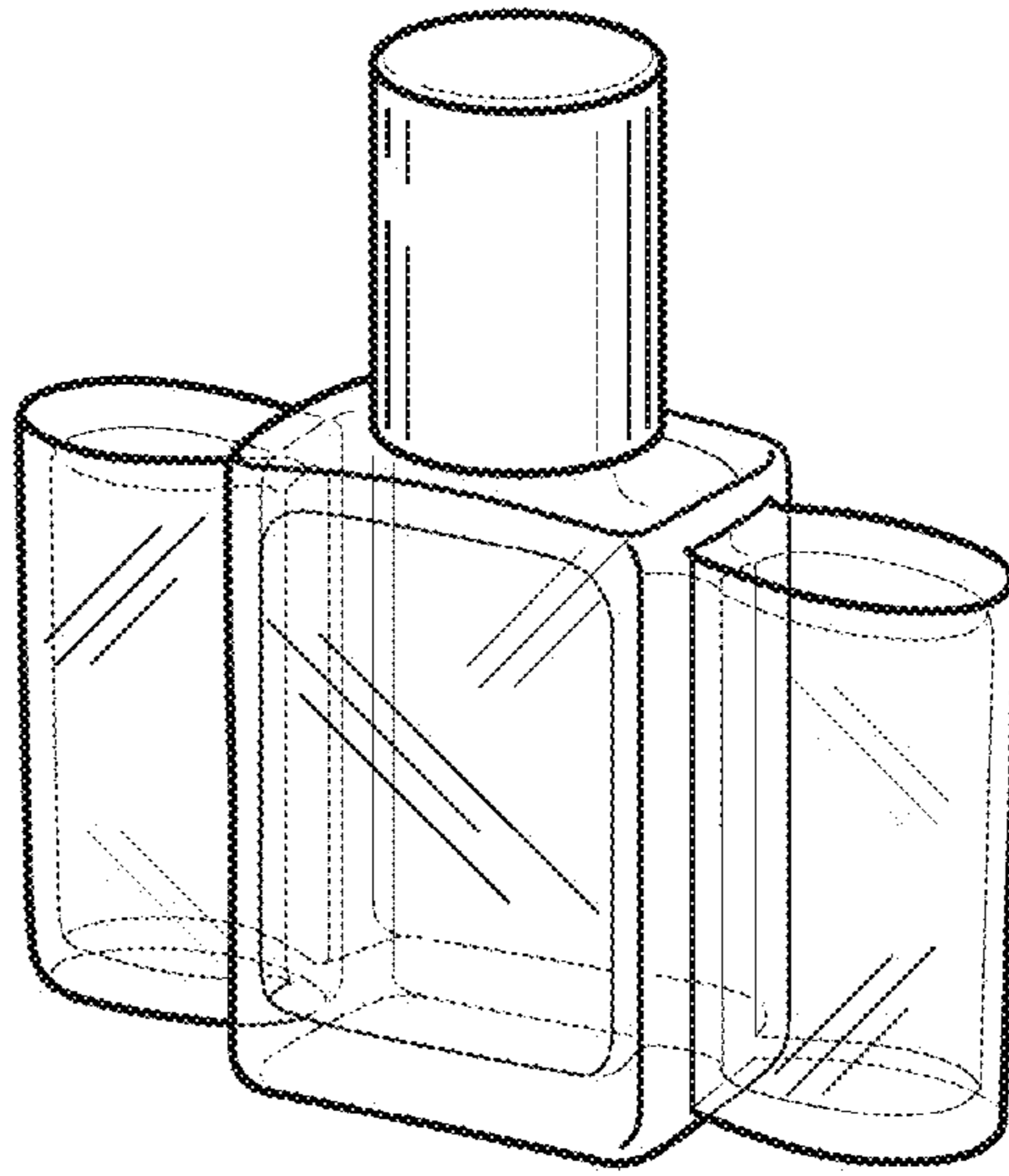


FIG. 2

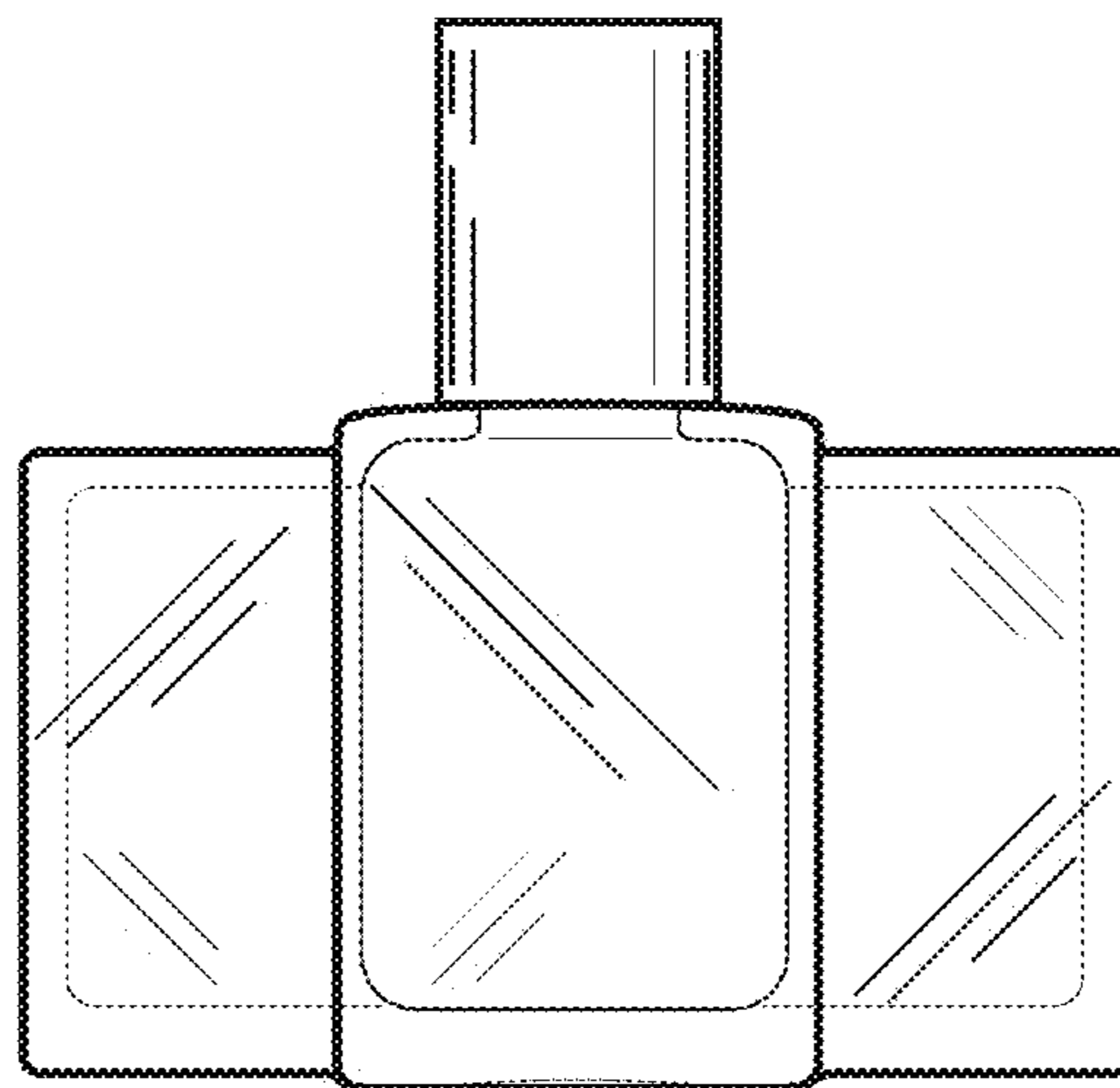


FIG. 3

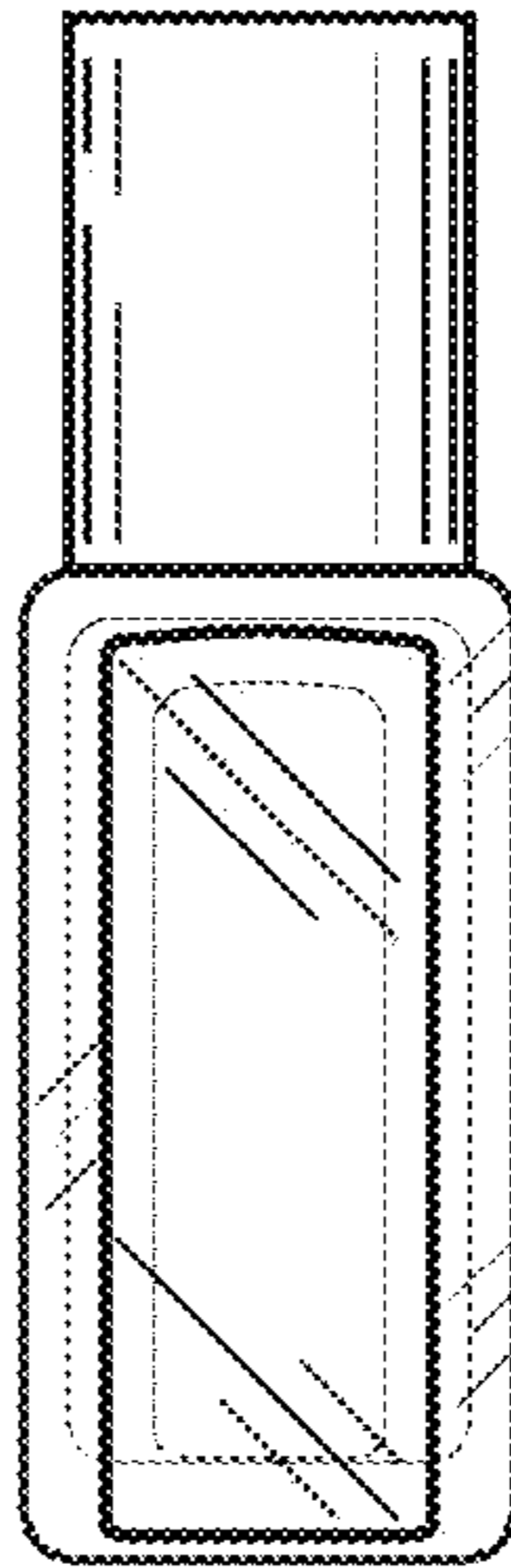


FIG. 4

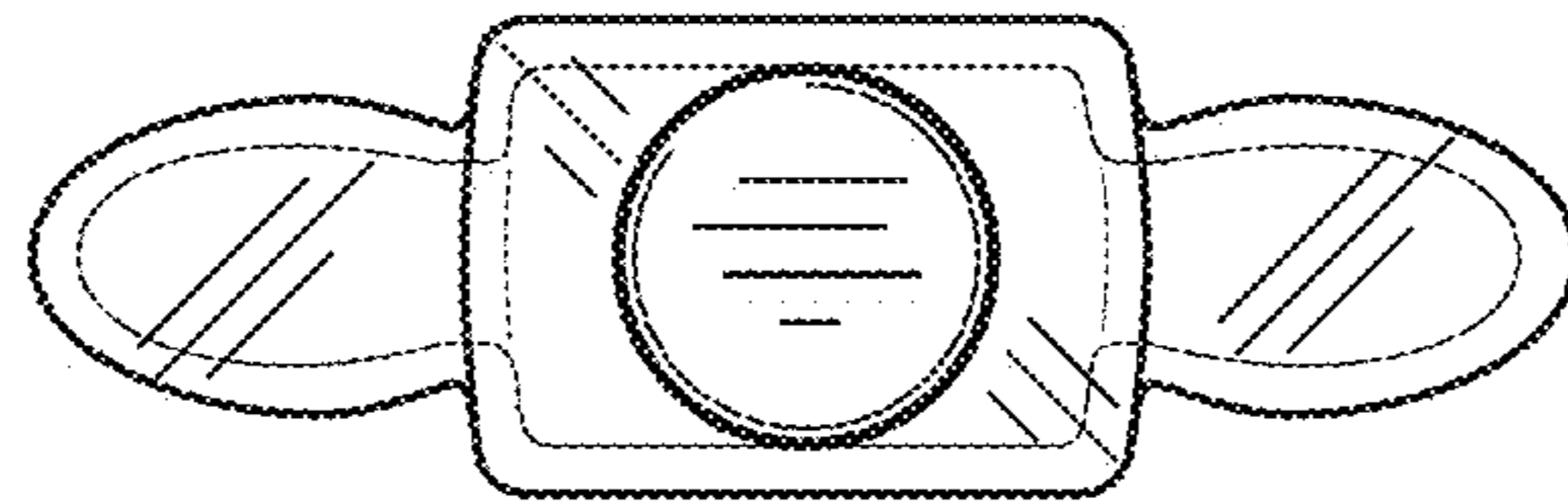


FIG. 5

