



US00D738733S

(12) **United States Design Patent**
Janeczek

(10) **Patent No.:** **US D738,733 S**

(45) **Date of Patent:** **** Sep. 15, 2015**

(54) **CONTAINER**

(71) Applicant: **Milacron LLC**, Batavia, OH (US)

(72) Inventor: **James D. Janeczek**, Tecumseh, MI (US)

(73) Assignee: **Milacron LLC**, Batavia, OH (US)

(**) Term: **14 Years**

(21) Appl. No.: **29/496,485**

(22) Filed: **Jul. 14, 2014**

(51) **LOC (10) Cl.** **09-01**

(52) **U.S. Cl.**

USPC **D9/531**

(58) **Field of Classification Search**

USPC D9/516, 520, 522, 530, 531, 536, 543,
D9/563, 564, 567, 572-574; 215/14, 214,
215/217, 223, 379, 382-385, 396, 398;
220/200, 890; 222/210, 212, 215

CPC B65D 1/02; B65D 1/46; B65D 23/10;
B65D 53/00; B65D 90/02

See application file for complete search history.

(56) **References Cited**

U.S. PATENT DOCUMENTS

D213,821	S *	4/1969	Platte	D9/531
D238,654	S *	2/1976	Platte	D9/520
D391,854	S	3/1998	Ankney et al.		
5,833,115	A *	11/1998	Eiten	220/669
D415,035	S	10/1999	Ankney et al.		
D427,076	S	6/2000	Ankney et al.		
D505,332	S *	5/2005	Zoller	D9/564
6,889,858	B2 *	5/2005	McCollum et al.	215/382
6,926,163	B2 *	8/2005	Darr et al.	215/396
D604,623	S *	11/2009	Baker, III	D9/531

D653,114	S *	1/2012	Rivera et al.	D9/531
D662,421	S *	6/2012	Dorn	D9/531
D669,357	S	10/2012	Dorn		
D678,072	S	3/2013	Lobbestael et al.		
D678,774	S	3/2013	Lobbestael et al.		
2003/0155324	A1 *	8/2003	McCollum et al.	215/382
2005/0082251	A1 *	4/2005	Darr et al.	215/396
2012/0241405	A1 *	9/2012	Lobbestael et al.	215/10

OTHER PUBLICATIONS

Container design of Silgan-Portola; containers according to the design commercially available at least as early as Jan. 1, 2014; no publication identified.

* cited by examiner

Primary Examiner — Derrick Holland

Assistant Examiner — Janice Lim

(57) **CLAIM**

The ornamental design for a container, as shown and described.

DESCRIPTION

FIG. 1 is a front perspective view of a container showing my design;

FIG. 2 is a rear perspective view thereof;

FIG. 3 is a left side perspective view thereof;

FIG. 4 is a right side perspective view thereof;

FIG. 5 is a top plan view thereof; and,

FIG. 6 is a bottom plan view thereof.

The broken line portions of FIGS. 5 and 6 are included to show unclaimed subject matter only and form no part of the claimed design.

1 Claim, 5 Drawing Sheets

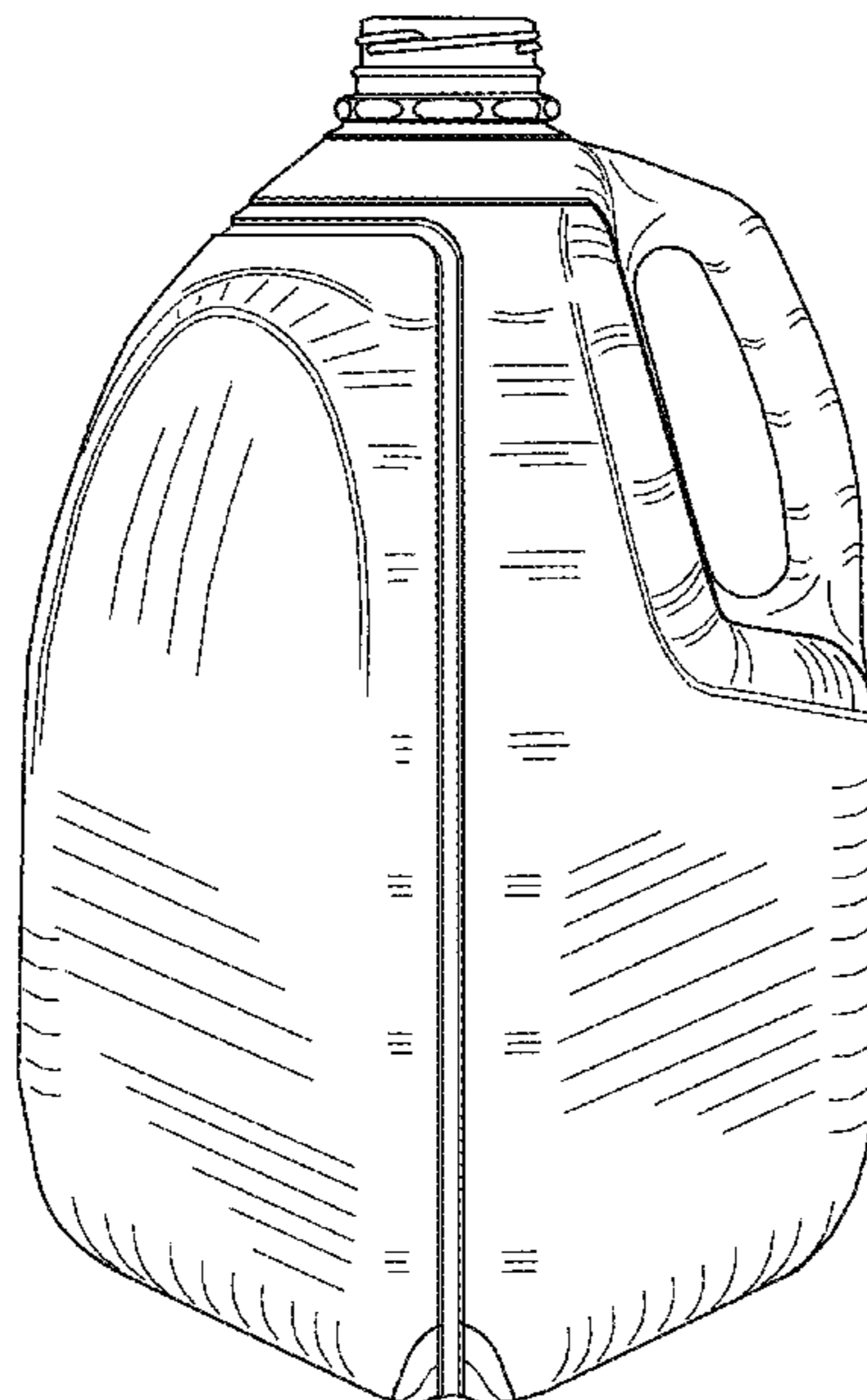


Fig. 1

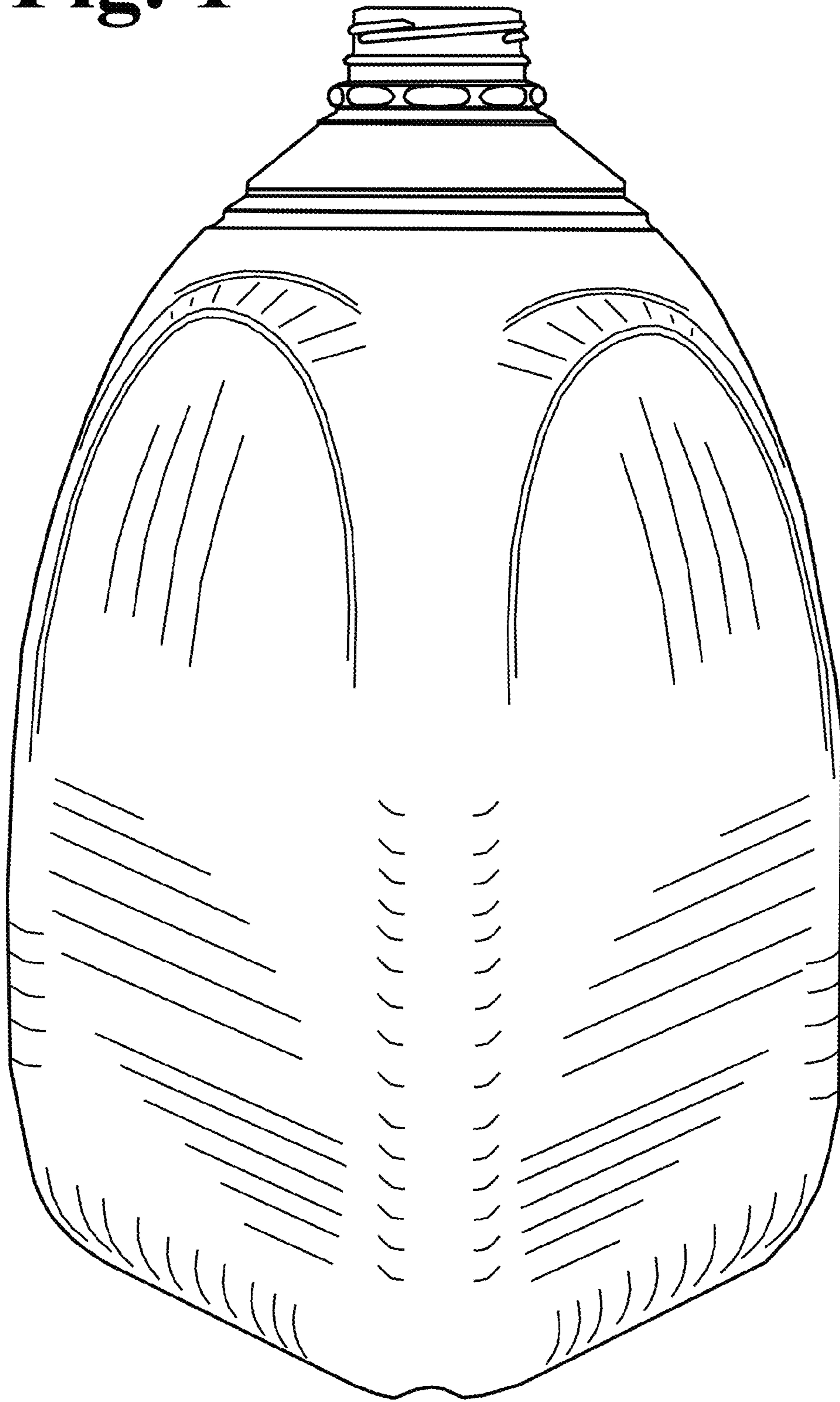


Fig. 2

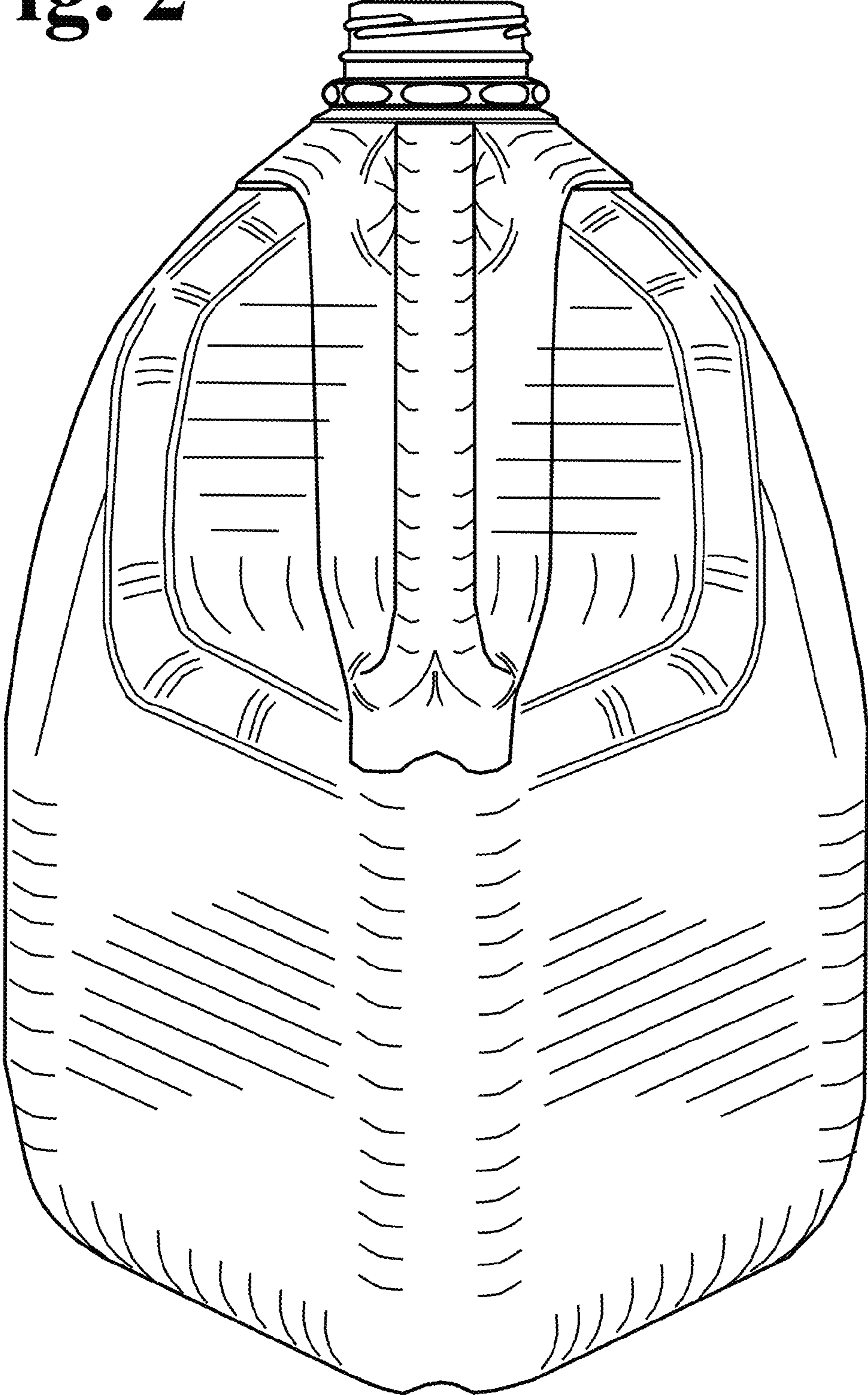


Fig. 3

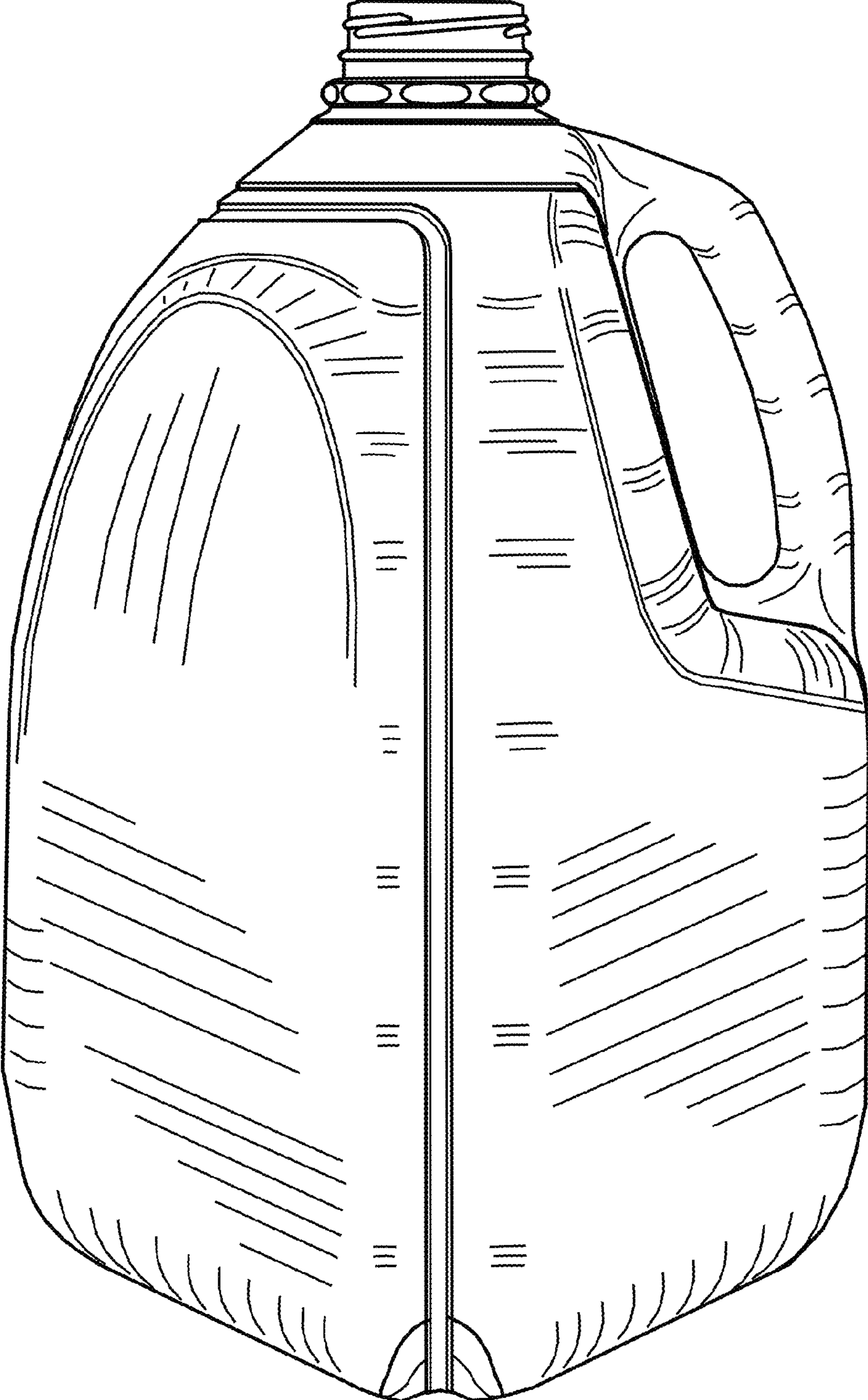


Fig. 4

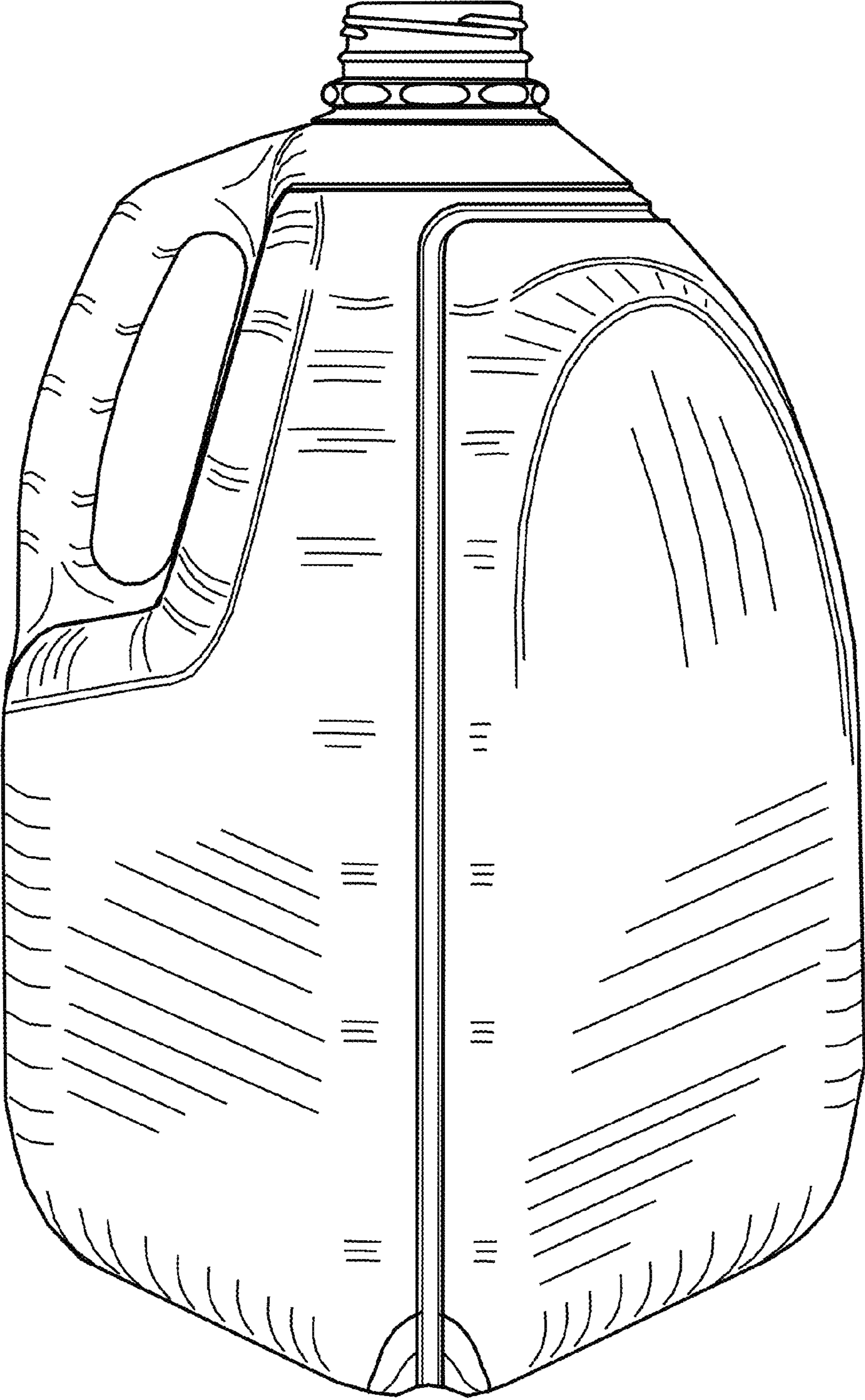


Fig. 5

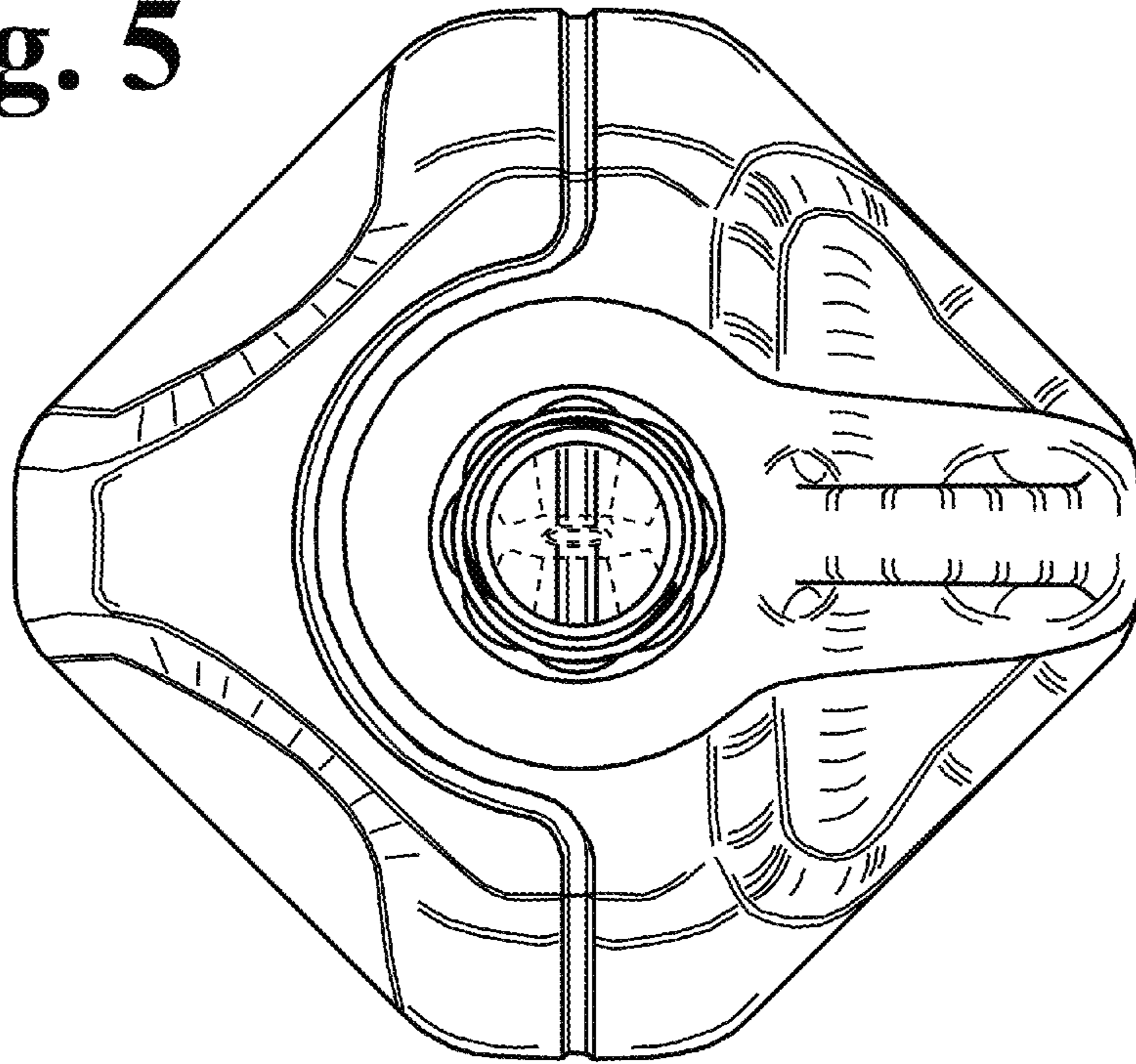


Fig. 6

