



US00D738732S

(12) **United States Design Patent**
Gelov

(10) **Patent No.:** **US D738,732 S**

(45) **Date of Patent:** **** *Sep. 15, 2015**

(54) **BOTTLE WITH CAP**

(75) Inventor: **Teodor Gelov**, Carmel, IN (US)

(73) Assignee: **TC Heartland LLC**, Carmel, IN (US)

(*) Notice: This patent is subject to a terminal disclaimer.

(**) Term: **14 Years**

(21) Appl. No.: **29/423,021**

(22) Filed: **May 25, 2012**

Related U.S. Application Data

(63) Continuation-in-part of application No. 29/407,664, filed on Nov. 30, 2011, now Pat. No. Des. 720,622.

(51) **LOC (10) Cl.** **09-01**

(52) **U.S. Cl.**

USPC **D9/529**; D9/539; D9/551; D9/553

(58) **Field of Classification Search**

USPC D9/682, 686-687, 693-694, 516,
D9/529-530, 537, 539-540, 542-543, 551,
D9/558, 574-575, 435, 449-450, 564;
215/381-384

See application file for complete search history.

(56) **References Cited**

U.S. PATENT DOCUMENTS

1,206,661 A	11/1916	Booth	
1,825,553 A	9/1931	Smith	
1,989,714 A	2/1935	Statham	
2,175,052 A	10/1939	Bull et al.	
D202,662 S *	10/1965	Williams	D9/529
3,231,155 A *	1/1966	McConnell	222/482
D211,316 S	6/1968	Kustermann	
3,490,488 A	1/1970	Grist	
3,907,145 A	9/1975	Horvath	
D240,829 S	8/1976	Jones et al.	
3,980,194 A	9/1976	Costa	

RE29,779 E	9/1978	Morris
4,375,859 A	3/1983	Fillmore
4,519,530 A	5/1985	Schmidt
4,524,876 A	6/1985	Kusz

(Continued)

FOREIGN PATENT DOCUMENTS

EP	0 395 380 B1	9/1993
EP	0 545 678 B1	2/1998

(Continued)

OTHER PUBLICATIONS

US Trademark Application, U.S. Appl. No. 85/255,306, filed Mar. 2, 2011.

(Continued)

Primary Examiner — Carol P Rademaker

(74) *Attorney, Agent, or Firm* — Leydig, Voit & Mayer, Ltd.; John Augustyn

(57) **CLAIM**

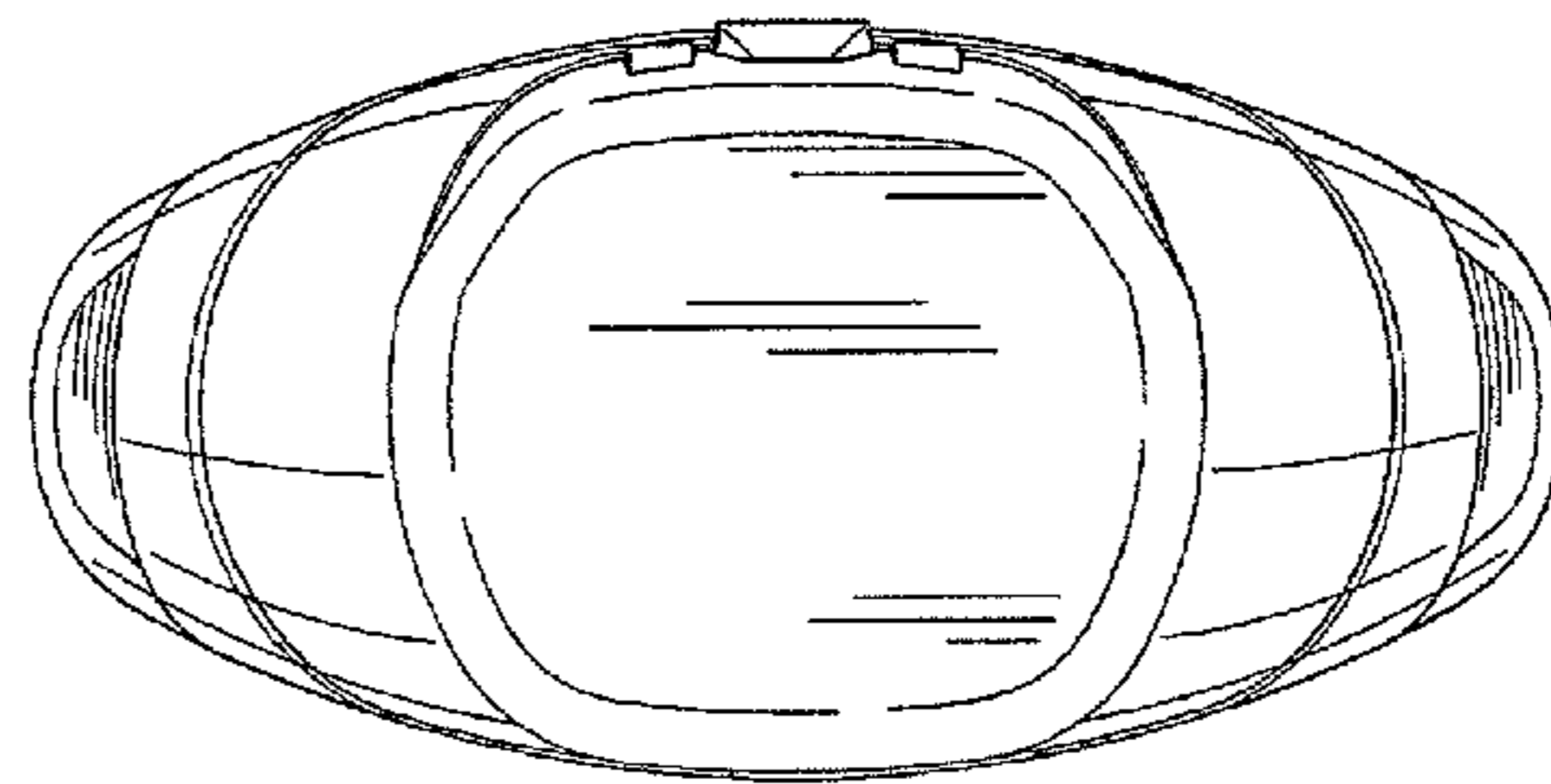
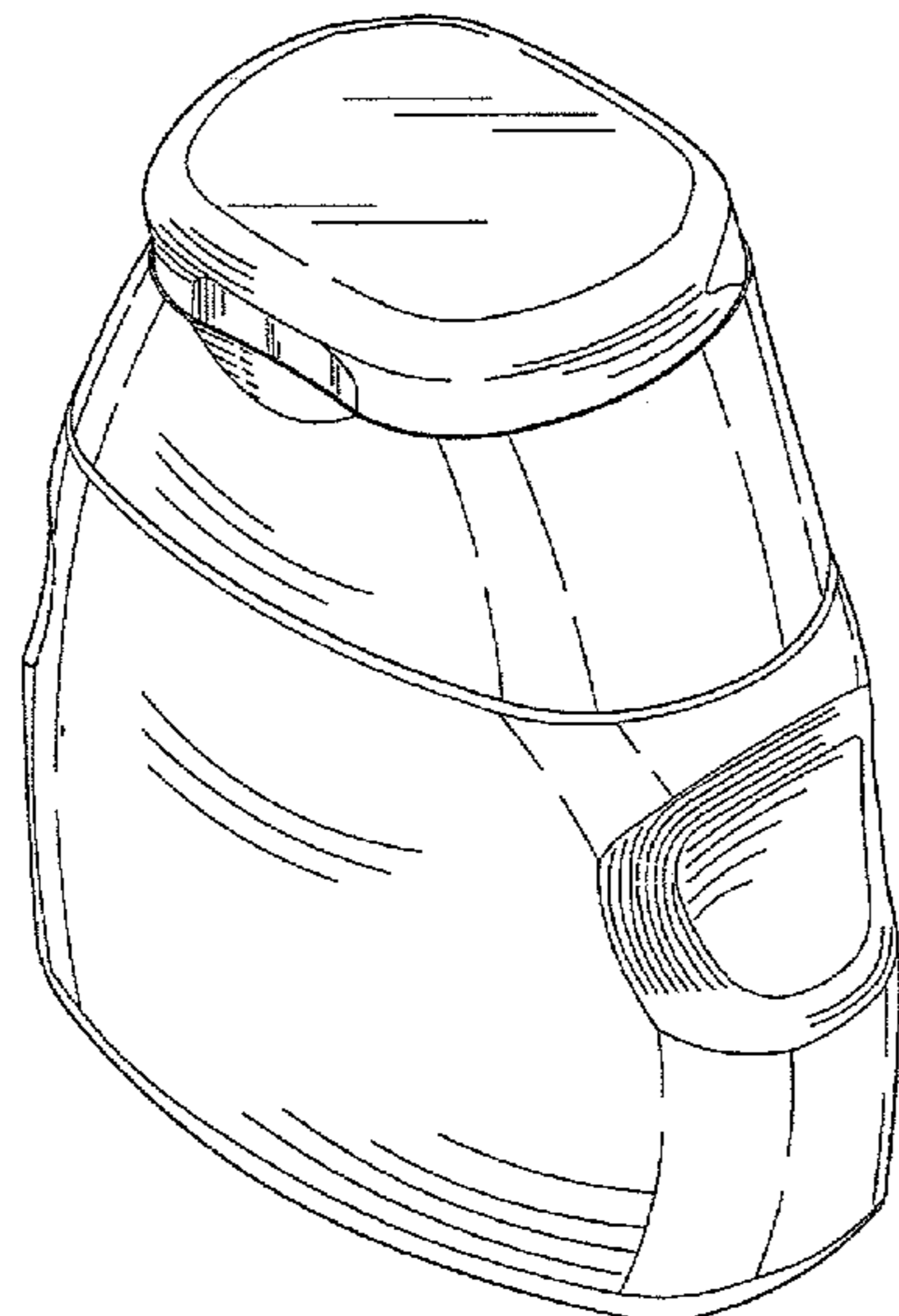
The ornamental design for a bottle and cap, as shown and described.

DESCRIPTION

FIG. 1 is a top, front, left side perspective view of a bottle with cap of the new design;
FIG. 2 is a top plan view thereof;
FIG. 3 is a bottom plan view thereof;
FIG. 4 is a front elevational view thereof;
FIG. 5 is a back elevational view thereof;
FIG. 6 is a right side front elevational view thereof; and,
FIG. 7 is a left side elevational view thereof.

The broken lines of the central portion of the bottom surface shown in the drawings are included for the purpose of illustrating environmental structure and form no part of the claimed design.

1 Claim, 4 Drawing Sheets



(56)

References Cited

U.S. PATENT DOCUMENTS

4,533,058	A	8/1985	Uhlig	
4,545,495	A	10/1985	Kinsley	
D285,659	S *	9/1986	Paulovich et al.	D9/574
4,625,898	A	12/1986	Hazard	
4,653,676	A	3/1987	Stull	
4,728,006	A	3/1988	Drobish et al.	
4,749,108	A	6/1988	Dornsbusch et al.	
4,793,501	A	12/1988	Beck	
4,793,502	A	12/1988	Beck	
4,801,054	A	1/1989	Nycz	
4,805,790	A	2/1989	Leonetti et al.	
4,991,745	A	2/1991	Brown	
5,033,655	A	7/1991	Brown	
5,038,974	A	8/1991	DaCosta	
5,071,017	A	12/1991	Stull	
5,097,974	A	3/1992	Rozenberg	
5,115,950	A	5/1992	Rohr	
5,213,236	A	5/1993	Brown et al.	
D336,614	S	6/1993	Crawford	
5,292,017	A	3/1994	Reifers	
D347,389	S	5/1994	Crawford	
D349,058	S	7/1994	Farce	
5,339,995	A	8/1994	Brown et al.	
5,377,877	A	1/1995	Brown et al.	
D356,038	S *	3/1995	Biesecker	D9/558
5,409,144	A	4/1995	Brown	
5,439,143	A	8/1995	Brown et al.	
5,588,546	A	12/1996	Farside	
D379,930	S *	6/1997	Gobe	D9/539
D380,389	S	7/1997	Crawford	
5,642,824	A	7/1997	Hess, III et al.	
D391,855	S	3/1998	Fenton et al.	
D392,193	S	3/1998	Crawford	
5,743,443	A	4/1998	Hins	
D398,530	S	9/1998	Gavin	
5,839,614	A	11/1998	Brown	
D407,316	S *	3/1999	Zaksenberg	D9/543 X
5,904,275	A	5/1999	Suffa	
D412,121	S	7/1999	Crawford	
5,927,566	A	7/1999	Mueller	
D413,268	S	8/1999	Crawford	
5,936,208	A	8/1999	Hamery	
5,944,234	A	8/1999	Lampe et al.	
D414,425	S	9/1999	Crawford	
5,954,237	A	9/1999	Lampe et al.	
6,062,436	A	5/2000	Fuchs	
6,065,642	A	5/2000	Brown	
6,070,693	A	6/2000	Hamery	
D428,344	S *	7/2000	Preston	D9/564 X
6,112,951	A	9/2000	Mueller	
D433,333	S	11/2000	Kokenge et al.	
6,152,320	A	11/2000	Hierzer et al.	
D436,317	S *	1/2001	Jones et al.	D9/558
D437,559	S *	2/2001	Fenton et al.	D9/558
6,191,691	B1	2/2001	Serrault	
D438,459	S *	3/2001	Holthaus	D9/728
D439,165	S	3/2001	Erckelbout et al.	
6,230,940	B1	5/2001	Manning et al.	
6,269,986	B1	8/2001	Gross	
6,273,296	B1	8/2001	Brown	
6,279,783	B1	8/2001	Brown et al.	
D447,953	S	9/2001	Brynstad et al.	
6,293,437	B1	9/2001	Socier et al.	
D449,536	S *	10/2001	Kokubo et al.	D9/529
6,321,923	B1	11/2001	Wood	
6,371,340	B1	4/2002	Pateman et al.	
6,405,901	B1	6/2002	Schantz et al.	
D459,659	S	7/2002	Chung	
D460,348	S *	7/2002	Crawford et al.	D9/682
6,427,874	B2	8/2002	Brown et al.	
D463,280	S	9/2002	Brozell	
D463,744	S	10/2002	Brozell	
D463,747	S	10/2002	Peon et al.	
D463,983	S *	10/2002	Wendt et al.	D9/574 X
6,460,726	B1	10/2002	Hierzer et al.	
D471,818	S	3/2003	Weber	
6,530,504	B2	3/2003	Socier	
6,543,652	B1	4/2003	Kelder et al.	
D480,008	S	9/2003	Maus	
6,616,012	B2	9/2003	Dark	
D482,286	S	11/2003	Samson et al.	
D484,808	S	1/2004	Thierjung et al.	
6,672,487	B1	1/2004	Lohrman	
D486,065	S	2/2004	Hutchinson et al.	
D488,383	S	4/2004	Kudo et al.	
D489,626	S *	5/2004	Pitassi	D9/542
6,769,577	B1	8/2004	Feierabend	
D496,284	S *	9/2004	Bain	D9/542
6,786,363	B1	9/2004	Lohrman	
D497,810	S	11/2004	Maus	
D498,144	S *	11/2004	Illenberger et al.	D9/549
D498,415	S	11/2004	Schuller et al.	
D498,680	S *	11/2004	Cleary	D9/542
6,821,239	B2	11/2004	Hierzer et al.	
D503,626	S	4/2005	Maus	
D504,320	S	4/2005	Maus	
D506,140	S	6/2005	Maus	
6,910,607	B2	6/2005	Gaiser et al.	
D510,029	S *	9/2005	Marcot	D9/529
6,951,295	B1	10/2005	Gaus et al.	
D511,970	S *	11/2005	Cleary	D9/542
D523,754	S *	6/2006	Williams	D9/558
7,077,296	B2	7/2006	Brown et al.	
D527,640	S	9/2006	Cummings et al.	
D529,810	S	10/2006	Davies et al.	
D529,812	S	10/2006	Ratzlaff	
7,128,245	B2	10/2006	Lee	
D535,565	S *	1/2007	Pitassi	D9/530
D536,253	S *	2/2007	Howes et al.	D9/529
D538,668	S	3/2007	Campbell et al.	
D539,155	S *	3/2007	Steinmann	D9/530
7,198,180	B2	4/2007	Foster et al.	
D542,141	S	5/2007	Okin et al.	
D543,115	S	5/2007	Flurer et al.	
D544,351	S	6/2007	Dittmer et al.	
D545,201	S *	6/2007	Pitassi	D9/516 X
D547,190	S	7/2007	Kuzma et al.	
D548,097	S *	8/2007	Whipple	D9/541
7,255,250	B2	8/2007	Pugne	
7,281,638	B2	10/2007	Hierzer et al.	
7,398,900	B2	7/2008	Friedman	
D574,246	S	8/2008	Russell et al.	
D580,767	S	11/2008	Okin et al.	
D581,794	S	12/2008	Haubert, III et al.	
D585,290	S	1/2009	Toh	
D587,117	S	2/2009	Crawford	
D588,459	S	3/2009	Davis et al.	
D588,460	S	3/2009	Davis et al.	
D588,462	S	3/2009	Davis et al.	
7,503,469	B2	3/2009	Bloom et al.	
7,510,095	B2	3/2009	Comeau et al.	
D592,957	S	5/2009	Davis et al.	
D598,752	S	8/2009	Wilson et al.	
D601,899	S	10/2009	Davis et al.	
D602,356	S	10/2009	Shurtleff et al.	
D604,628	S	11/2009	Schultz	
7,637,402	B2	12/2009	Romanov et al.	
D607,738	S *	1/2010	Kuzma et al.	D9/542
D607,742	S *	1/2010	Kuzma et al.	D9/574 X
D609,098	S	2/2010	Almstead, Jr. et al.	
D610,022	S	2/2010	Kanfer et al.	
7,681,750	B2	3/2010	Jäckel	
D613,176	S *	4/2010	Gameros et al.	D9/574 X
7,699,193	B2	4/2010	Feierabend	
7,717,281	B2	5/2010	Baudin	
7,731,042	B2	6/2010	Blomdahl et al.	
7,735,699	B2	6/2010	Brannon et al.	
D621,260	S	8/2010	Brannon et al.	
7,784,652	B2	8/2010	Gaus et al.	
7,789,254	B2	9/2010	Geho	
7,810,663	B2	10/2010	Young	
D628,490	S *	12/2010	Sato et al.	D9/529
D629,685	S	12/2010	Brannon et al.	
7,857,155	B2	12/2010	Roberts et al.	

(56)

References Cited

U.S. PATENT DOCUMENTS

7,861,393 B2 1/2011 Pugne
 7,870,980 B2 1/2011 Wilson et al.
 D632,962 S 2/2011 Traldi
 D635,023 S 3/2011 Stolle
 D635,860 S 4/2011 Sahu et al.
 D638,713 S 5/2011 de Cleir et al.
 D638,714 S 5/2011 de Cleir et al.
 D638,715 S 5/2011 Albaum et al.
 D644,530 S * 9/2011 Padain et al. D9/435 X
 D644,531 S * 9/2011 Padain et al. D9/529
 D646,171 S * 10/2011 Howell et al. D9/551 X
 8,511,472 B2 * 8/2013 Dupuis et al. 206/497
 D690,202 S * 9/2013 Beck et al. D9/575 X
 2001/0025862 A1 10/2001 Brown et al.
 2004/0251278 A1 12/2004 Arai
 2007/0023453 A1 2/2007 Simkins
 2007/0102455 A1 5/2007 Stark et al.
 2007/0253761 A1 11/2007 May
 2007/0289651 A1 12/2007 Brown et al.
 2008/0237271 A1 10/2008 Olechowski
 2008/0264961 A1 10/2008 Sawyer
 2008/0264979 A1 10/2008 Nijland et al.
 2009/0212078 A1 8/2009 Gaus
 2009/0236339 A1 9/2009 Blomdahl
 2011/0062107 A1 3/2011 Goto et al.

FOREIGN PATENT DOCUMENTS

EP 0 794 127 B1 6/2000
 EP 0 794 126 B1 8/2001

EP 0 869 912 B1 3/2004
 EP 0 994 047 B1 8/2004
 EP 1 426 303 B1 11/2008
 WO WO 2011/031985 A2 3/2011

OTHER PUBLICATIONS

US Trademark Application, U.S. Appl. No. 85/162,307, filed Oct. 27, 2010.
 US Trademark Application, U.S. Appl. No. 77/721,823, filed Apr. 24, 2009.
 US Trademark Application, U.S. Appl. No. 76/631,970, filed Feb. 23, 2005.
 US Trademark Application, U.S. Appl. No. 85/210,327, filed Jan. 4, 2011.
 US Trademark Application, U.S. Appl. No. 78/511,541, filed Nov. 4, 2004.
 US Trademark Application, U.S. Appl. No. 77/650,343, filed Jan. 15, 2009.
 US Trademark Application, U.S. Appl. No. 75/787,682, filed Aug. 30, 1999.
 US Trademark Application, U.S. Appl. No. 73/533,810, filed Apr. 24, 1985.
 US Trademark Application, U.S. Appl. No. 79/085,936, filed Jun. 7, 2010.
 US Trademark Application, U.S. Appl. No. 78/863,997, filed Apr. 18, 2006.
 US Trademark Application, U.S. Appl. No. 75/336,316, filed Aug. 5, 1997.
 Six photographs of bottle for Mio Liquid Water Enhancer, 1.62 fl. oz. size, Kraft Foods Global, Inc., available on May 2011.

* cited by examiner

FIG. 1

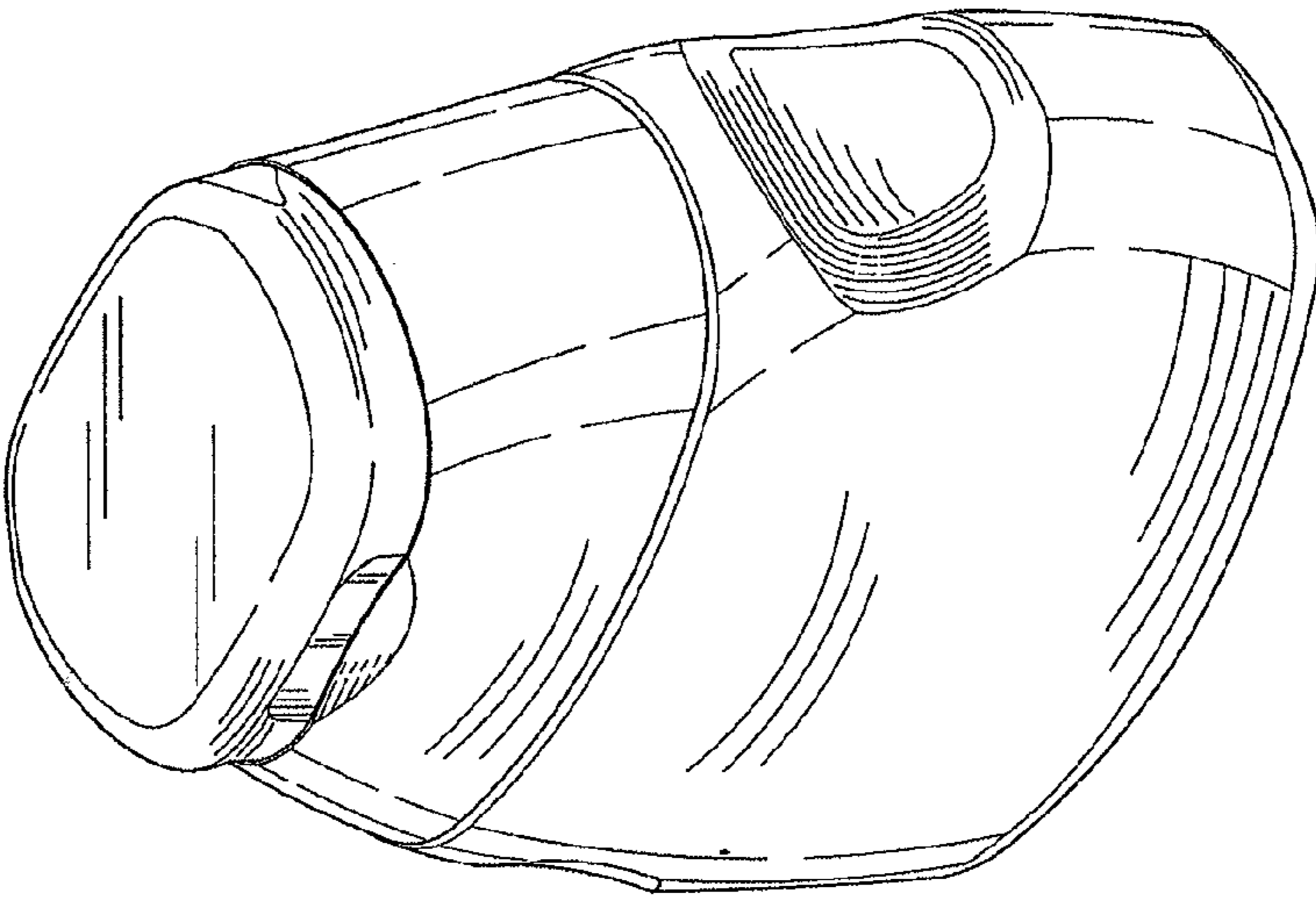


FIG. 2

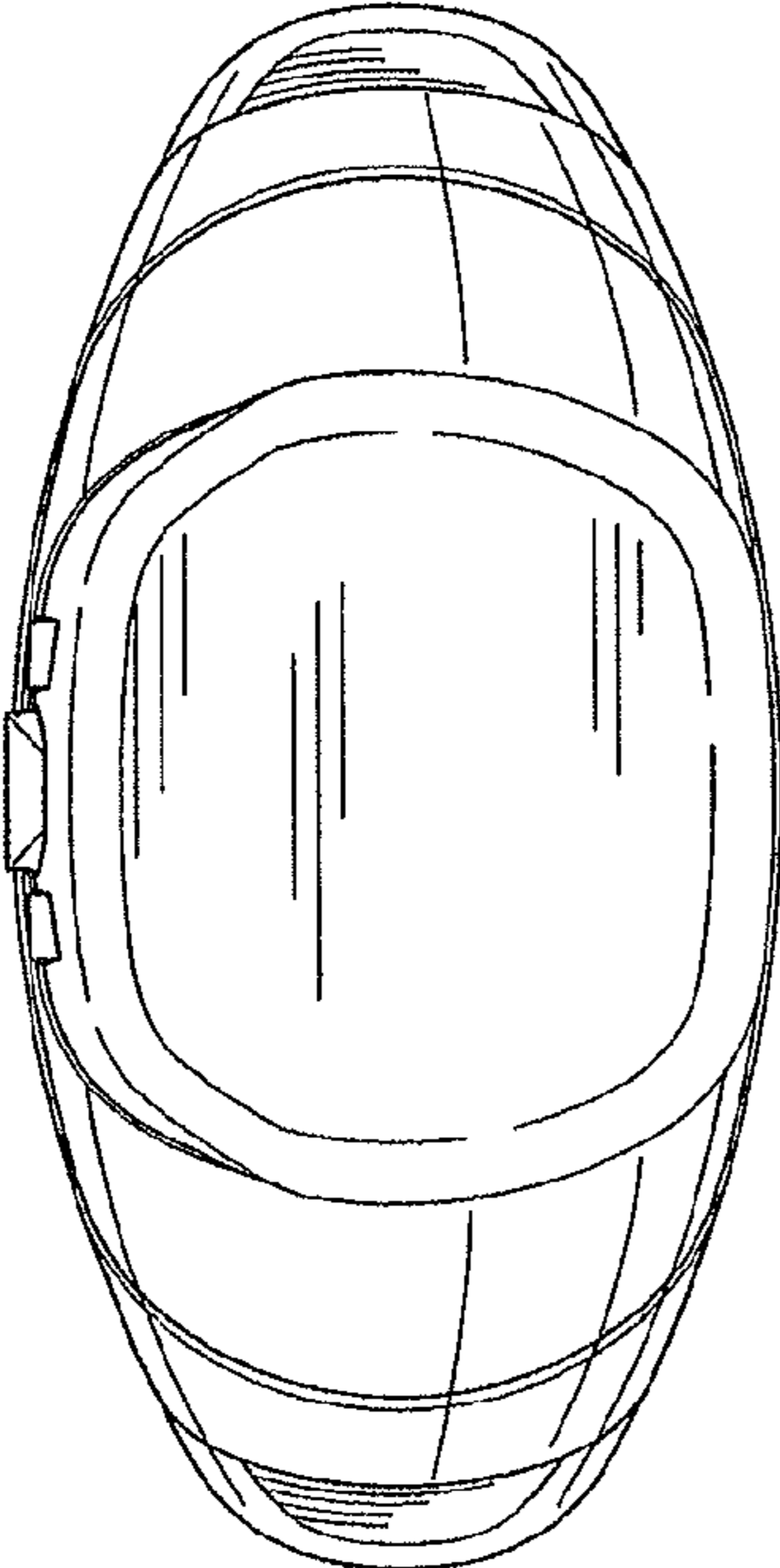


FIG. 3

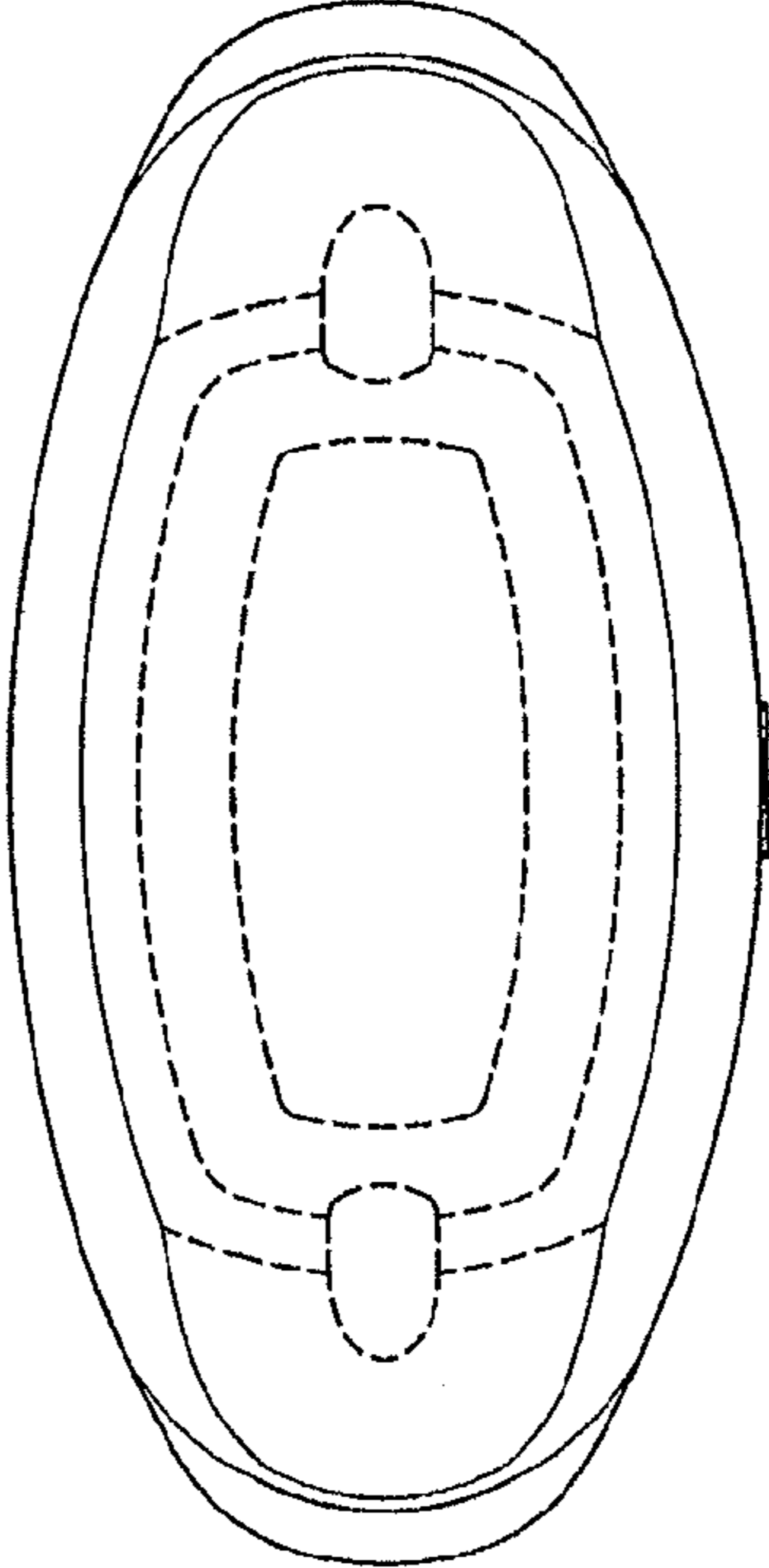


FIG. 5

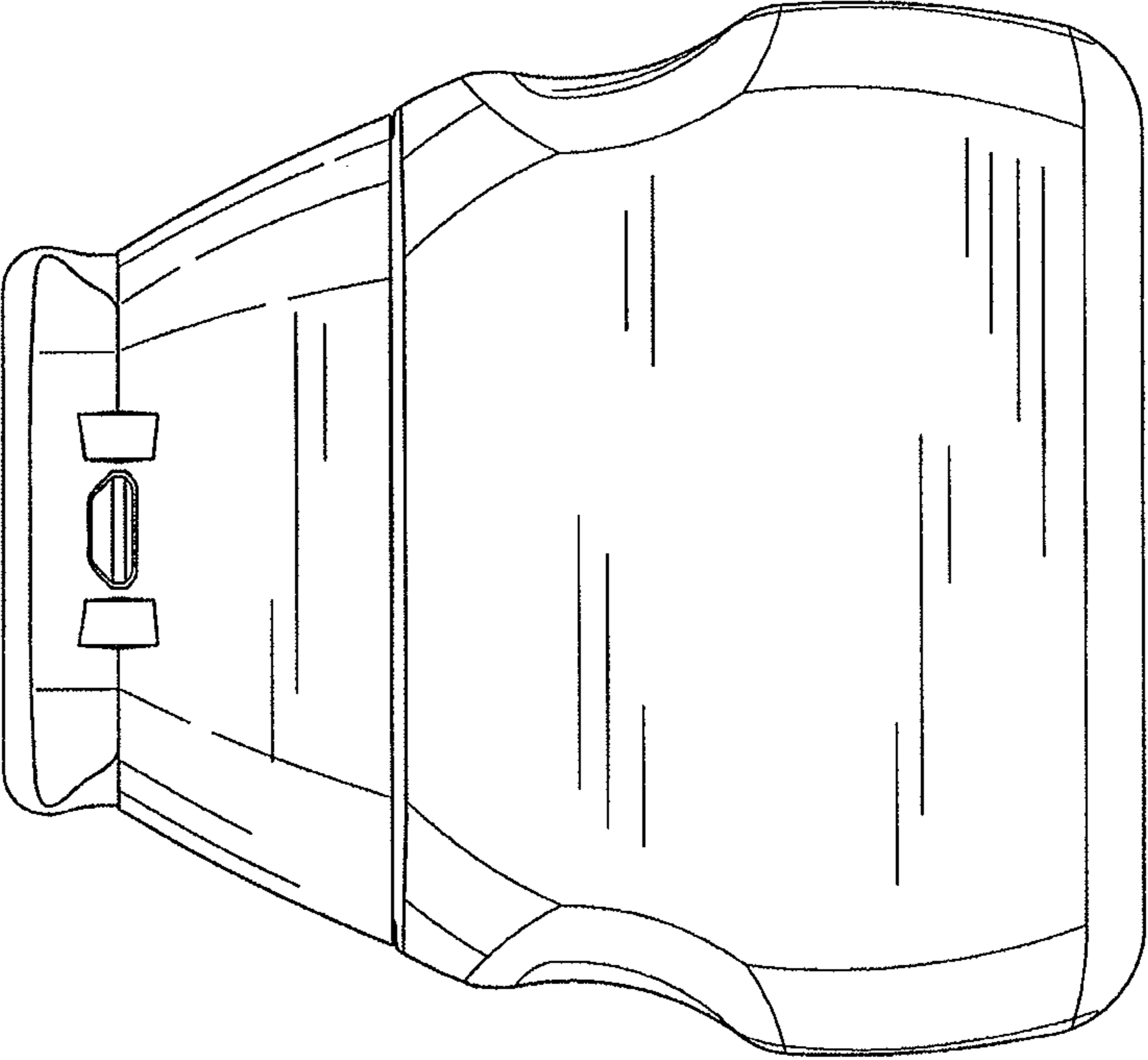


FIG. 4

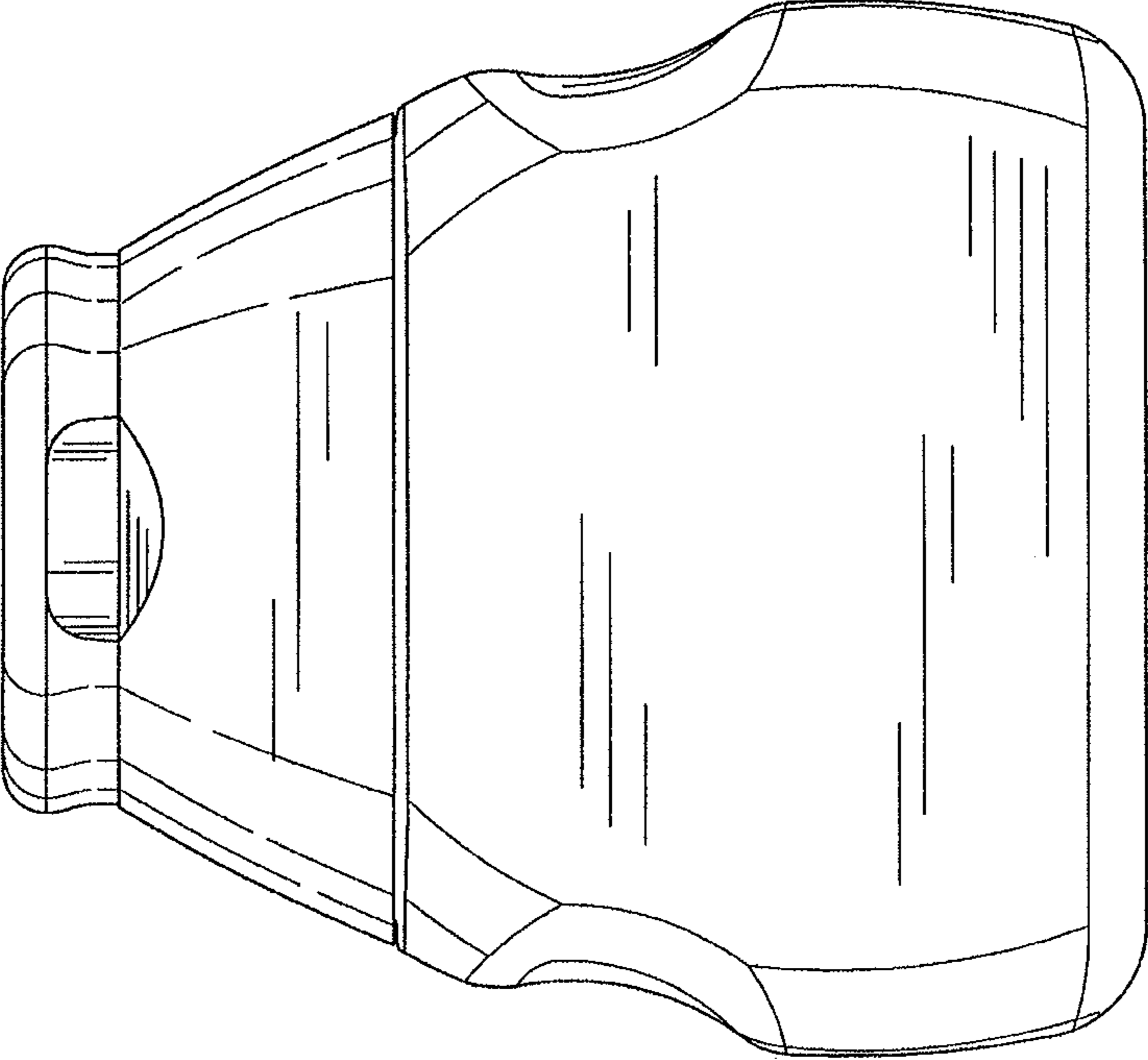


FIG. 7

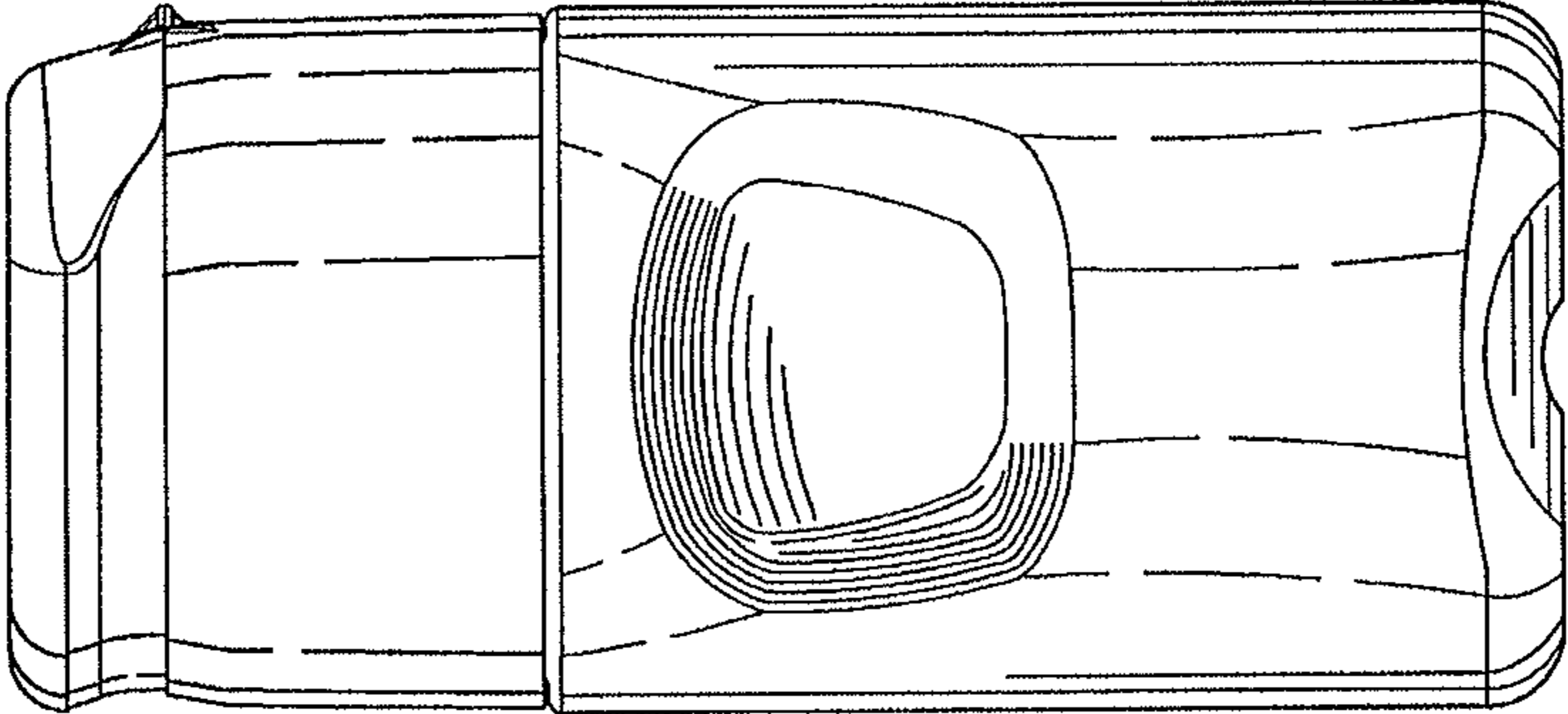


FIG. 6

