



US00D738727S

(12) **United States Design Patent**
McConnell

(10) **Patent No.:** **US D738,727 S**

(45) **Date of Patent:** **** Sep. 15, 2015**

(54) **SEGMENTED END, ZIPPER OPENING, FLAT DISC WEIGHTED BOTTLE COVER**

(71) Applicant: **Deborah McConnell**, Fayetteville, AR (US)

(72) Inventor: **Deborah McConnell**, Fayetteville, AR (US)

(**) Term: **14 Years**

(21) Appl. No.: **29/493,257**

(22) Filed: **Jun. 6, 2014**

(51) **LOC (10) Cl.** **09-99**

(52) **U.S. Cl.**
USPC **D9/499**

(58) **Field of Classification Search**

USPC D7/300, 321, 392.1, 396.1, 396.2, 500, D7/507, 509, 510, 511, 900, 605-608, D7/624.3; D9/434-455, 524, 682, 685, D9/694, 695, 697, 723; D28/63, 76; 215/200, 235, 236, 252, 254, 329, 215/355-364; 220/203.04-203.07, 220, 220/254.1, 254.4, 556, 703-705

See application file for complete search history.

(56) **References Cited**

U.S. PATENT DOCUMENTS

4,871,597	A *	10/1989	Hobson	428/36.1
D348,356	S *	7/1994	Nemoto	D3/267
5,915,580	A *	6/1999	Melk	215/386
D421,366	S *	3/2000	Mogil	D7/625
6,073,796	A *	6/2000	Mogil	220/592.17
D432,873	S *	10/2000	Fair	D7/624.3
D470,310	S *	2/2003	Walley et al.	D7/624.3

D567,031	S *	4/2008	Zacharias et al.	D7/624.3
D614,001	S *	4/2010	Welch	D7/605
D666,060	S *	8/2012	Welch	D7/606
D701,433	S *	3/2014	Ahlstrom	D7/608
D714,100	S *	9/2014	Hiner	D7/607

* cited by examiner

Primary Examiner — Robert M Spear

Assistant Examiner — Marissa J Cash

(74) *Attorney, Agent, or Firm* — Keisling & Pieper PLC; David B. Pieper

(57) **CLAIM**

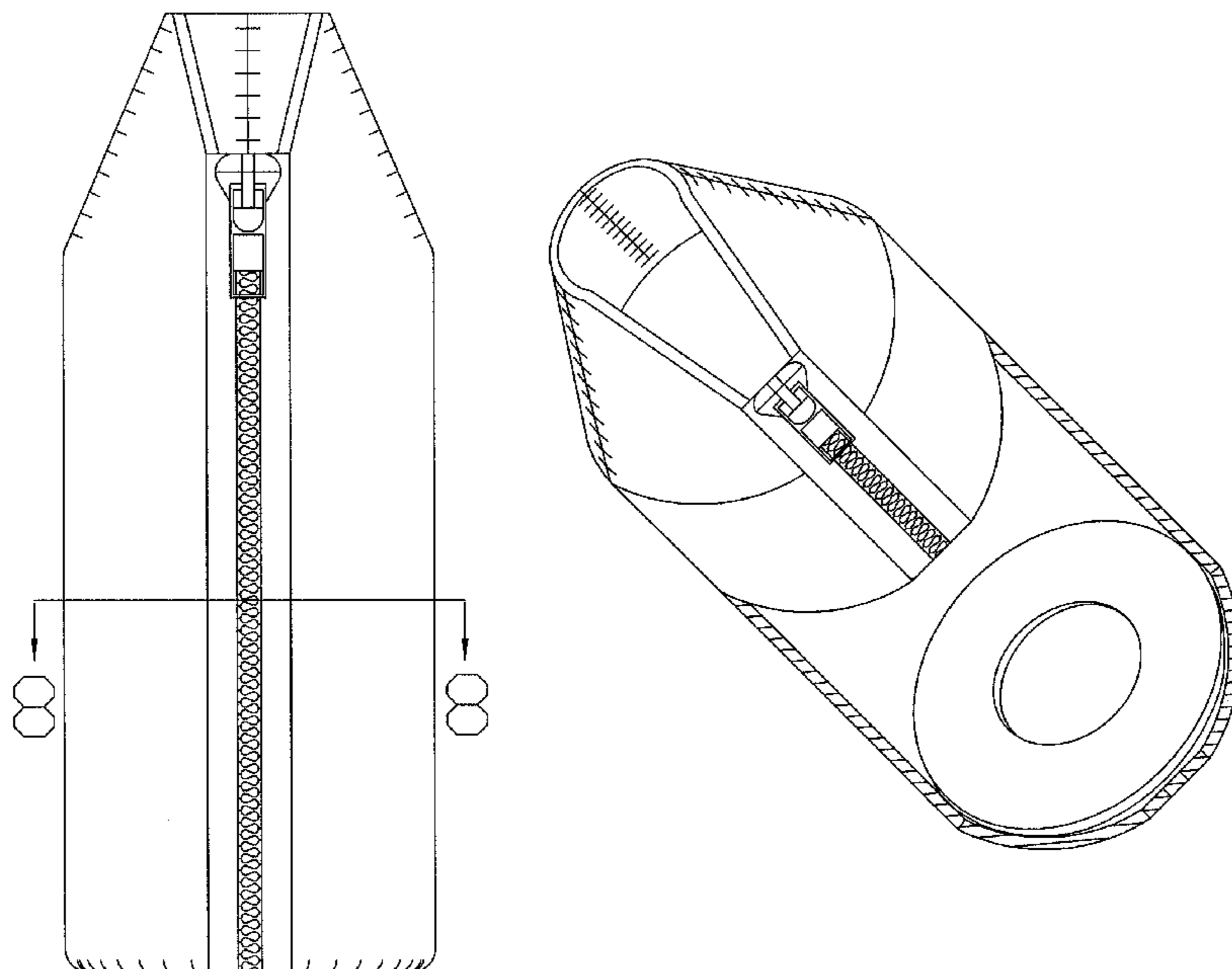
The ornamental design for a segmented end, zipper opening, flat disc weighted bottle cover, as shown and described.

DESCRIPTION

FIG. 1 is a top view of a segmented end, zipper opening, flat disc weighted bottle cover showing my new design;
 FIG. 2 is a top isometric view thereof;
 FIG. 3 is left side view thereof;
 FIG. 4 is a front view thereof, with an indicator for the internal cutaway view and dashed lines showing the material thickness and bottom disc placement;
 FIG. 5 is a right side view thereof;
 FIG. 6 is a back view thereof with dashed lines showing the bottom disc placement;
 FIG. 7 is a bottom view thereof;
 FIG. 8 is a partial cross sectional view to show the internal weighted disc of FIG. 8; and,
 FIG. 9 is a top isometric view with the bottom of the front cutaway to show the internal disc placement.

The broken lines in the drawings represent unclaimed environmental subject matter and form no part of the claim.

1 Claim, 6 Drawing Sheets



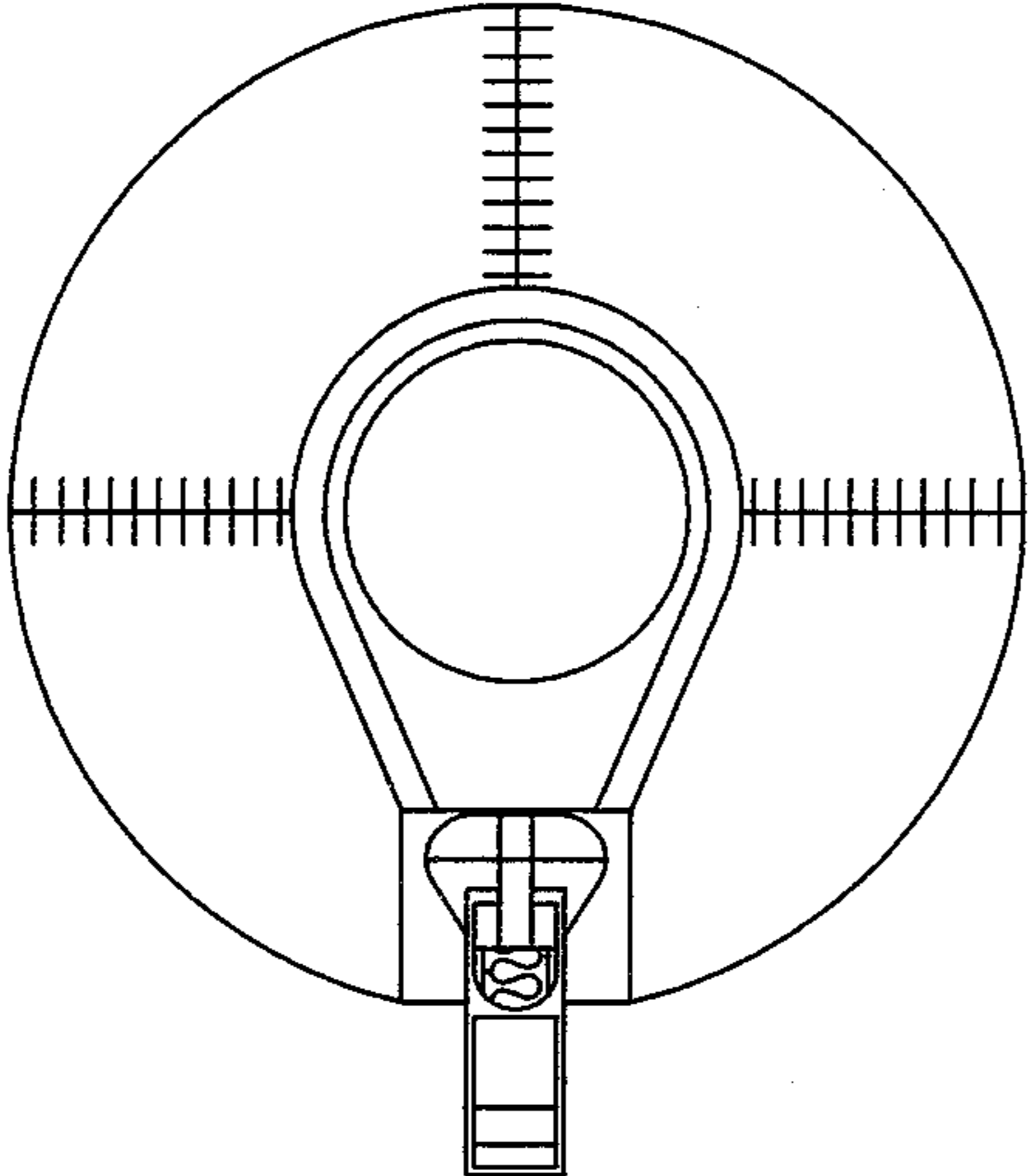


FIG. 1

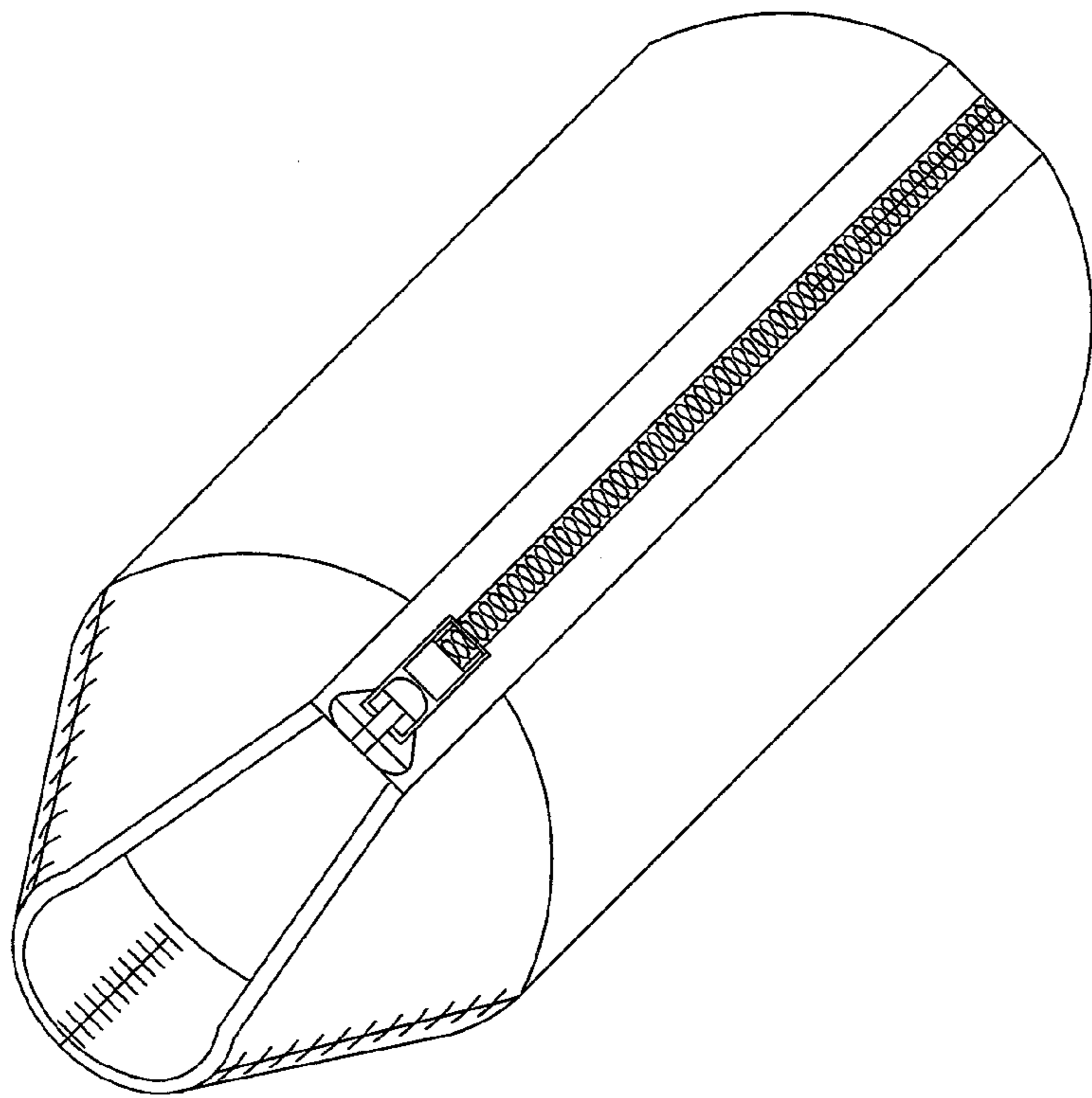


FIG. 2

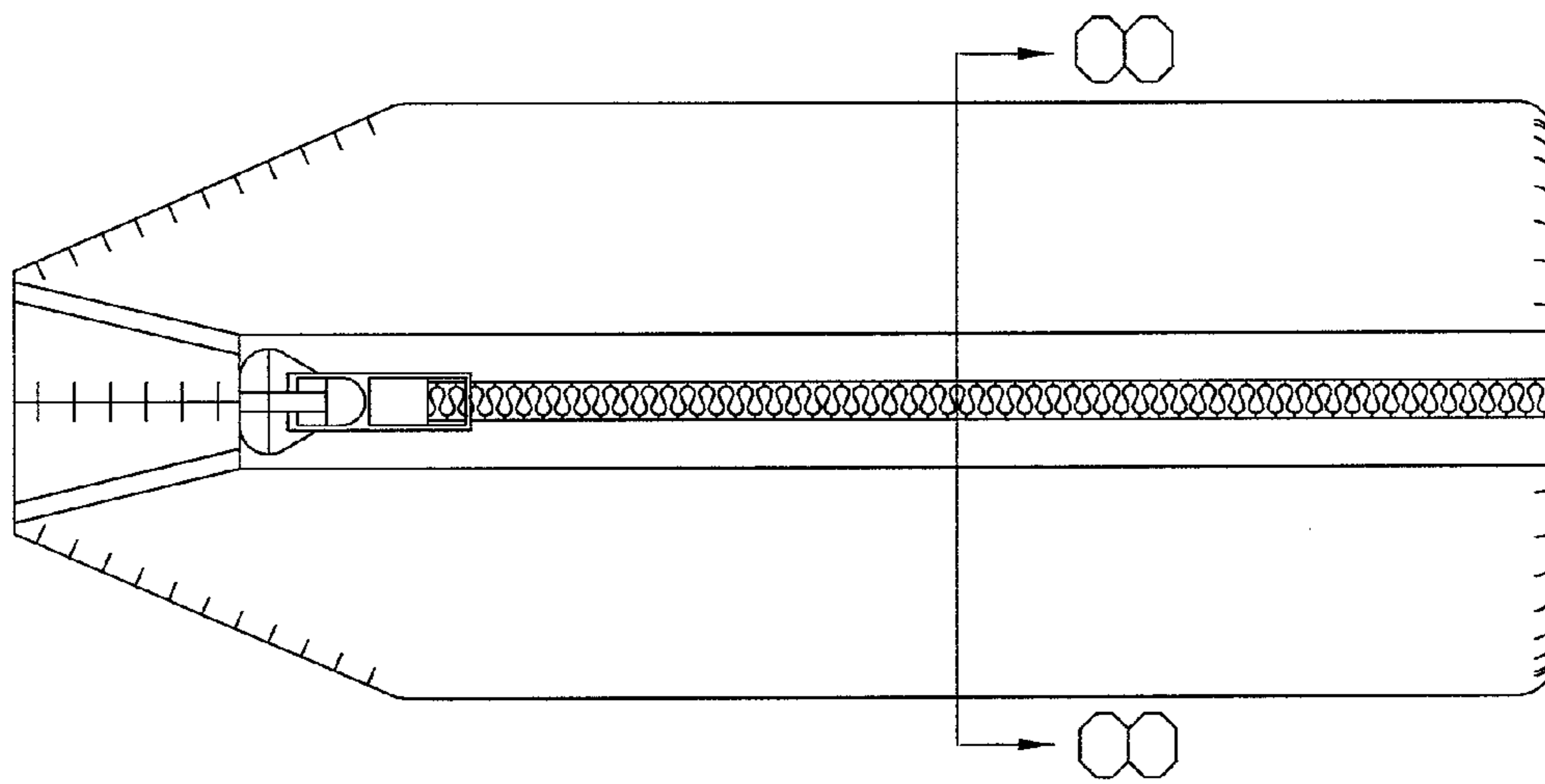


FIG. 4

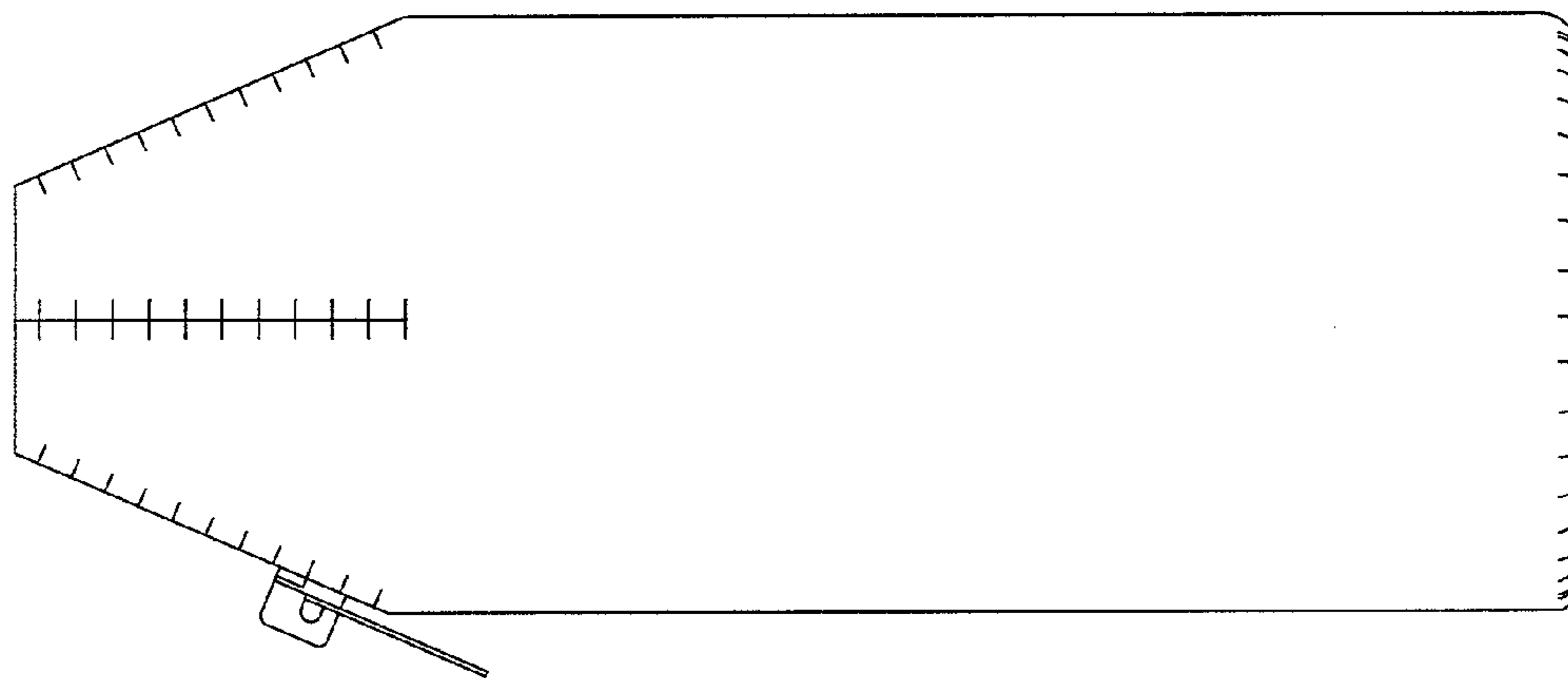


FIG. 3

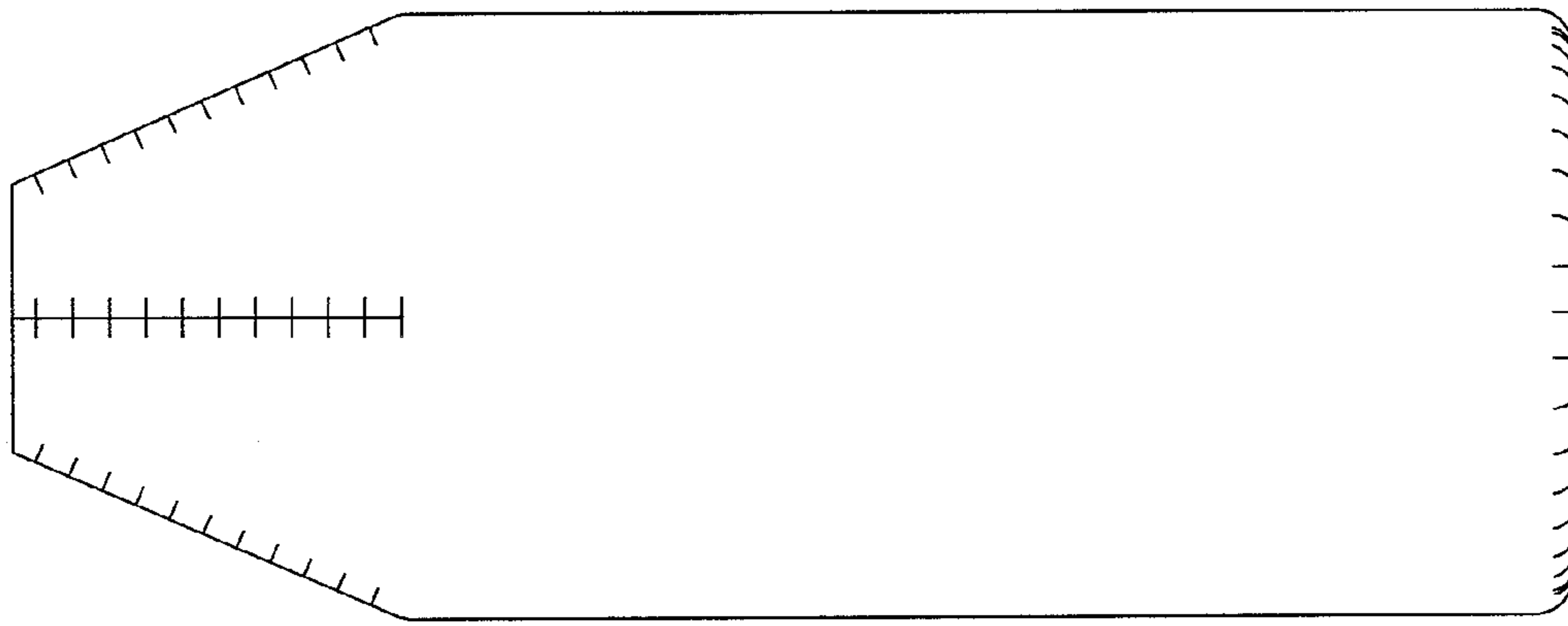


FIG. 6

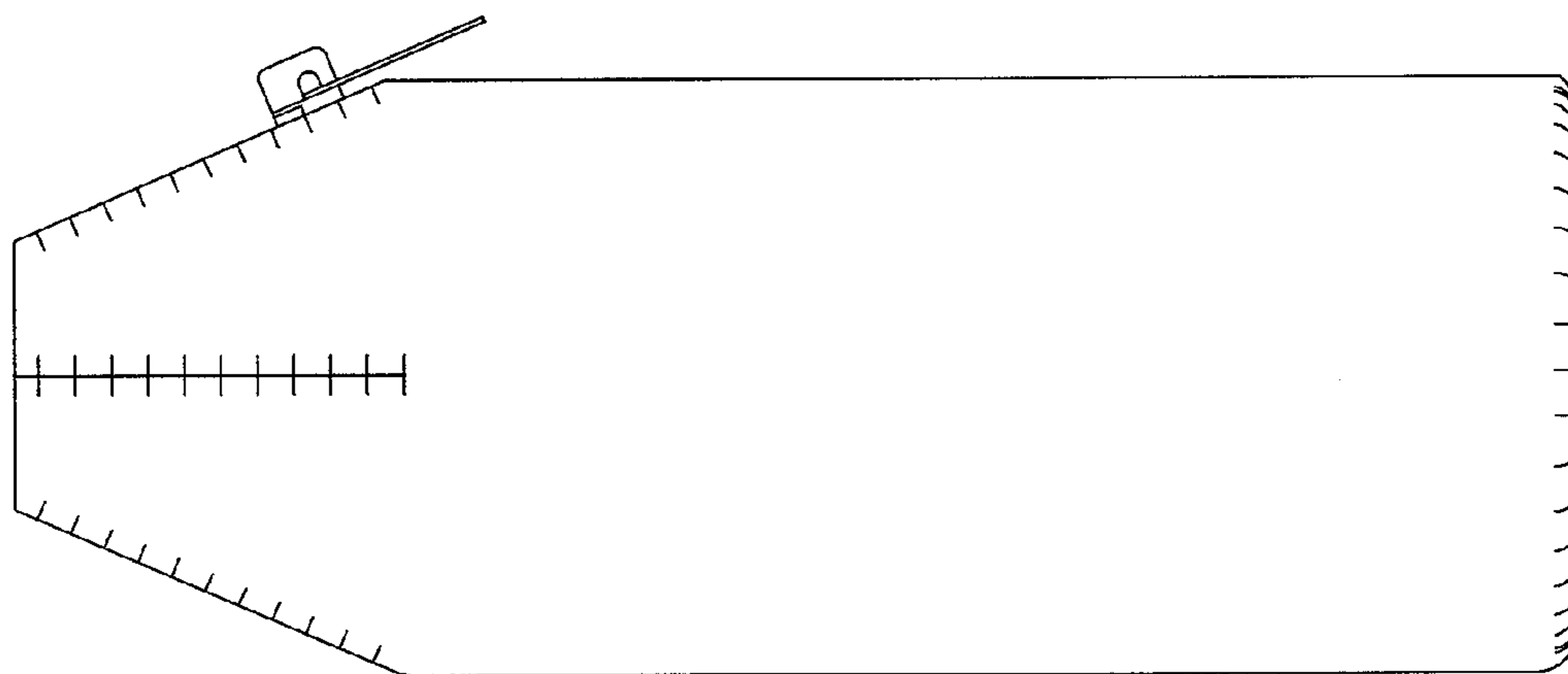


FIG. 5

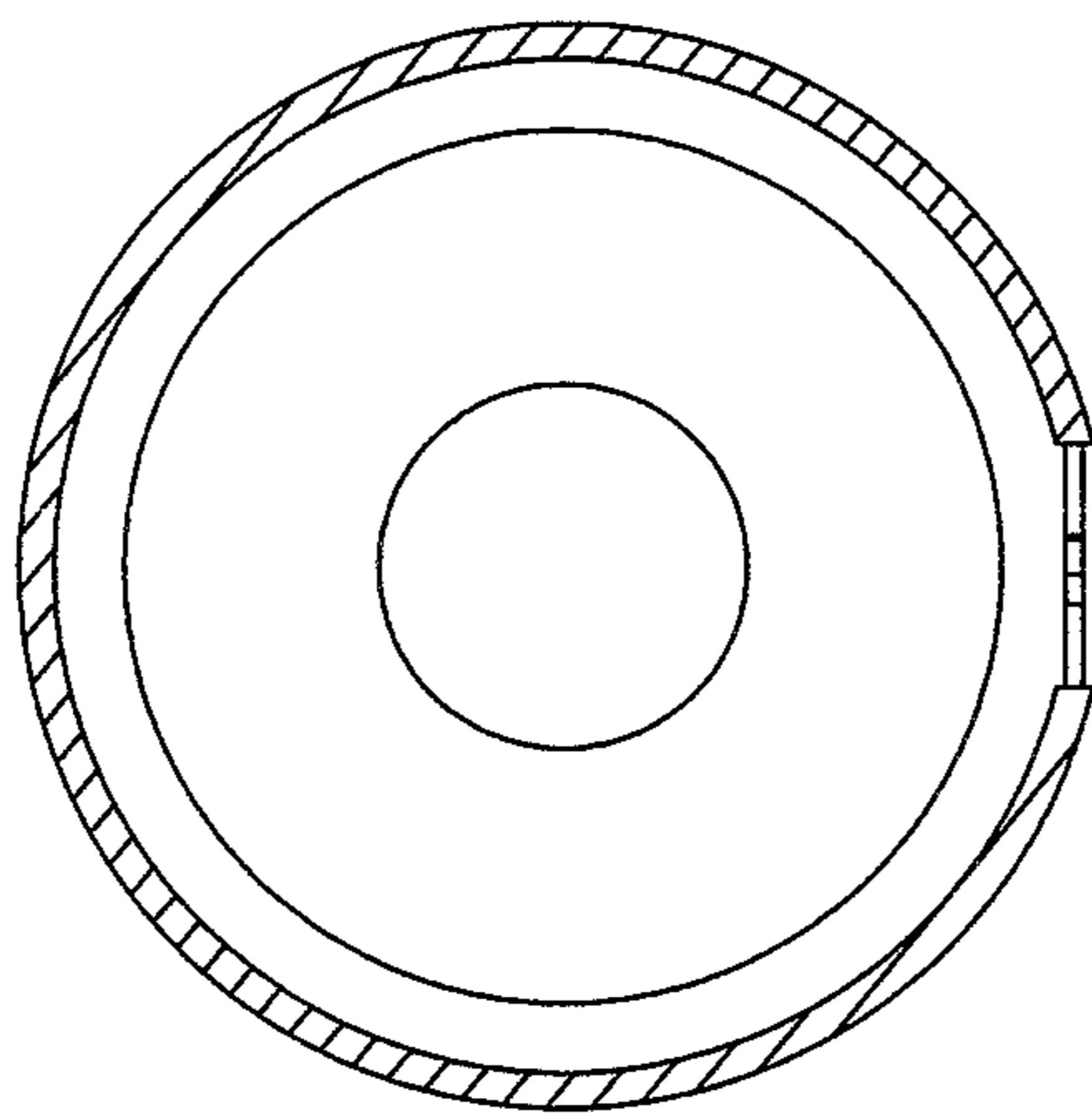


FIG. 8

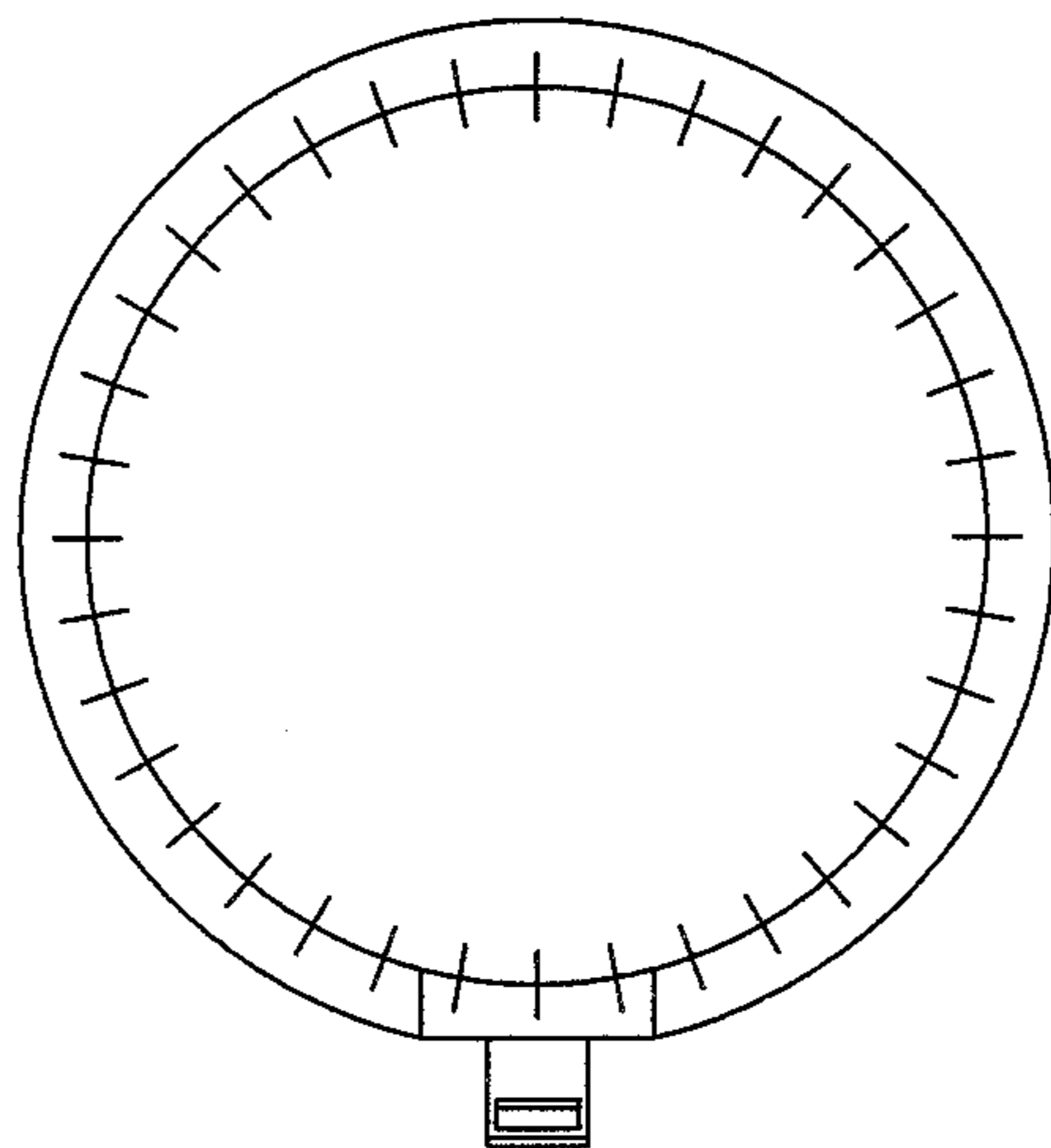


FIG. 7

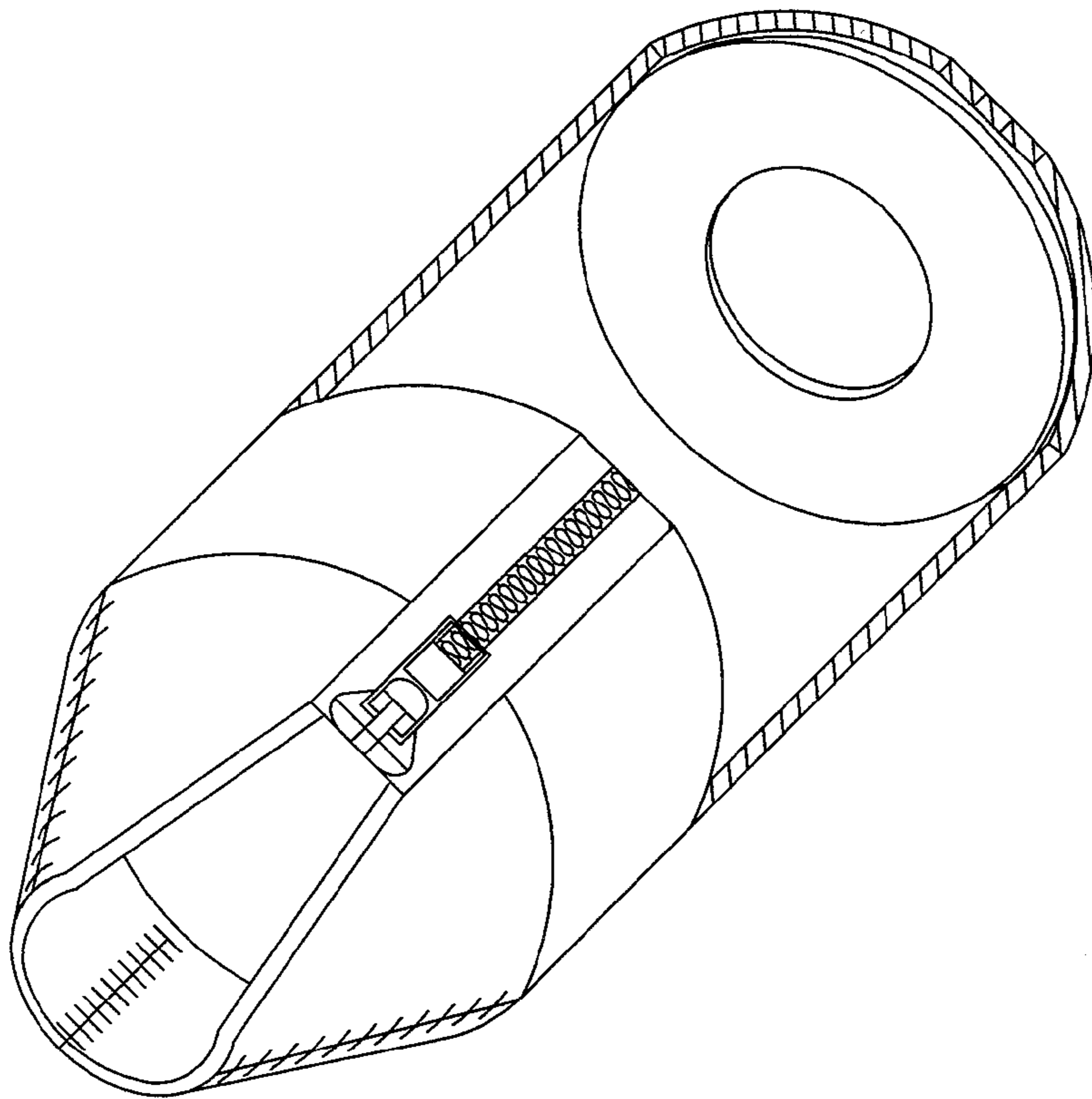


FIG. 9