



US00D738726S

(12) **United States Design Patent**  
**Peluso**

(10) **Patent No.:** **US D738,726 S**  
(45) **Date of Patent:** **\*\* Sep. 15, 2015**

(54) **BOTTLE HOLDER**

(71) Applicant: **Jason M. Peluso**, Cranston, RI (US)

(72) Inventor: **Jason M. Peluso**, Cranston, RI (US)

(73) Assignee: **Fourstar Group Inc.** (TW)

(\*\*) Term: **14 Years**

(21) Appl. No.: **29/481,597**

(22) Filed: **Feb. 7, 2014**

(51) **LOC (10) Cl.** ..... **09-07**

(52) **U.S. Cl.**  
USPC ..... **D9/455; D3/318**

(58) **Field of Classification Search**  
USPC ..... D7/396.2, 607, 622; D9/434, 435, 436,  
D9/455, 456, 499; D3/229, 309, 318;  
220/752, 754; 224/148.2, 148.6;  
294/31.1, 32  
CPC ..... A45F 5/00; A45F 2005/1033  
See application file for complete search history.

(56) **References Cited**

**U.S. PATENT DOCUMENTS**

D448,298 S 9/2001 Simkins  
6,481,590 B1 \* 11/2002 Simkins ..... 215/399

(Continued)

**OTHER PUBLICATIONS**

<http://web.archive.org/web/20100701052336/http://www.bathandbodyworks.com/home/index.jsp>. Jul. 1, 2010.

(Continued)

*Primary Examiner* — Robert M Spear

(74) *Attorney, Agent, or Firm* — Salter & Michaelson

(57) **CLAIM**

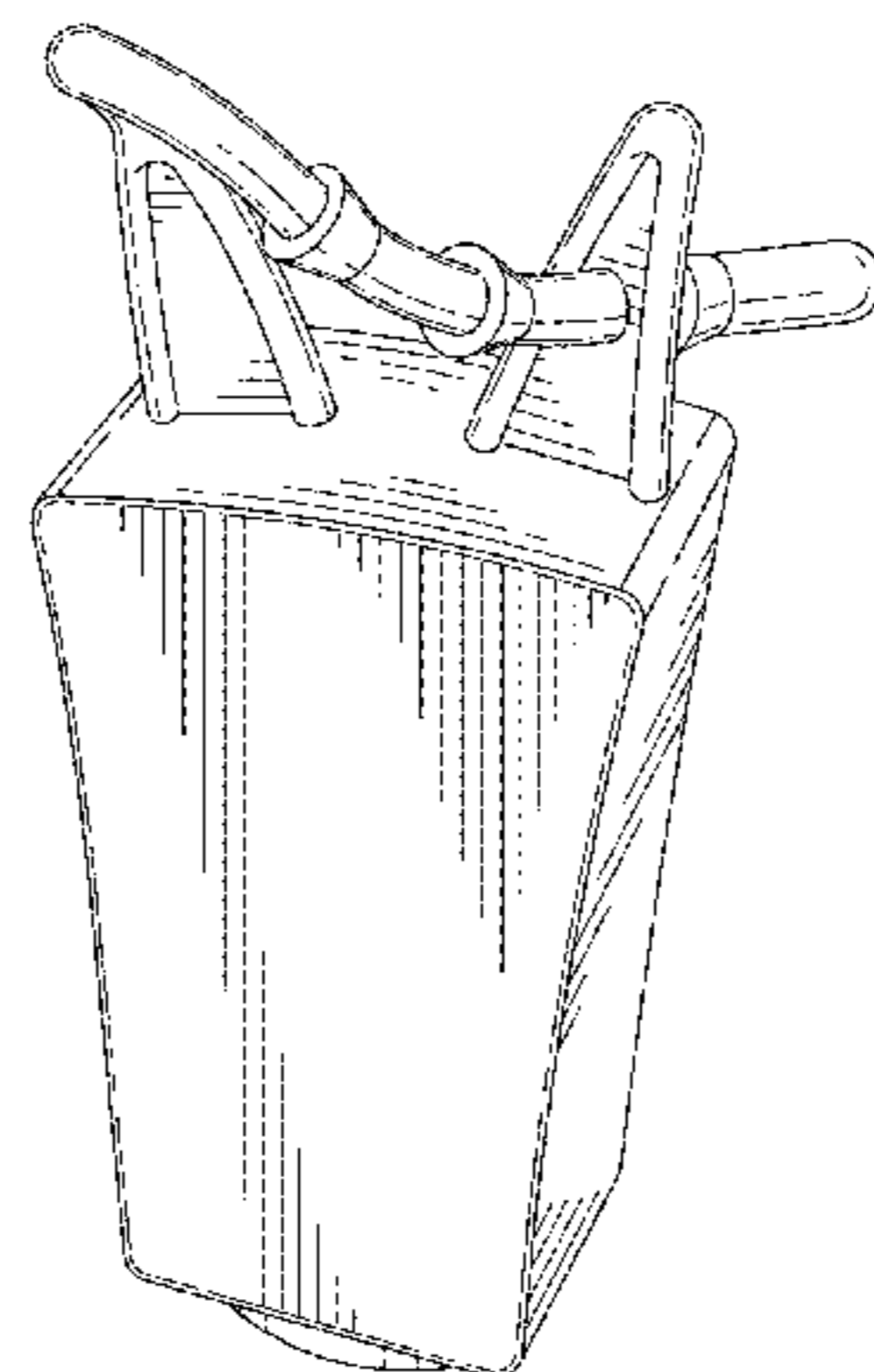
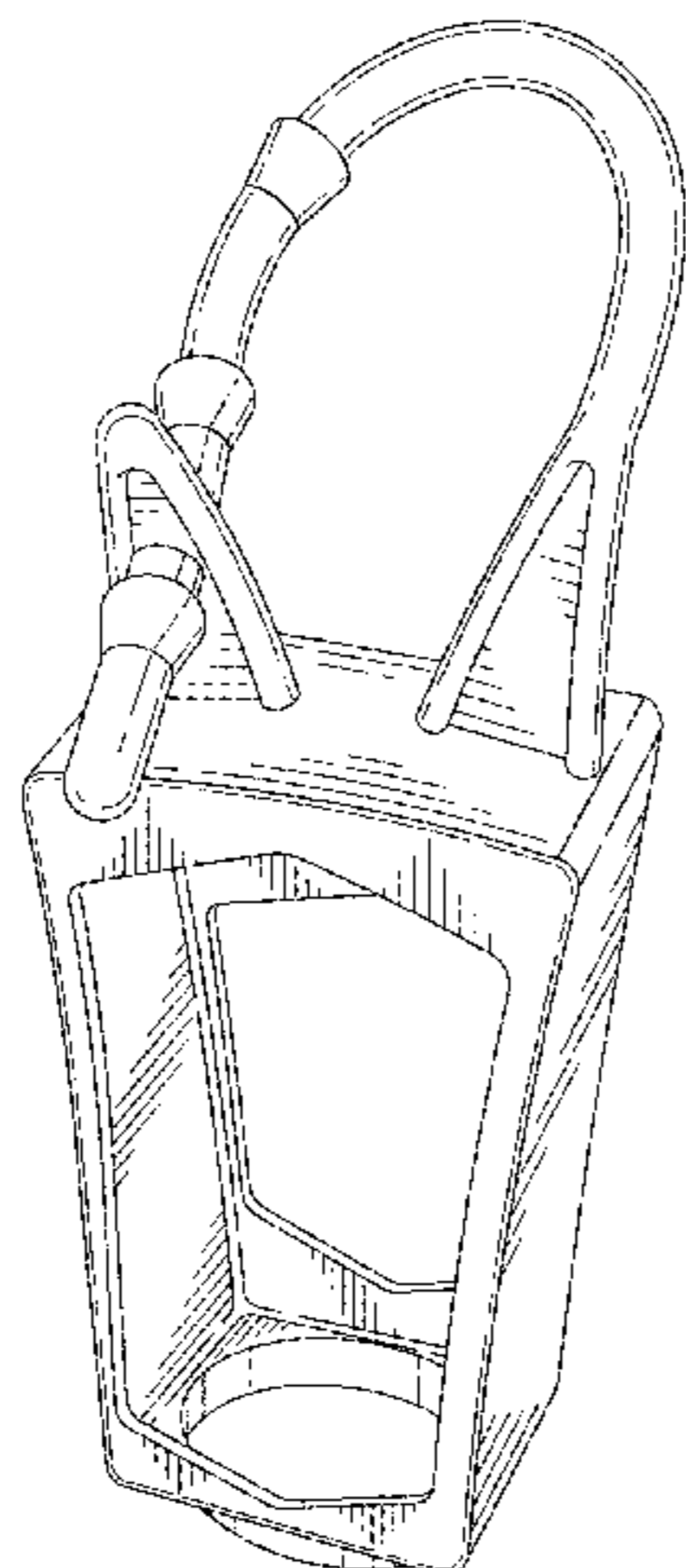
The ornamental design for a bottle holder, as shown.

**DESCRIPTION**

FIG. 1 is a front perspective view of a bottle holder;  
FIG. 2 is a rear perspective view thereof;

FIG. 3 is a front elevational view thereof;  
FIG. 4 is a rear elevational view thereof;  
FIG. 5 is a right side elevational view thereof;  
FIG. 6 is a left side elevational view thereof;  
FIG. 7 is a top plan view thereof;  
FIG. 8 is a bottom plan view thereof;  
FIG. 9 is a front perspective view with the strap unconnected;  
FIG. 10 is a front perspective view of the second embodiment of a bottle holder;  
FIG. 11 is a rear perspective view of the second embodiment thereof;  
FIG. 12 is a front elevational view of the second embodiment thereof;  
FIG. 13 is a rear elevational view of the second embodiment thereof;  
FIG. 14 is a right side elevational view of the second embodiment thereof;  
FIG. 15 is a left side elevational view of the second embodiment thereof;  
FIG. 16 is a top plan view of the second embodiment thereof;  
FIG. 17 is a bottom plan view of the second embodiment thereof;  
FIG. 18 is a front perspective view of the second embodiment with the strap unconnected;  
FIG. 19 is a front perspective view of the third embodiment of a bottle holder;  
FIG. 20 is a rear perspective view of the third embodiment thereof;  
FIG. 21 is a front elevational view of the third embodiment thereof;  
FIG. 22 is a rear elevational view of the third embodiment thereof;  
FIG. 23 is a right side elevational view of the third embodiment thereof;  
FIG. 24 is a left side elevational view of the third embodiment thereof;  
FIG. 25 is a top plan view of the third embodiment thereof;  
FIG. 26 is a bottom plan view of the third embodiment thereof; and,  
FIG. 27 is a front perspective view of the third embodiment with the strap unconnected.

**1 Claim, 24 Drawing Sheets**



(56)

**References Cited**

**OTHER PUBLICATIONS**

U.S. PATENT DOCUMENTS

D487,660 S     3/2004   Sayers et al.  
D594,745 S     6/2009   Hecht  
D675,446 S     2/2013   Cohee et al.  
D703,040 S \*   4/2014   White ..... D9/455

[http://www.bathandbodyworks.com/product/index.jsp?  
productId=30547426&cm\\_vc=200.](http://www.bathandbodyworks.com/product/index.jsp?productId=30547426&cm_vc=200)

\* cited by examiner

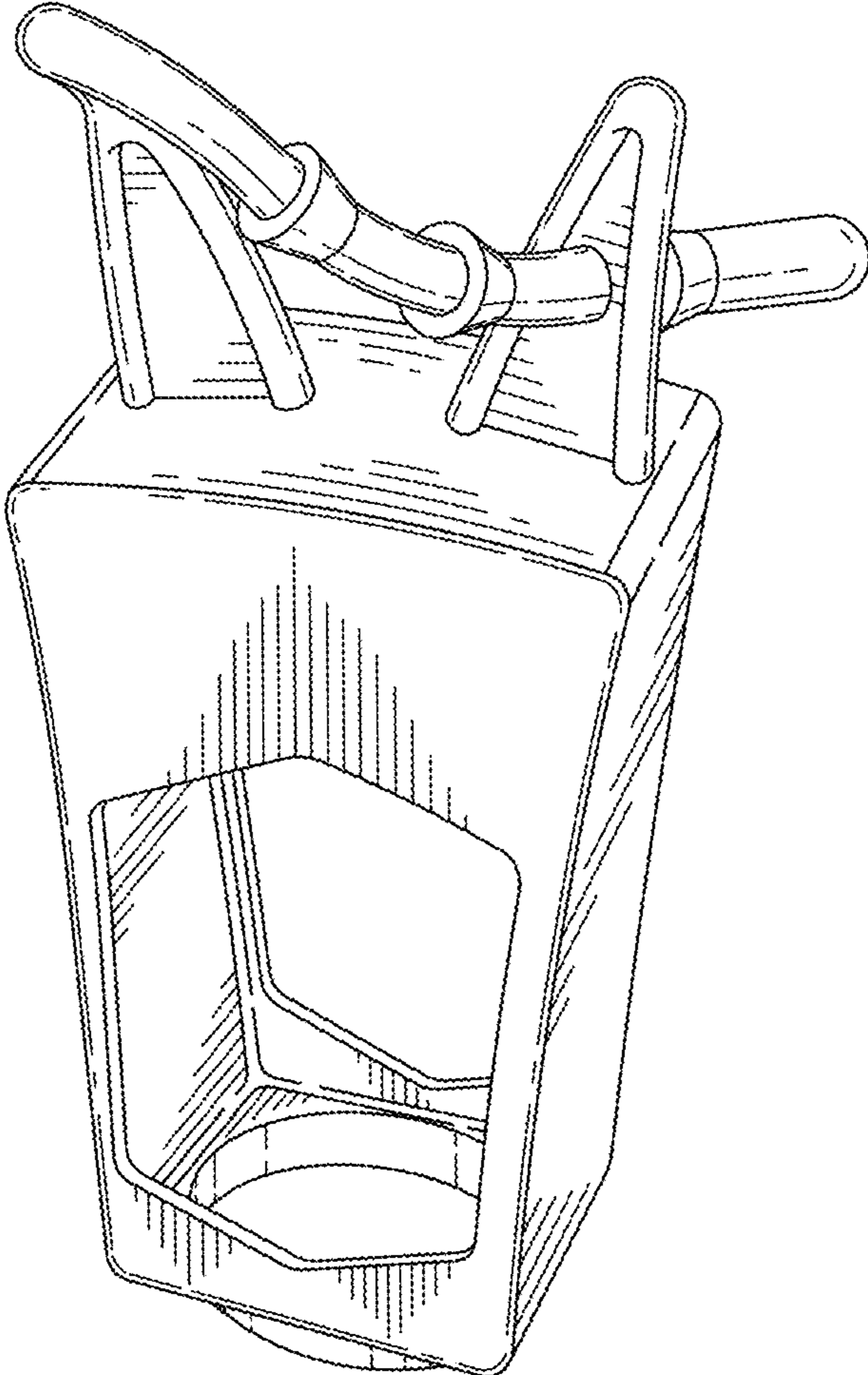


FIG. 1

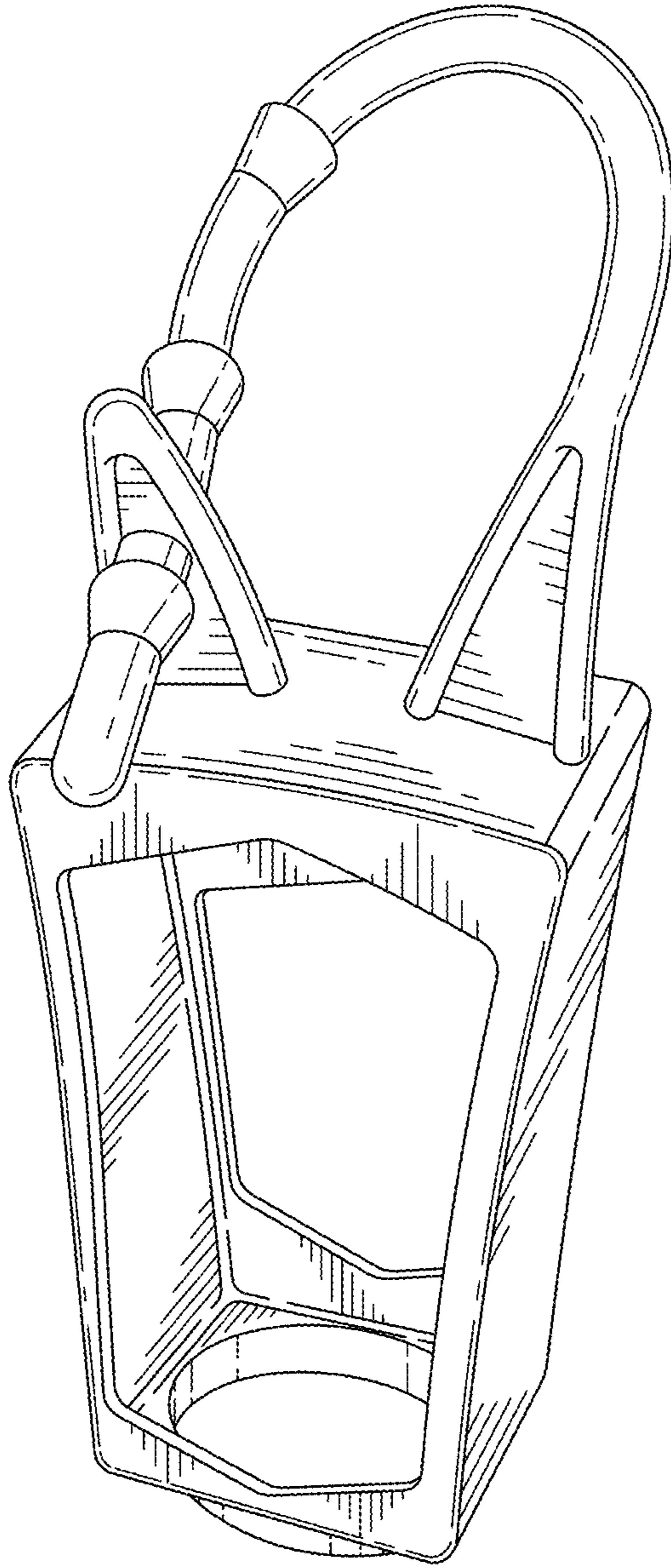


FIG. 2

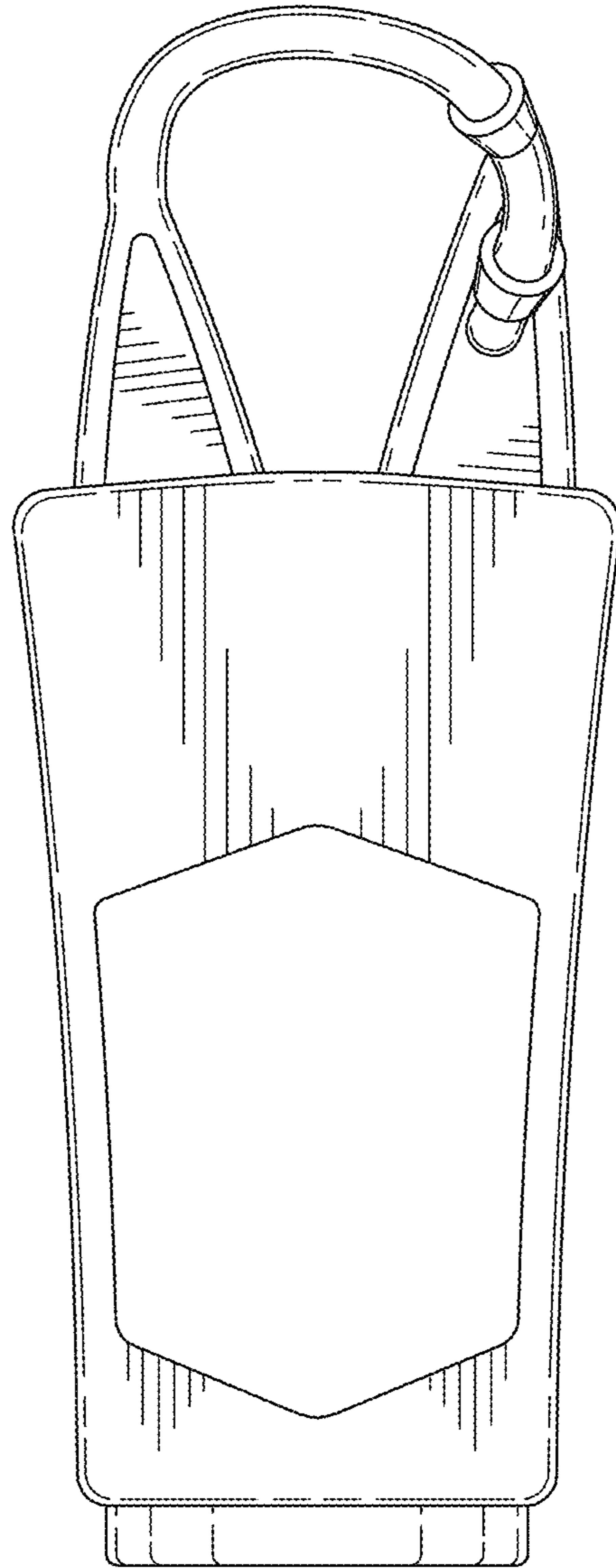


FIG. 3

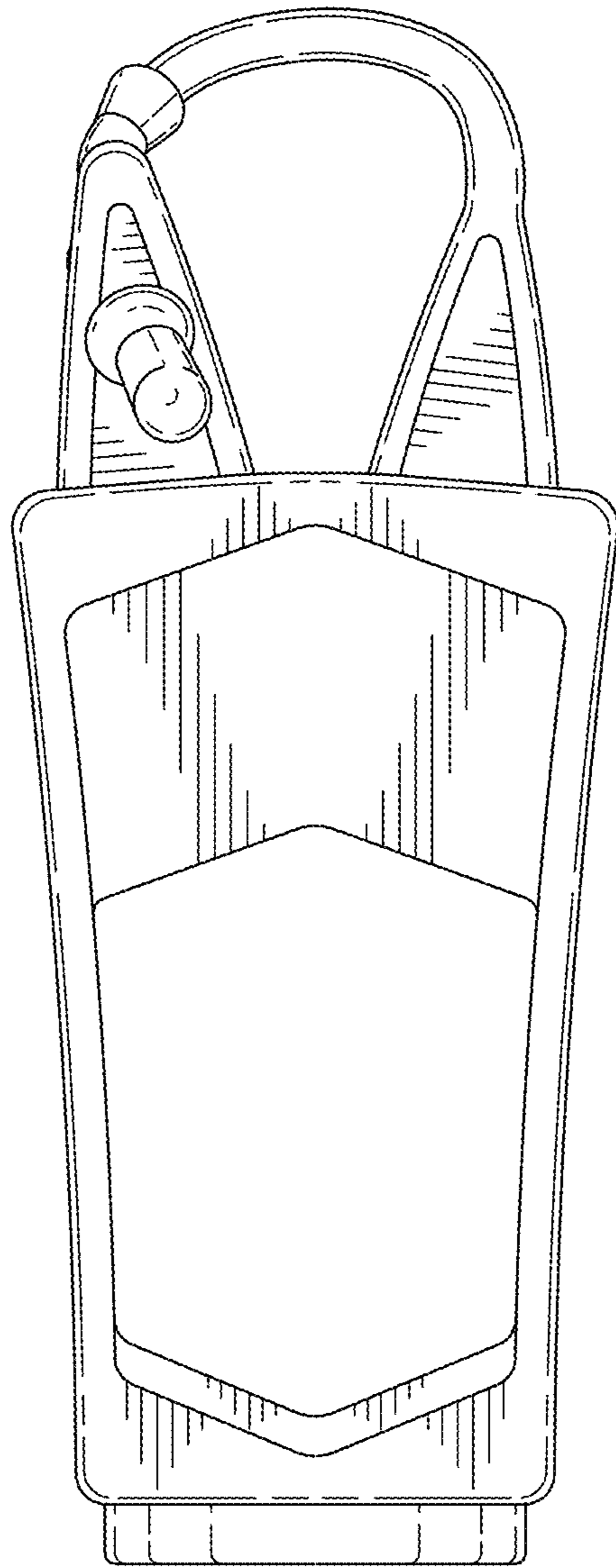


FIG. 4

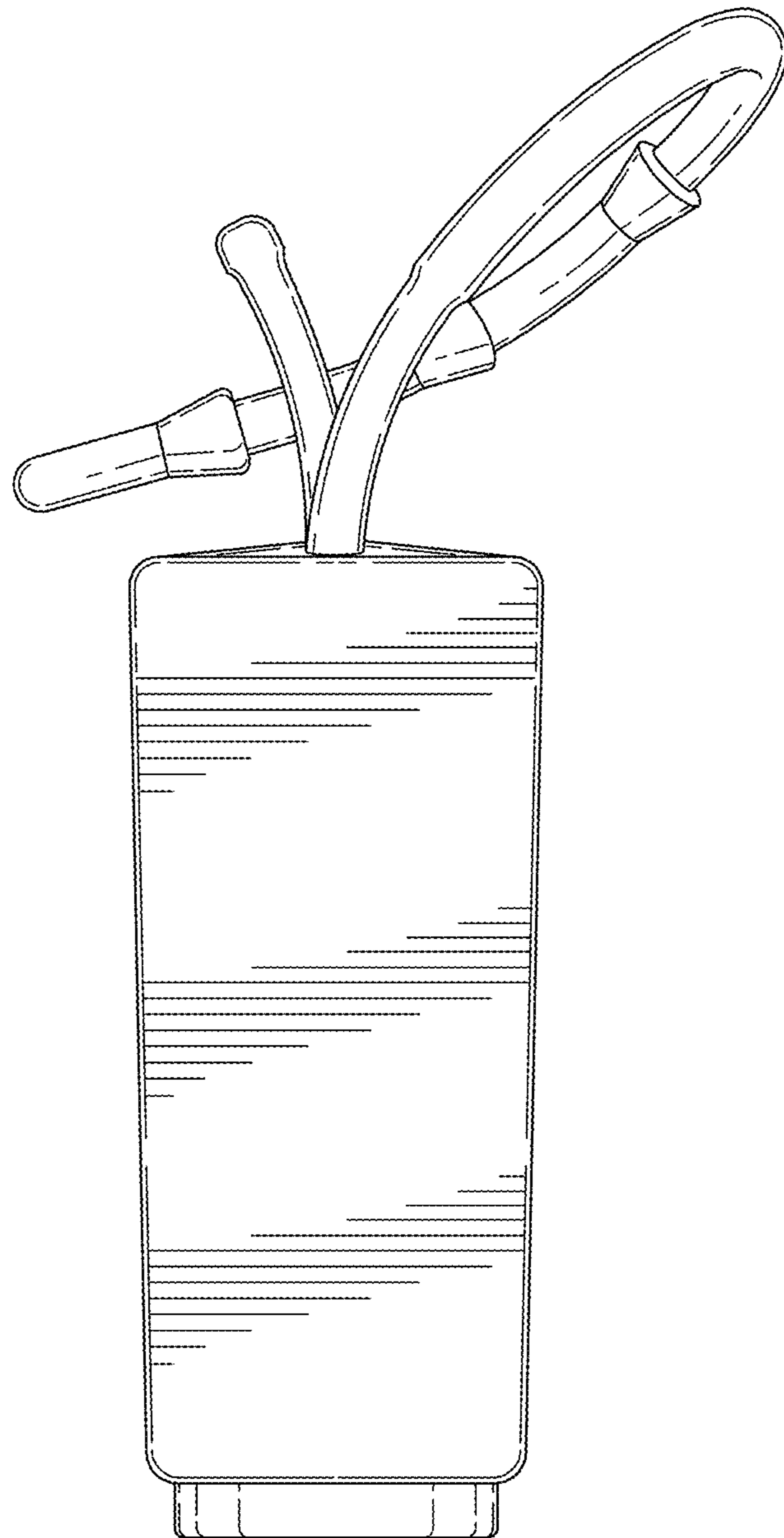


FIG. 5

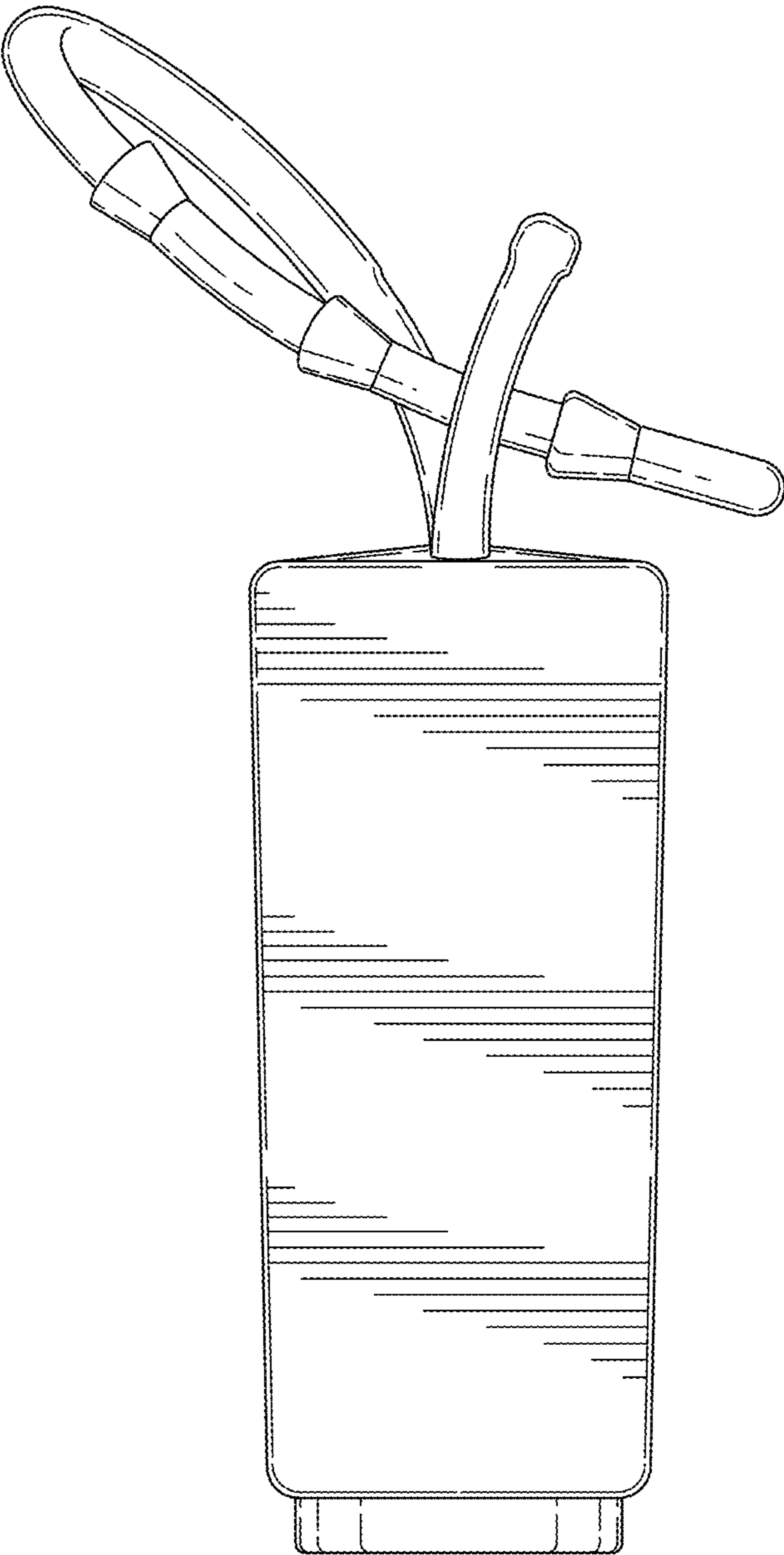


FIG. 6



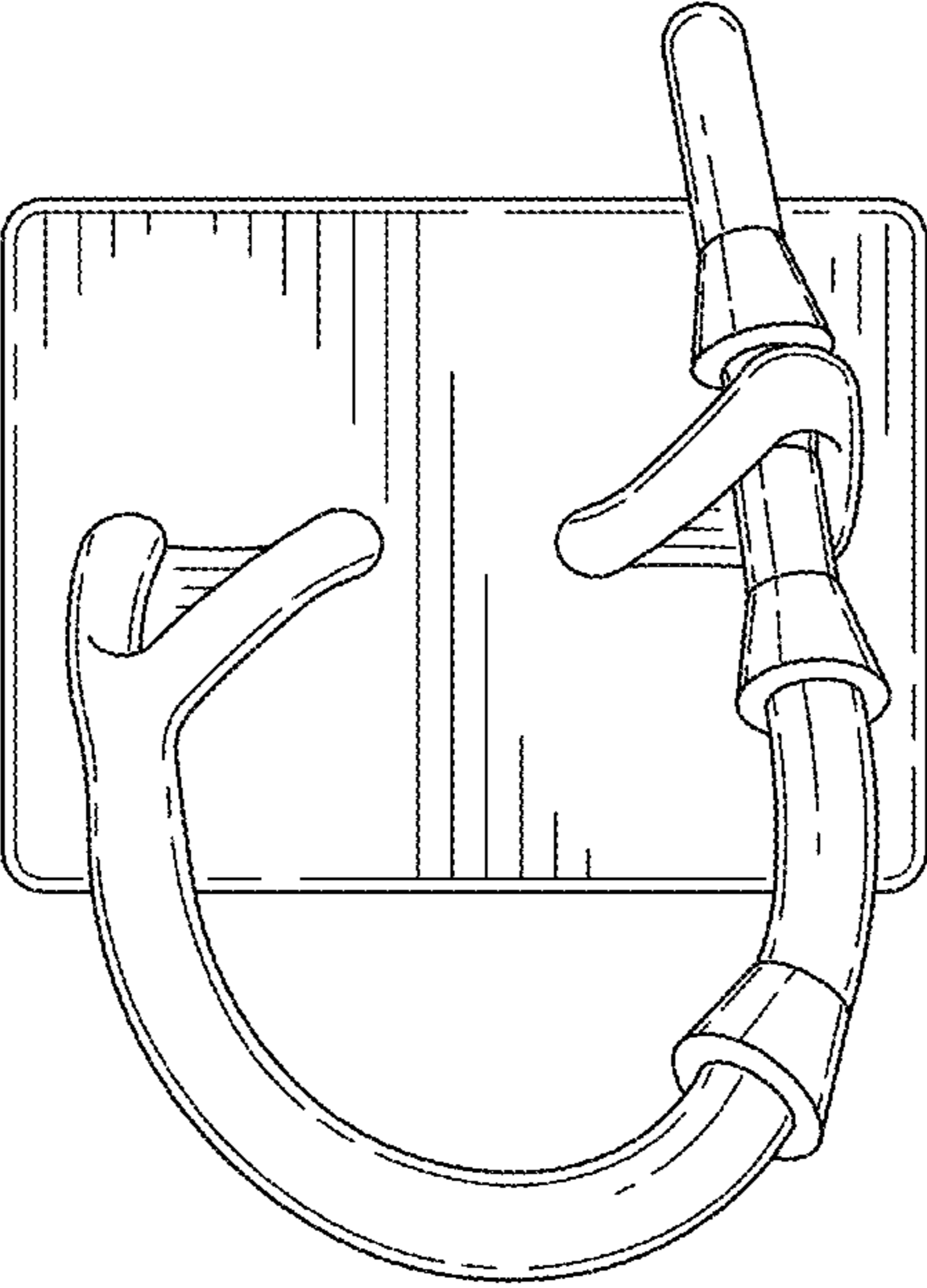


FIG. 7

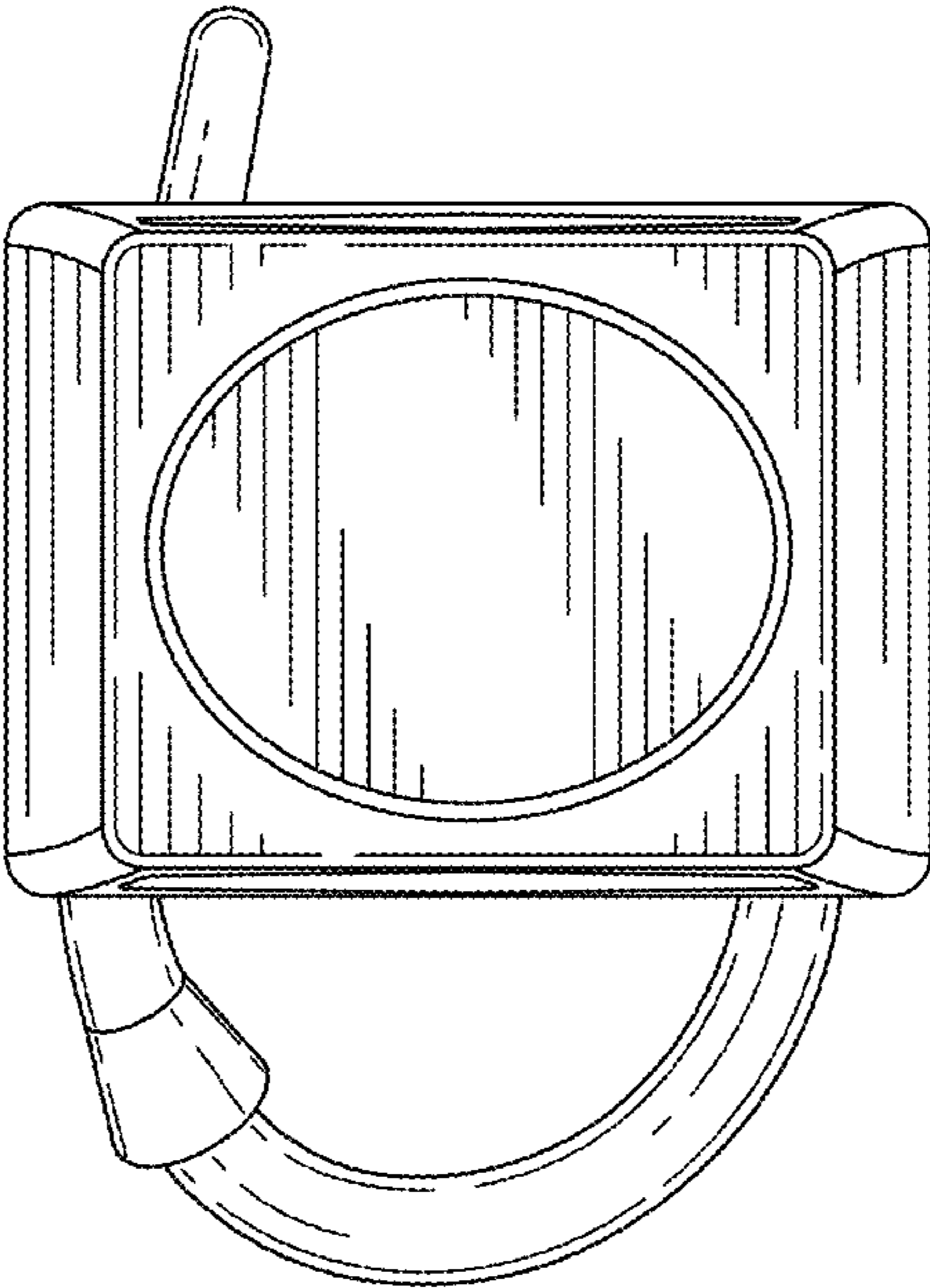


FIG. 8

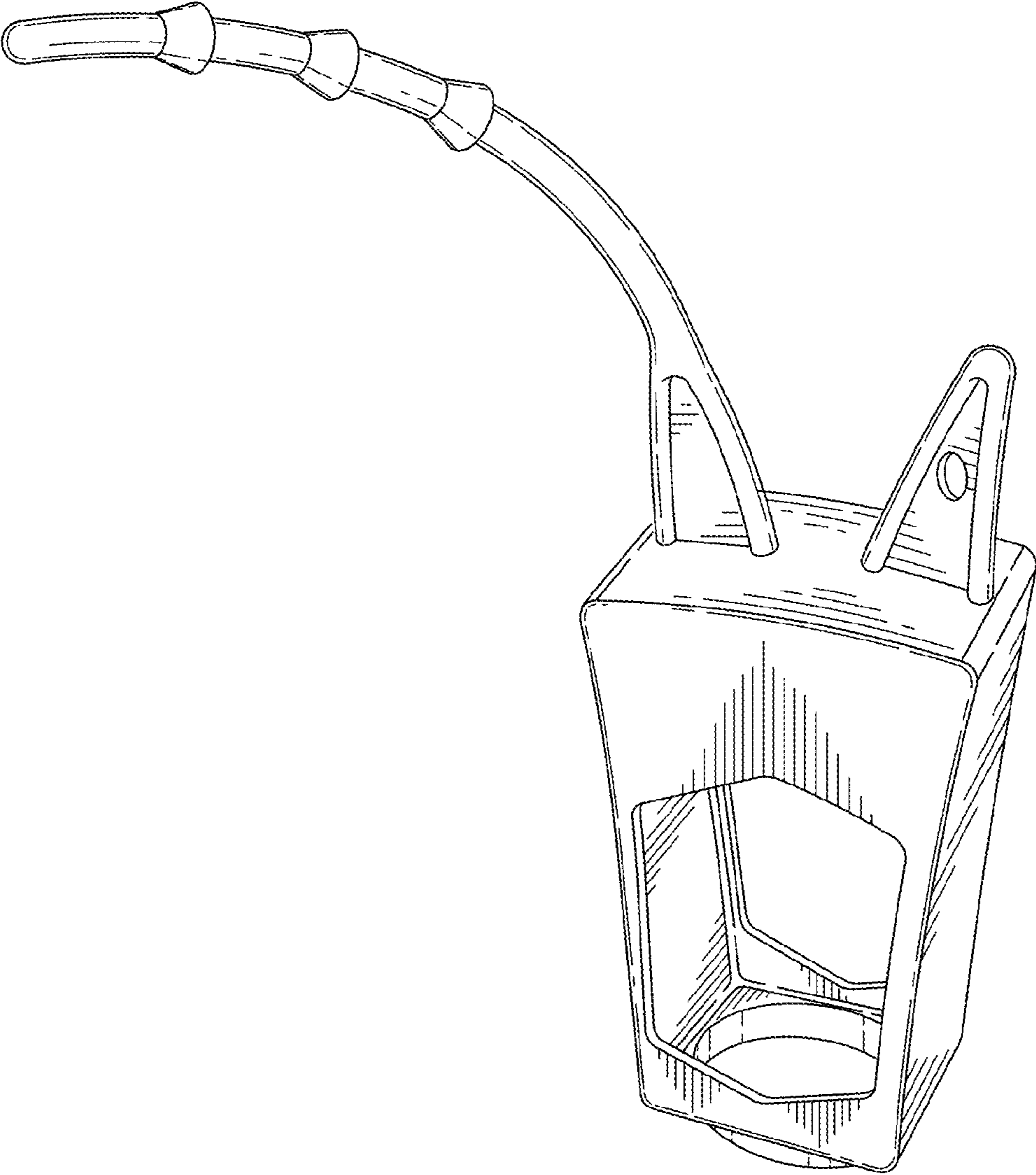


FIG. 9

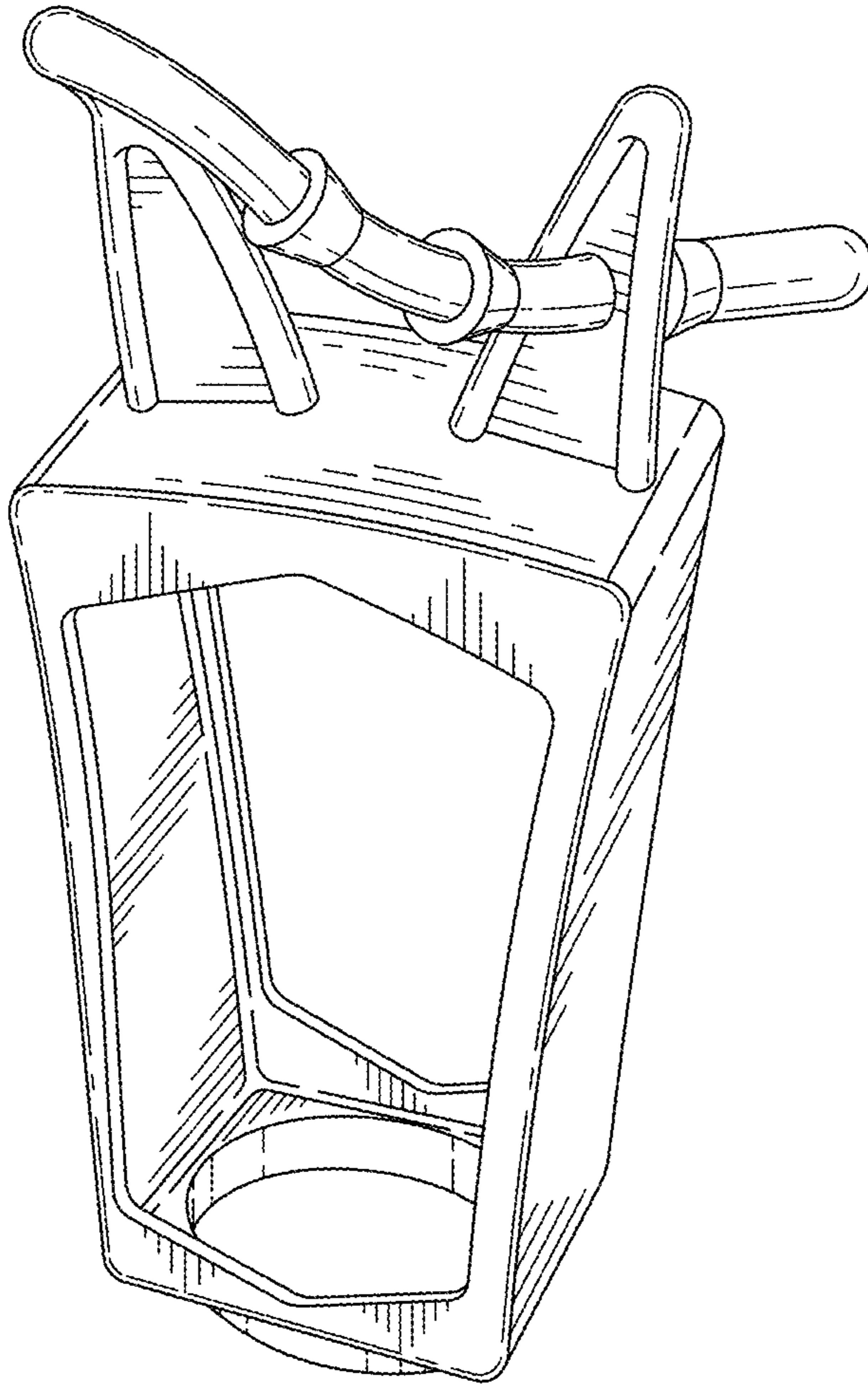


FIG. 10

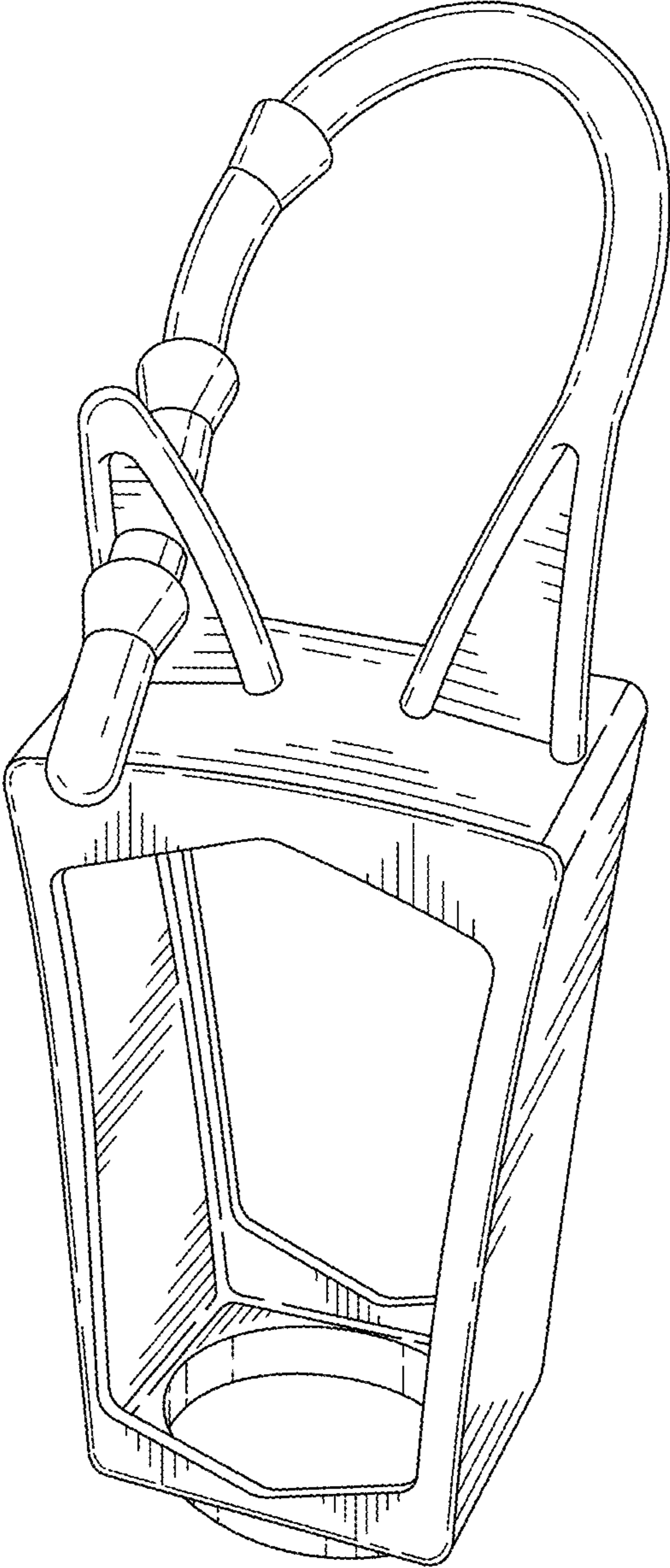


FIG. 11

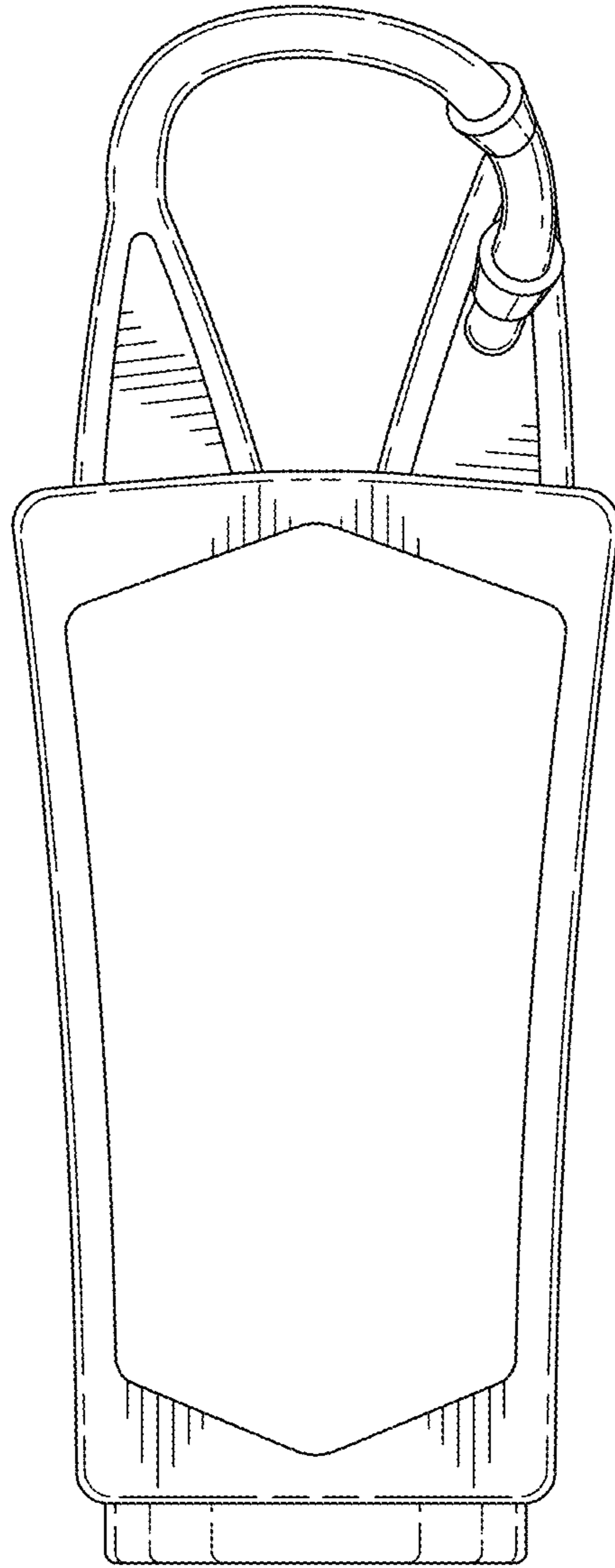


FIG. 12

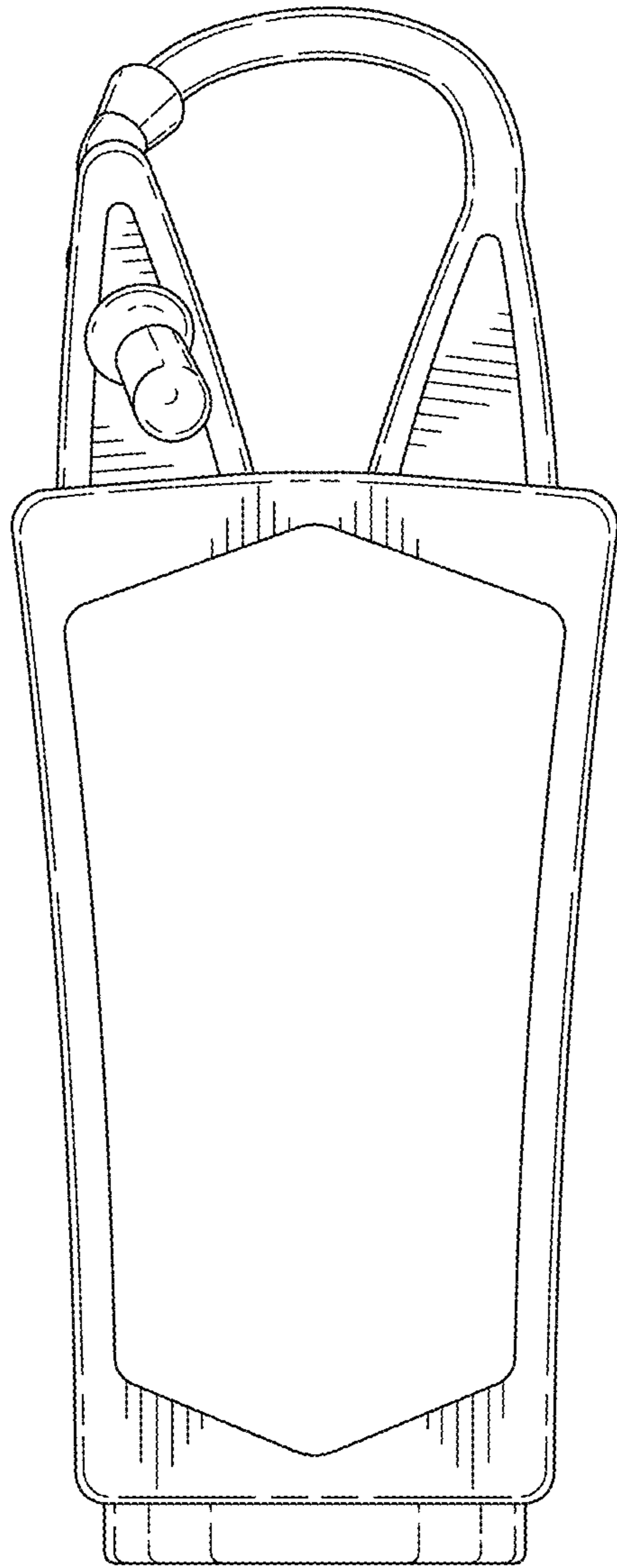


FIG. 13

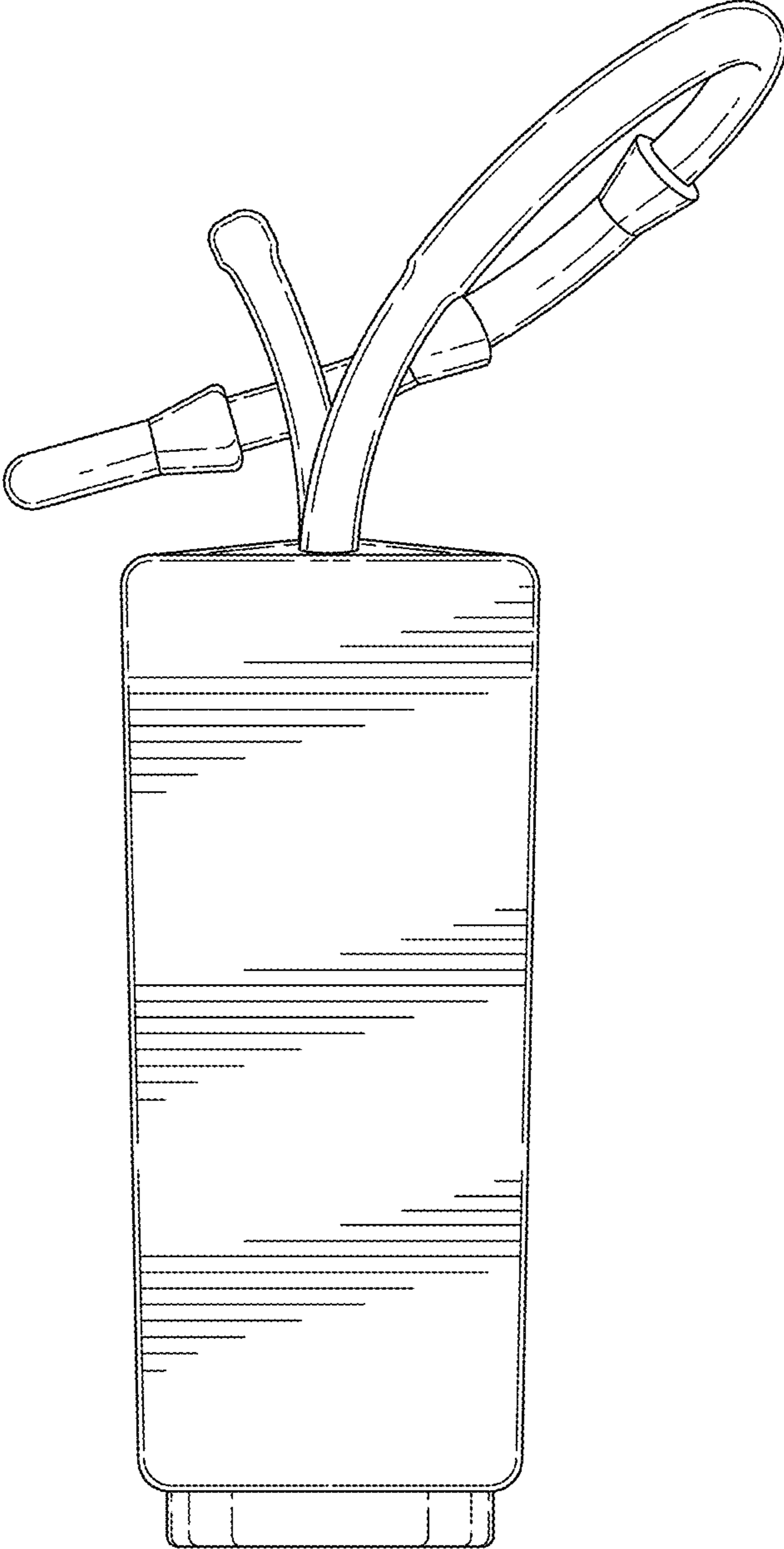


FIG. 14

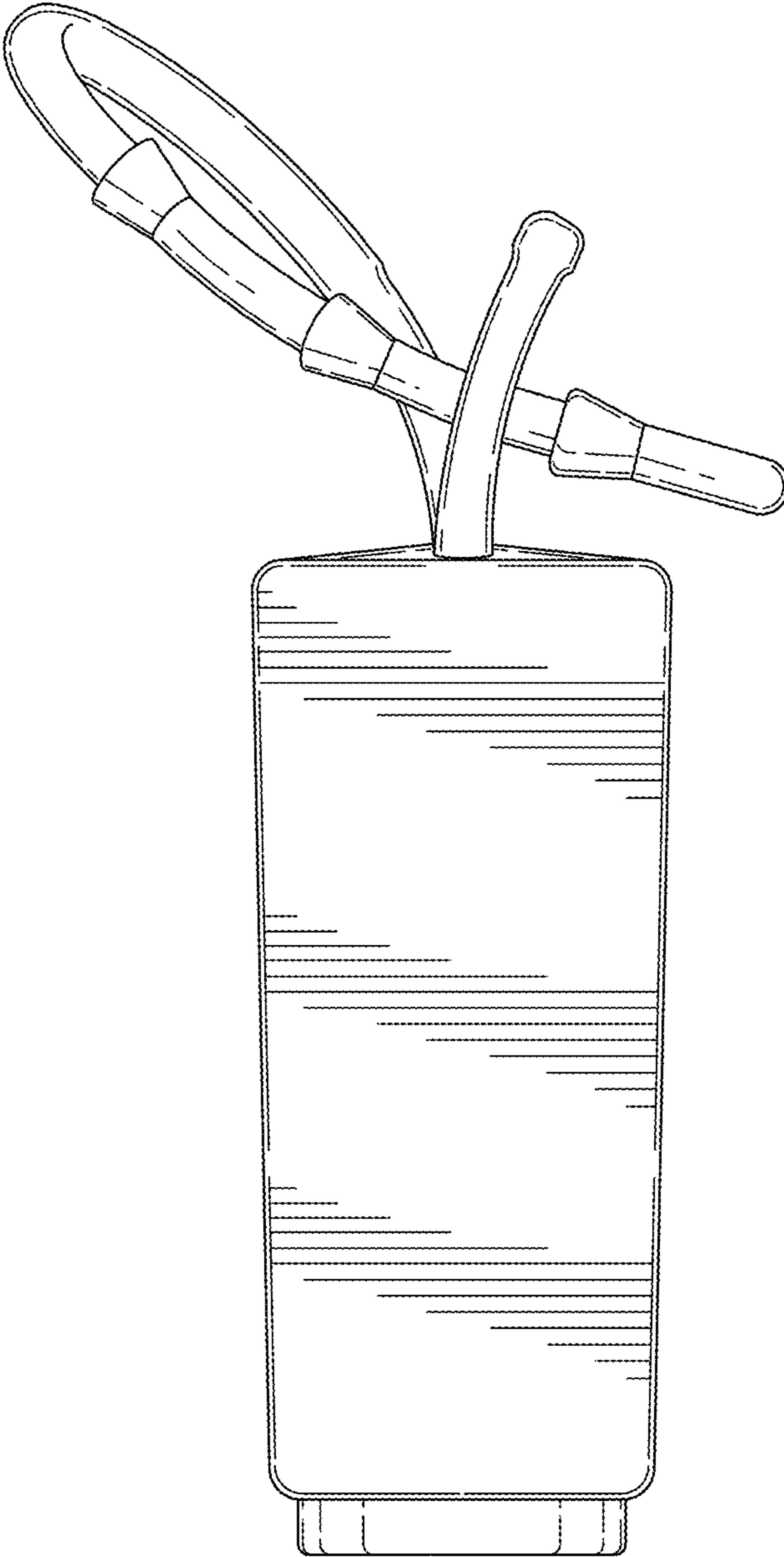


FIG. 15



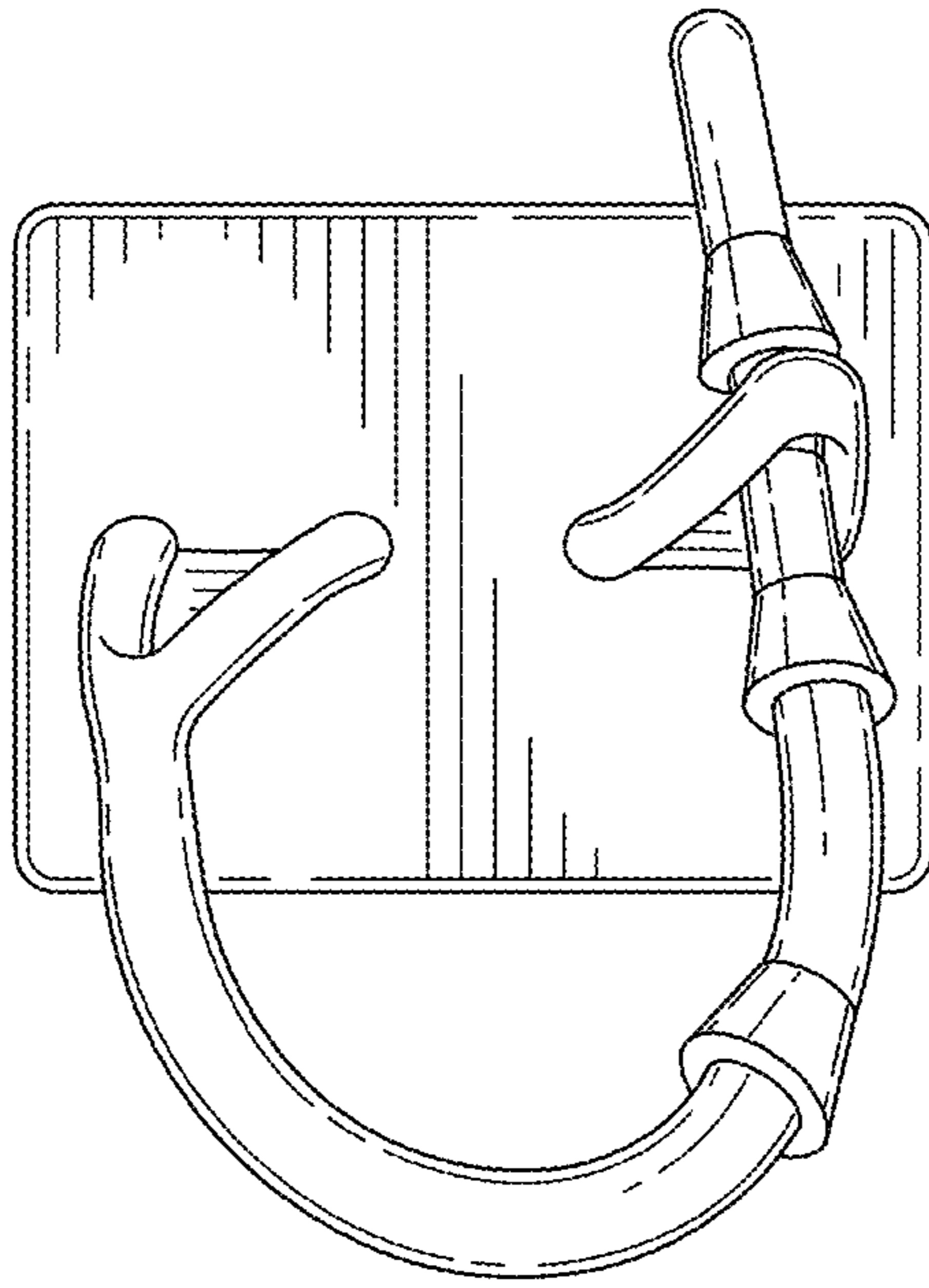


FIG. 16

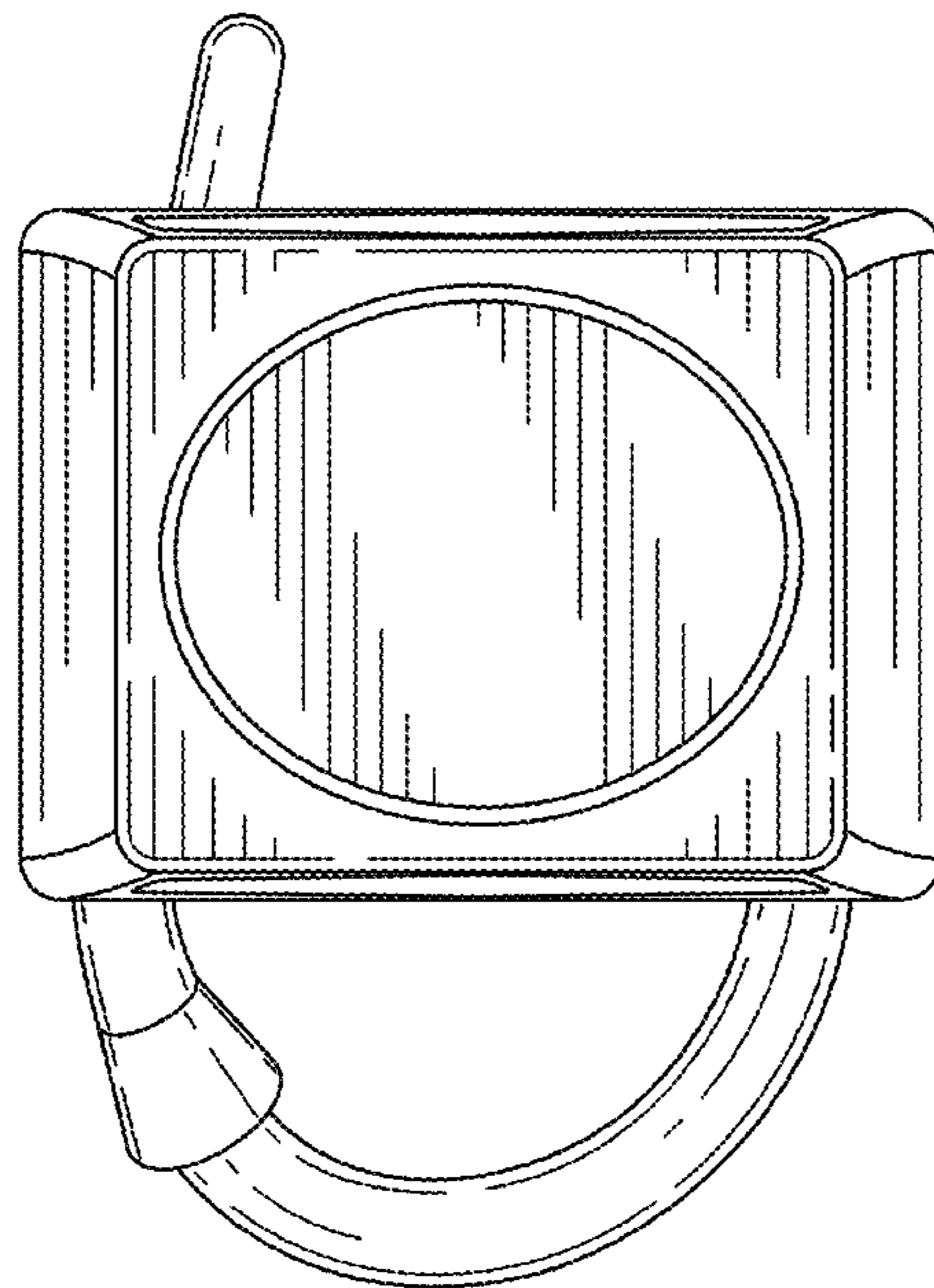


FIG. 17

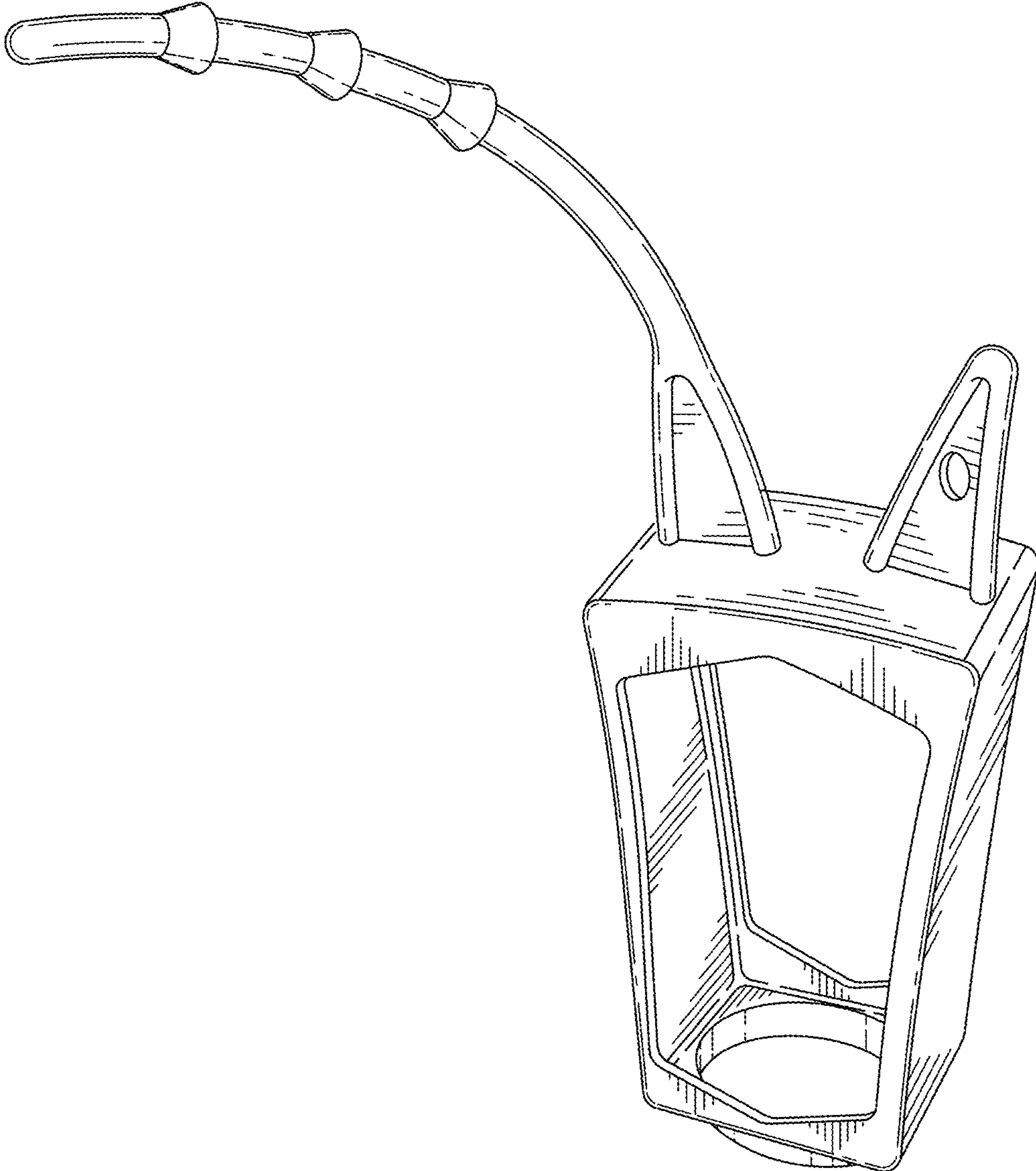


FIG. 18

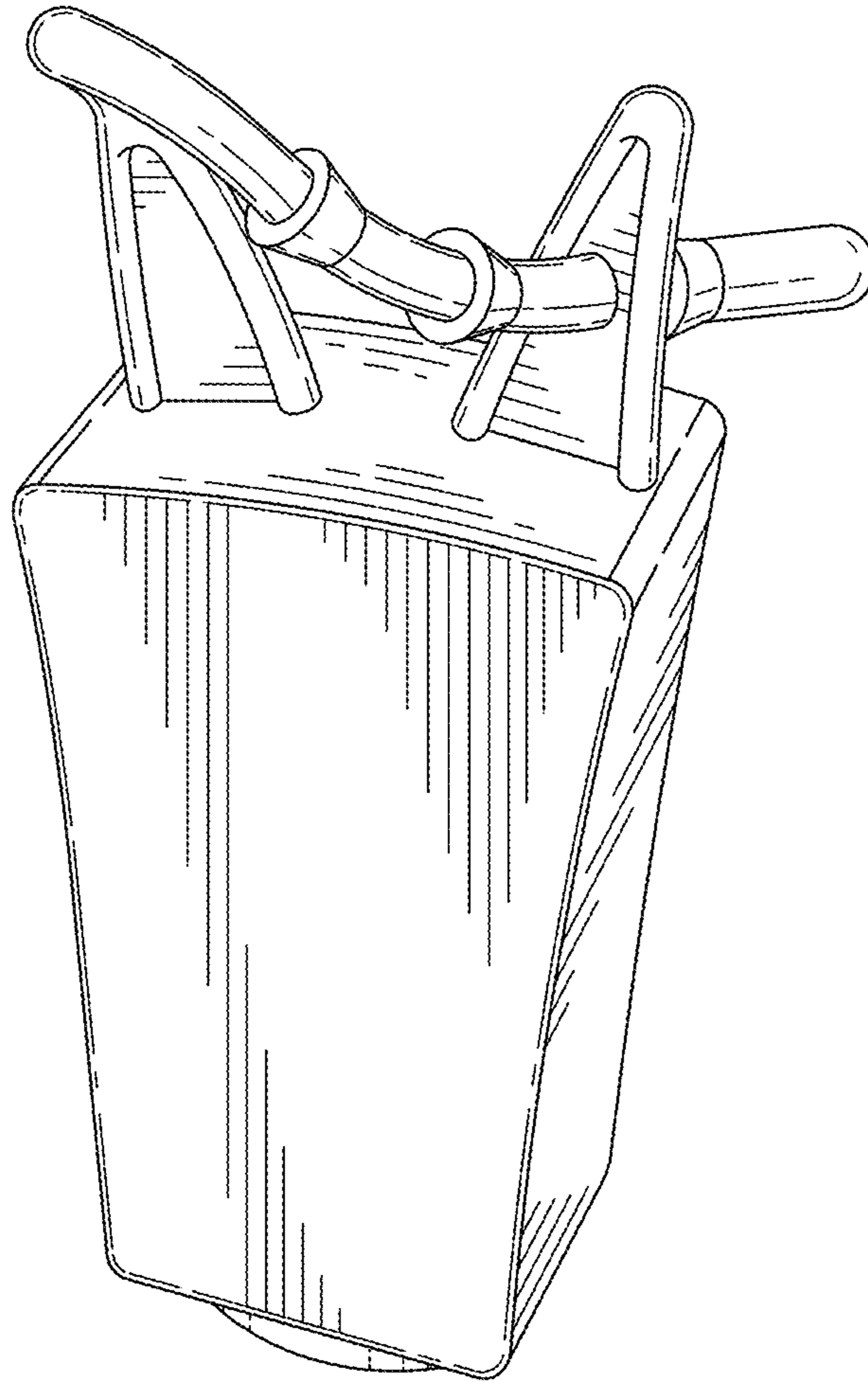


FIG. 19

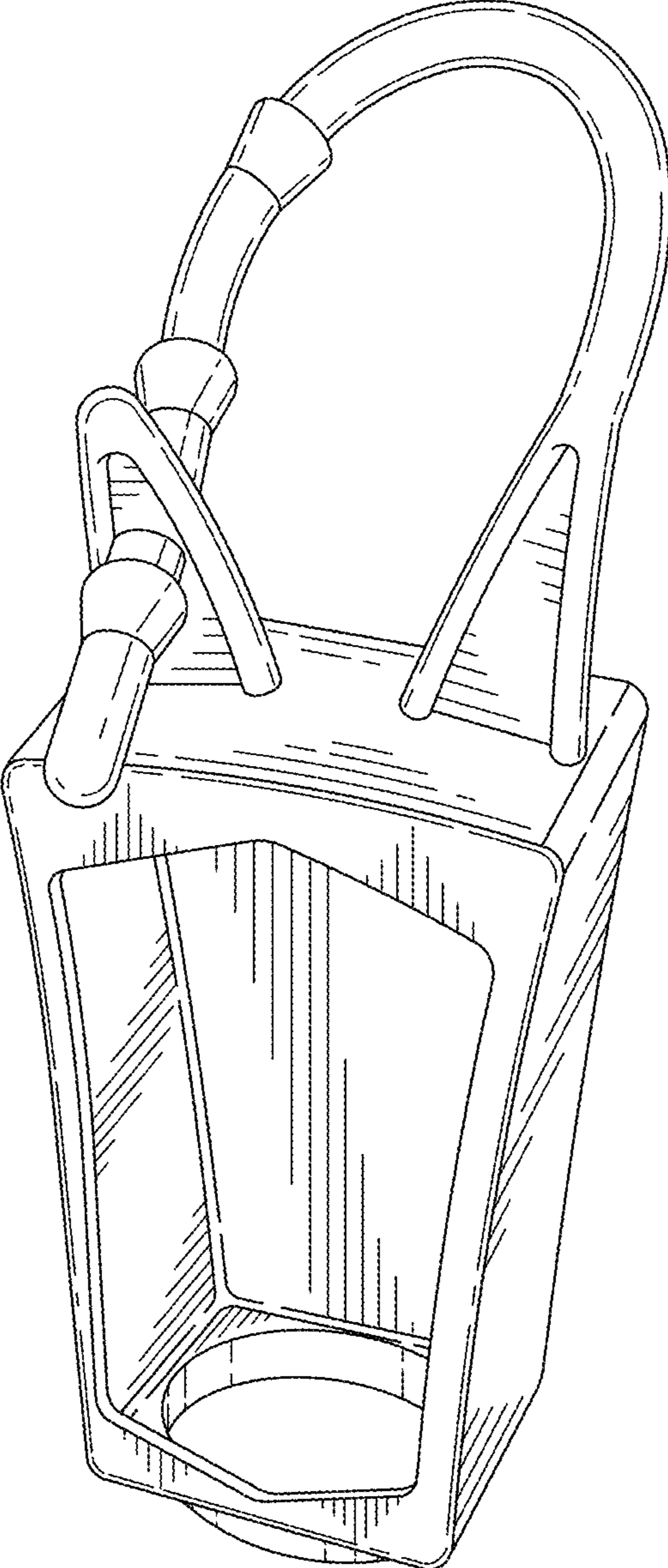


FIG. 20

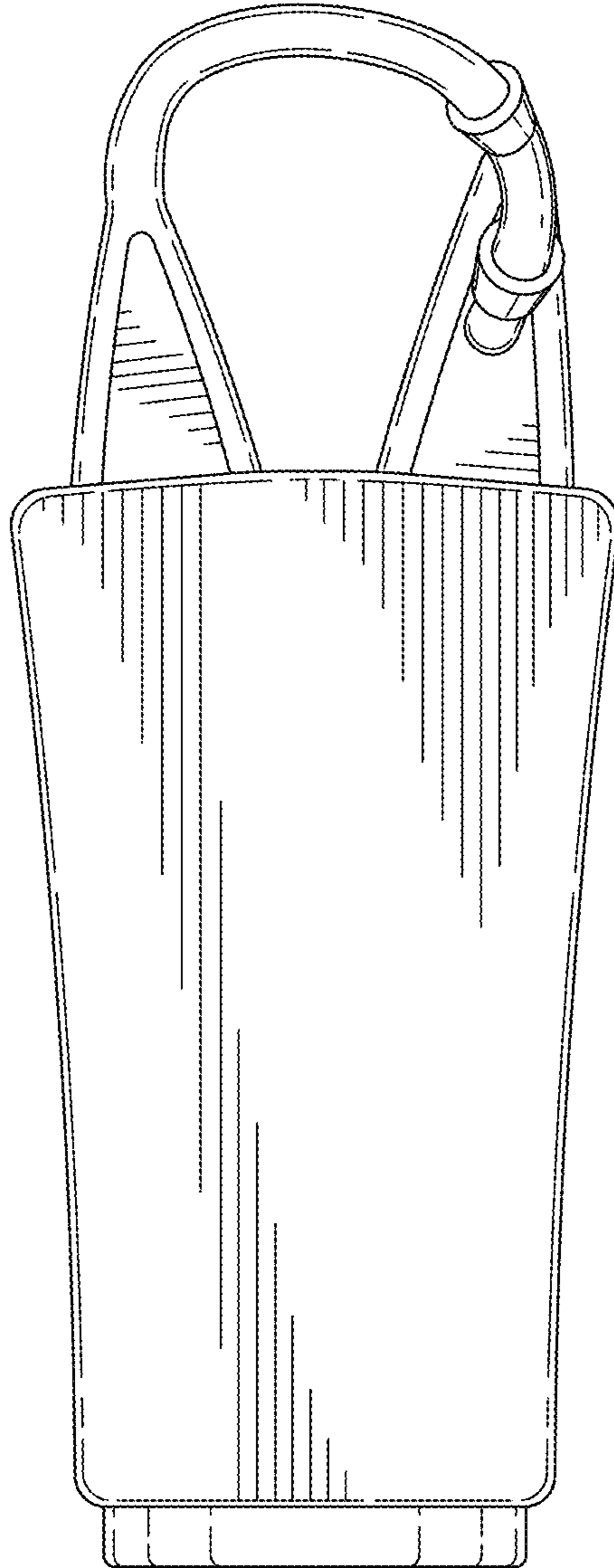


FIG. 21

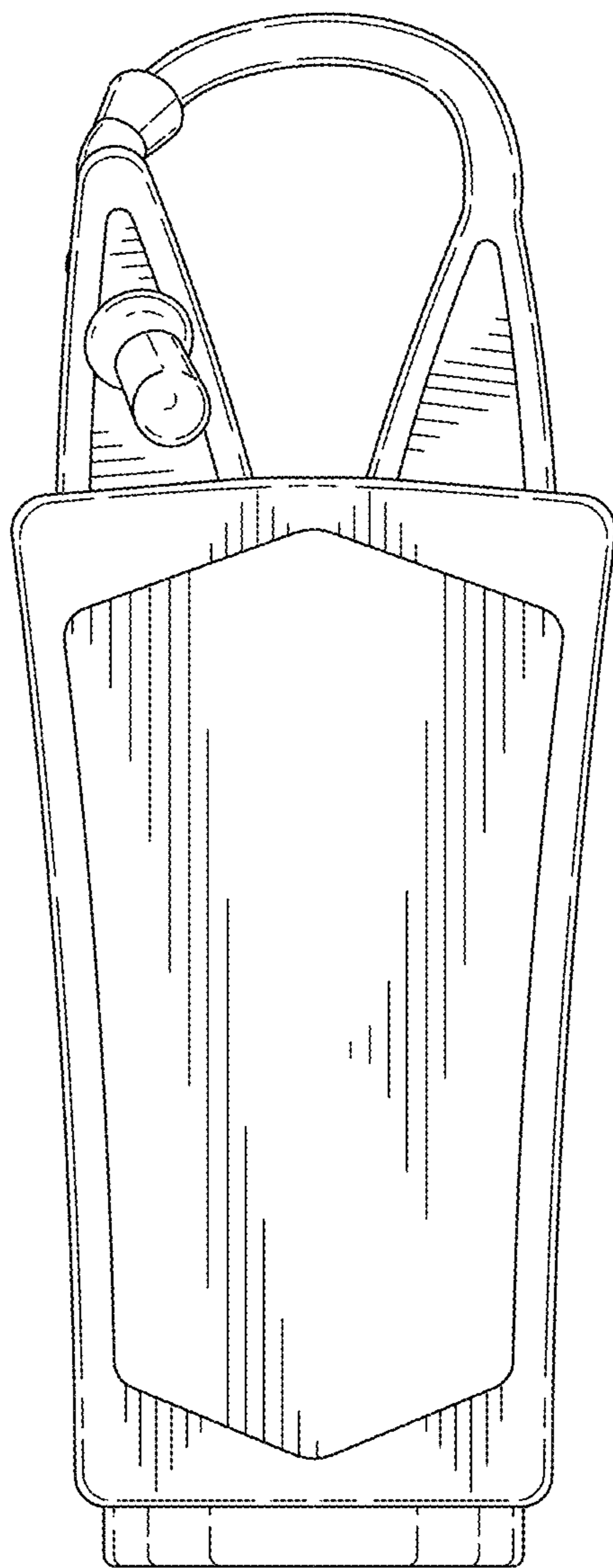


FIG. 22

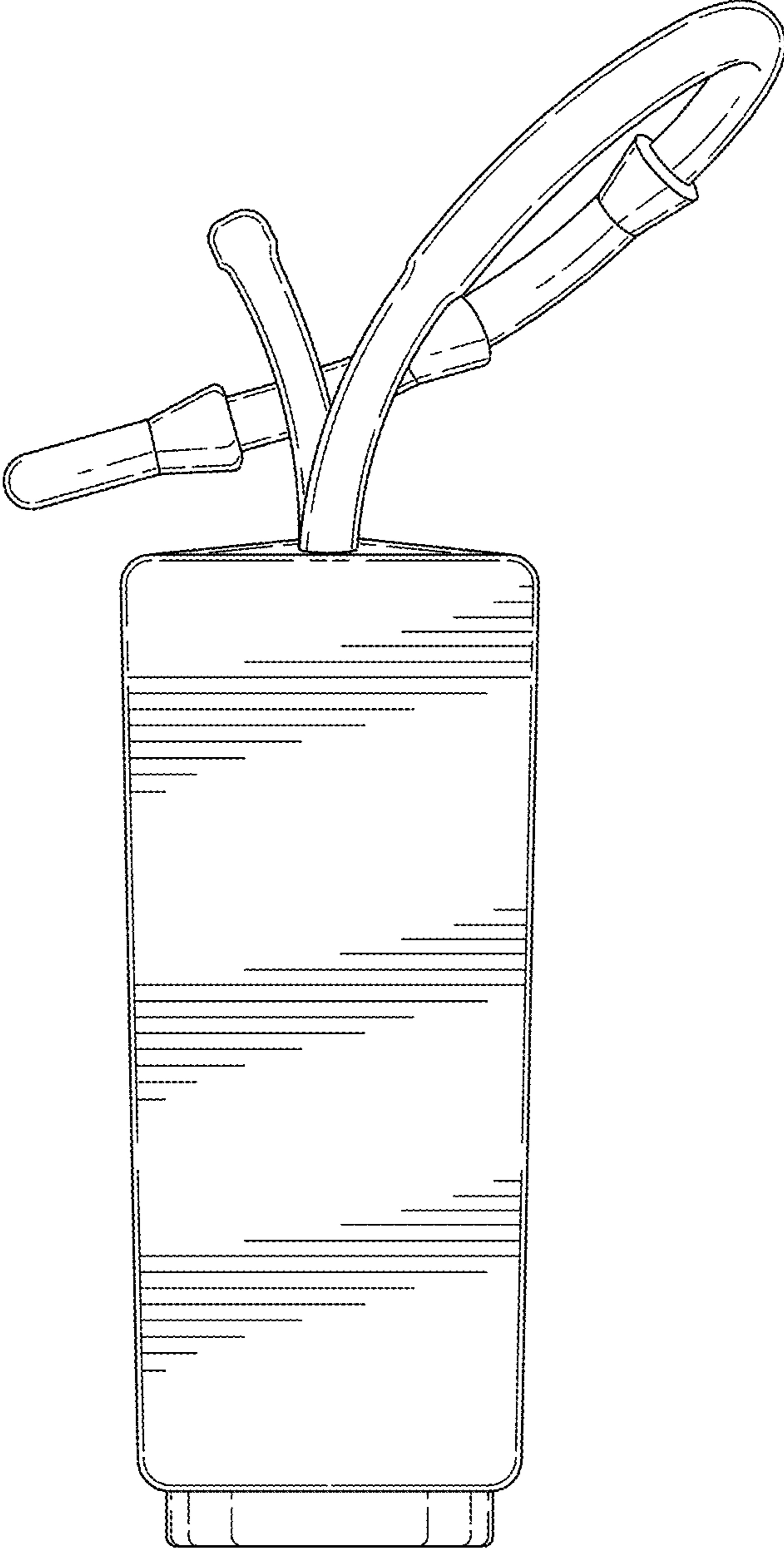


FIG. 23

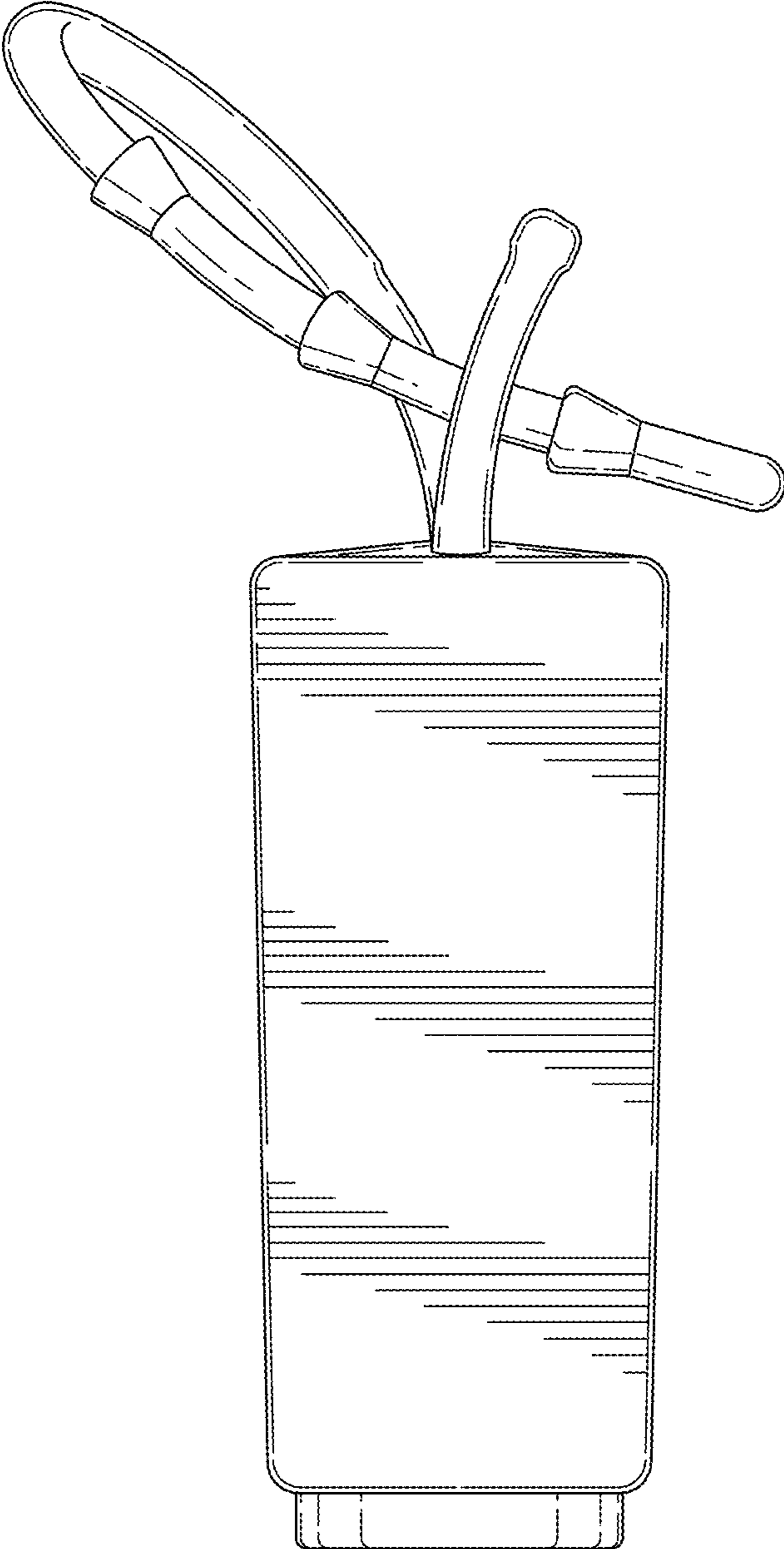


FIG. 24



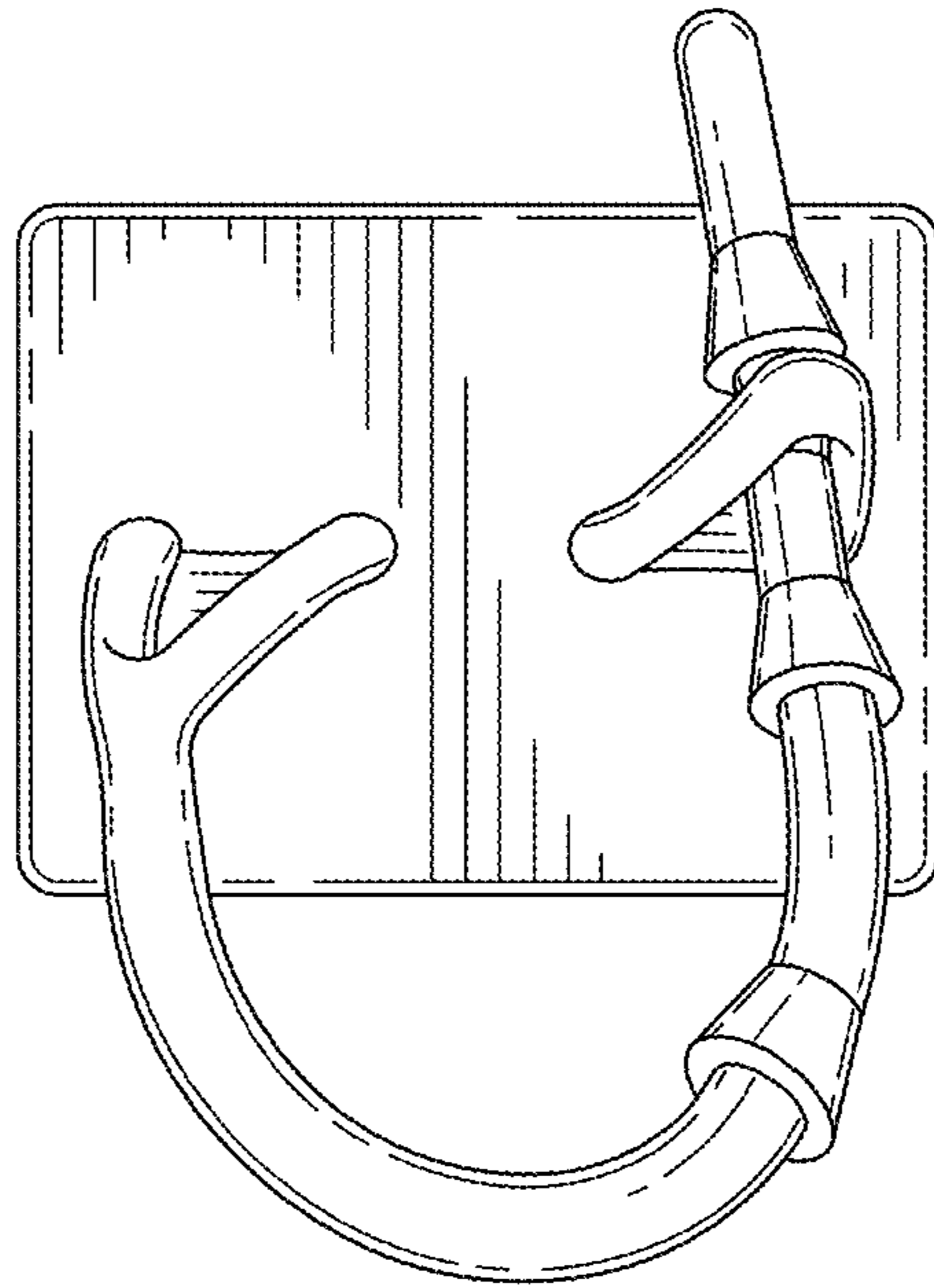


FIG. 25

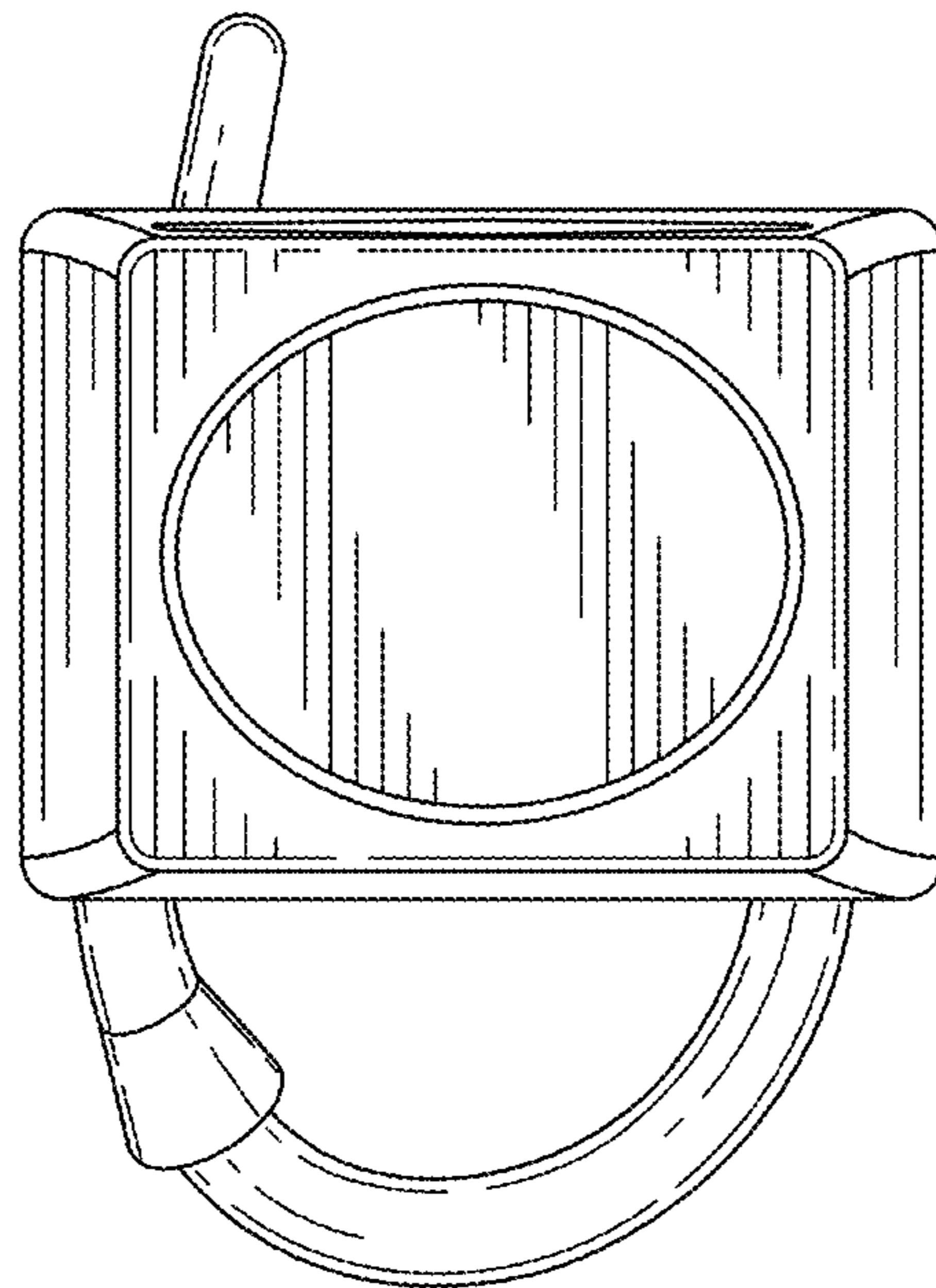


FIG. 26

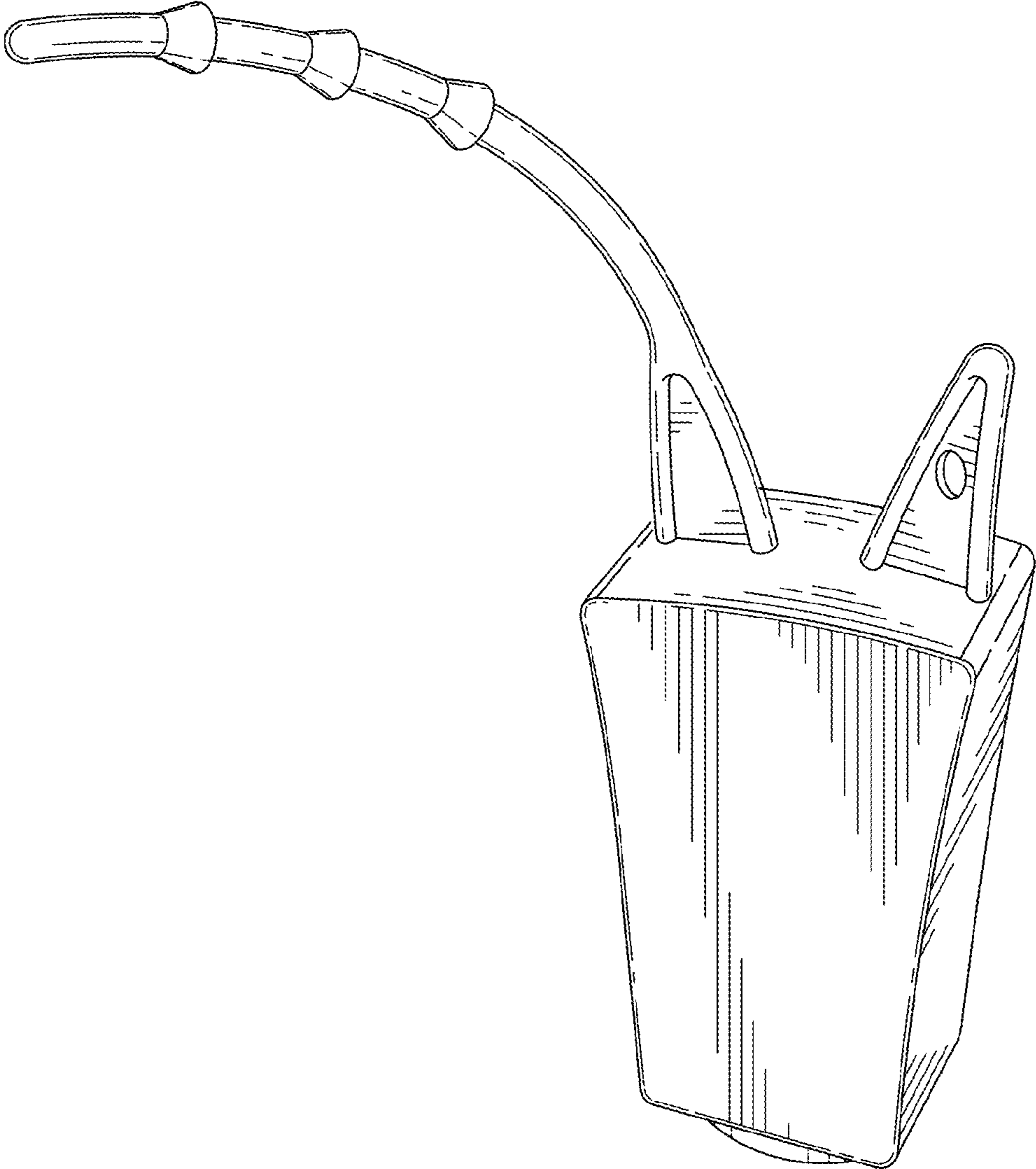


FIG. 27