



US00D738724S

(12) **United States Design Patent**
Schick

(10) **Patent No.:** **US D738,724 S**

(45) **Date of Patent:** **** *Sep. 15, 2015**

(54) **SPOUT**

FOREIGN PATENT DOCUMENTS

(71) Applicant: **Pöppelmann Holding GmbH & Co. KG**, Lohne (DE)

EM	1254007-0001	10/2011
EM	1254007-0002	10/2011
EM	1254007-0003	10/2011
EM	1254007-0004	10/2011
EM	1254007-0005	10/2011
EM	1254007-0006	10/2011
EM	1254007-0007	10/2011
EM	1254007-0008	10/2011
EM	1339782-0001	8/2012
EM	1339782-0002	8/2012
EM	1339782-0003	8/2012
EM	1339782-0004	8/2012

(72) Inventor: **Werner Schick**, Neuenkirchen (DE)

(73) Assignee: **Pöppelmann Holding GmbH & CO. KG**, Lohne (DE)

(*) Notice: This patent is subject to a terminal disclaimer.

(**) Term: **14 Years**

(Continued)

(21) Appl. No.: **29/459,710**

OTHER PUBLICATIONS

(22) Filed: **Jul. 2, 2013**

FAMAC Catalogue entitled "Plastics in Excellent Shape. Good Ideas deserve one thing: The perfect implementation."

(30) **Foreign Application Priority Data**

Jan. 4, 2013 (EM) 001356539

Primary Examiner — Robert M Spear

(51) **LOC (10) Cl.** **09-07**

Assistant Examiner — Marissa J Cash

(52) **U.S. Cl.**

USPC **D9/447; D9/435**

(74) *Attorney, Agent, or Firm* — Husch Blackwell LLP; Daniel S. Cohn

(58) **Field of Classification Search**

USPC D6/452-545; D7/300, 321, 392.1, D7/396.2, 500, 507, 509, 510, 511, 900; D9/434-448, 452-455, 682, 685, 694; 215/200, 235, 236, 252, 254, 329, 215/355-364; 220/203.04-203.07, 220, 220/254.1, 254.4, 556, 703, 704, 705
See application file for complete search history.

(57) **CLAIM**

I claim the ornamental design for a spout, as shown and described.

DESCRIPTION

FIG. 1 is a bottom view of a spout according to my new design;
FIG. 2 is a front view thereof;
FIG. 3 is a right side view thereof;
FIG. 4 is a rear view thereof;
FIG. 5 is a perspective view thereof;
FIG. 6 is a left side view thereof; and,
FIG. 7 is a top view thereof.

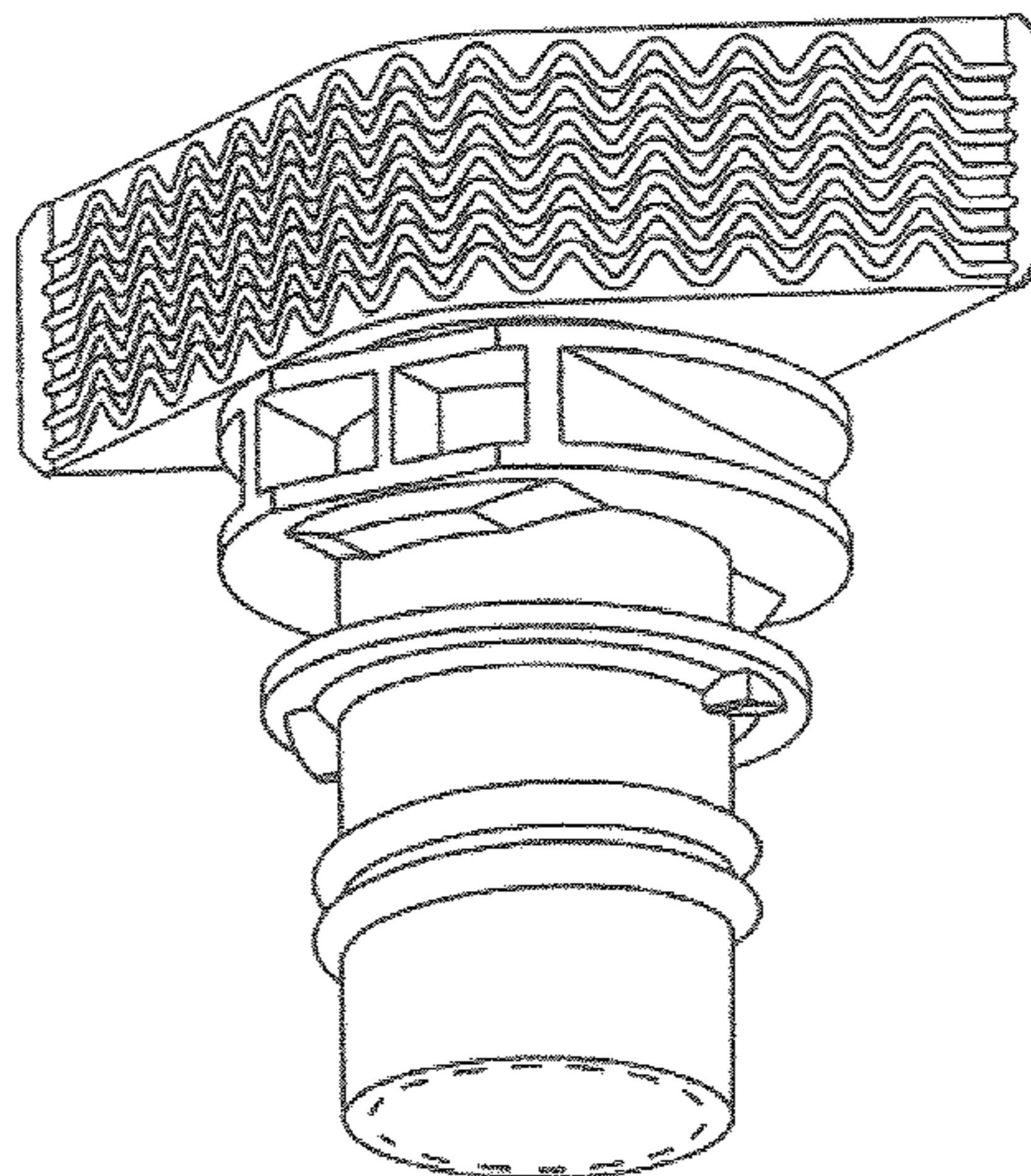
Features shown in broken lines in the drawings relate to unclaimed subject matter and are not part of the claim.

(56) **References Cited**

U.S. PATENT DOCUMENTS

5,855,544	A *	1/1999	Buchanan	493/102
D410,845	S *	6/1999	Anderson	D9/440
D566,554	S *	4/2008	Braukmann et al.	D9/453
D574,241	S *	8/2008	Braukmann et al.	D9/453
D683,219	S	5/2013	Schick		

1 Claim, 7 Drawing Sheets



(56)

References Cited

			EM	1339782-0007	8/2012
			EM	1339782-0008	8/2012
			EM	1339782-0009	8/2012
	FOREIGN PATENT DOCUMENTS		EM	1339782-0010	8/2012
			EP	1254007	9/2004
EM	1339782-0005	8/2012			
EM	1339782-0006	8/2012			

* cited by examiner

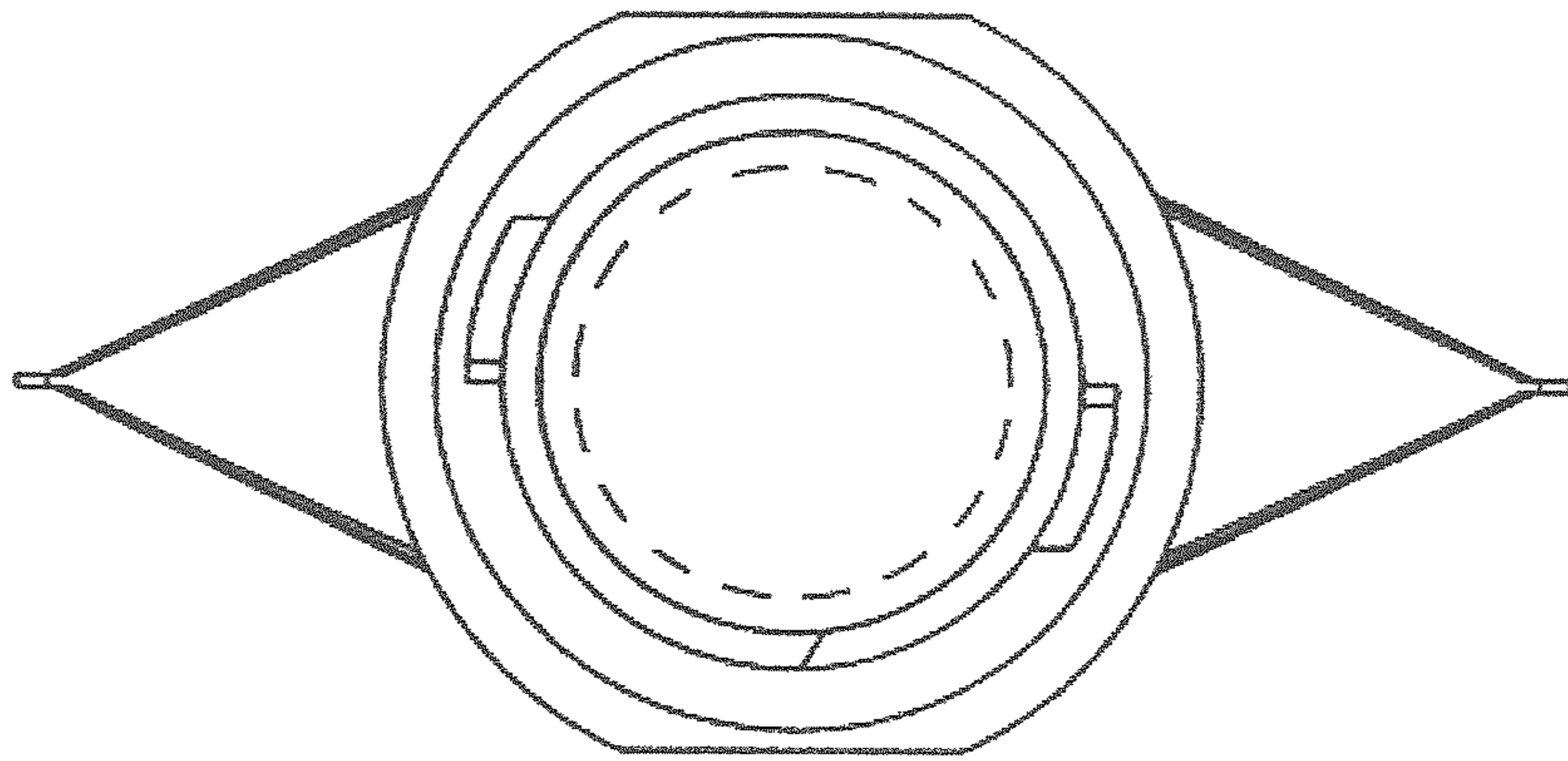


FIG. 1

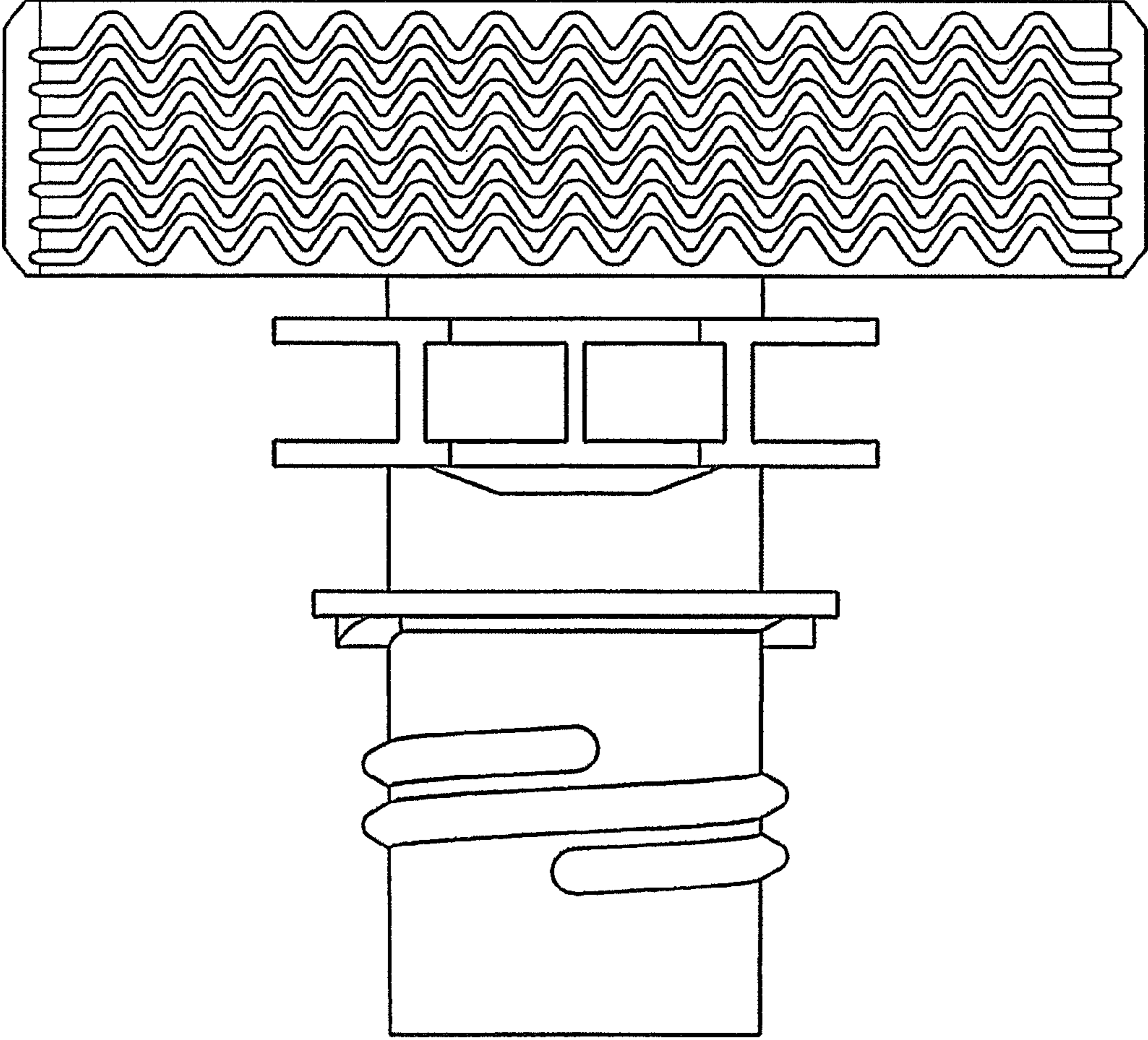


Fig. 2

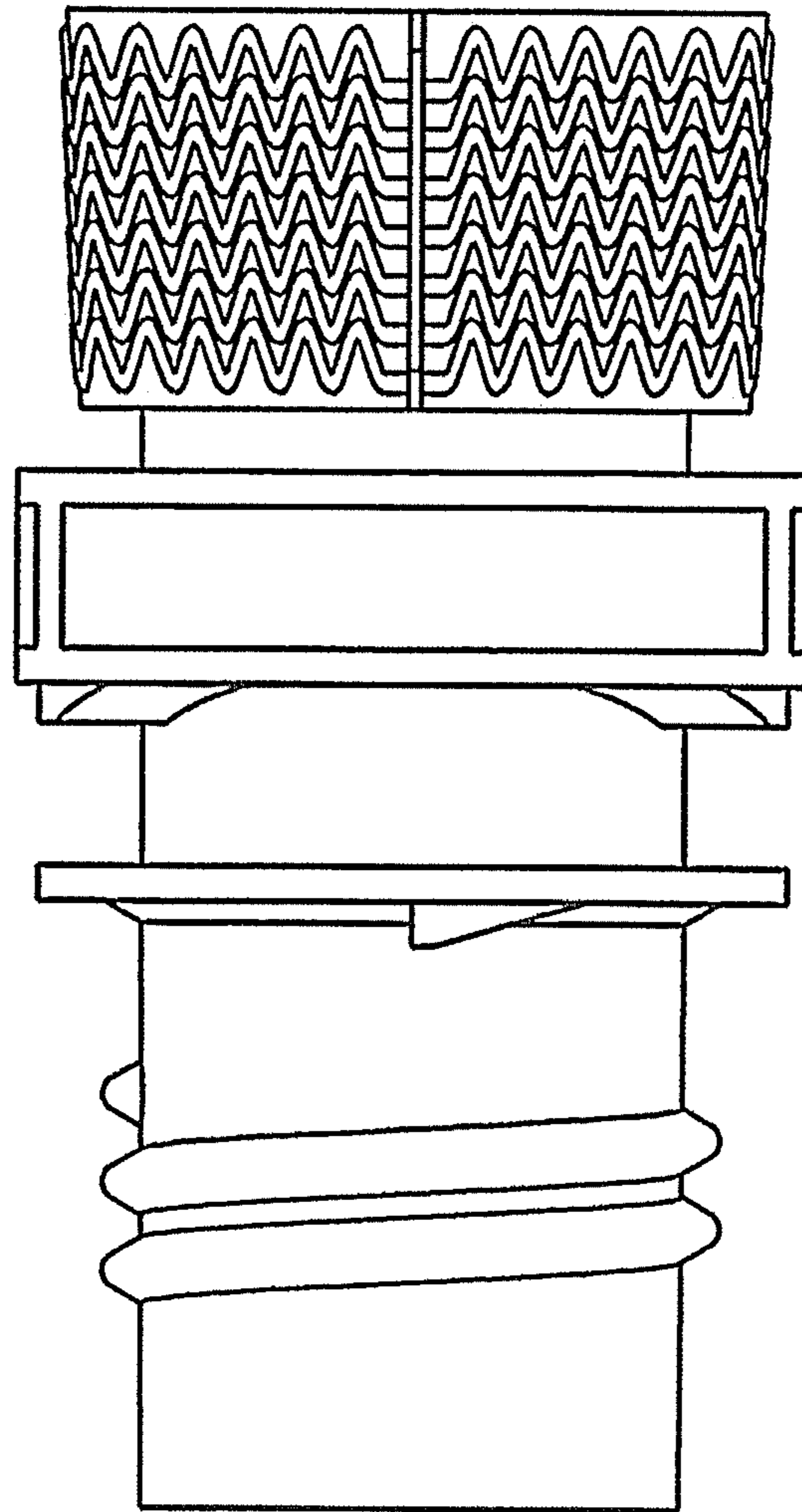


Fig. 3

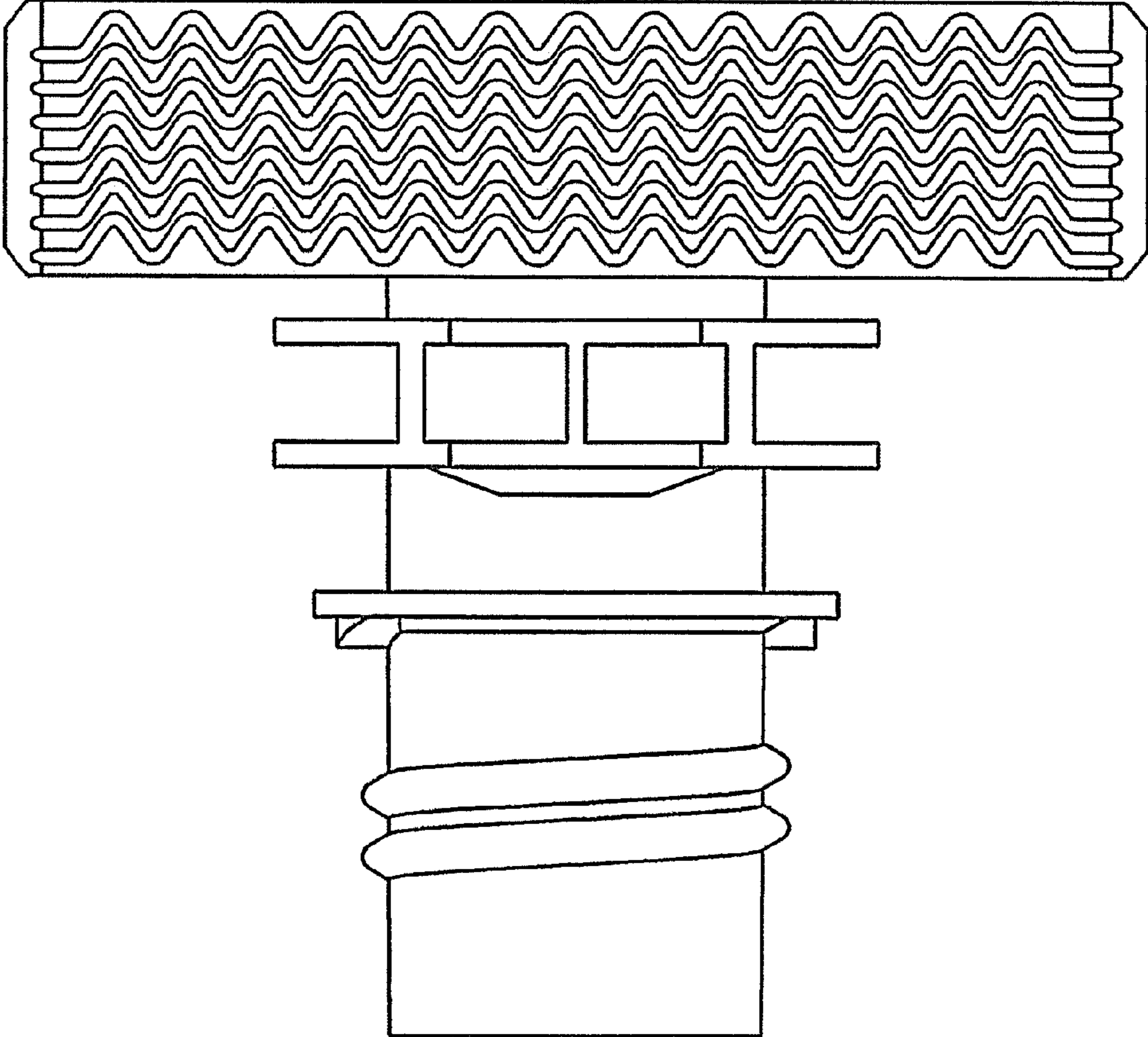


Fig. 4

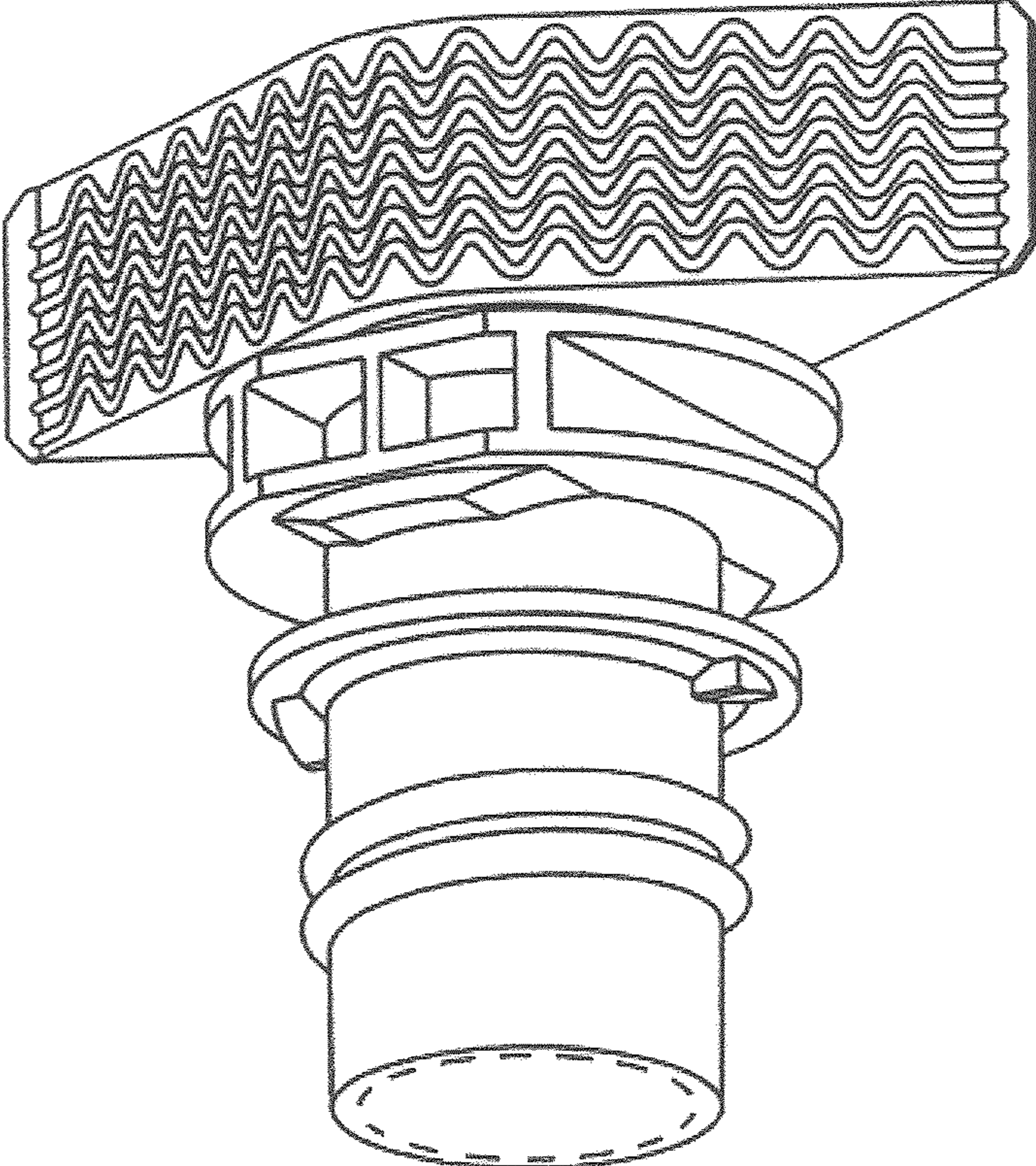


FIG. 5

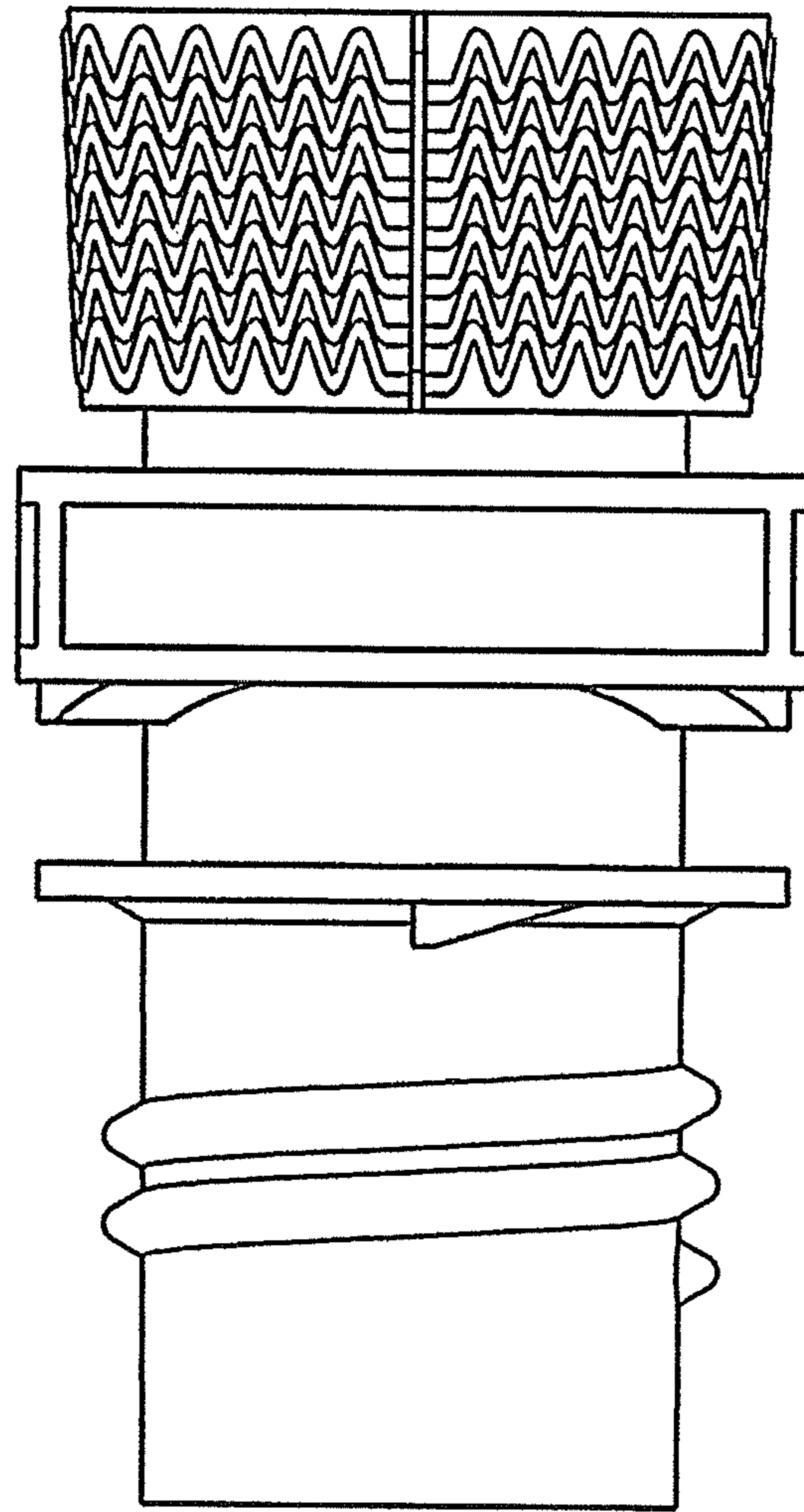


Fig. 6

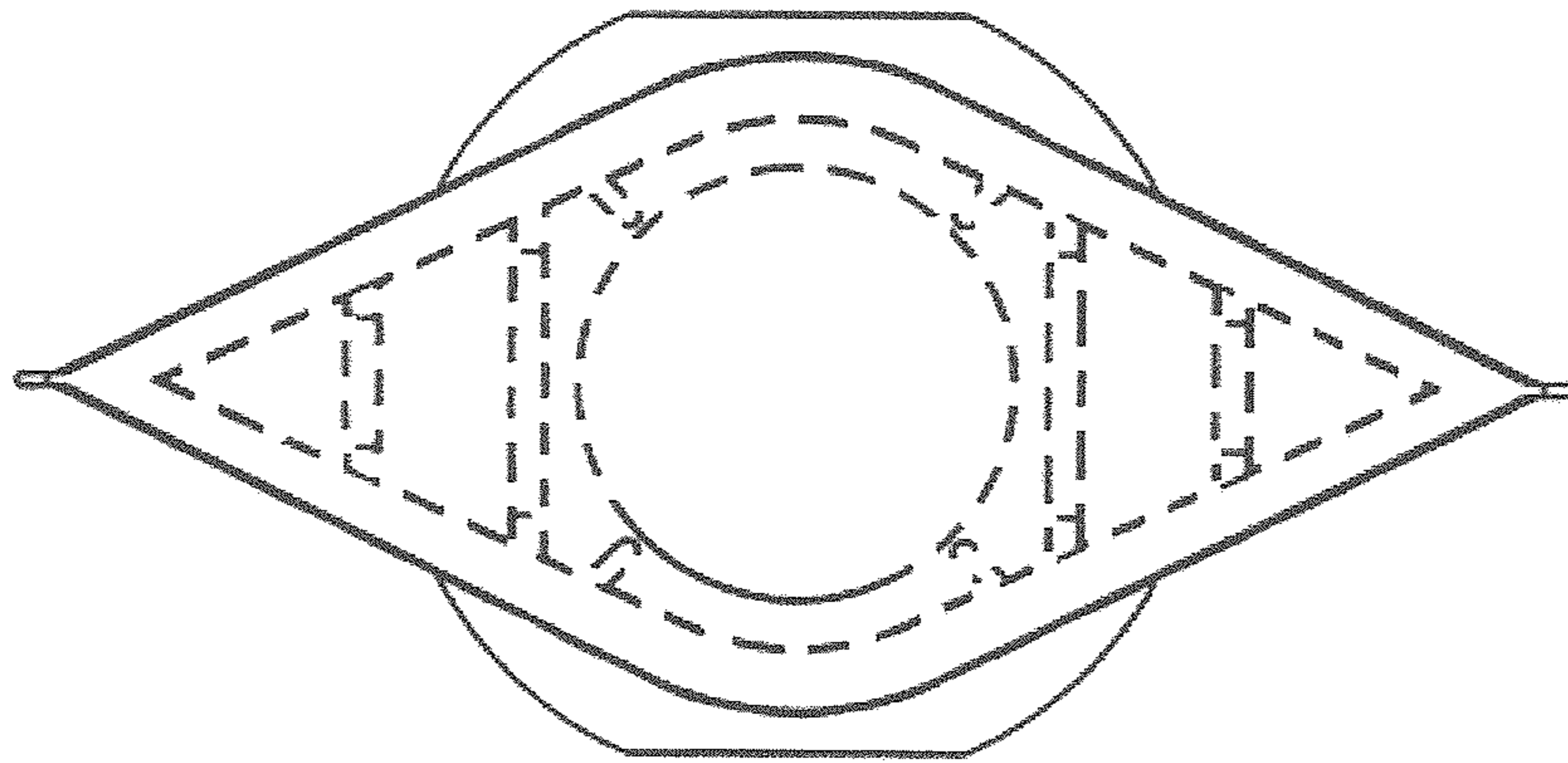


FIG. 7