



US00D738722S

(12) **United States Design Patent**  
**Bennefeld**

(10) **Patent No.:** **US D738,722 S**  
(45) **Date of Patent:** **\*\* Sep. 15, 2015**

(54) **CIGARETTE BOX**

(71) Applicant: **Anthony R. Bennefeld**, Raymore, MO  
(US)

(72) Inventor: **Anthony R. Bennefeld**, Raymore, MO  
(US)

(73) Assignee: **Inside the Box, L.L.C.**, Kansas City,  
MO (US)

(\*\*) Term: **14 Years**

(21) Appl. No.: **29/483,282**

(22) Filed: **Feb. 27, 2014**

(51) **LOC (10) Cl.** ..... **09-03**

(52) **U.S. Cl.**

USPC ..... **D9/432; D9/433**

(58) **Field of Classification Search**

USPC ..... D9/414-434, 442-445, 456-457, 542,  
D9/563, 600, 614-624, 655, 657, 658, 661,  
D9/695, 697-699, 707-708, 711,  
D9/772-776; D7/601, 602, 538, 540,  
D7/550.1; D3/202, 203.5, 203.6, 205;  
D27/183-189

CPC ..... B65D 5/00; B65D 5/001; B65D 5/0015;  
B65D 5/0227-5/0254; B65D 5/0045; B65D  
5/18; B65D 5/2033; B65D 5/38; B65D 5/40;  
B65D 1/22; B65D 1/225; B65D 1/24; B65D  
1/34; B65D 1/38

See application file for complete search history.

(56) **References Cited**

**U.S. PATENT DOCUMENTS**

D187,962 S \* 5/1960 Tamarin ..... D9/433  
D312,213 S \* 11/1990 Forbes, Jr. .... D9/433  
D386,686 S \* 11/1997 Alico et al. .... D9/433

D405,007 S \* 2/1999 Naas, Sr. .... D9/414  
D482,279 S \* 11/2003 Waldburger et al. .... D9/432  
D553,494 S \* 10/2007 Dehlin ..... D9/432  
D635,850 S \* 4/2011 Jones ..... D9/433  
D668,145 S \* 10/2012 Turner ..... D9/432  
D727,143 S \* 4/2015 Gomez ..... D9/432  
2005/0150786 A1 \* 7/2005 Mitten et al. .... 206/259

\* cited by examiner

*Primary Examiner* — Susan Bennett Hattan

*Assistant Examiner* — Vy Koenig

(74) *Attorney, Agent, or Firm* — Erickson Kernell  
Derusseau & Kleyaps, LLC

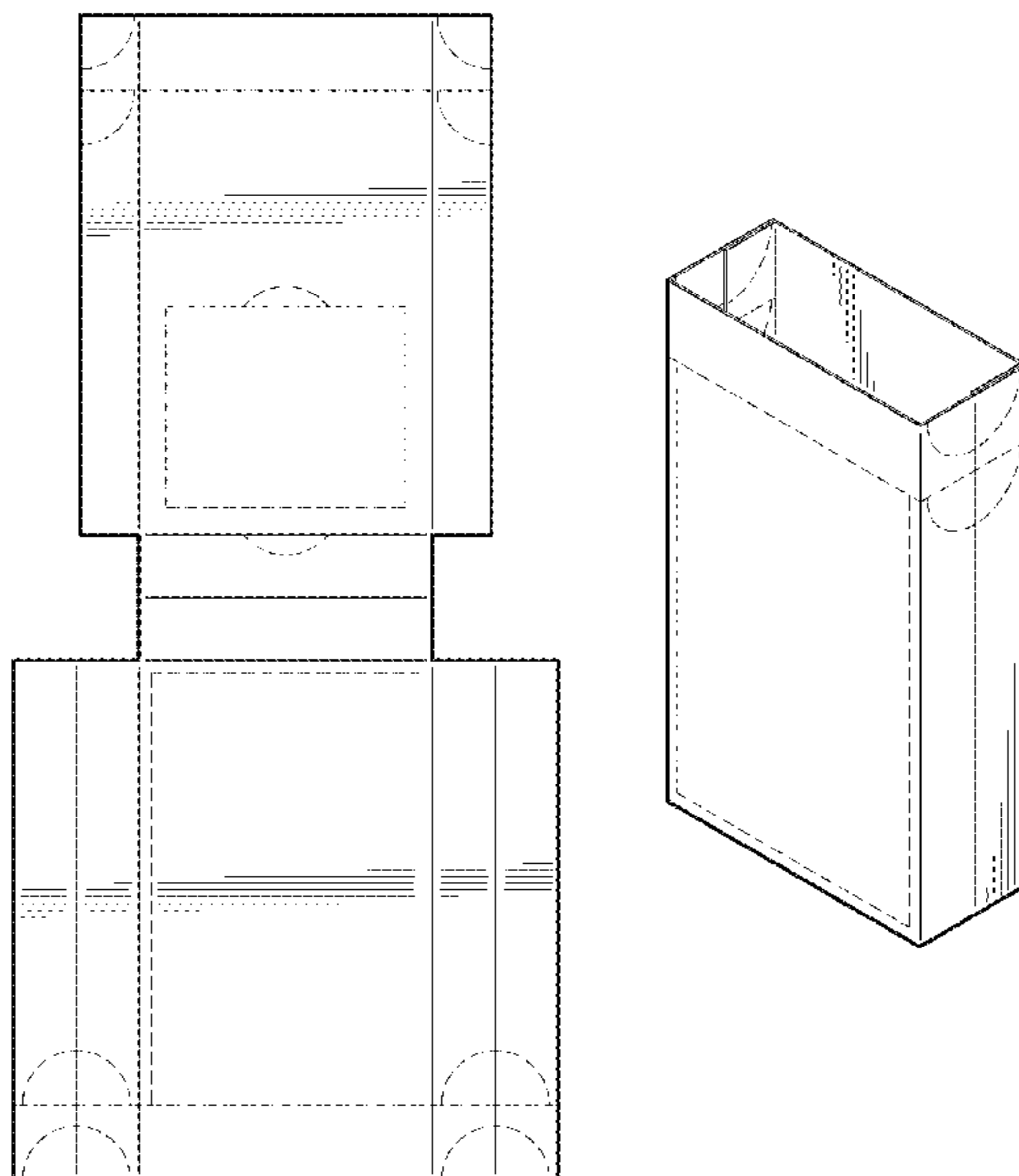
(57) **CLAIM**

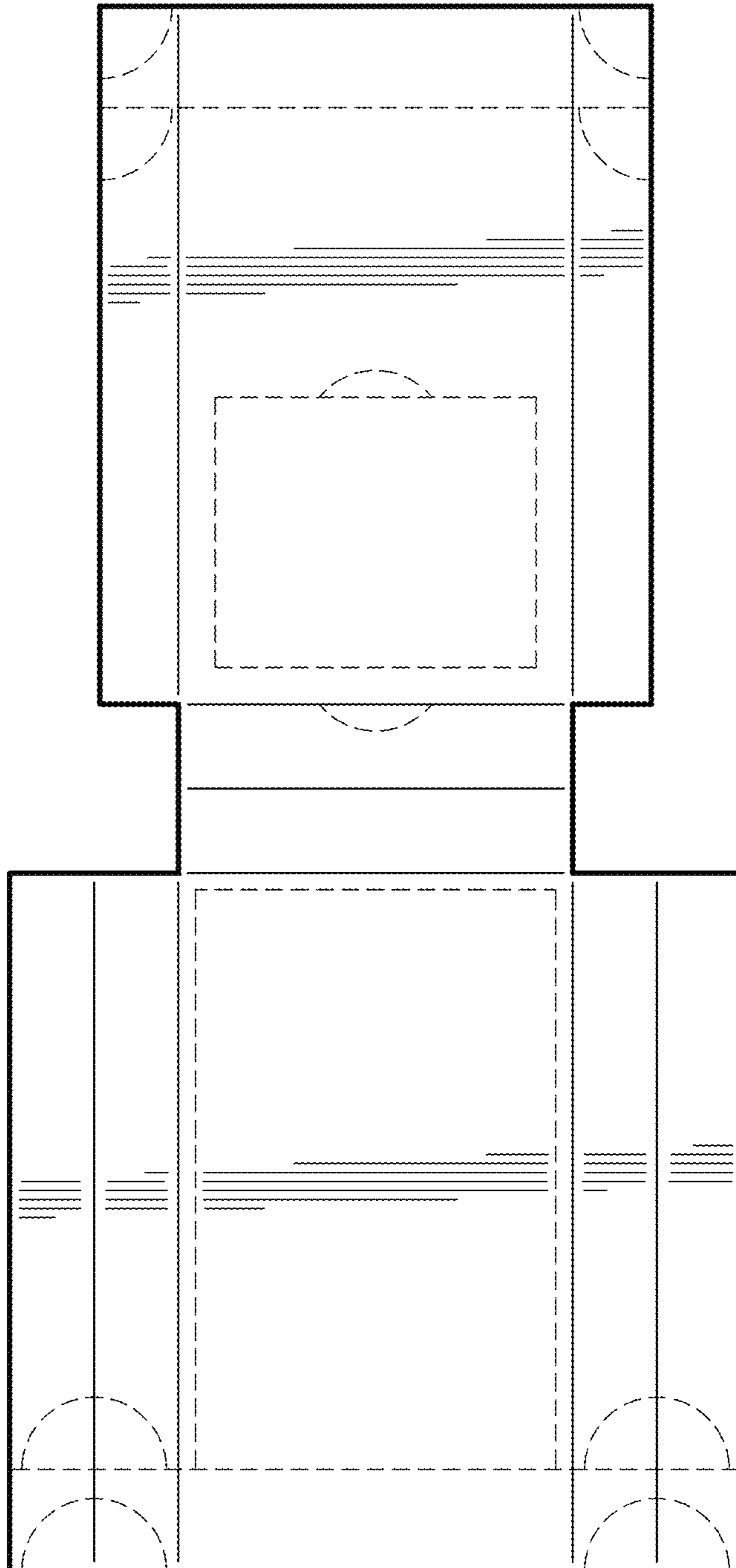
The ornamental design for a cigarette box, as shown and described.

**DESCRIPTION**

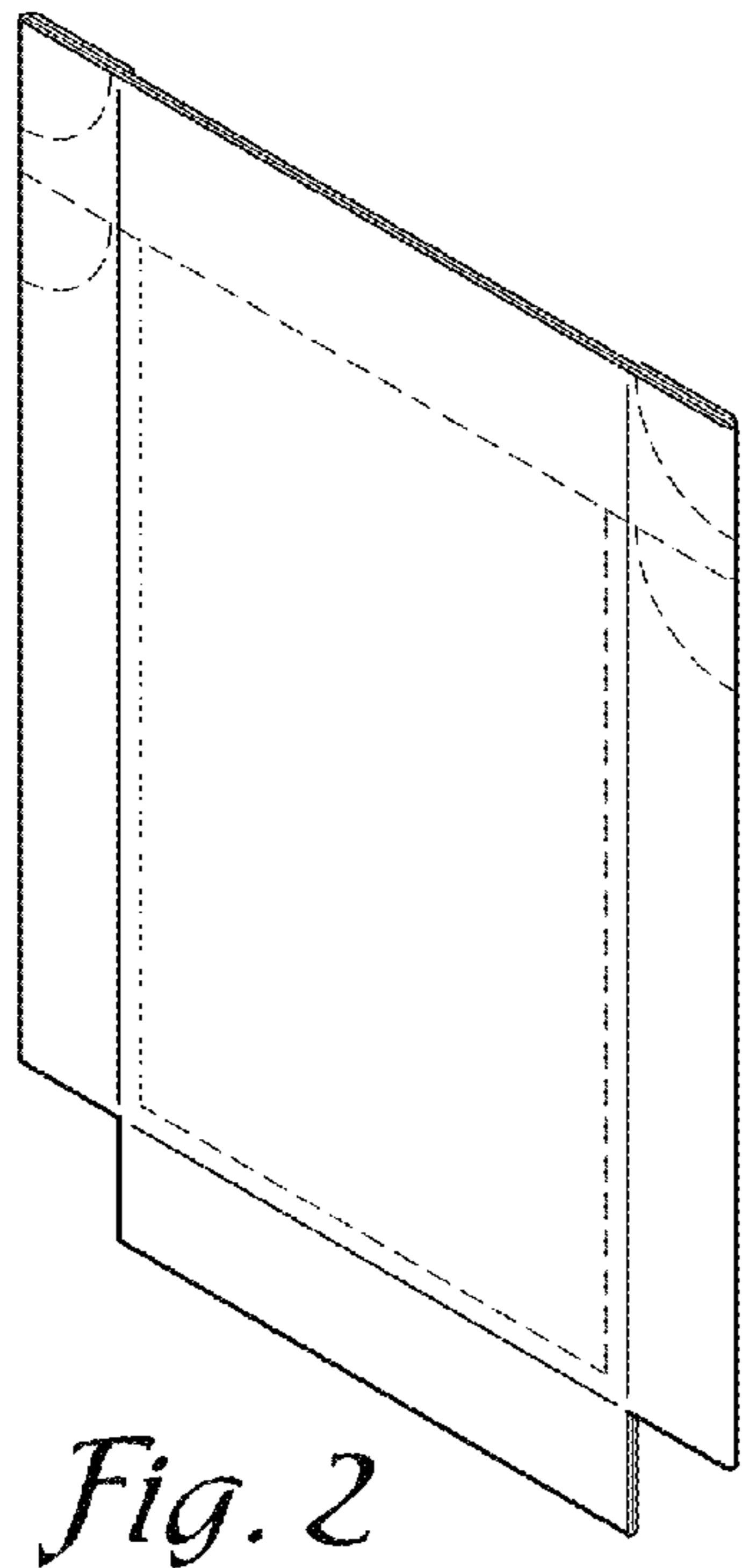
FIG. 1 is a plan view of a cigarette box showing my new design in a flat, blank configuration;  
FIG. 2 is rear perspective view of the cigarette box showing my new design in an assembled and collapsed configuration;  
FIG. 3 is a top end view thereof;  
FIG. 4 is a rear elevation view thereof;  
FIG. 5 is a bottom end view thereof;  
FIG. 6 is a side elevation view thereof;  
FIG. 7 is a front elevation view thereof;  
FIG. 8 is a rear perspective view of the cigarette box showing my new design in an assembled and open configuration;  
FIG. 9 is a top end view thereof;  
FIG. 10 is a rear elevation view thereof;  
FIG. 11 is a bottom elevation view thereof;  
FIG. 12 is a front elevation view thereof; and,  
FIG. 13 is a side elevation view thereof.  
The broken lines in FIGS. 1-13 are perforations and form no part of the design.

**1 Claim, 3 Drawing Sheets**

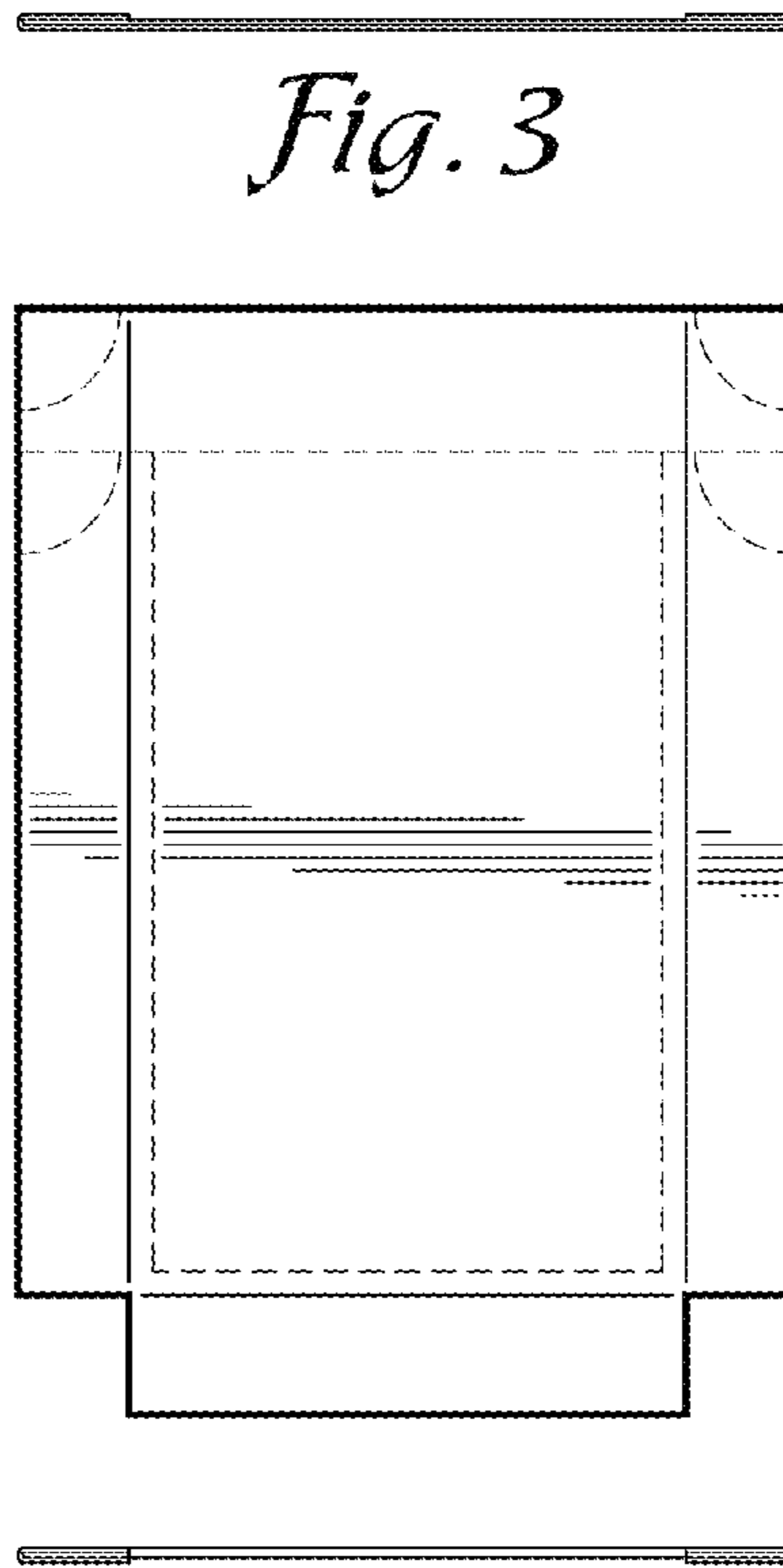




*Fig. 1*

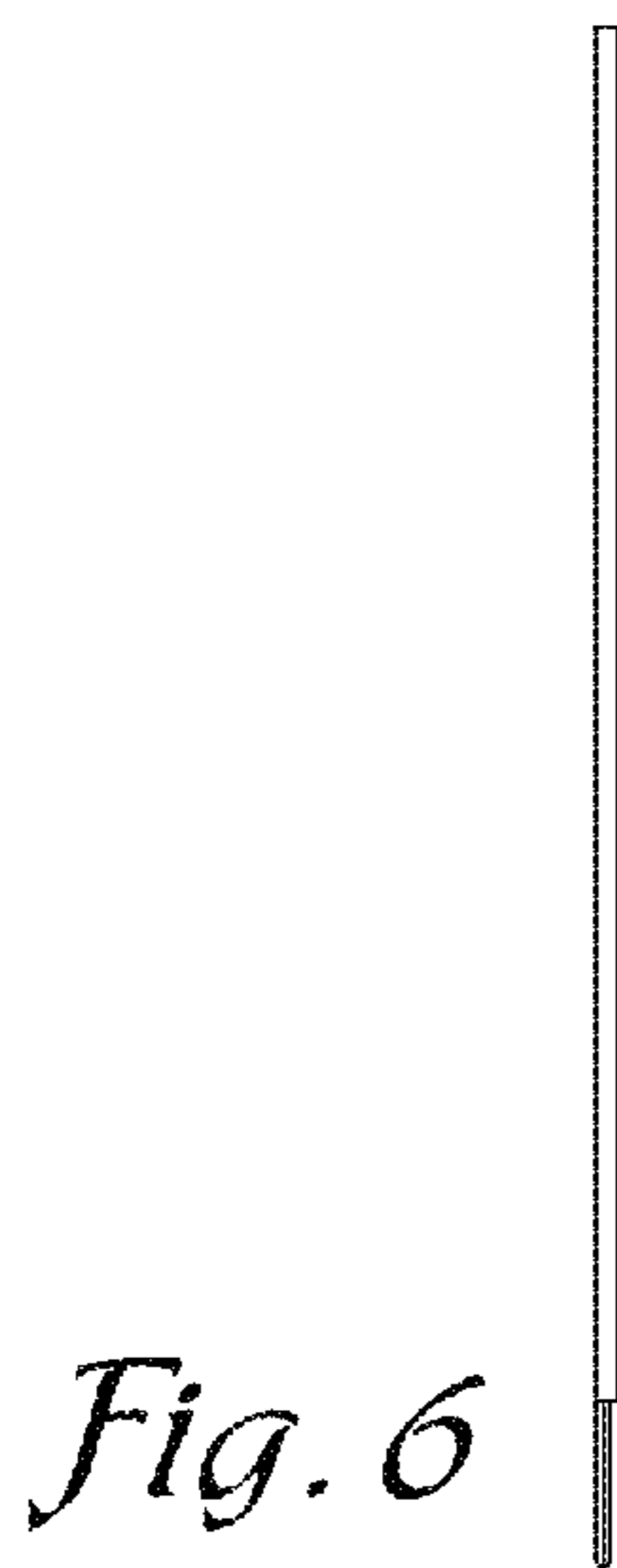


*Fig. 2*

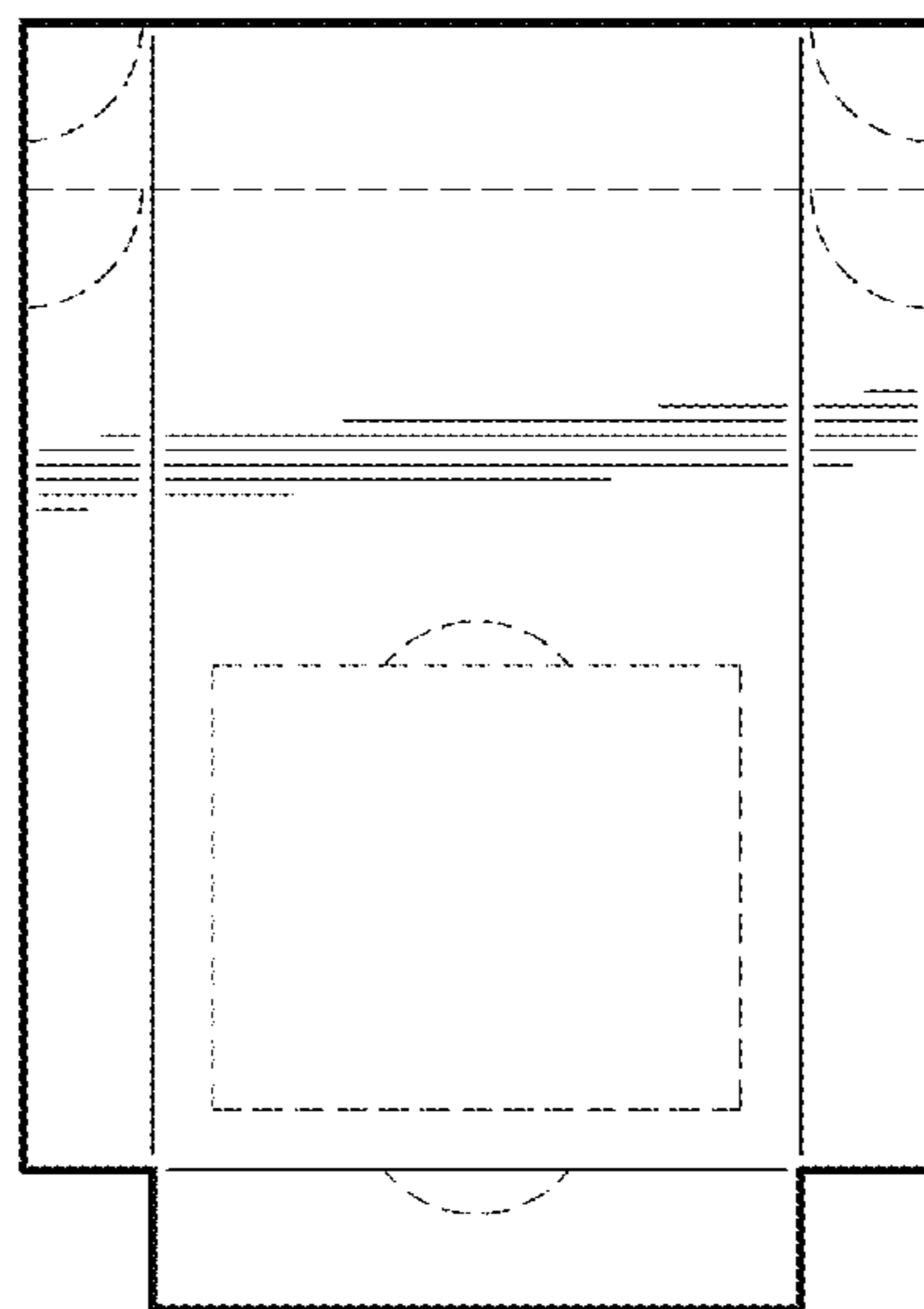


*Fig. 3*

*Fig. 4*

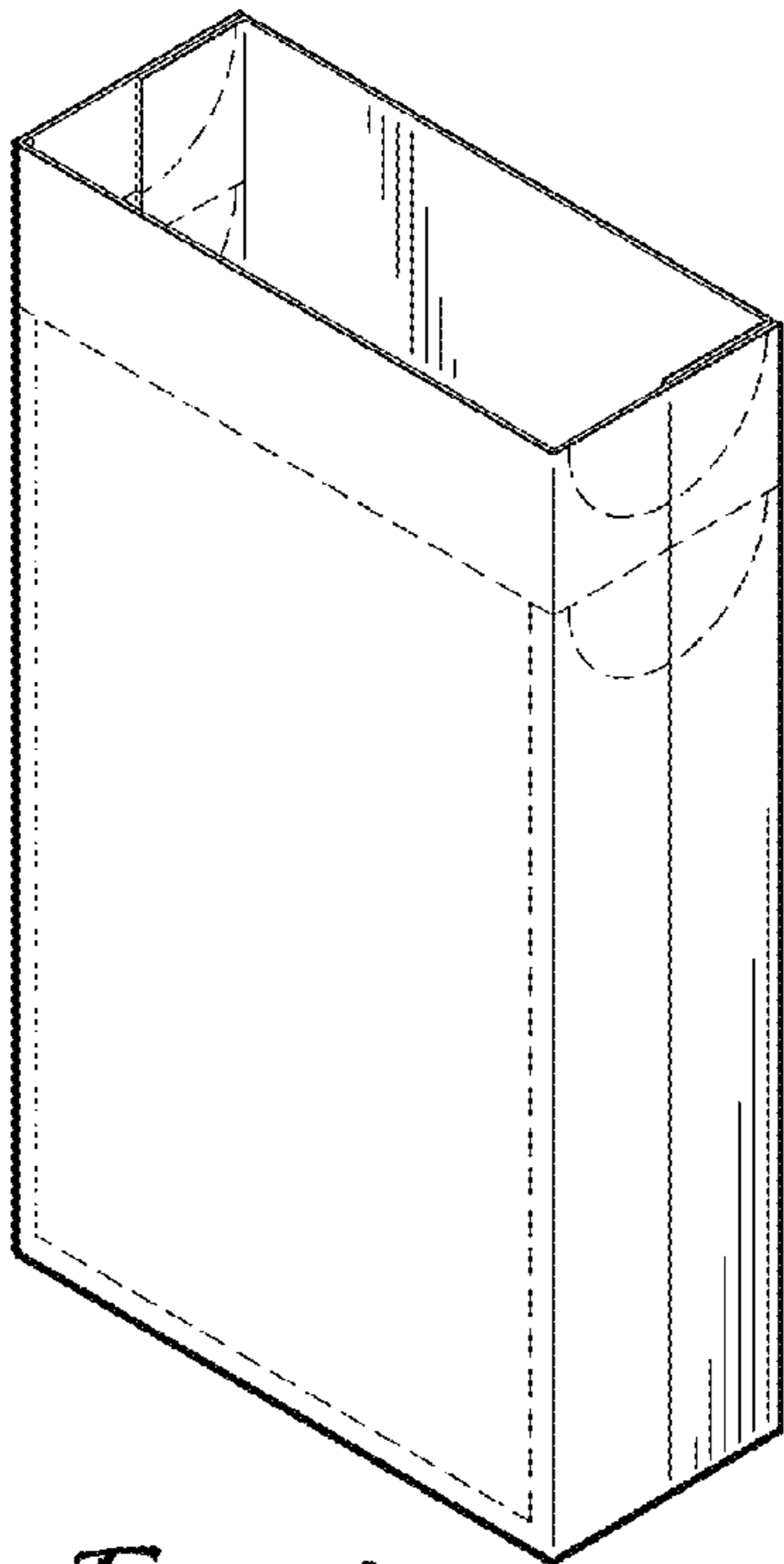


*Fig. 6*

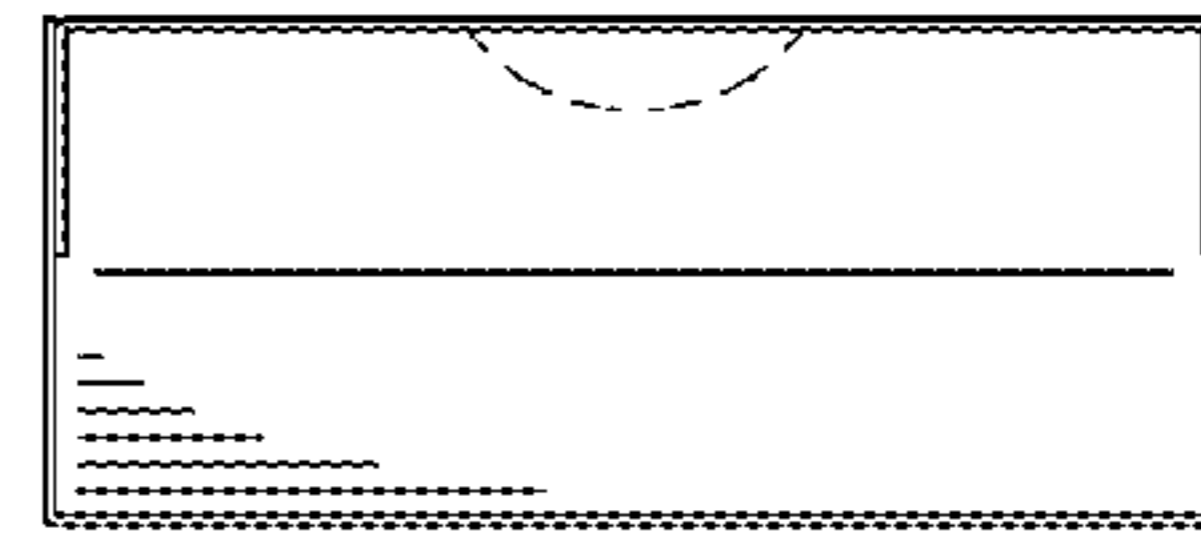


*Fig. 7*

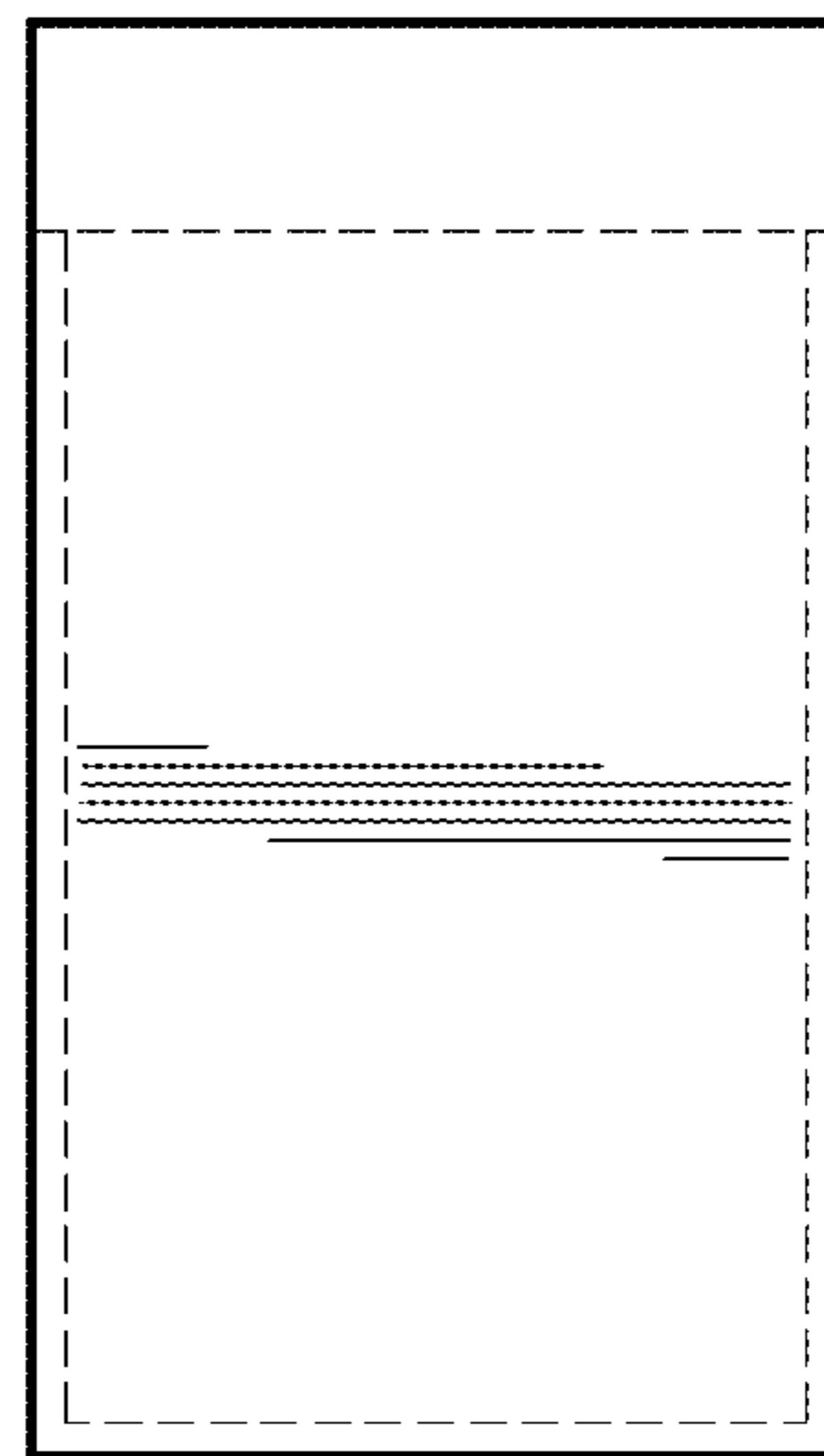
*Fig. 5*



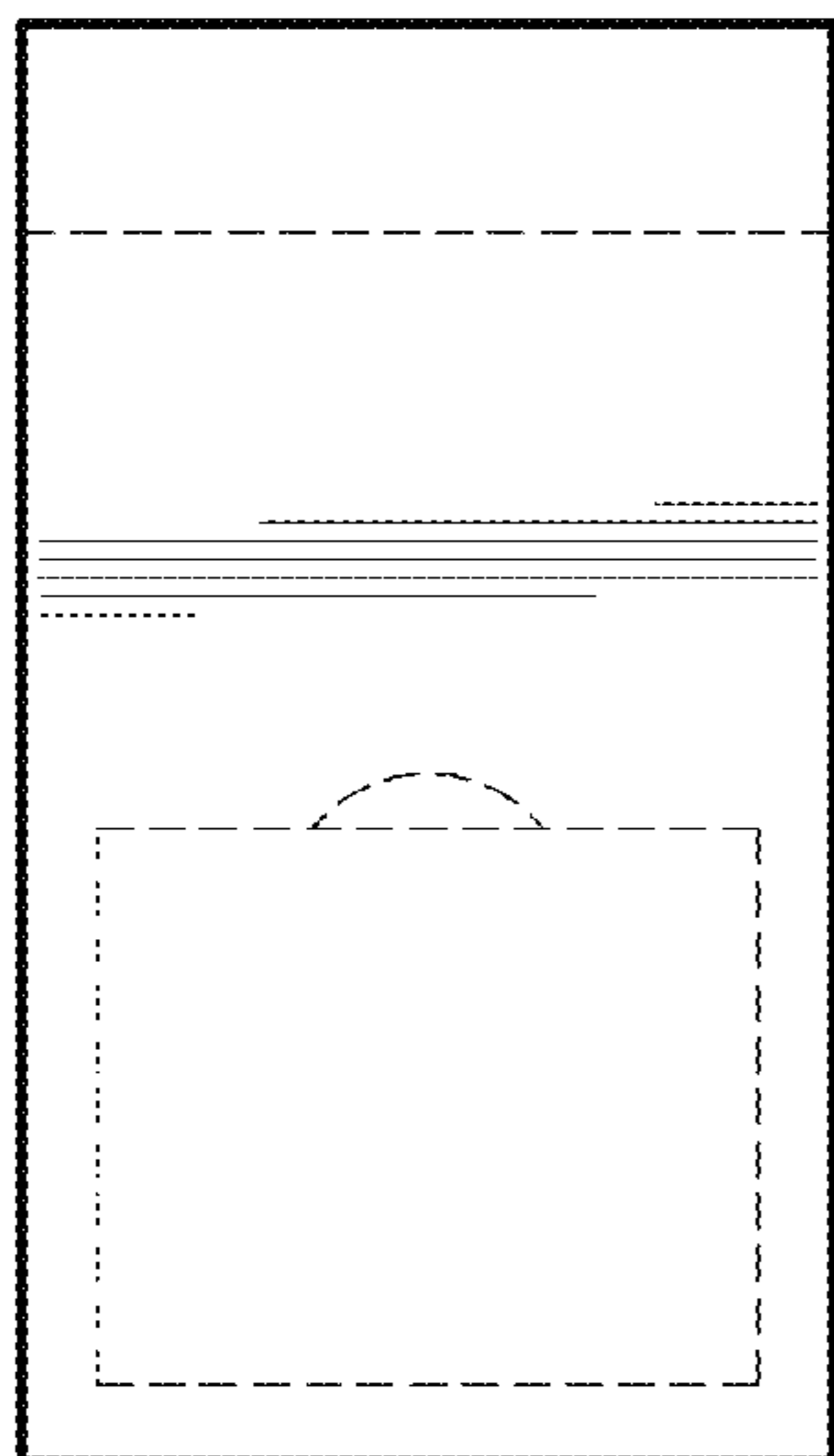
*Fig. 8*



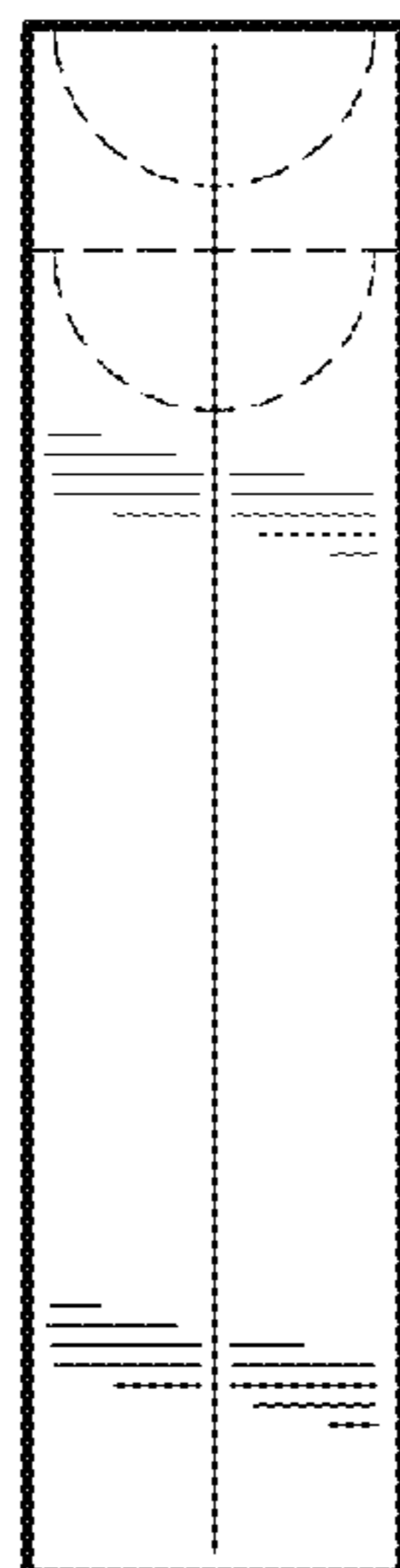
*Fig. 9*



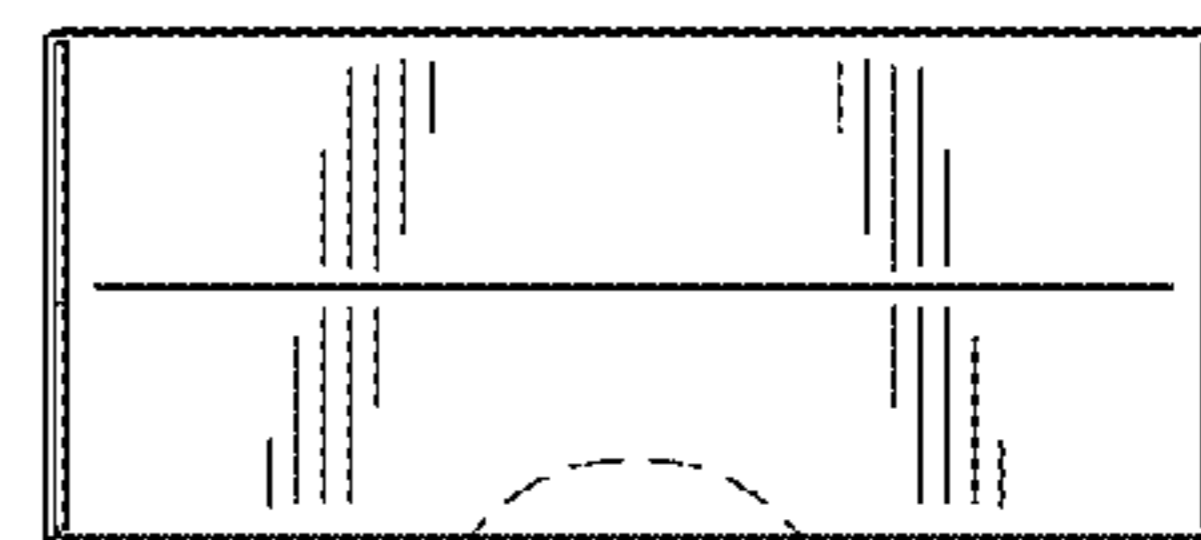
*Fig. 10*



*Fig. 12*



*Fig. 13*



*Fig. 11*