



US00D738716S

(12) **United States Design Patent**  
**Nettenstrom et al.**

(10) **Patent No.:** **US D738,716 S**  
(45) **Date of Patent:** **\*\* Sep. 15, 2015**

(54) **PACKAGE**

(71) Applicant: **Nicoventures Holdings Limited**,  
London (GB)

(72) Inventors: **Matthew Nettenstrom**, Oakbrook  
Terrace, IL (US); **Tom McKeon**,  
Oakbrook Terrace, IL (US); **Justin  
Peart**, Oakbrook Terrace, IL (US)

(73) Assignee: **Nicoventures Holdings Limited**,  
London (GB)

(\*\*) Term: **14 Years**

(21) Appl. No.: **29/487,789**

(22) Filed: **Apr. 11, 2014**

(30) **Foreign Application Priority Data**

Oct. 14, 2013 (EM) ..... 001387104

(51) **LOC (10) Cl.** ..... **09-03**

(52) **U.S. Cl.**  
USPC ..... **D9/418**

(58) **Field of Classification Search**  
USPC ..... D9/418, 414, 421, 434, 423, 415, 721,  
D9/432; D7/538; D27/189; 206/769, 303,  
206/765, 777, 574, 783; 229/162.7, 162.3  
CPC .... B65D 5/4204; B65D 5/5007; B65D 85/02;  
A47F 7/03; A41H 3/08

See application file for complete search history.

(56) **References Cited**

**U.S. PATENT DOCUMENTS**

2,034,809	A *	3/1936	Grant	.....	206/303
2,464,951	A *	3/1949	Stengren	.....	206/765
2,700,456	A *	1/1955	Gillam	.....	206/777
3,033,357	A *	5/1962	Vogel	.....	206/574
3,207,411	A *	9/1965	Farquhar	.....	229/162.3
3,680,687	A *	8/1972	D'Alessio	.....	206/783
4,109,786	A *	8/1978	Roccaforte et al.	.....	206/783
5,271,552	A *	12/1993	McDonnell	.....	229/162.7
D405,007	S *	2/1999	Naas, Sr.	.....	D9/414

D557,135	S *	12/2007	Demalsche et al.	.....	D9/418
D563,218	S *	3/2008	DeMalsche et al.	.....	D9/418
D579,325	S *	10/2008	Bray et al.	.....	D9/423
D590,249	S *	4/2009	Yanchev	.....	D9/421
D600,110	S *	9/2009	Cain	.....	D9/418
D600,547	S *	9/2009	Cain	.....	D9/418
D601,747	S *	10/2009	Tabrah	.....	D27/189
D630,503	S *	1/2011	Abdalkhani et al.	.....	D9/418
D636,663	S *	4/2011	Work et al.	.....	D9/418
D638,291	S *	5/2011	England	.....	D9/432
D652,321	S *	1/2012	Melnick	.....	D9/721
D668,540	S *	10/2012	Lutzig	.....	D9/432
D678,057	S *	3/2013	Holford	.....	D9/434
D679,950	S *	4/2013	Cooper	.....	D7/538
D681,445	S *	5/2013	van Landsveld et al.	.....	D9/423
D691,464	S *	10/2013	Lee et al.	.....	D9/415
D695,605	S *	12/2013	Johnson	.....	D9/423
D699,103	S *	2/2014	Rathbone et al.	.....	D9/418
D702,546	S *	4/2014	McAdam	.....	D9/418
D704,049	S *	5/2014	Ridenour	.....	D9/418
D710,713	S *	8/2014	Fath	.....	D9/721
2012/0061290	A1 *	3/2012	Delaunay et al.	.....	206/769

\* cited by examiner

*Primary Examiner* — Holly Baynham

*Assistant Examiner* — Rhea Shields

(74) *Attorney, Agent, or Firm* — NW Poulsen

(57) **CLAIM**

The ornamental design for a package, as shown and described.

**DESCRIPTION**

FIG. 1 is a perspective view of the package, showing our new design;

FIG. 2 is a front view thereof;

FIG. 3 is a back view thereof;

FIG. 4 is a right-side view thereof;

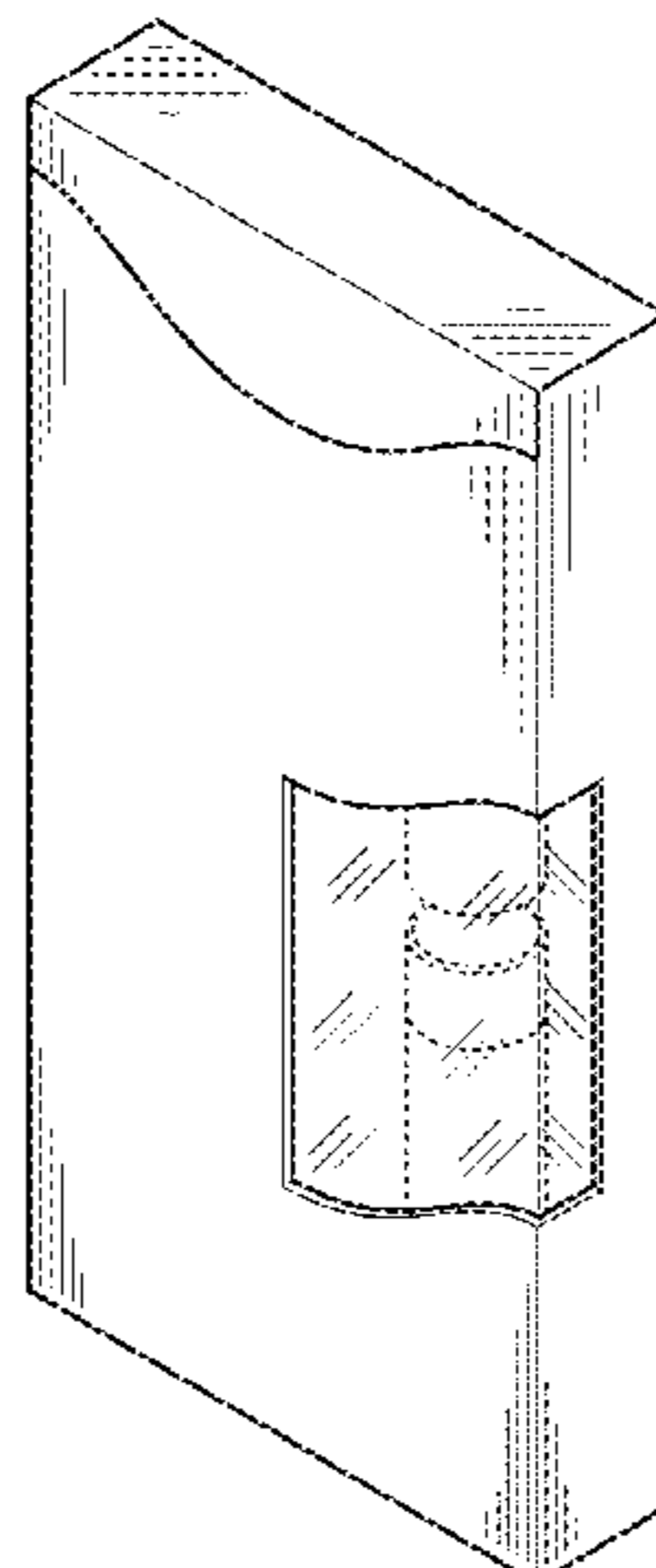
FIG. 5 is a left-side view thereof;

FIG. 6 is a top view thereof; and,

FIG. 7 is a bottom view thereof.

In the drawings, the broken lines are for the purpose of illustrating environment only and form no part of the claimed design.

**1 Claim, 7 Drawing Sheets**



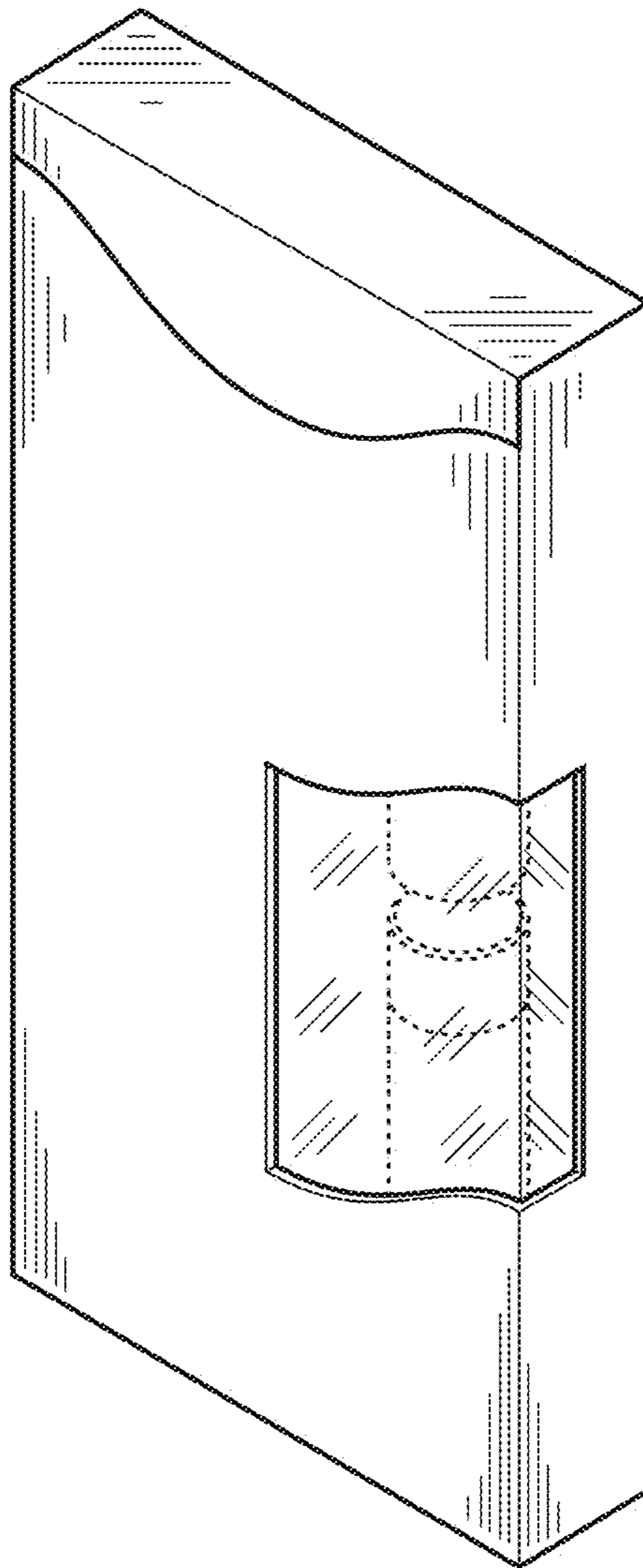


FIG. 1

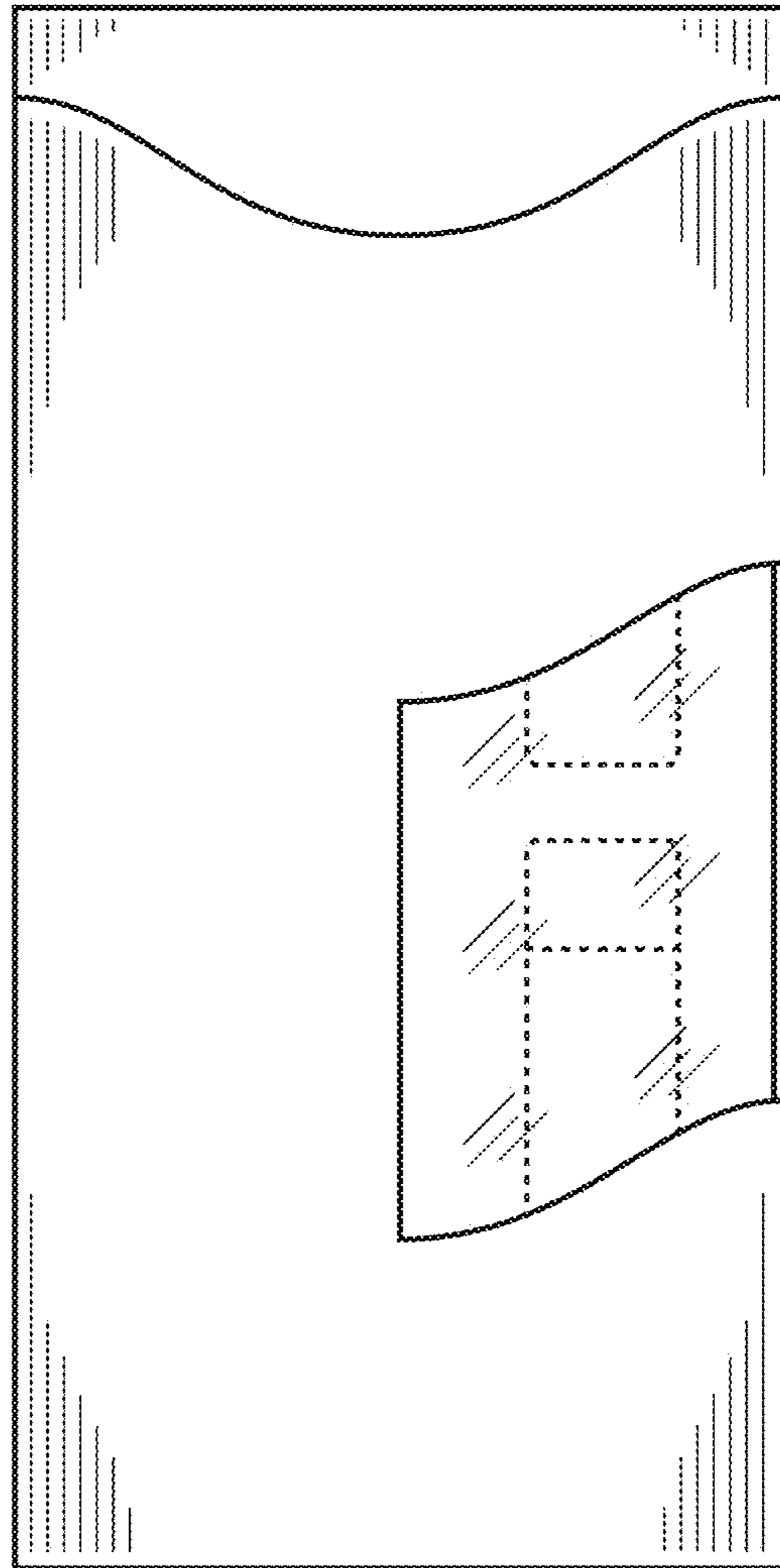


FIG. 2

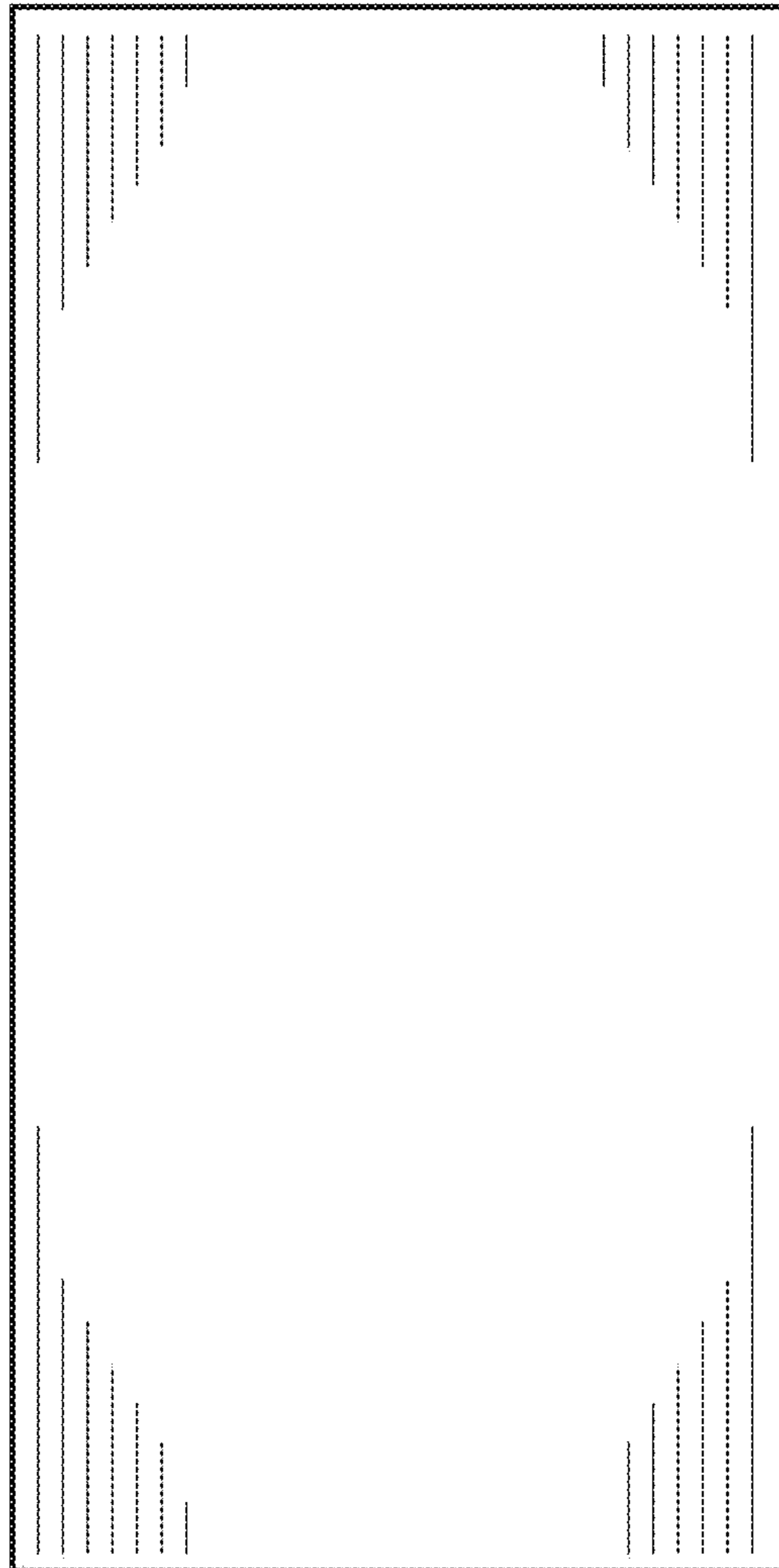


FIG. 3

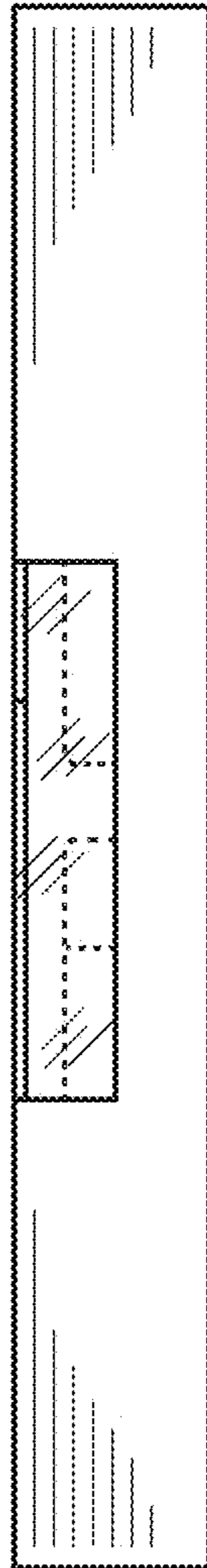


FIG. 4

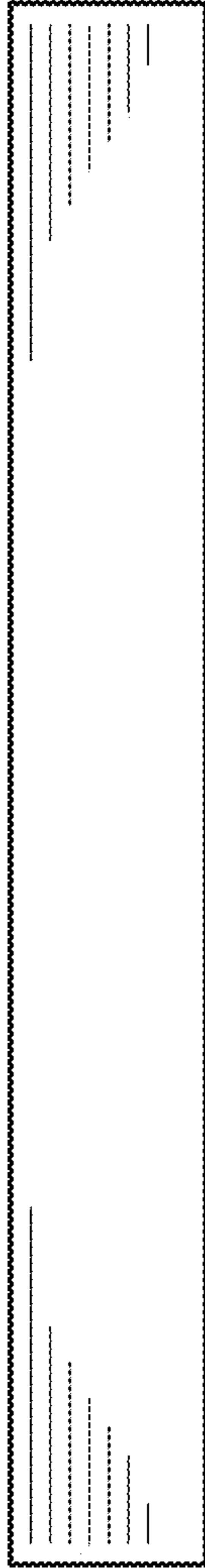


FIG. 5



FIG. 6



FIG. 7