



US00D738714S

(12) **United States Design Patent**
Kuhmichel et al.

(10) **Patent No.:** **US D738,714 S**
(45) **Date of Patent:** **** Sep. 15, 2015**

(54) **NUT AND SEAL**

(71) Applicant: **Weber Maschinenbau GmbH**
Breidenbach, Breidenbach (DE)

(72) Inventors: **Christoph Kuhmichel**, Bad Berleburg (DE); **Franziska Rupp**, Breidenbach (DE); **Volkan Yokaribas**, Breidenbach (DE); **Steffen Biernath**, Neubrandenburg (DE)

3,702,628 A	11/1972	Cosenza
D233,652 S	11/1974	Wing
4,019,550 A	4/1977	DeHaitre
D244,908 S	7/1977	Hatter et al.
D244,909 S	7/1977	Gill
D311,131 S	10/1990	Saito
D332,568 S *	1/1993	Ozawa D8/397
6,071,052 A	6/2000	Kerr
D446,111 S	8/2001	Hussaini
D459,207 S	6/2002	Miyata
D519,076 S	4/2006	Fox

(Continued)

(73) Assignee: **Weber Maschinenbau GmbH**
Breidenbach, Breidenbach (DE)

FOREIGN PATENT DOCUMENTS

(**) Term: **14 Years**

DE	43 11 547 A1	10/1994
DE	29 722 827 U1	2/1998

(Continued)

(21) Appl. No.: **29/484,801**

OTHER PUBLICATIONS

(22) Filed: **Mar. 13, 2014**

Translation of German Search Report dated Apr. 8, 2012 relating to German Application No. 10 2012 210 700.2.

(Continued)

Related U.S. Application Data

(62) Division of application No. 29/441,501, filed on Jan. 7, 2013, now Pat. No. Des. 704,543.

(51) **LOC (10) Cl.** **08-08**

(52) **U.S. Cl.**
USPC **D8/397**

(58) **Field of Classification Search**
USPC D8/397, 394, 382, 399, 356, 354, 349;
D15/140; 16/2.1; 220/575; 206/521.15;
24/302, 16 R, 306; 439/501, 578;
381/374; D14/217, 205; 411/302, 427,
411/429, 432, 918, 179, 180; D13/151, 133
See application file for complete search history.

Primary Examiner — Cynthia Underwood

(74) *Attorney, Agent, or Firm* — Gifford, Krass, Sprinkle, Anderson & Citkowski, P.C.

(57) **CLAIM**

The ornamental design for a nut and seal, as shown and described.

DESCRIPTION

FIG. 1 is a front elevational view illustrating a preferred embodiment of the nut and seal of the present invention, said front elevational view being identical to a rear elevational view;

FIG. 2 is a top plan view thereof; and,

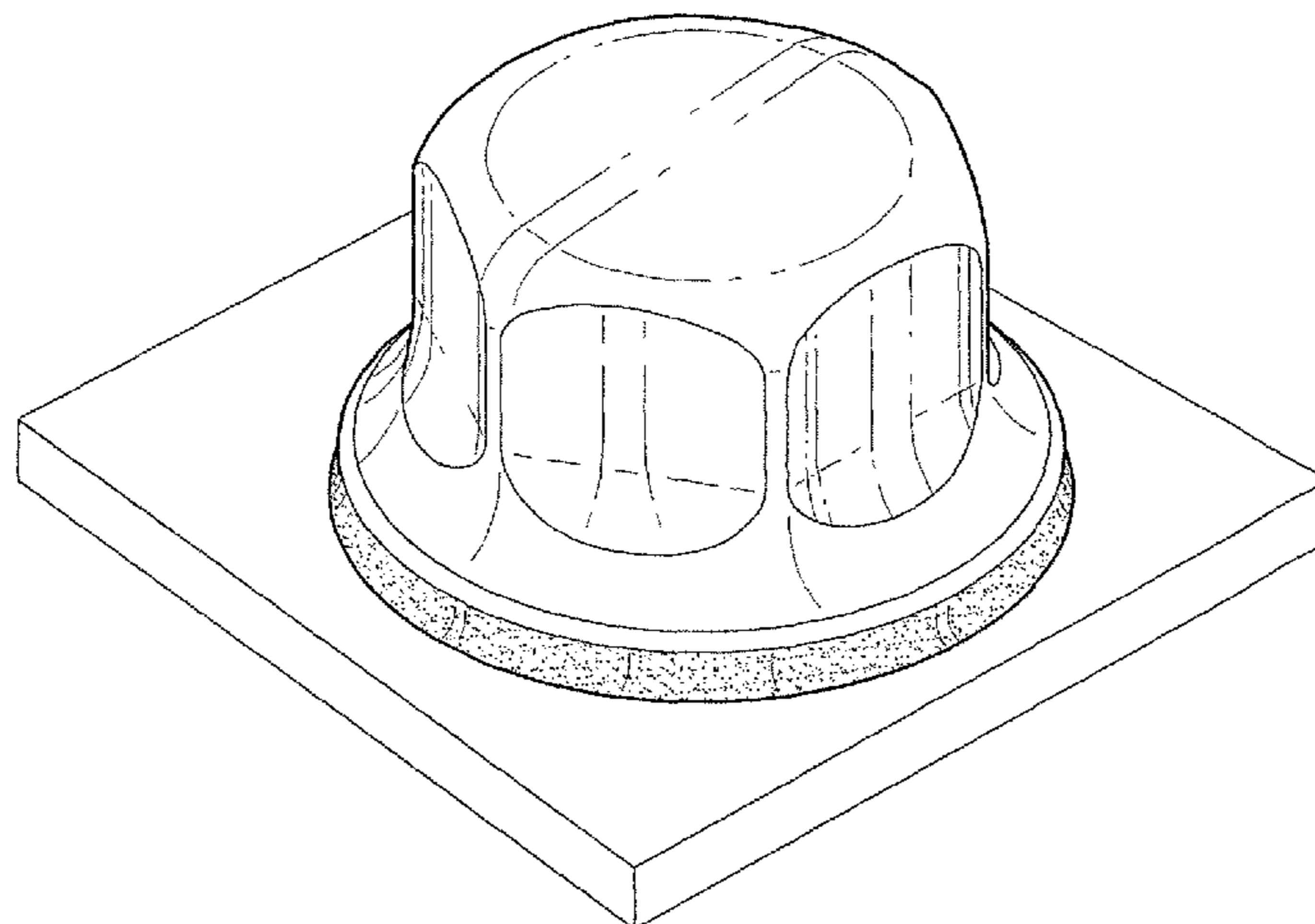
FIG. 3 is a front view of the design which is identical to the rear view thereof.

(56) **References Cited**

U.S. PATENT DOCUMENTS

1,029,775 A	6/1912	Tobin
2,552,794 A	5/1951	Kimbell
2,727,551 A	12/1955	Rees
D220,027 S	3/1971	Myers
D223,187 S	3/1972	Wing

1 Claim, 1 Drawing Sheet



(56)

References Cited

U.S. PATENT DOCUMENTS

D521,858 S * 5/2006 Roy D8/397
7,063,565 B2 6/2006 Ward
D535,259 S 1/2007 Rodrigues et al.
D551,972 S 10/2007 Jacobs et al.
D581,777 S 12/2008 Huang
D601,507 S 10/2009 Rodrigues
D654,421 S * 2/2012 Sugiyama et al. D12/400
8,210,783 B2 7/2012 Morrison
D679,988 S 4/2013 Yamazaki
D712,712 S * 9/2014 Liu D8/14
D713,705 S * 9/2014 Mina et al. D8/68
D713,714 S * 9/2014 Kishida D8/397

D717,273 S * 11/2014 Thomas D14/205
2003/0039527 A1 * 2/2003 Schatz 411/9
2005/0136735 A1 6/2005 Rodrigues et al.

FOREIGN PATENT DOCUMENTS

DE 20 2010 005 054 U1 8/2011
EP 1 065 388 A1 1/2001
EP 2 322 811 A1 5/2011
GB 813048 A 5/1959

OTHER PUBLICATIONS

Translation of European Search Report dated Oct. 22, 2013 relating to European Patent Application No. 13 17 3377.

* cited by examiner

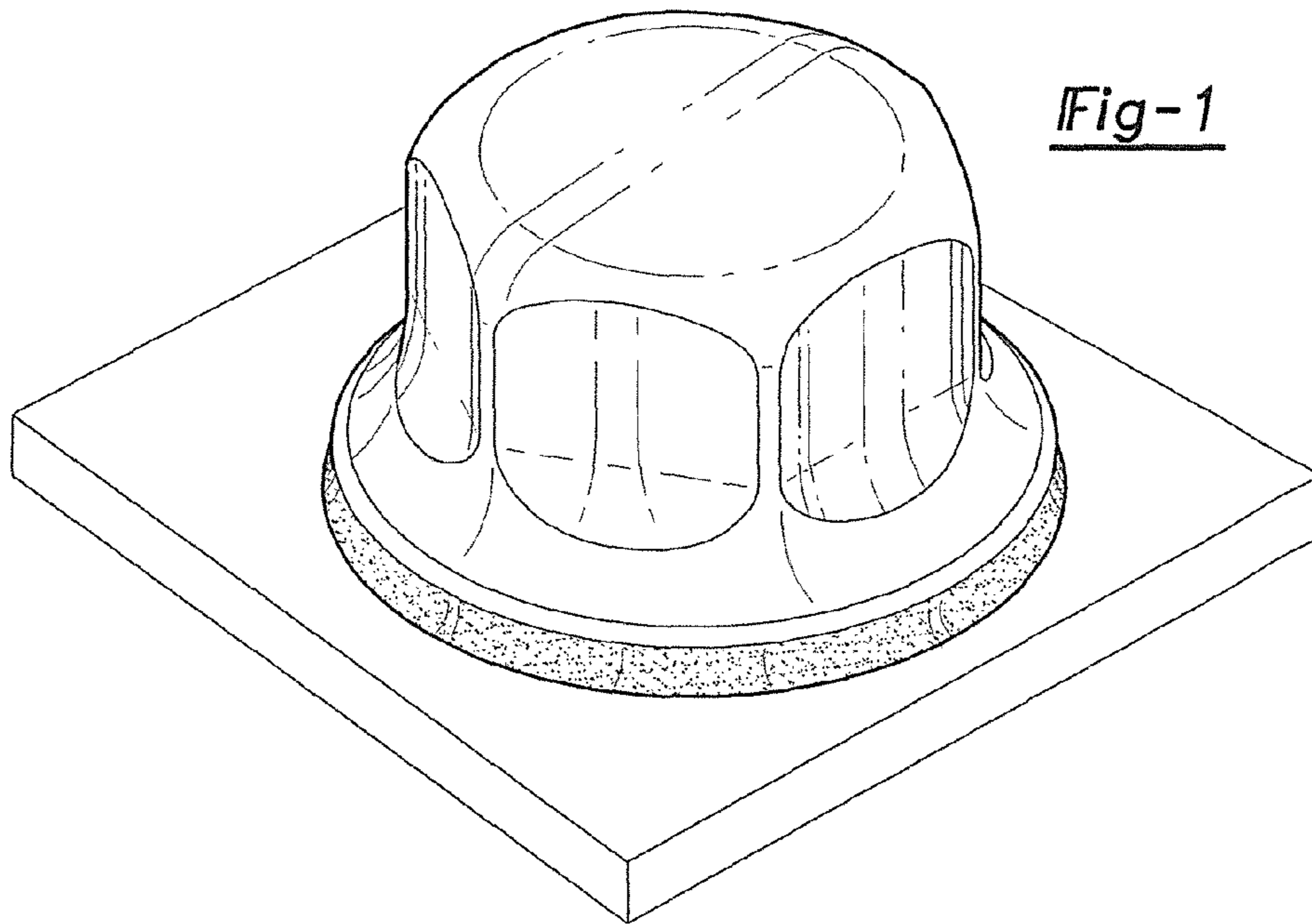


Fig-1

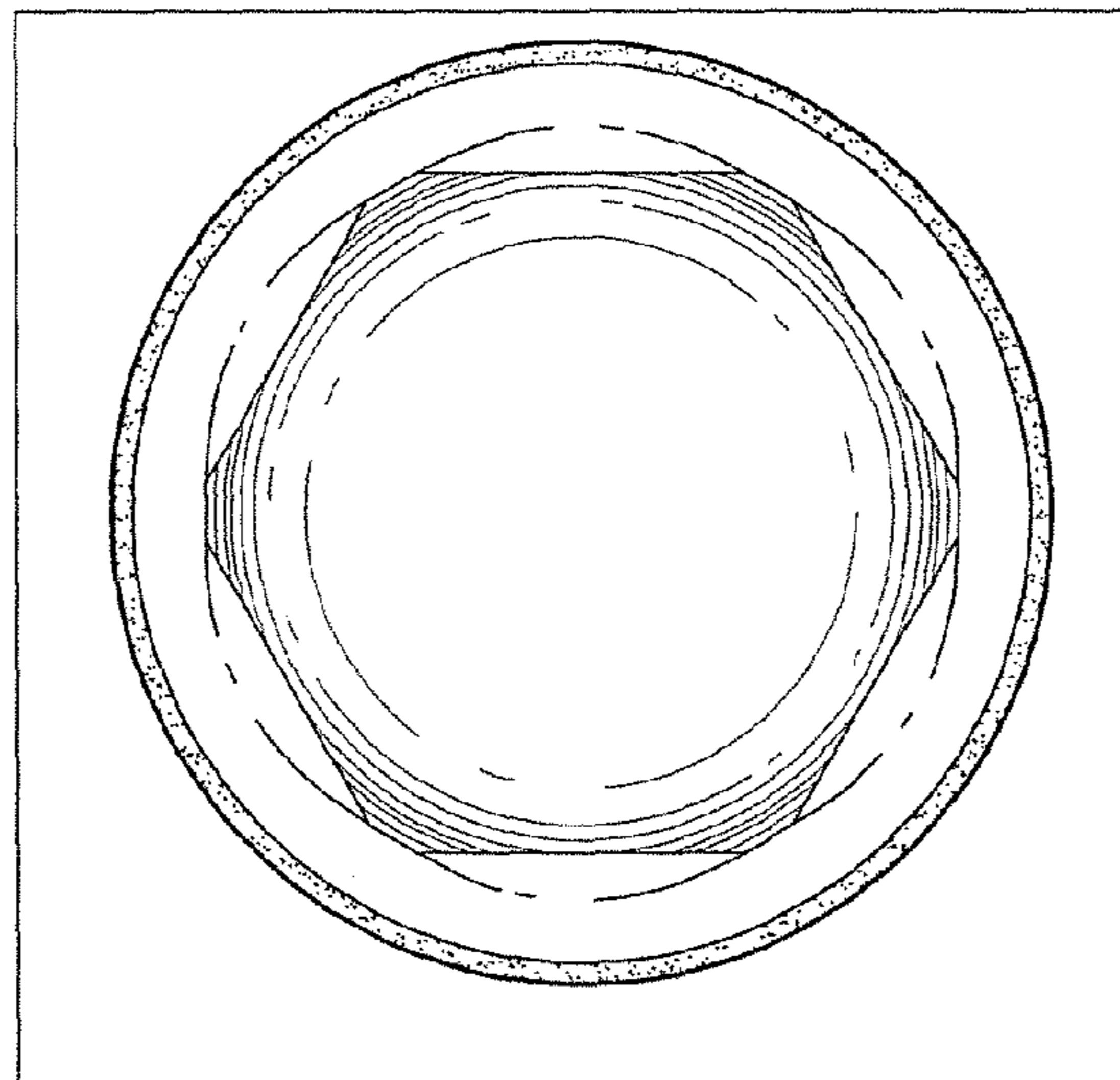


Fig-2

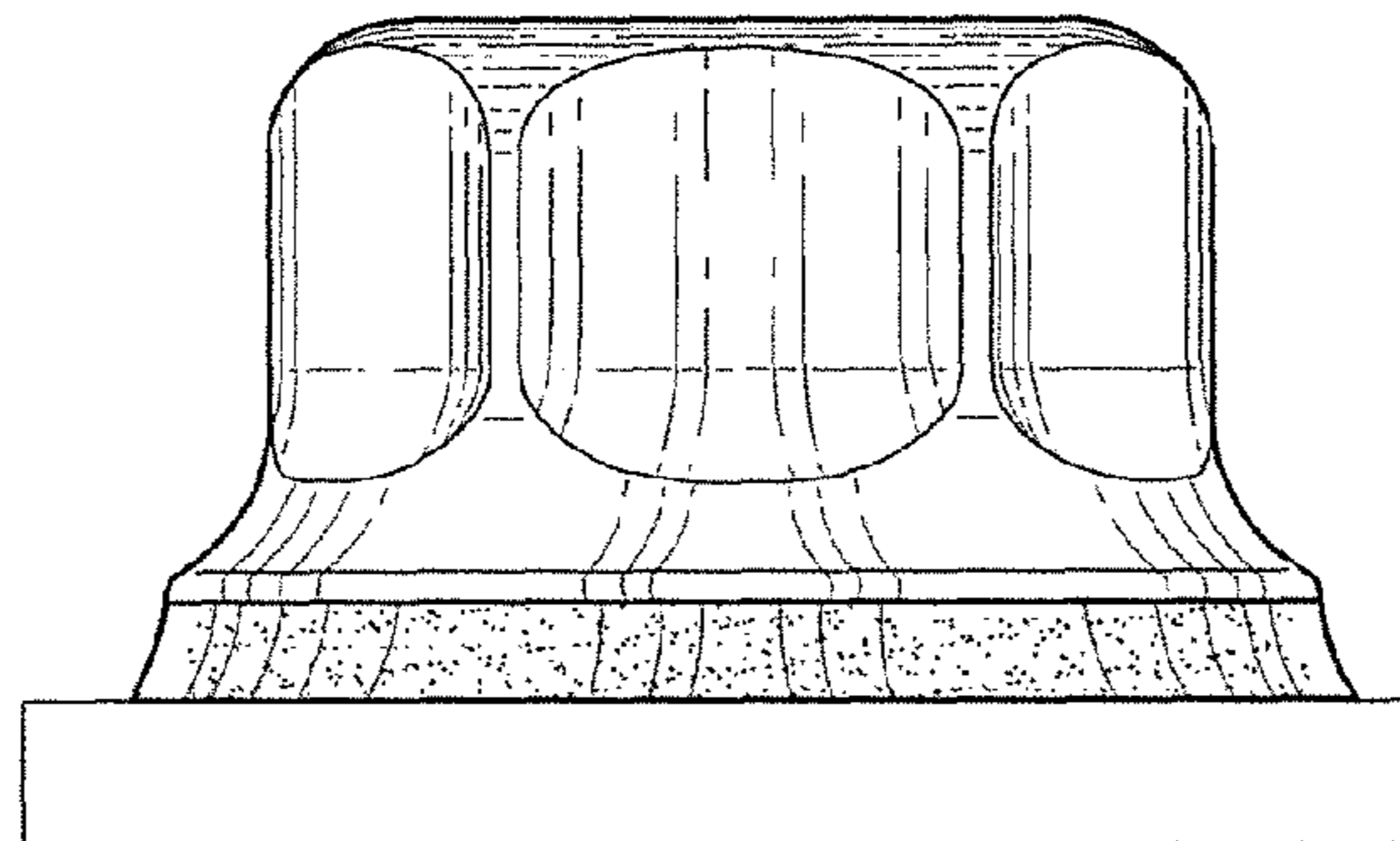


Fig-3