



US00D738713S

(12) **United States Design Patent**
Volin

(10) **Patent No.:** **US D738,713 S**
(45) **Date of Patent:** **** Sep. 15, 2015**

- (54) **PANEL-WIRE CLIP**
- (71) Applicant: **Dee Volin**, Fairview, OR (US)
- (72) Inventor: **Dee Volin**, Fairview, OR (US)
- (**) Term: **14 Years**
- (21) Appl. No.: **29/476,354**
- (22) Filed: **Dec. 12, 2013**
- (51) **LOC (10) Cl.** **08-08**
- (52) **U.S. Cl.**
USPC **D8/394**
- (58) **Field of Classification Search**
USPC D8/394-396, 71-74, 499, 354-355
CPC D06F 55/00; A41B 3/08; A41F 15/02
See application file for complete search history.

D583,995 S *	12/2008	Pichon	D28/40
D600,544 S *	9/2009	Klaus et al.	D8/395
D600,871 S *	9/2009	Keylikhes	D32/61
D602,770 S *	10/2009	Fernandez	D8/376
D669,773 S *	10/2012	Colasse	D8/395
D722,490 S *	2/2015	Lyons et al.	D8/395

OTHER PUBLICATIONS

Fensavr Fence post support system, website copyright 2011, online, site visited Jul. 17, 2015, <http://www.barbed-wire-fence.com/fensavr-fencepost-support.html>.*

* cited by examiner

Primary Examiner — John Windmuller
Assistant Examiner — John R Yeh

(57) **CLAIM**
The ornamental design for a panel-wire clip, as shown.

(56) **References Cited**

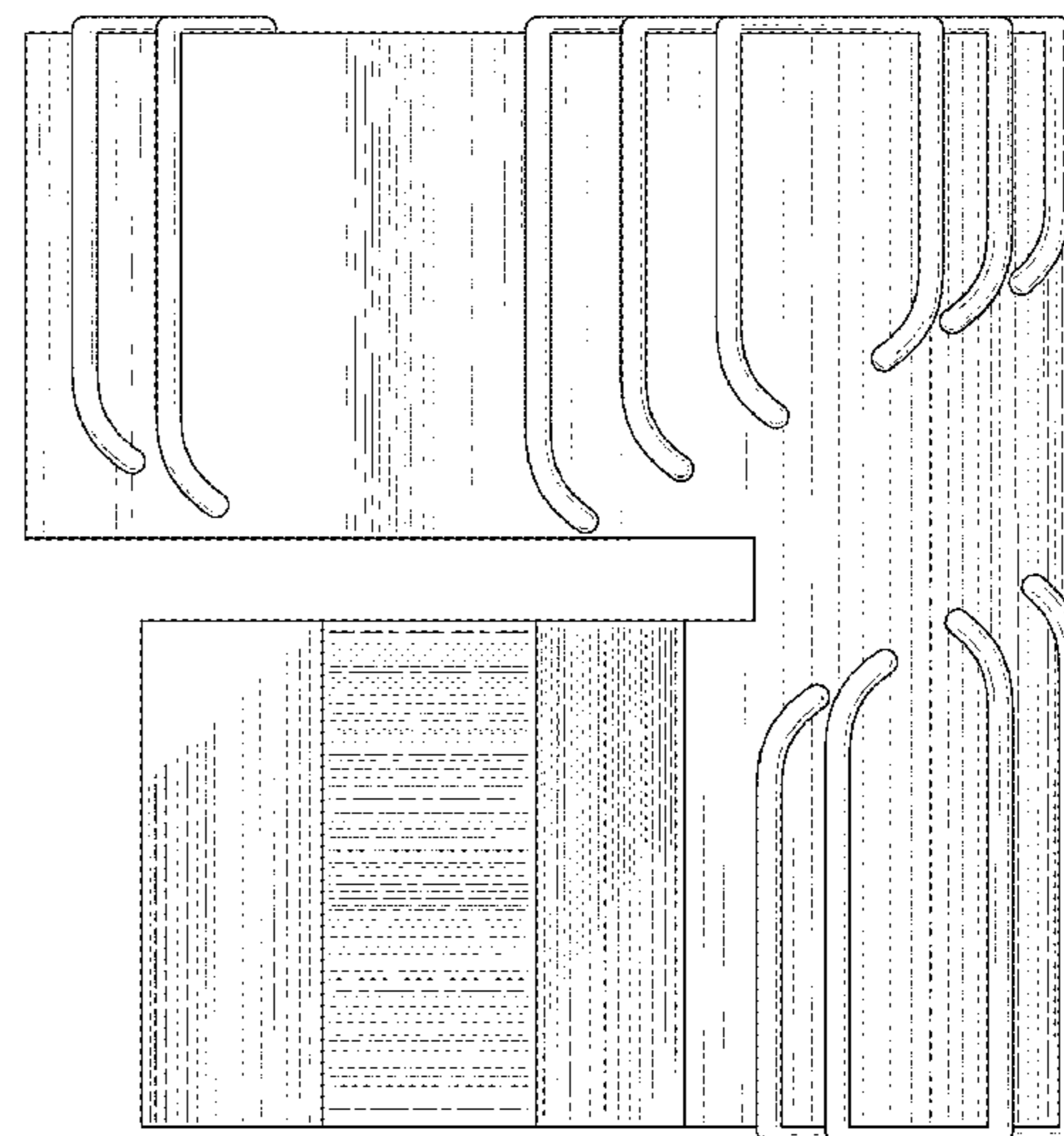
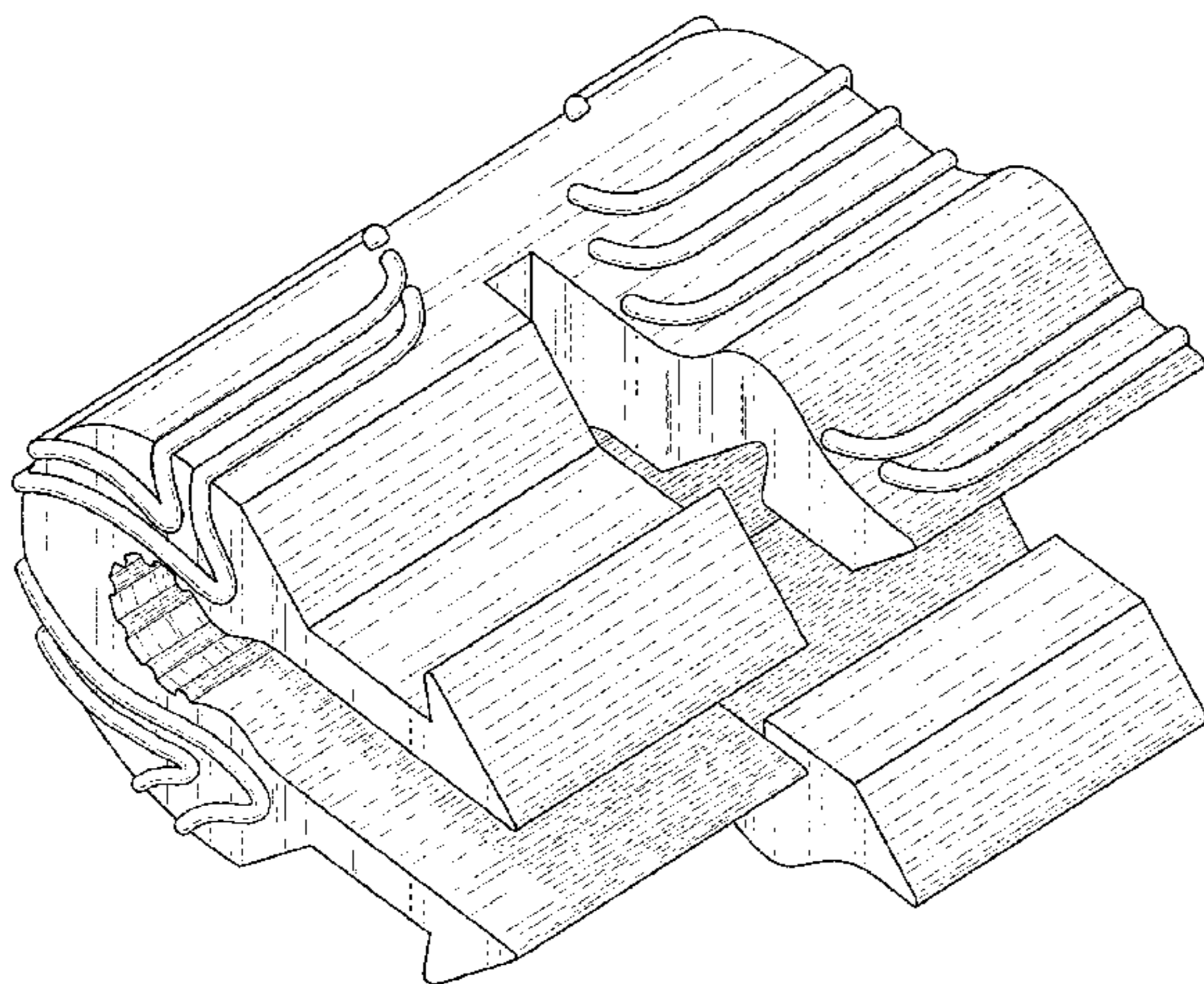
U.S. PATENT DOCUMENTS

D176,013 S *	11/1955	Hamel	D22/147
3,944,177 A *	3/1976	Yoda	248/74.2
D276,134 S *	10/1984	Ericsson	D8/396
D292,554 S *	11/1987	Yagi	D8/396
5,109,576 A *	5/1992	Teekell et al.	24/30.5 R
5,332,090 A *	7/1994	Tucker	206/315.3
D392,546 S *	3/1998	Nakamura	D8/356
D417,837 S *	12/1999	Nakamura	D8/395
D453,676 S *	2/2002	Pliml, Jr.	D8/349
D522,852 S *	6/2006	Nawrocki	D8/395
D531,891 S *	11/2006	Nawrocki	D8/395
D552,463 S *	10/2007	French et al.	D8/395
D564,347 S *	3/2008	Limber	D8/395
D570,205 S *	6/2008	Baxter et al.	D8/395
D570,207 S *	6/2008	Cox et al.	D8/396

DESCRIPTION

FIG. 1 is a perspective view of a panel-wire clip showing my new design;
FIG. 2 is a front elevational view of the panel-wire clip of FIG. 1;
FIG. 3 is a rear elevational view of the panel-wire clip of FIG. 1;
FIG. 4 is a top plan view of the panel-wire clip of FIG. 1;
FIG. 5 is a bottom plan view of the panel-wire clip of FIG. 1;
FIG. 6 is a right side elevational view of the panel-wire clip of FIG. 1; and,
FIG. 7 is a left side elevational view of the panel-wire clip of FIG. 1.

1 Claim, 7 Drawing Sheets



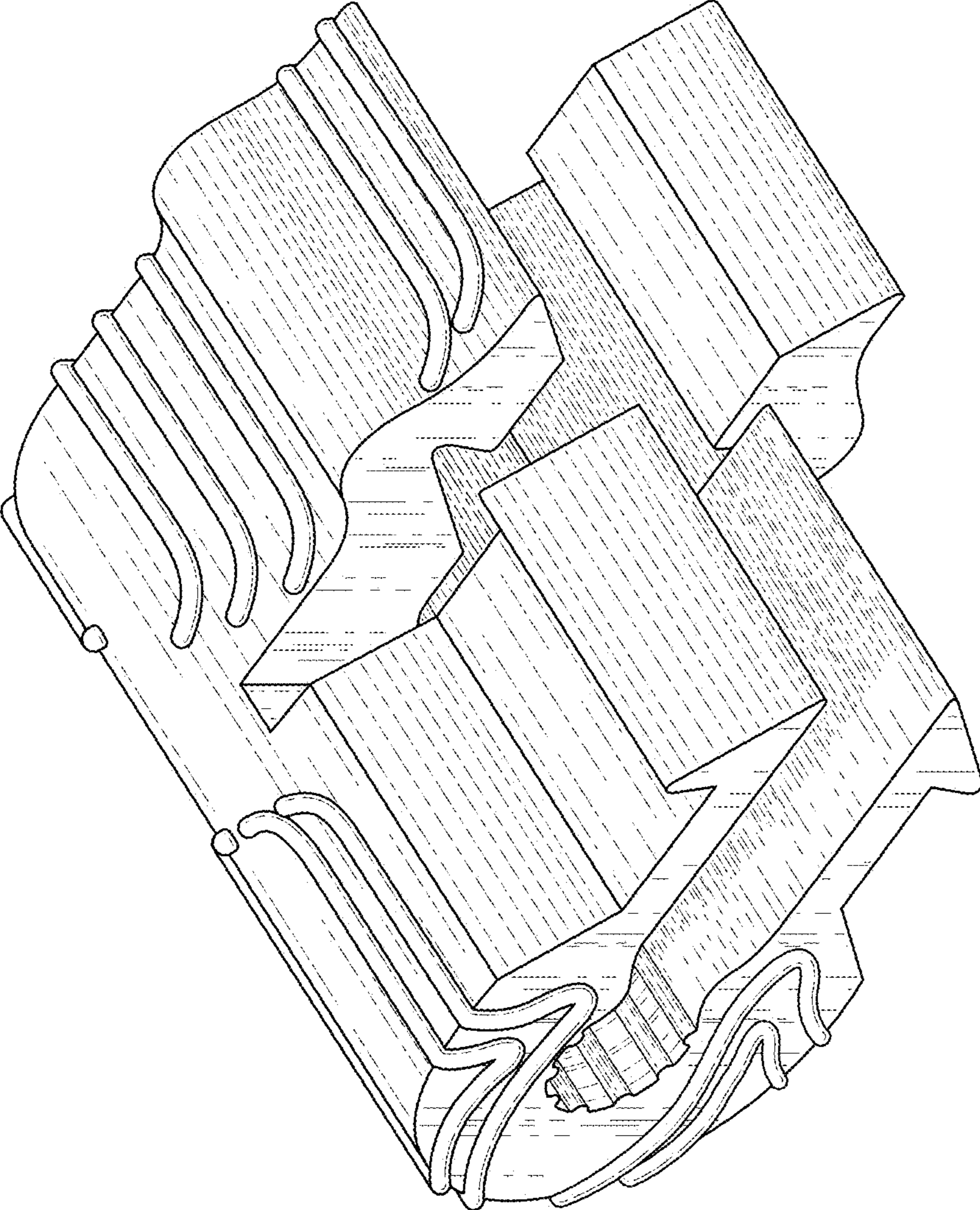


FIG. 1

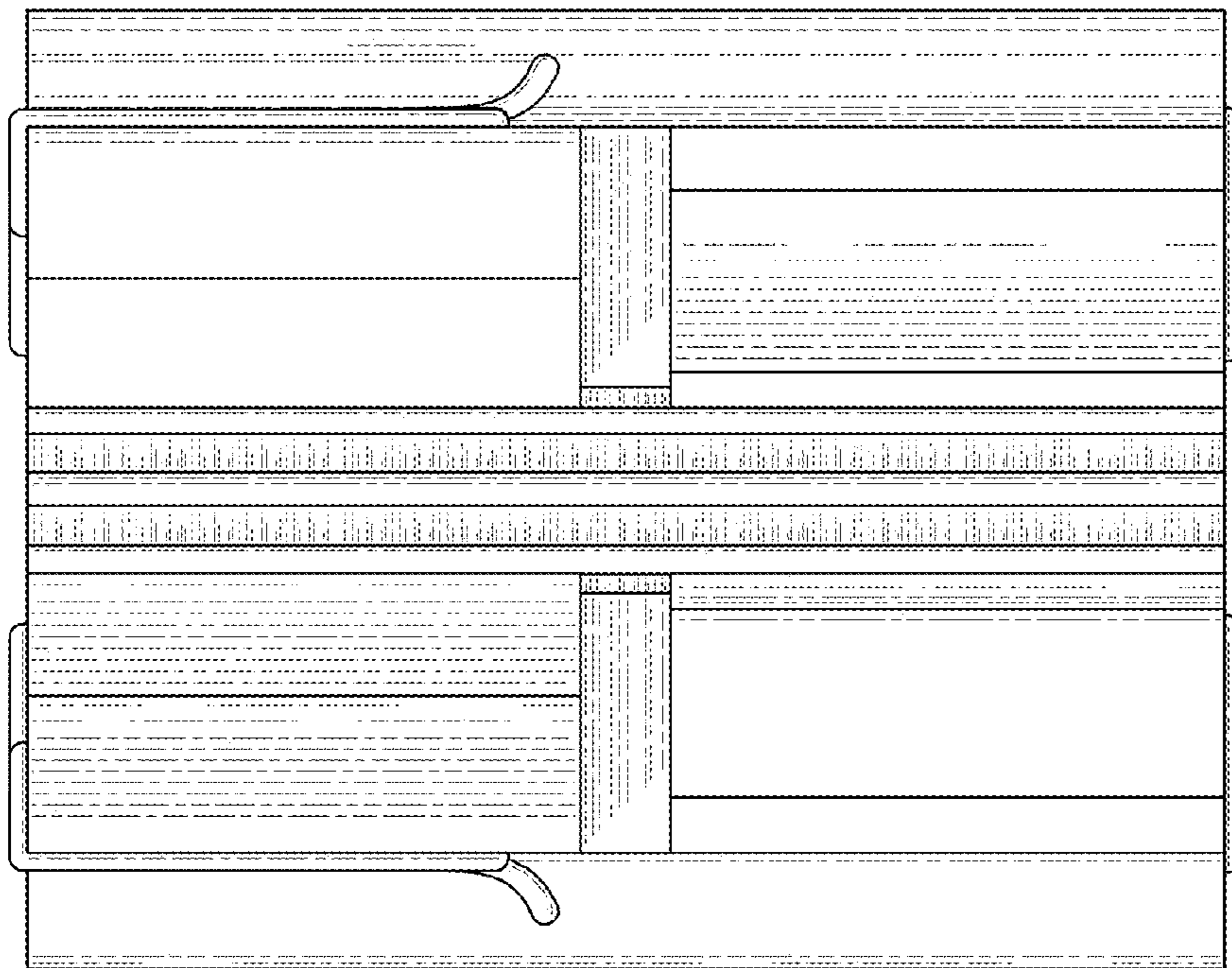


FIG. 2

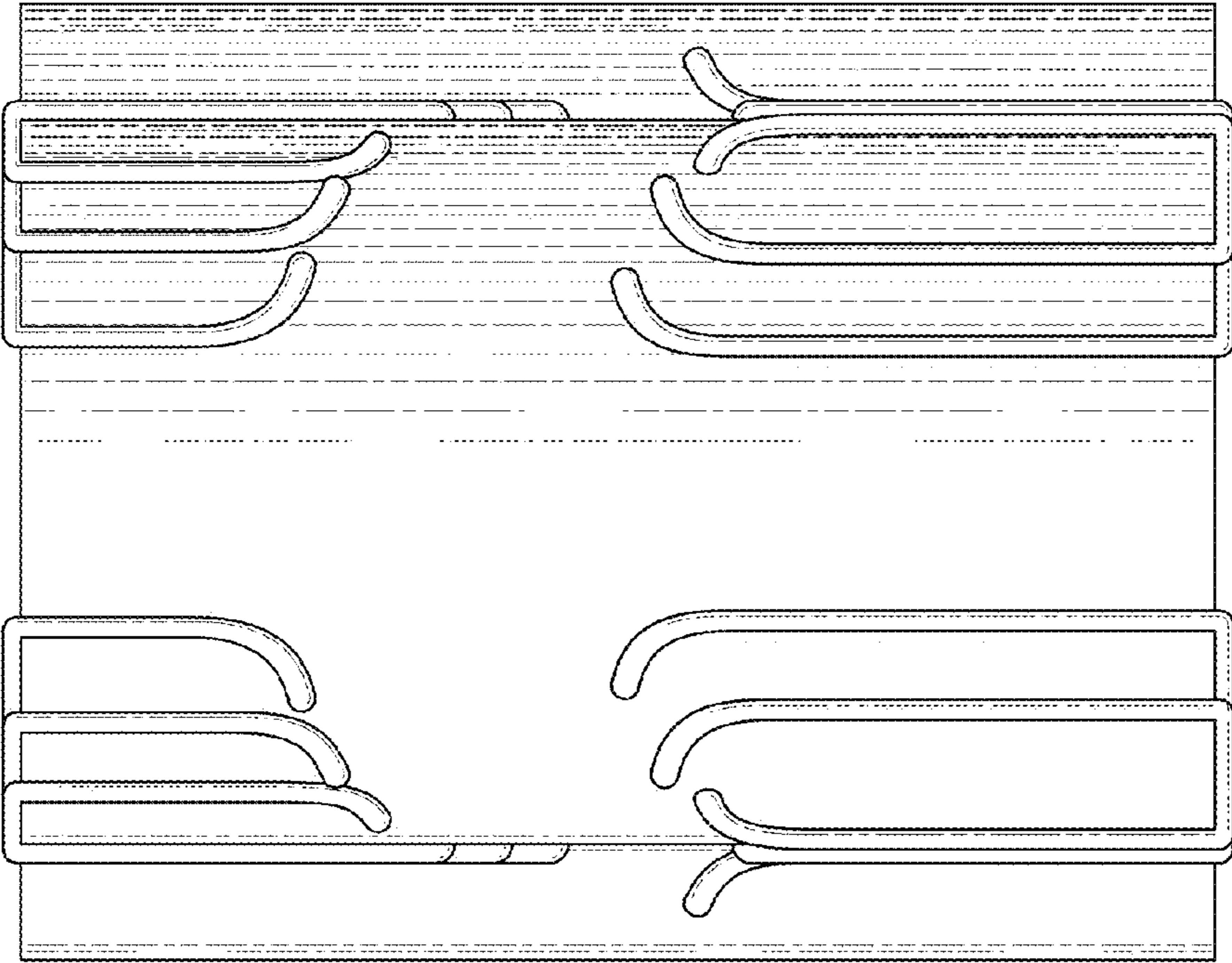


FIG. 3

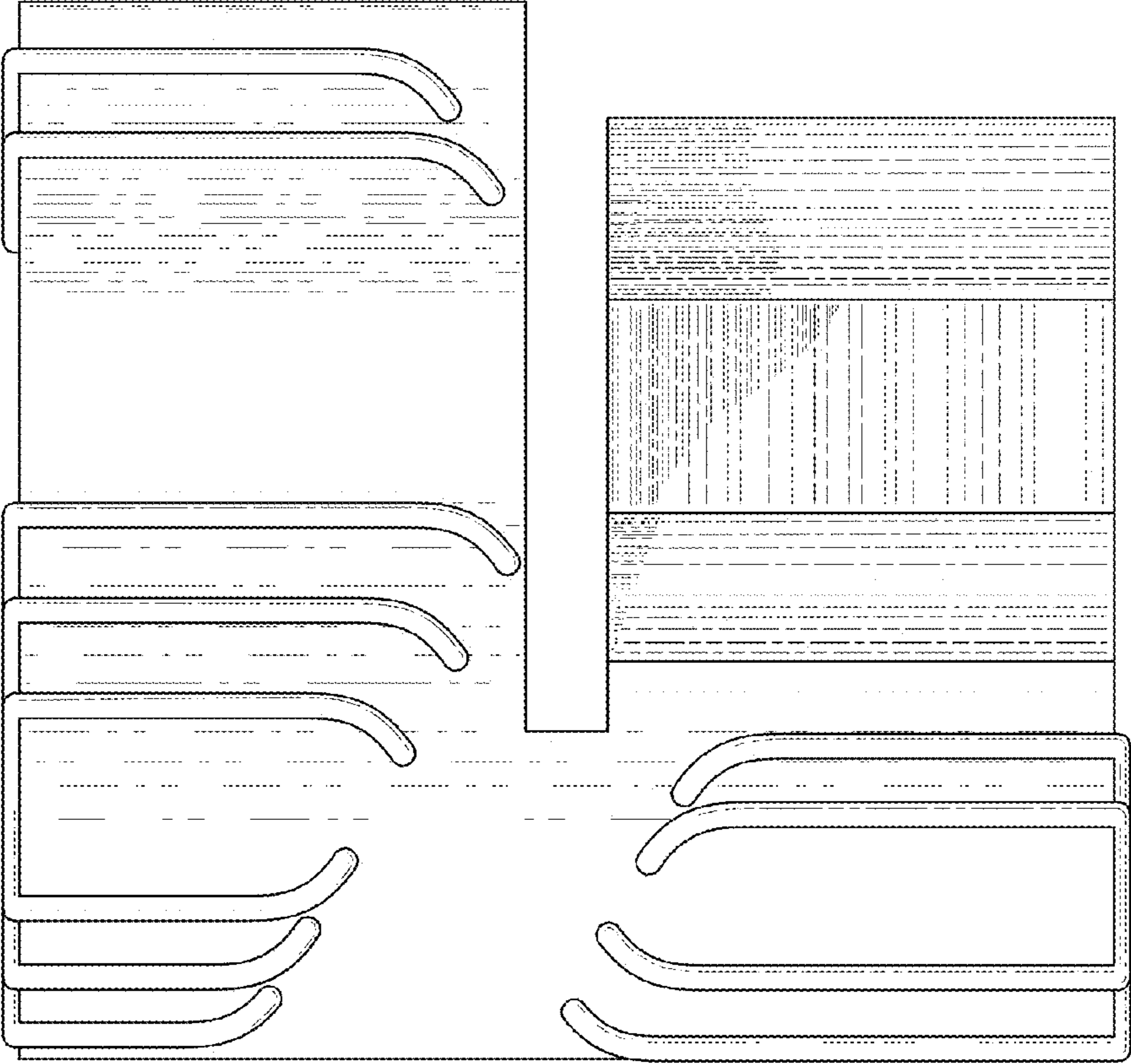


FIG. 4

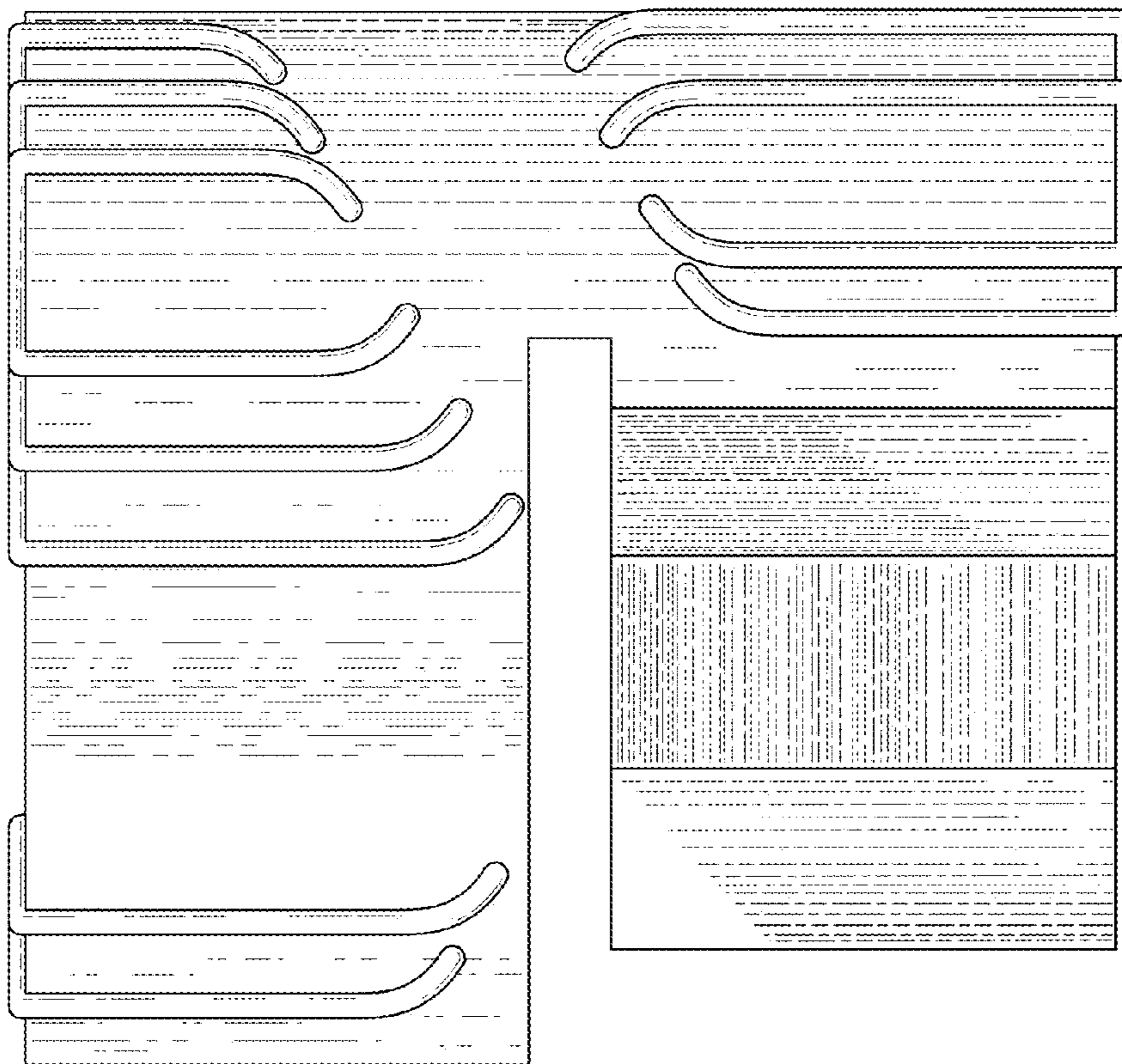


FIG. 5

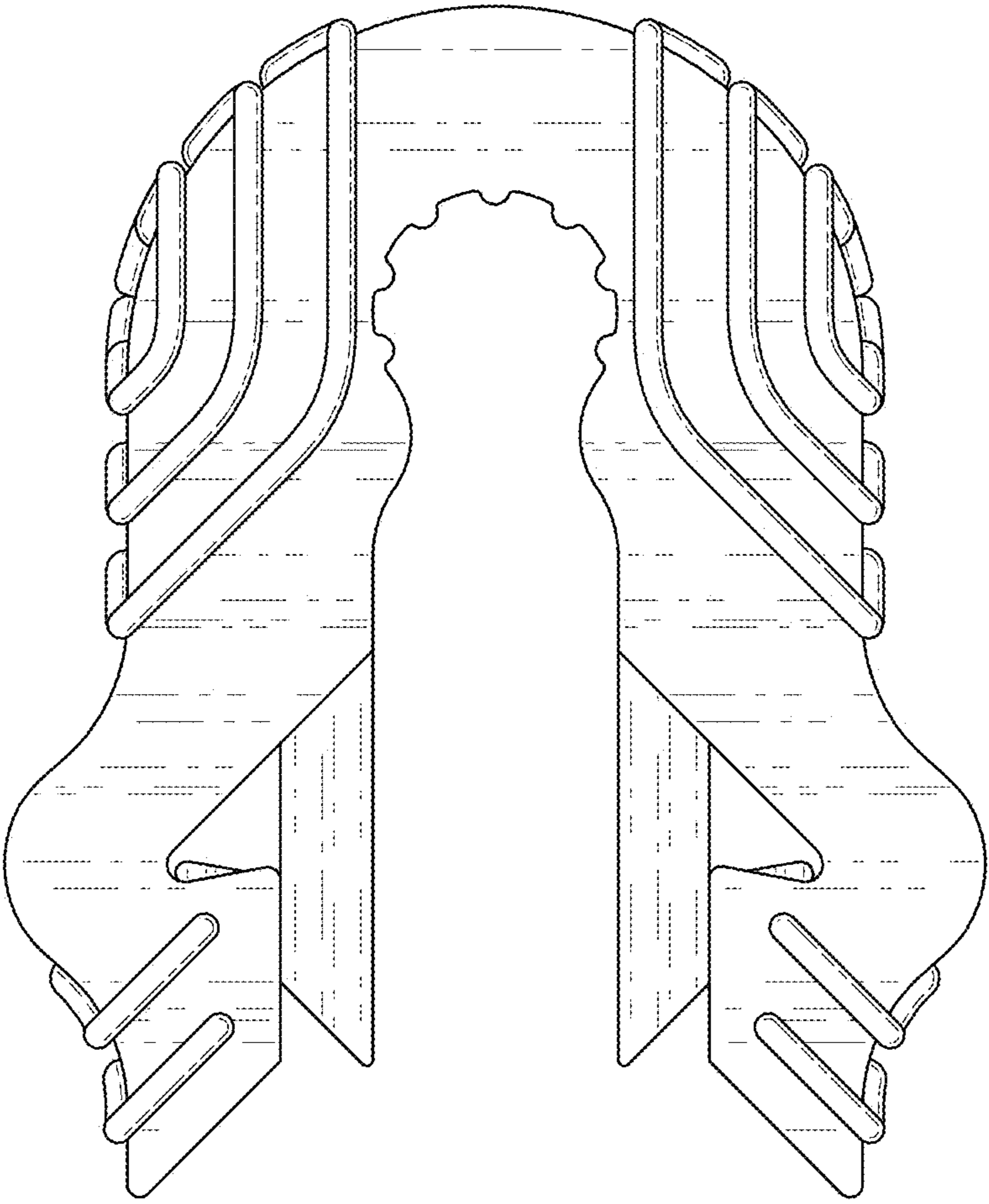


FIG. 6

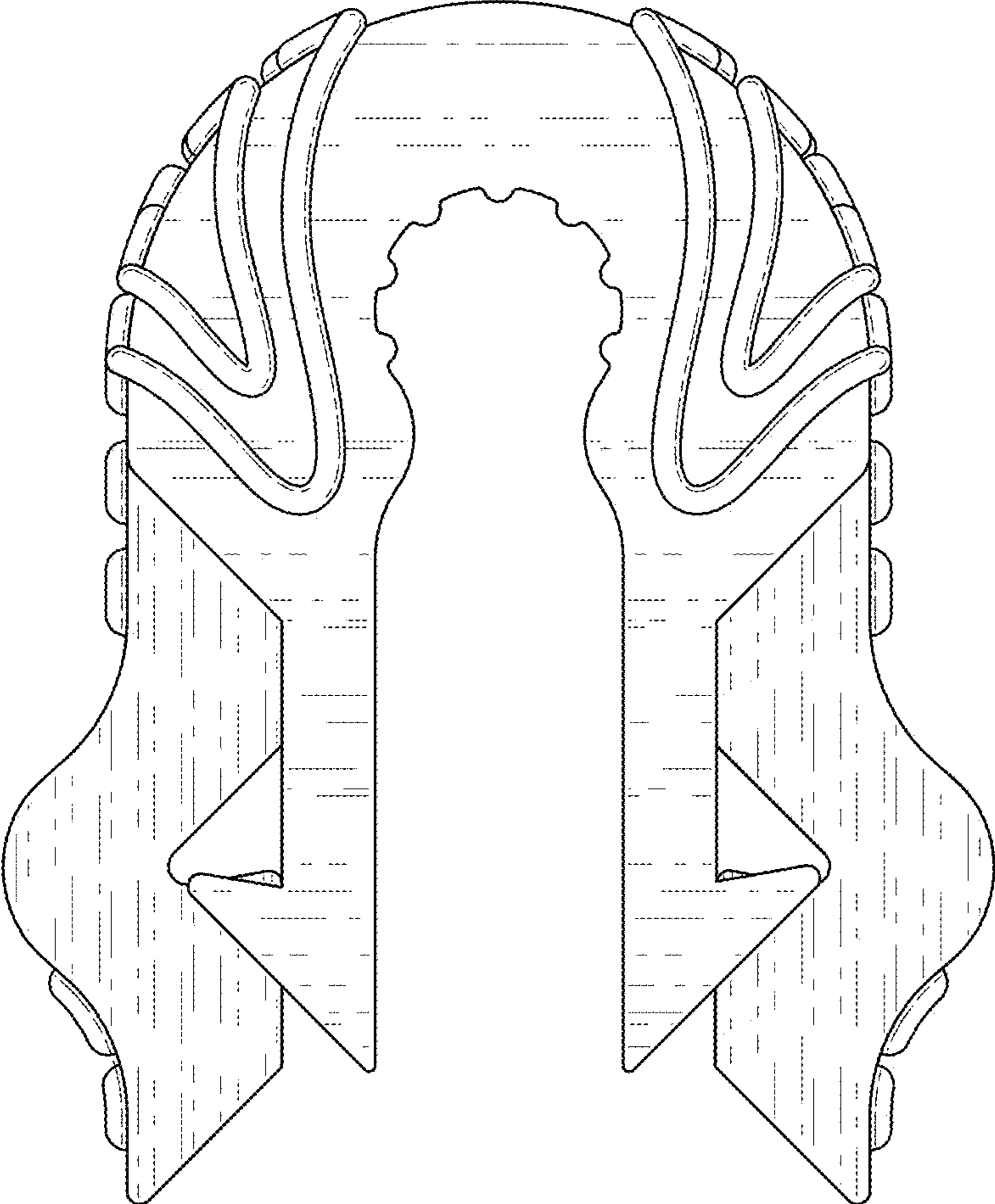


FIG. 7