



US00D738712S

(12) **United States Design Patent**
Cooper

(10) **Patent No.:** **US D738,712 S**
(45) **Date of Patent:** **** Sep. 15, 2015**

- (54) **NOTCHED FASTENER STRIP**
- (71) Applicant: **Avery Dennison Corporation**,
Pasadena, CA (US)
- (72) Inventor: **William J. Cooper**, Natick, MA (US)
- (73) Assignee: **Avery Dennison Corporation**,
Glendale, CA (US)
- (**) Term: **14 Years**
- (21) Appl. No.: **29/438,342**
- (22) Filed: **Nov. 29, 2012**
- (51) **LOC (10) Cl.** **08-08**
- (52) **U.S. Cl.**
USPC **D8/382**
- (58) **Field of Classification Search**
USPC D8/349, 354, 382, 388; 206/343-346,
206/820; 227/67, 71
CPC B29C 47/0066; B29C 47/0014; B29C
47/0033; B29C 47/0057; B29C 47/32; B29C
47/12; B29C 43/222; B65C 7/00; B65C
7/003; B65C 7/001; G09F 3/14; B65D 85/24;
Y10S 206/82
See application file for complete search history.

6,220,434	B1 *	4/2001	Kubota et al.	206/343
6,318,553	B1 *	11/2001	Deschenes	206/343
6,418,597	B1 *	7/2002	Deschenes et al.	24/704.1
D463,259	S *	9/2002	Raymond et al.	D8/382
D463,733	S *	10/2002	Cooper et al.	D8/382
D464,563	S *	10/2002	Deschenes	D8/382
6,564,939	B1 *	5/2003	Deschenes et al.	206/343
6,569,369	B2 *	5/2003	Shilale et al.	264/167
6,848,606	B2 *	2/2005	Benoit et al.	227/67
7,308,983	B2 *	12/2007	Shilale et al.	206/346
D580,259	S *	11/2008	Schmidt et al.	D8/382
7,681,730	B2 *	3/2010	Cooper et al.	206/343

* cited by examiner

Primary Examiner — Mark Goodwin

(74) *Attorney, Agent, or Firm* — Avery Dennison Retail Information Services LLC

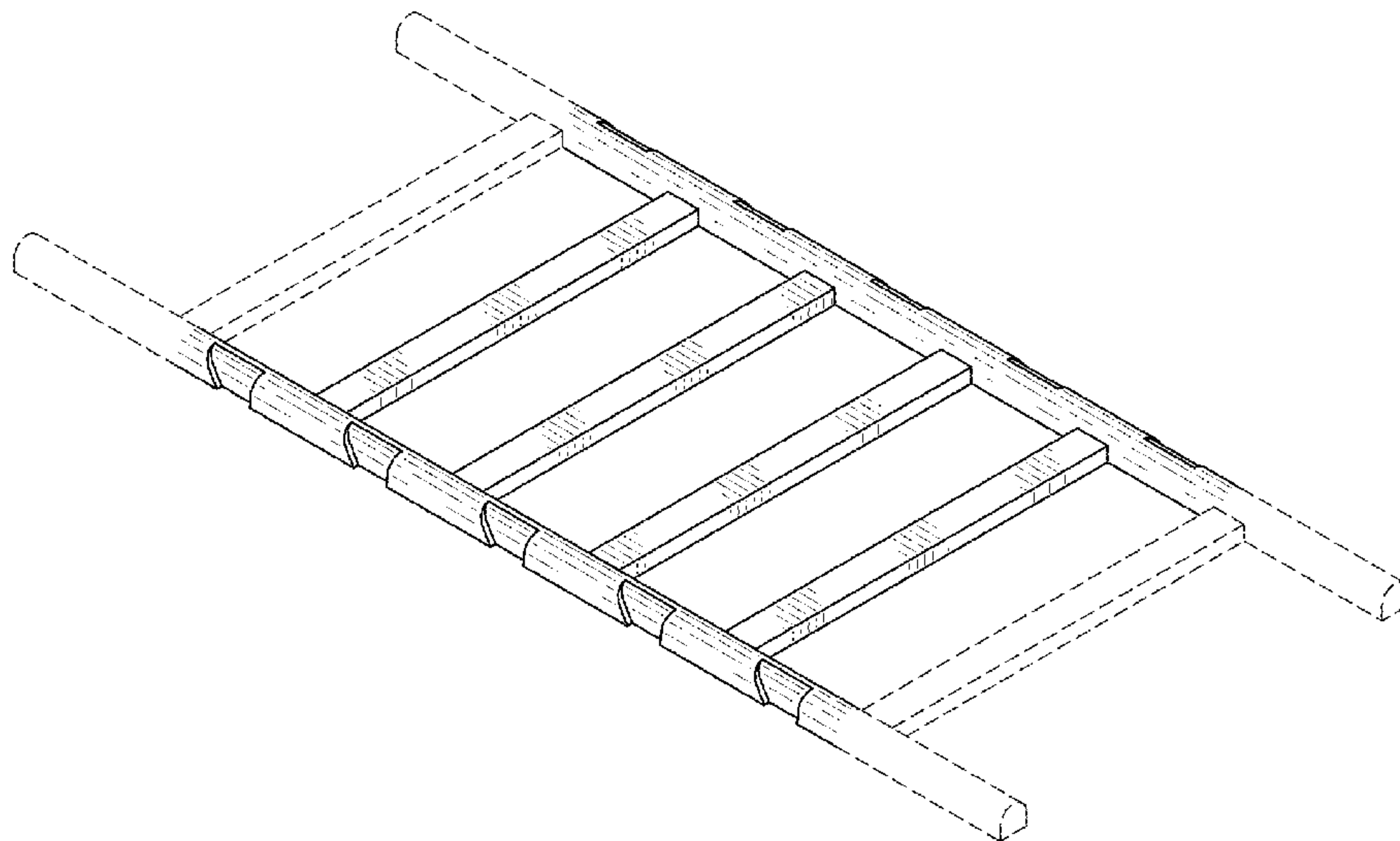
(57) **CLAIM**

The ornamental design for a notched fastener strip, as shown and described.

DESCRIPTION

FIG. 1 is an isometric view of a notched fastener strip showing my new design;
 FIG. 2 is a front view of the notched fastener strip of FIG. 1;
 FIG. 3 is a back view of the notched fastener strip of FIG. 1;
 FIG. 4 is a left side view of the notched fastener strip of FIG. 1;
 FIG. 5 is right side view of the notched fastener strip of FIG. 1;
 FIG. 6 is a top view of the notched fastener strip of FIG. 1;
 FIG. 7 is a bottom view of the notched fastener strip of FIG. 1; and,
 FIG. 8 is a front view of an individual fastener of the notched fastener strip of FIG. 1 shown separately for ease of illustration.
 The broken line showing of the ends of the notched fastener strip in FIGS. 1-7 is included for the purpose of illustrating indeterminate length and forms no part of the claimed design.

1 Claim, 5 Drawing Sheets



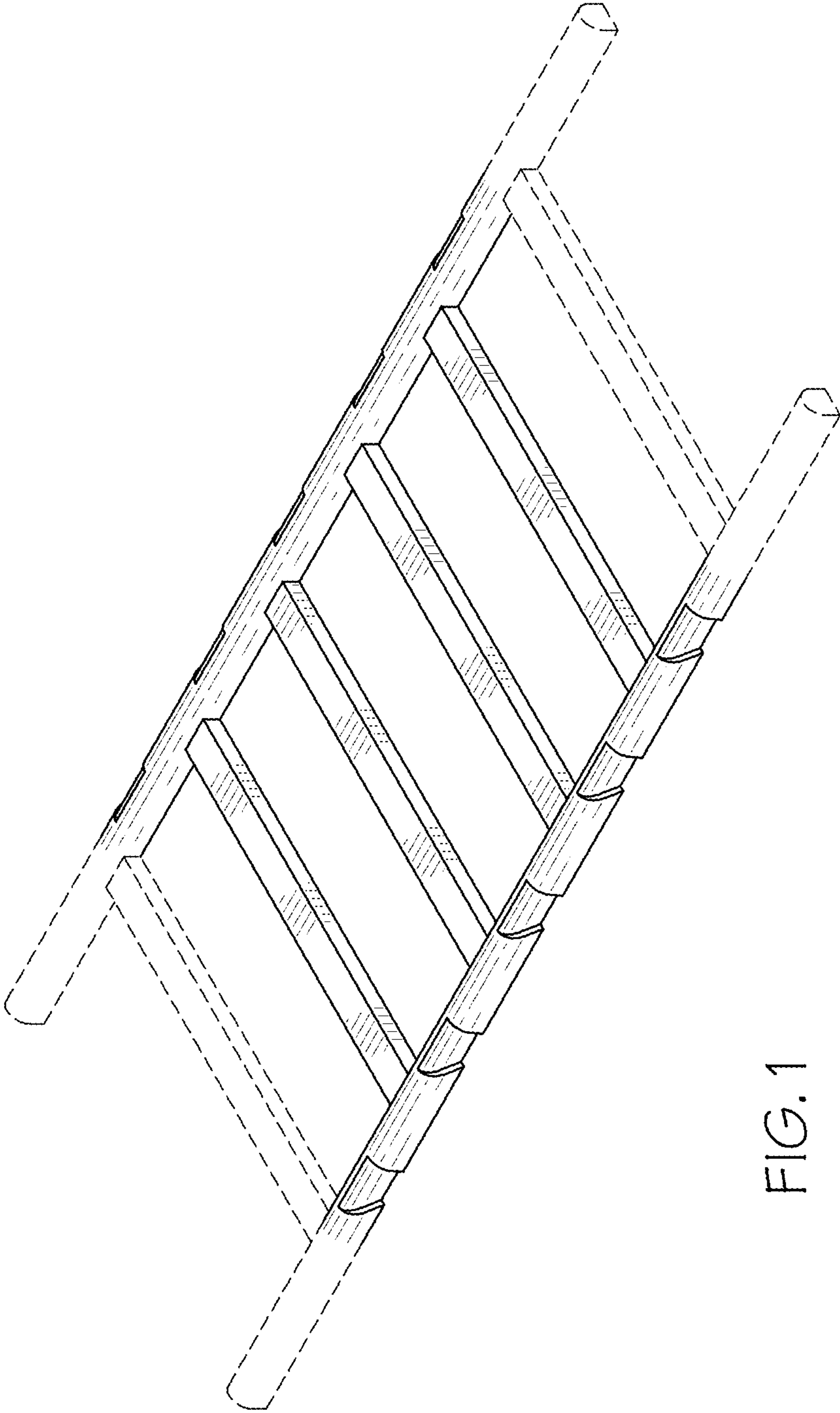


FIG. 1

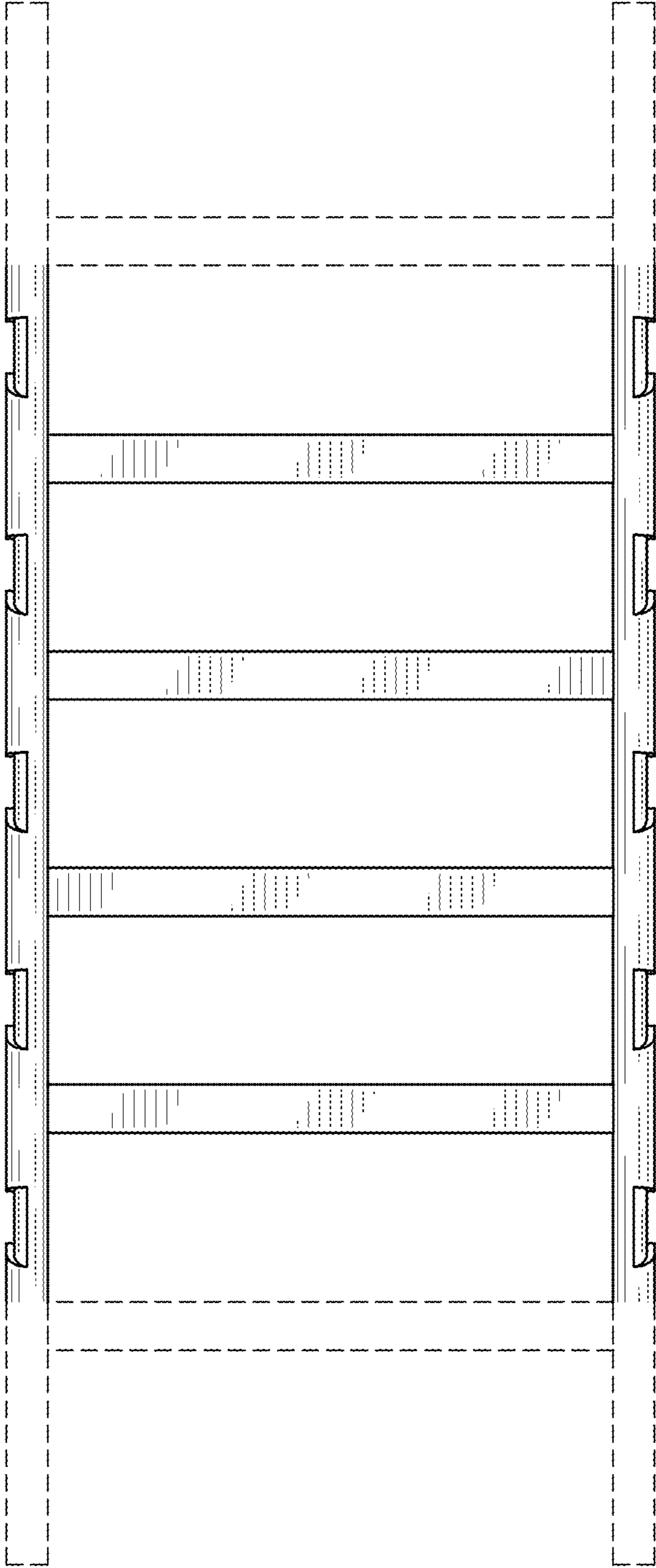


FIG. 2

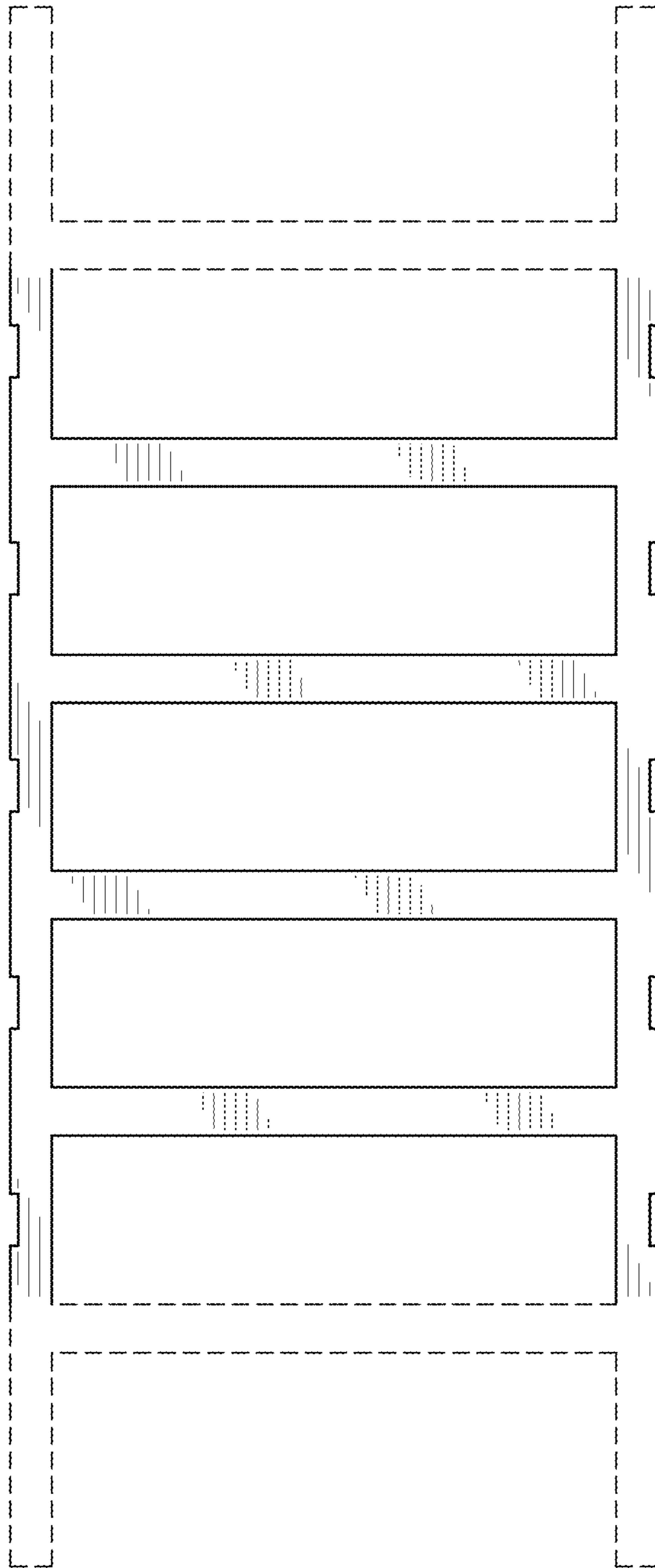


FIG. 3

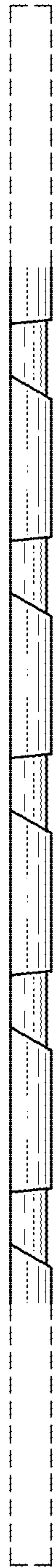


FIG. 4



FIG. 5



FIG. 6



FIG. 7

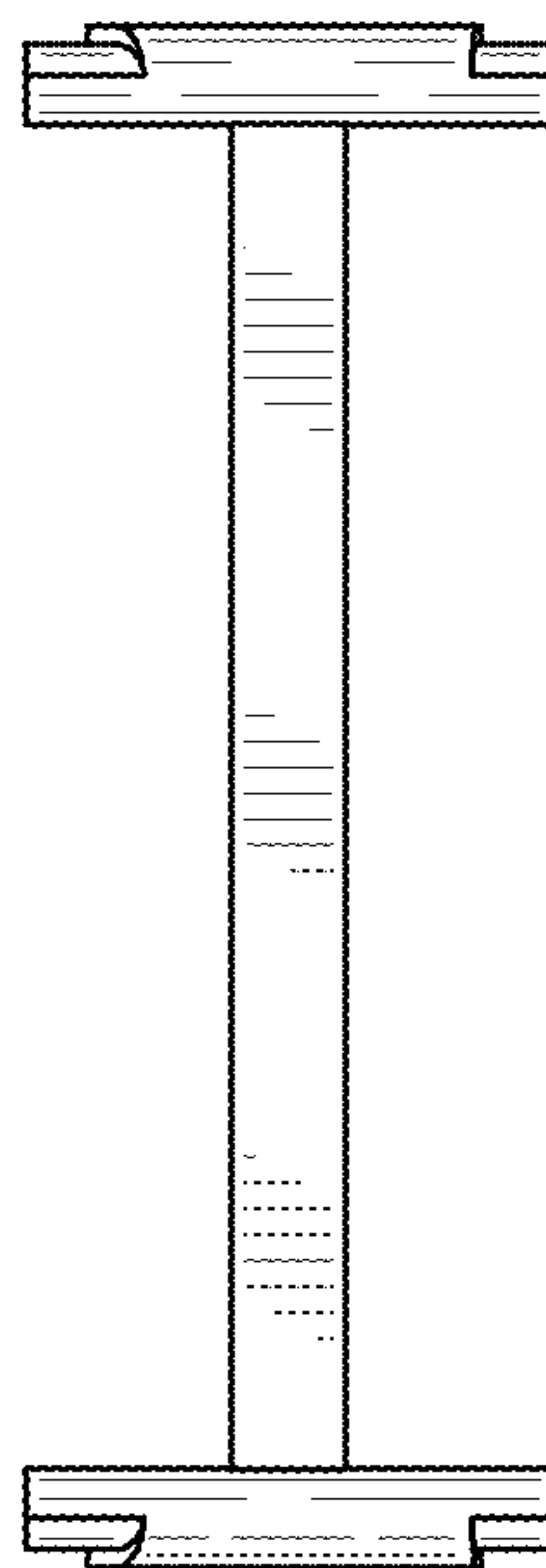


FIG. 8