



US00D738711S

(12) **United States Design Patent**
Tally

(10) **Patent No.:** **US D738,711 S**
(45) **Date of Patent:** **** Sep. 15, 2015**

(54) **ROOFTOP SUPPORT**
(71) Applicant: **Cooper Technologies Company,**
Houston, TX (US)
(72) Inventor: **Brandon Michael Tally,** Greenville, IL
(US)
(73) Assignee: **Cooper Technologies Company,**
Houston, TX (US)

5,122,405 A 6/1992 Landi
5,217,191 A 6/1993 Smith
5,723,192 A 3/1998 Jonasz
D393,320 S 4/1998 Sinclair
D399,727 S * 10/1998 Richter D8/380
5,816,554 A 10/1998 McCracken
5,855,342 A 1/1999 Hawkins et al.
D417,135 S * 11/1999 McMahon D8/354
6,229,497 B1 5/2001 McCracken

(Continued)

(**) Term: **14 Years**

FOREIGN PATENT DOCUMENTS

(21) Appl. No.: **29/465,729**

CA 2107707 A1 10/1993
CA 2151183 A1 6/1995

(22) Filed: **Aug. 30, 2013**

OTHER PUBLICATIONS

(51) **LOC (10) Cl.** **08-05**

Advanced Support Products, Inc., Ecocurb with Strut (Rubber or Plastic), 1 page, 2001, Tomball, Texas, United States.

(52) **U.S. Cl.**

(Continued)

USPC **D8/380**

(58) **Field of Classification Search**

USPC D8/349, 354-355, 380, 382-383, 394,
D8/74; D13/155, 102, 118, 154, 184, 199;
D25/119, 123, 124, 125, 65; D21/484,
D21/500, 504

Primary Examiner — Karen E Kearney
Assistant Examiner — Nathaniel D Buckner
(74) *Attorney, Agent, or Firm* — Senniger Powers LLP

CPC B25B 1/00; F24J 2/07; F24J 2/14;
F24J 2/541; F24J 2/542; F24J 2/38; Y02E
10/47; Y02E 10/45; Y02E 10/50; Y02E
10/60; Y02E 10/52; E04H 9/022; E04H
9/021; E02D 27/34; E04B 1/98; H01L 35/00;
H01L 31/0522; H01L 35/08; H01L 31/052;
H01L 31/042; H01L 31/05; H01L 27/1423;
H01L 31/048; H01L 31/045; H01L 31/055;
B64G 1/443; B64G 1/222; B60G 2202/143
See application file for complete search history.

(57) **CLAIM**
The ornamental design for a rooftop support, as shown and described.

DESCRIPTION

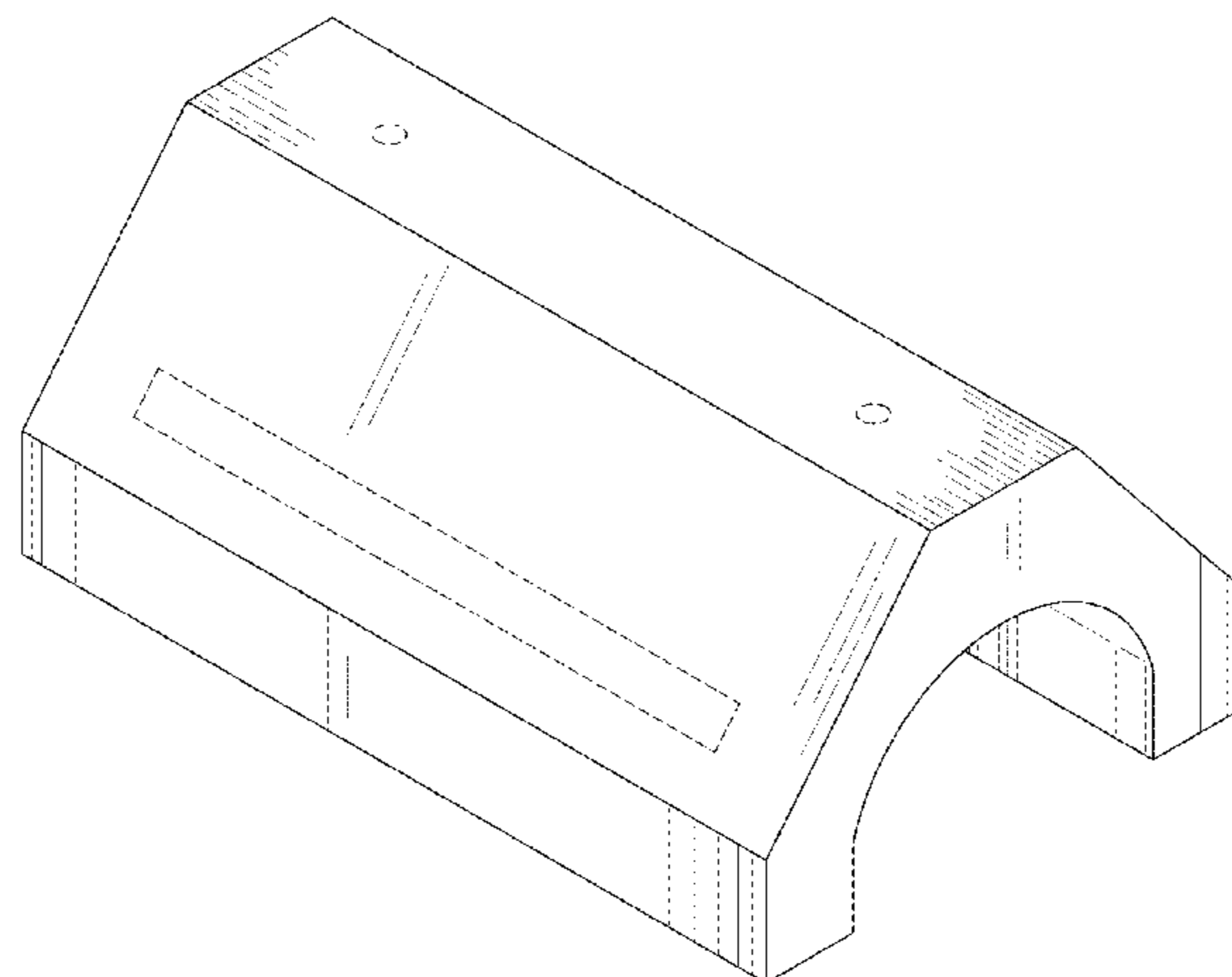
(56) **References Cited**

U.S. PATENT DOCUMENTS

2,905,743 A * 9/1959 Sylvester 174/73.1
3,995,901 A 12/1976 Filbert, Jr. et al.
4,469,316 A 9/1984 van den Boom et al.
5,028,463 A 7/1991 Cahill et al.

FIG. 1 is a perspective of a first embodiment of a rooftop support;
FIG. 2 is a front elevational view thereof;
FIG. 3 is a right elevational view thereof;
FIG. 4 is a top plan view thereof;
FIG. 5 is a rear elevational view thereof;
FIG. 6 is a left elevational view thereof; and,
FIG. 7 is a bottom plan view thereof.
The broken lines in the drawings indicate environmental structure which forms no part of the claimed design.

1 Claim, 7 Drawing Sheets



(56)

References Cited

U.S. PATENT DOCUMENTS

6,427,965 B1 8/2002 McCracken
6,520,456 B1 2/2003 Neider et al.
D490,692 S * 6/2004 Williams D8/356
D521,851 S * 5/2006 Smart D8/354
D585,728 S * 2/2009 Bertoni D8/358
D667,296 S * 9/2012 Eichner et al. D8/380
8,312,692 B2 11/2012 Krovats
D692,393 S * 10/2013 Hillman et al. D13/155
8,863,468 B1 * 10/2014 Perry et al. 52/686
8,910,803 B2 * 12/2014 Holtby et al. 211/70.4

2007/0057125 A1 3/2007 Hawkins
2007/0120036 A1 * 5/2007 Olle et al. 248/615
2010/0252092 A1 * 10/2010 Lenox 136/251

OTHER PUBLICATIONS

Cooper B-Line, B-Line, Dura-Blok, A Complete Rooftop Support Solution, 16 pages, at least as early as Aug. 29, 2012, Highland, Illinois, United States.

Keycurb, Roof Top RTA Accessories, Keycurb Pipe Supports, May 16, 2007, 2 pages, <http://www.keycurb.com/products/keycurb/strut.asp>, Tomball, Texas, United States.

* cited by examiner

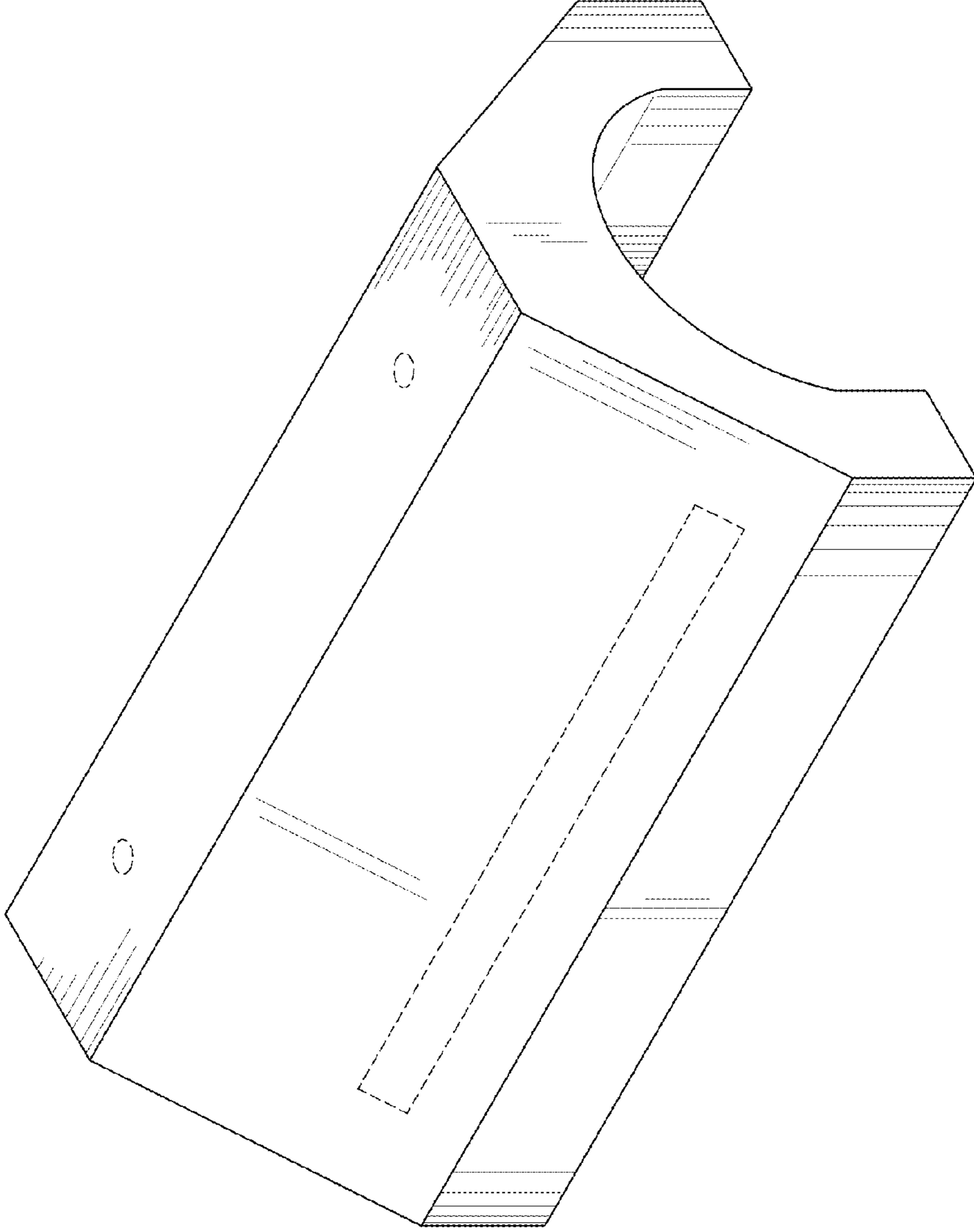


FIG. 1

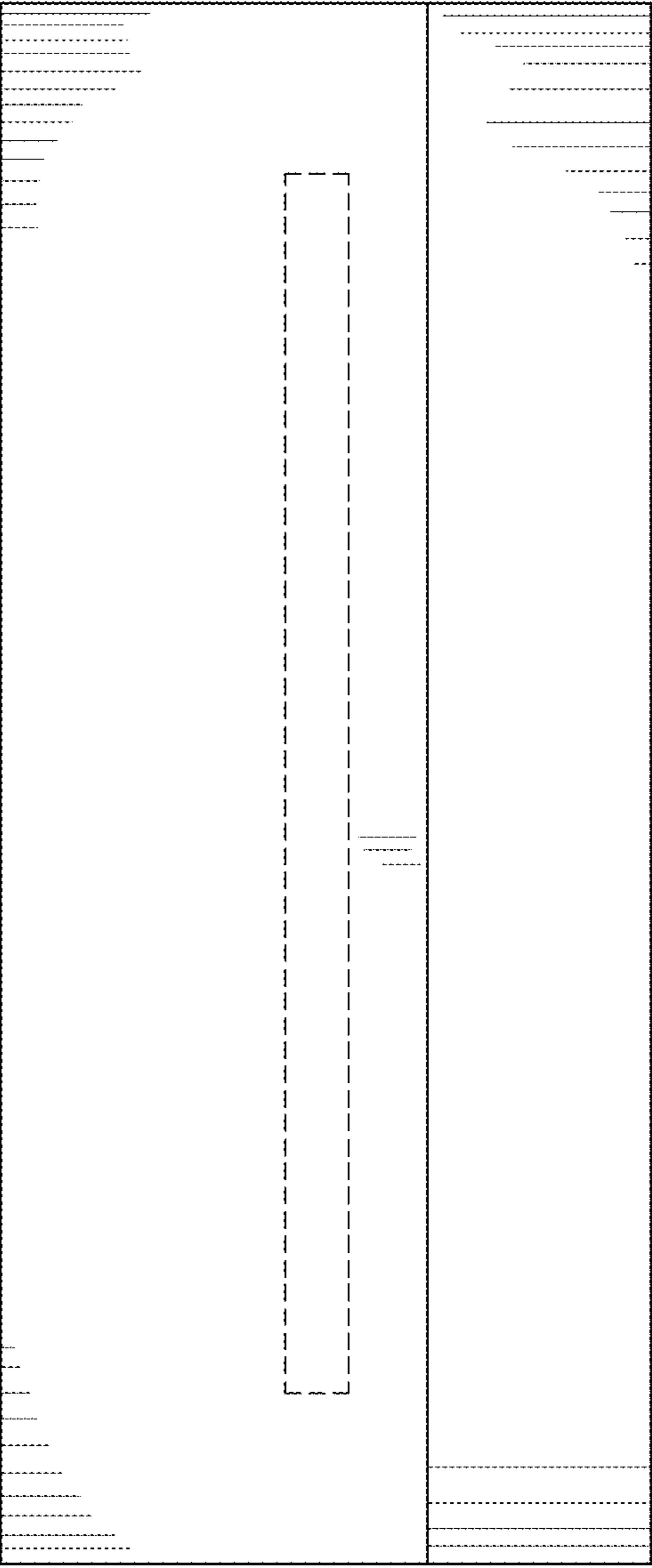
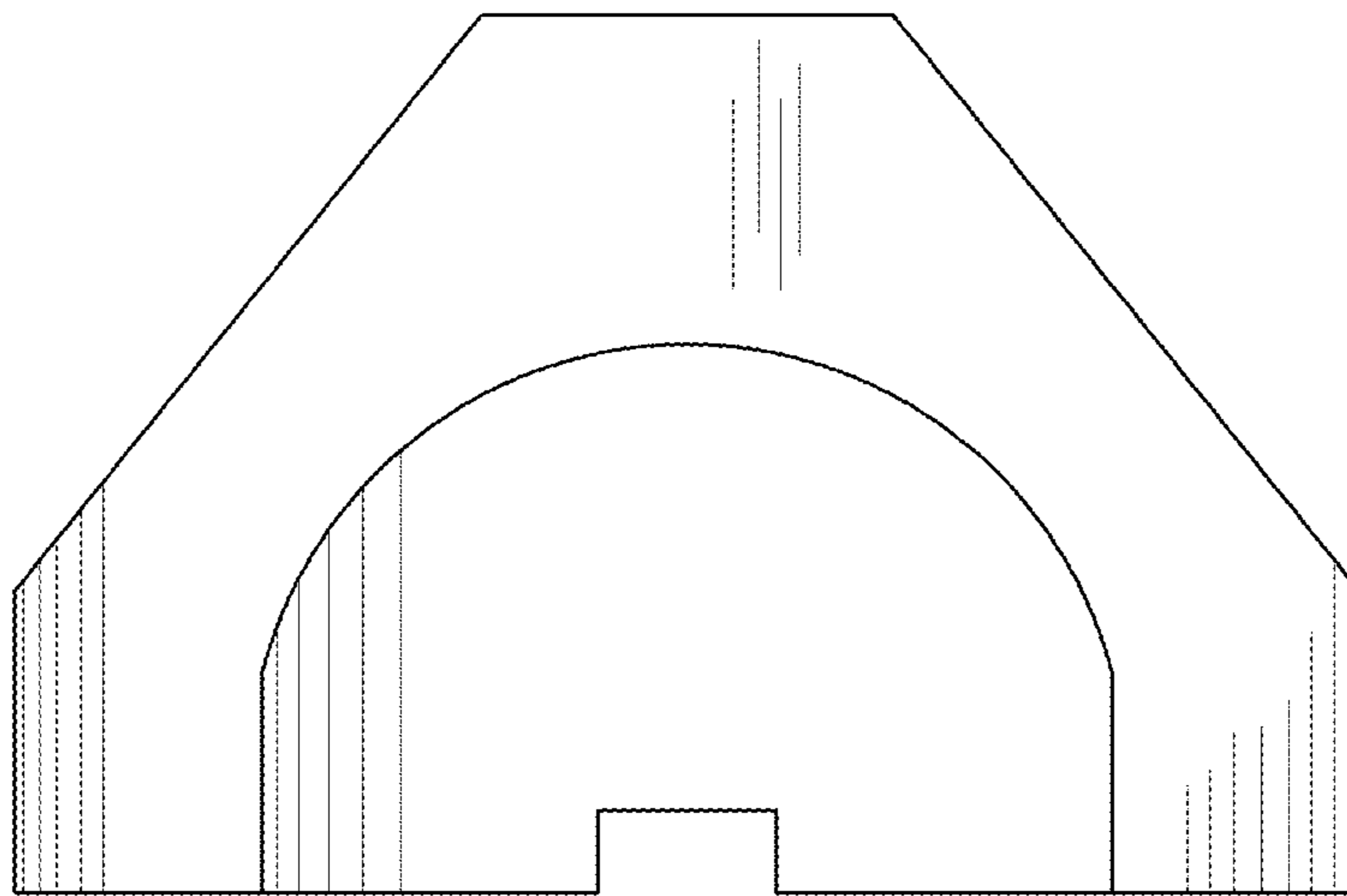


FIG. 2

FIG. 3



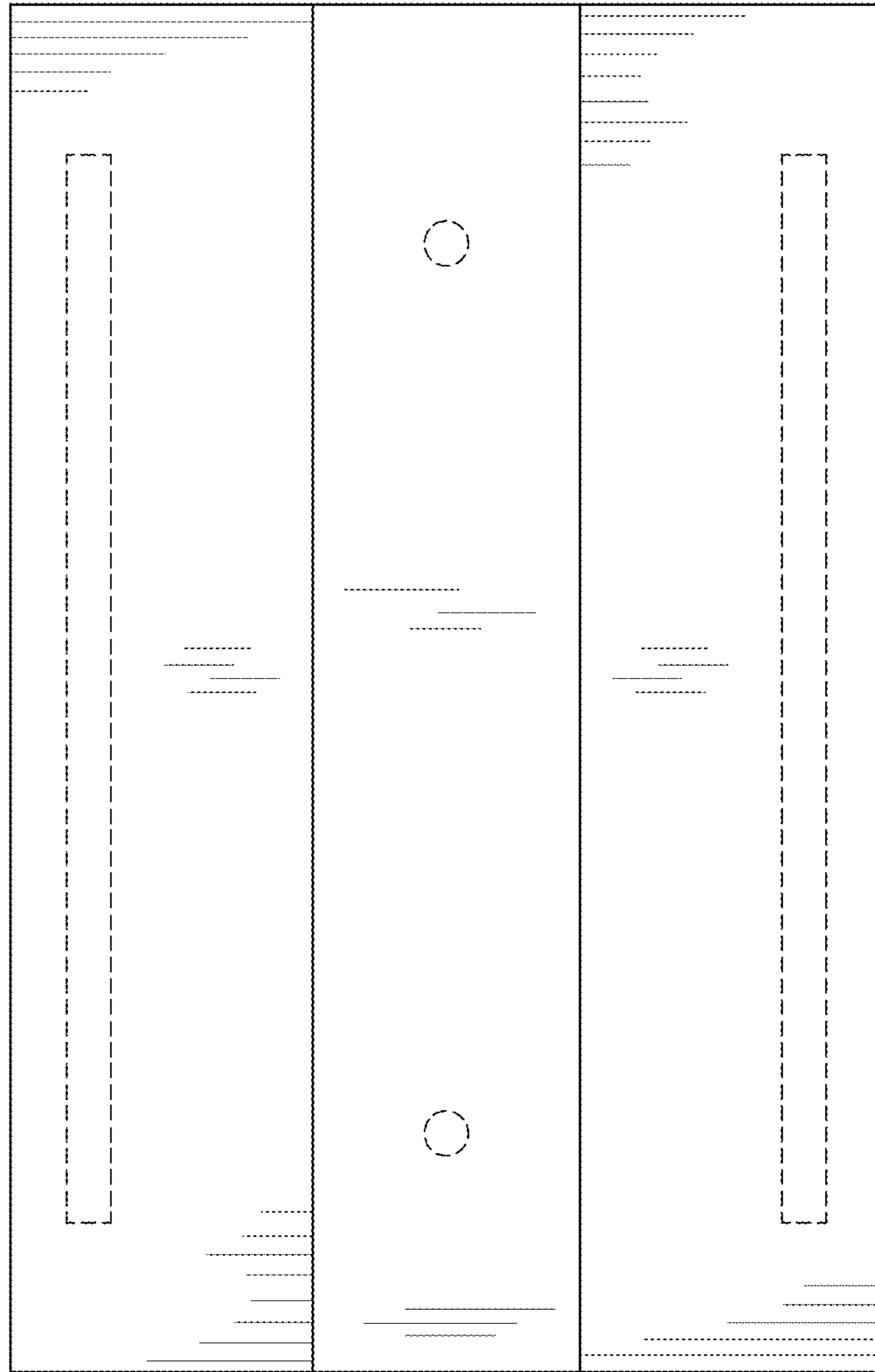


FIG. 4

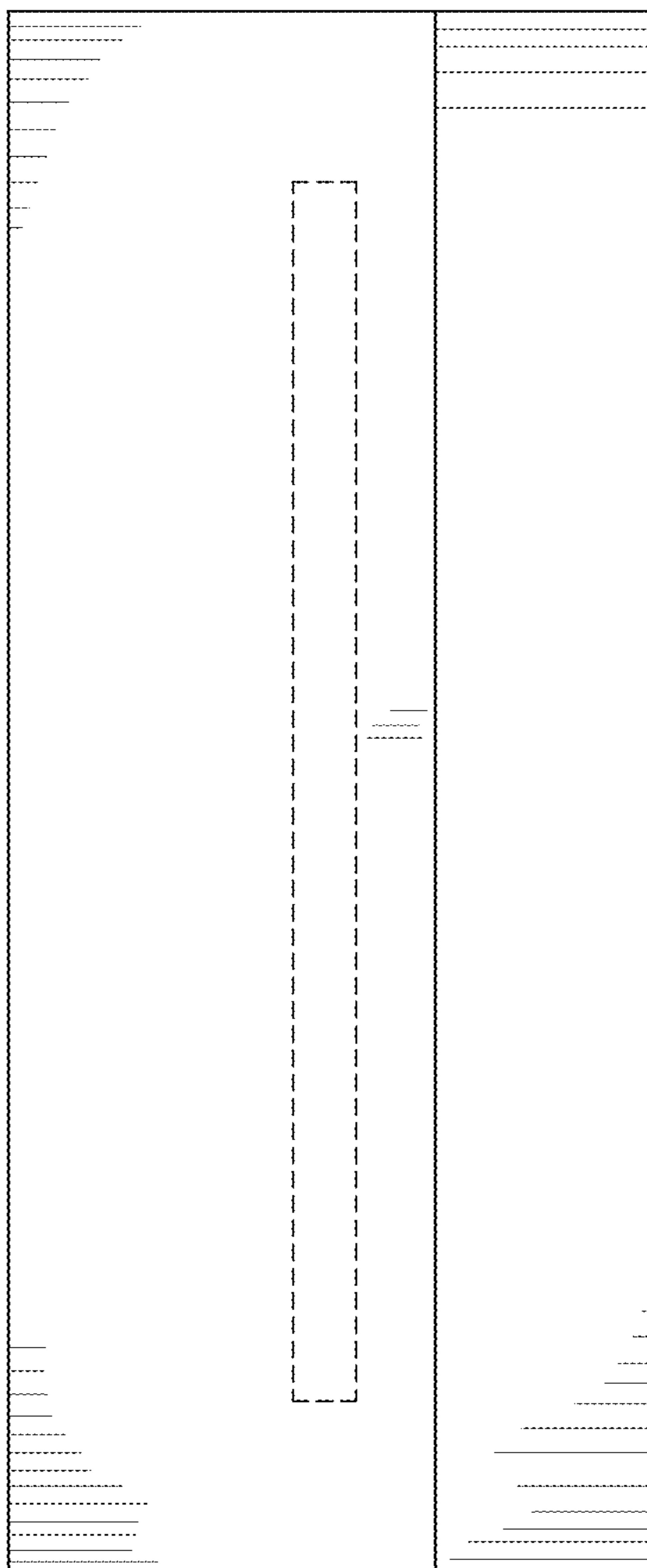
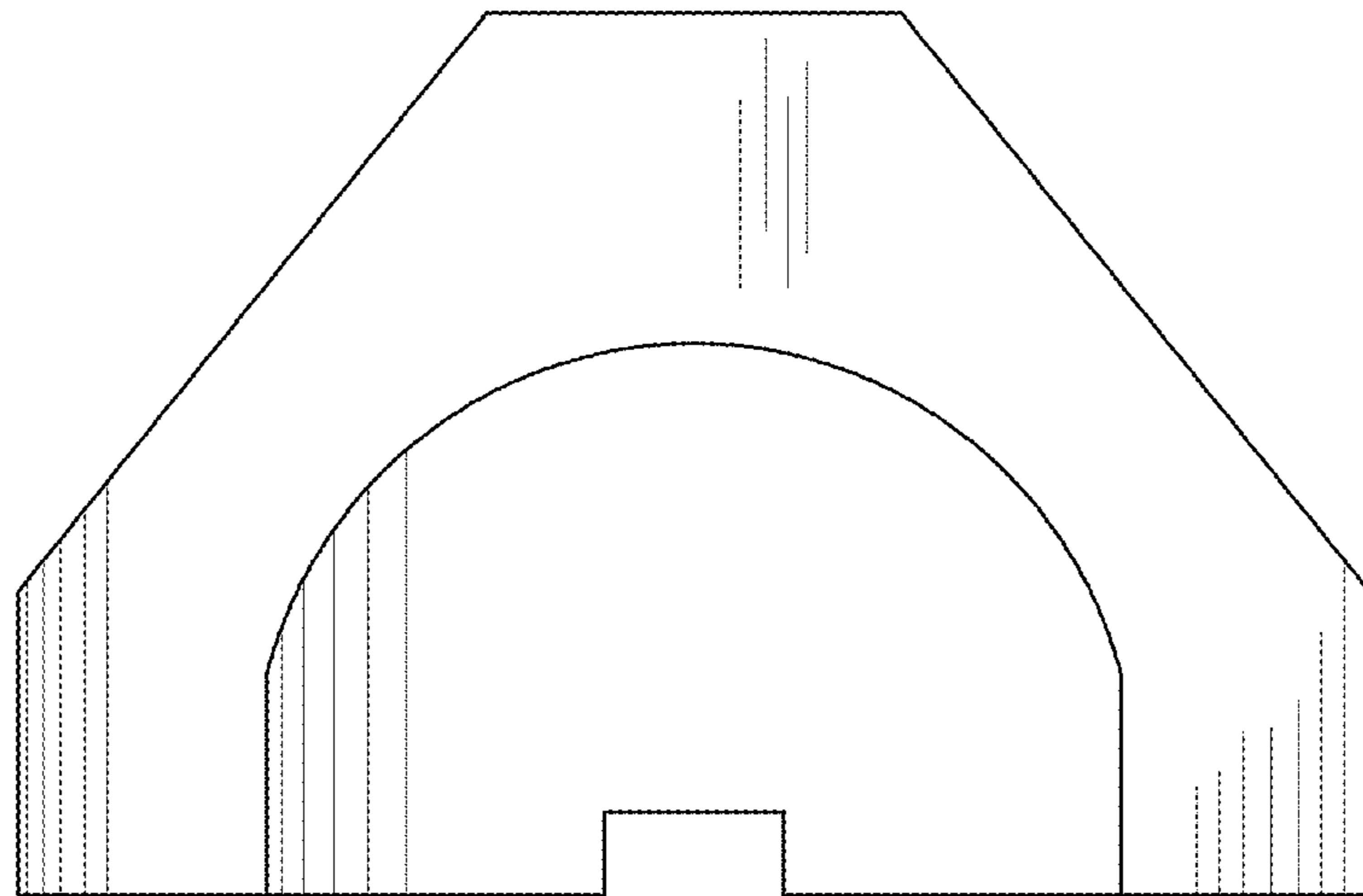


FIG. 5

FIG. 6



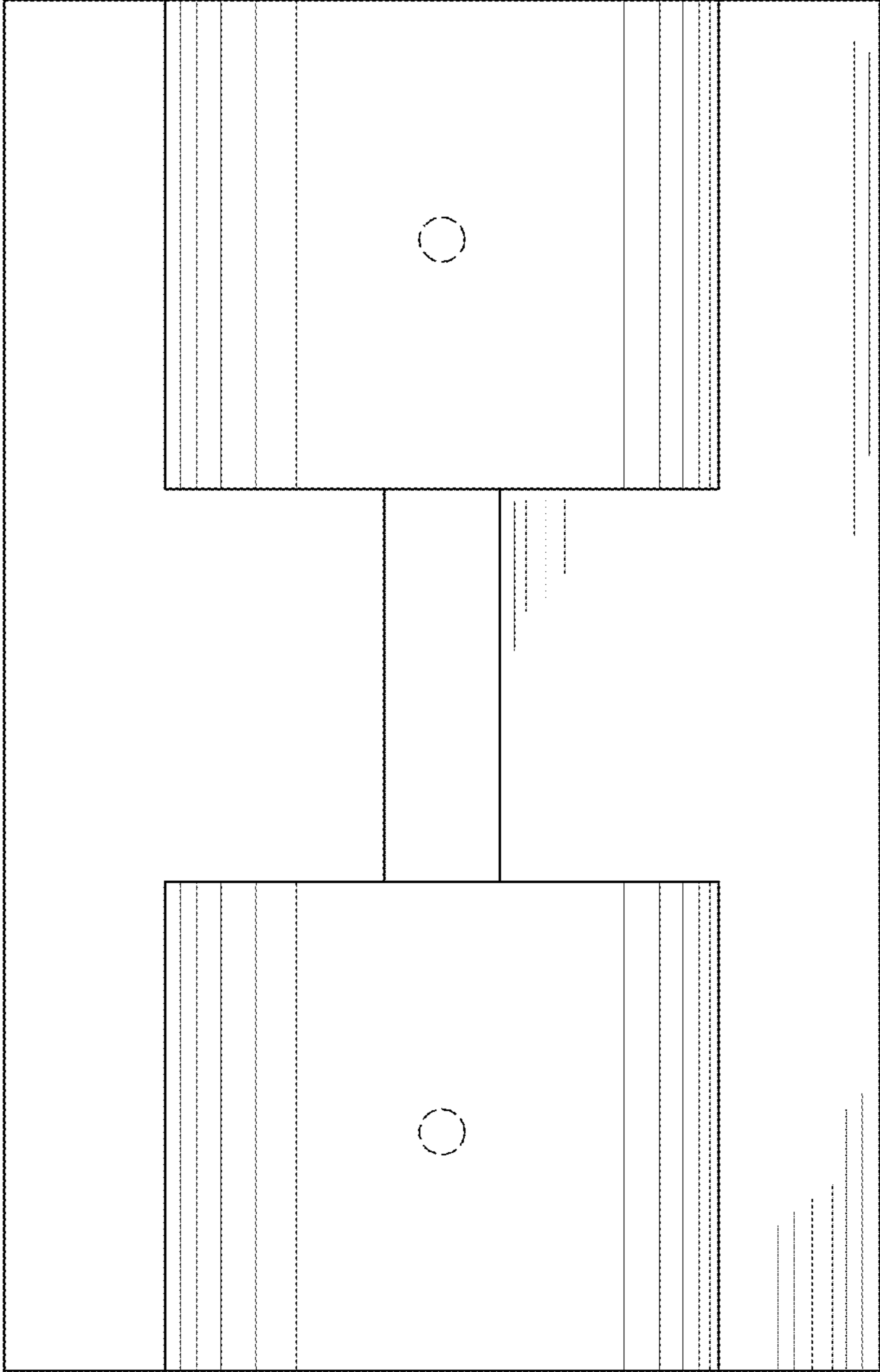


FIG. 7