



US00D738708S

(12) **United States Design Patent**
Moore

(10) **Patent No.:** **US D738,708 S**

(45) **Date of Patent:** **** Sep. 15, 2015**

- (54) **ROLLER SADDLE FOR SPINDLE BAR**
- (71) Applicant: **HENRY & WRIGHT CORPORATION**, Cleveland, OH (US)
- (72) Inventor: **Austin W. Moore**, Orange Village, OH (US)
- (73) Assignee: **HENRY & WRIGHT CORPORATION**, Cleveland, OH (US)

D314,905	S	*	2/1991	Kehm	D8/360
D332,389	S	*	1/1993	Dinges	D8/356
D406,231	S	*	3/1999	Brorsson et al.	D8/499
D407,631	S	*	4/1999	Fredriksson	D8/499
D416,194	S	*	11/1999	Brorsson et al.	D8/499
D419,056	S	*	1/2000	Brorsson et al.	D8/499
6,932,294	B1		8/2005	Larson		
D593,848	S	*	6/2009	Balemi et al.	D8/382
D593,849	S	*	6/2009	Balemi et al.	D8/382
D599,198	S	*	9/2009	Balemi et al.	D8/382

- (**) Term: **14 Years**
- (21) Appl. No.: **29/469,818**
- (22) Filed: **Oct. 15, 2013**
- (51) **LOC (10) Cl.** **08-05**
- (52) **U.S. Cl.**
USPC **D8/358**
- (58) **Field of Classification Search**
USPC D8/44, 358, 60, 314, 499, 382, 360;
D6/515; D12/96, 106, 400, 223, 217
CPC B66D 3/006; B66D 3/18; B66D 3/26;
B66D 3/02; B66D 3/14; B63B 21/18; B63B
21/26; B65B 57/005; A61G 7/1051; A61G
7/1061; B65H 16/02; B65H 2301/4131;
B65H 75/4471; B66B 11/08
See application file for complete search history.

OTHER PUBLICATIONS

Photograph #1 of Spindle Bar Saddle in use in USA Prior to Sep. 20, 2013.
 Photograph #2 of Spindle Bar Saddle in use in USA Prior to Sep. 20, 2013.
 Photograph #3 of Spindle Bar Saddle in use in USA Prior to Sep. 20, 2013.

(Continued)

Primary Examiner — Robert M Spear
Assistant Examiner — Eliza Bennett-Hattan
 (74) *Attorney, Agent, or Firm* — Pearne & Gordon LLP

(57) **CLAIM**
 The ornamental design for a roller saddle for spindle bar, as shown and described.

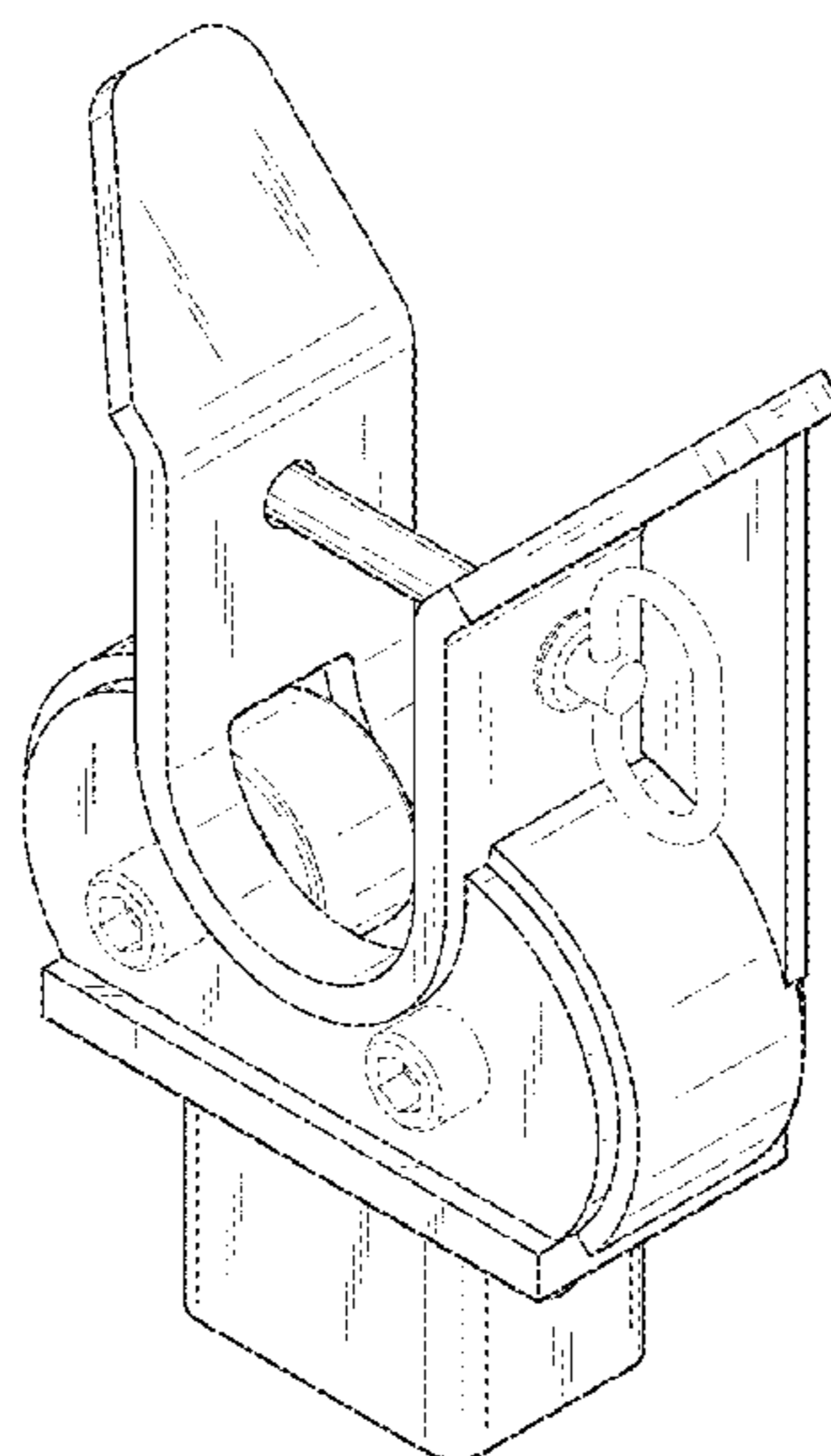
DESCRIPTION

FIG. 1 is a front-top-left perspective view of a roller saddle for spindle bar, showing my new design;
 FIG. 2 is a front elevational view thereof;
 FIG. 3 is a top plan view thereof;
 FIG. 4 is a left side elevational view thereof;
 FIG. 5 is a bottom plan view thereof;
 FIG. 6 is a back elevational view thereof; and,
 FIG. 7 is a right side elevational view thereof.
 In the drawings, the broken lines depict environmental subject matter only and form no part of the claimed design.

1 Claim, 3 Drawing Sheets

(56) **References Cited**
 U.S. PATENT DOCUMENTS

D16,031	S	*	4/1885	Stearns	D8/360
1,638,432	A	*	8/1927	Connors	254/231
1,837,175	A		12/1931	Steubing, Jr.		
2,347,893	A		5/1944	Dickhaut		
2,551,190	A		5/1951	Walker		
4,030,704	A		6/1977	Beierle et al.		
D246,286	S	*	11/1977	Moore	D8/360
D265,171	S	*	6/1982	Zukaitis	D8/44
4,365,768	A		12/1982	Woodruff		
4,701,098	A		10/1987	Bills et al.		



(56)

References Cited

OTHER PUBLICATIONS

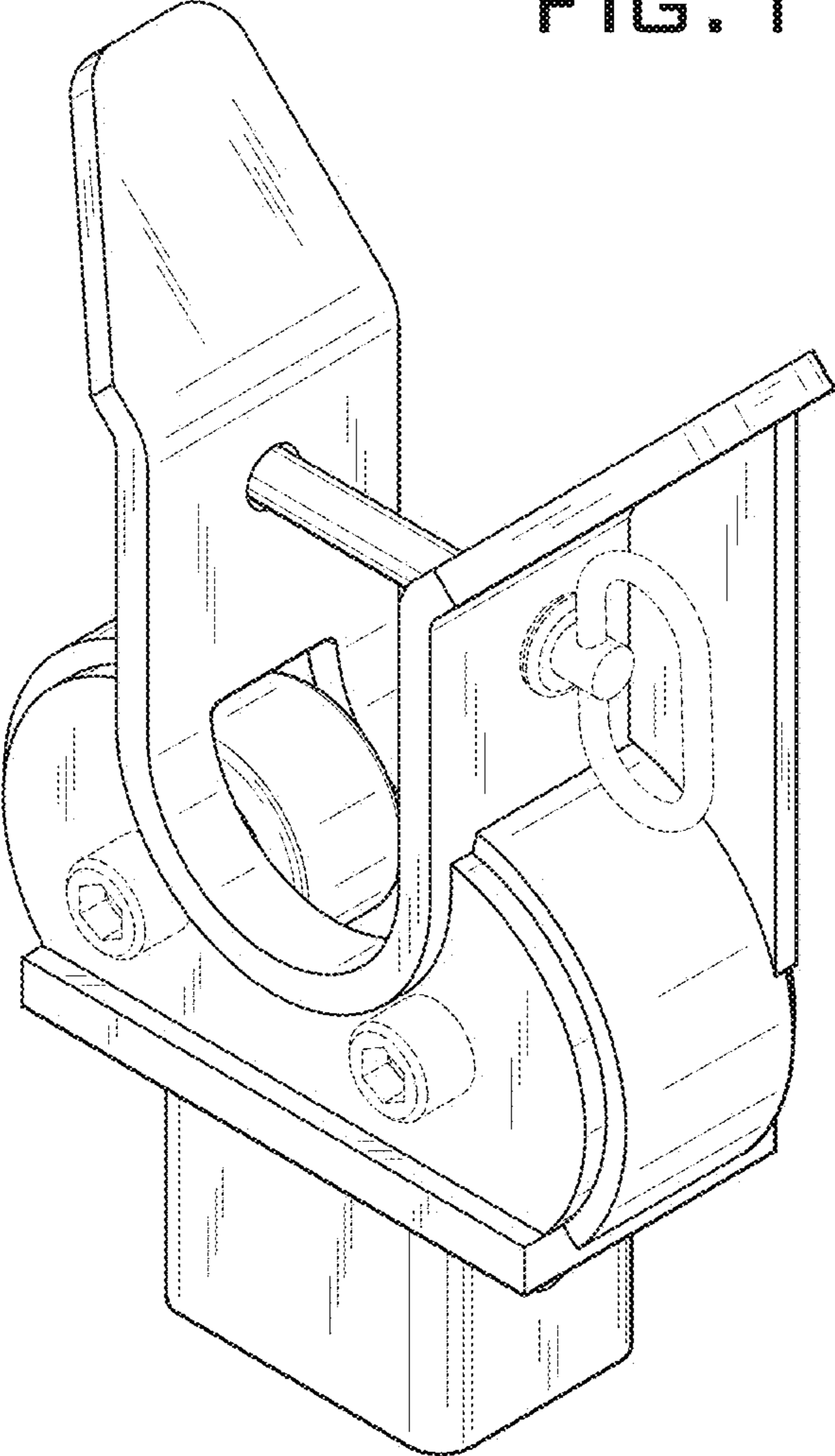
Photograph #4 of Spindle Bar Saddle in use in USA Prior to Sep. 20, 2013.

Photograph #5 of Spindle Bar Saddle in use in USA Prior to Sep. 20, 2013.

Photograph #6 of Spindle Bar Saddle in use in USA Prior to Sep. 20, 2013.

* cited by examiner

FIG. 1



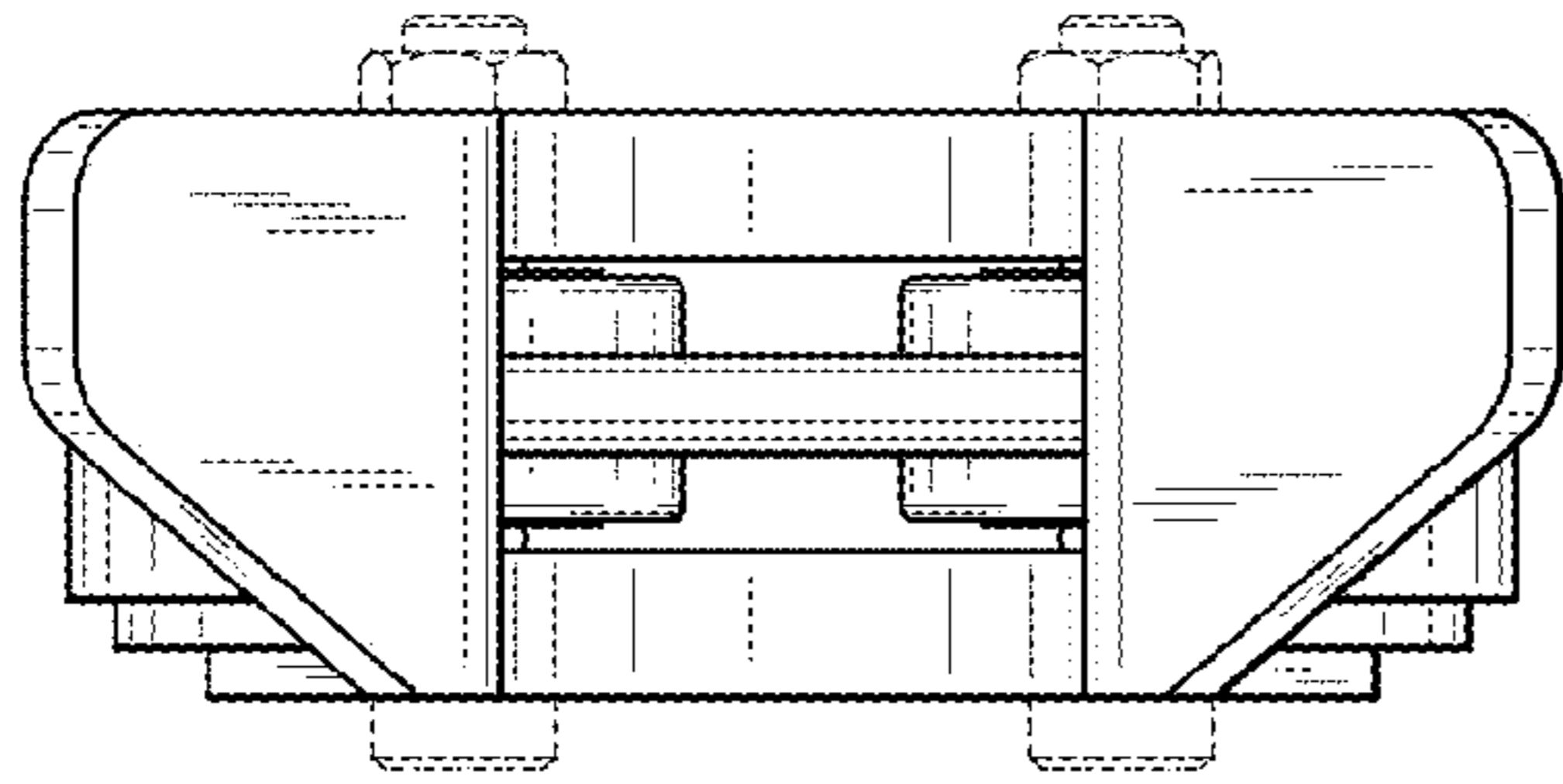


FIG. 3

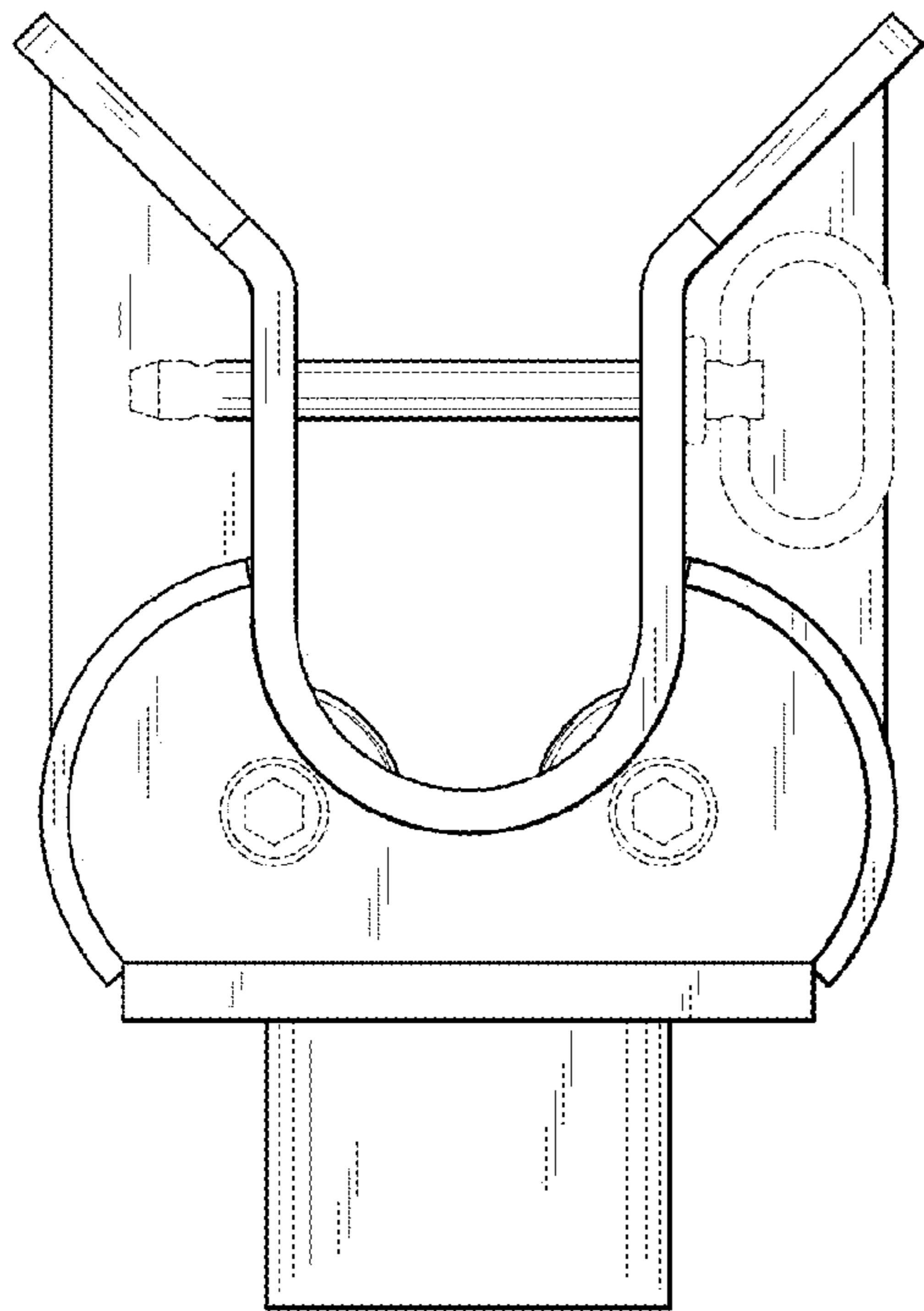


FIG. 2

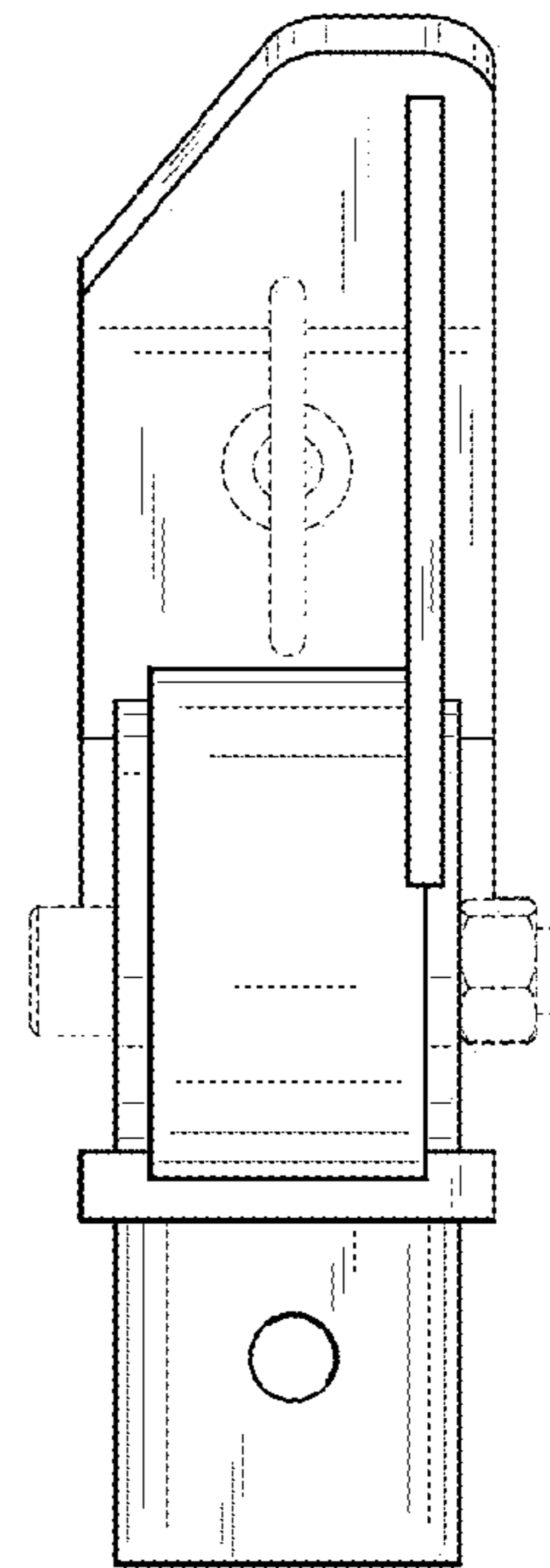


FIG. 4

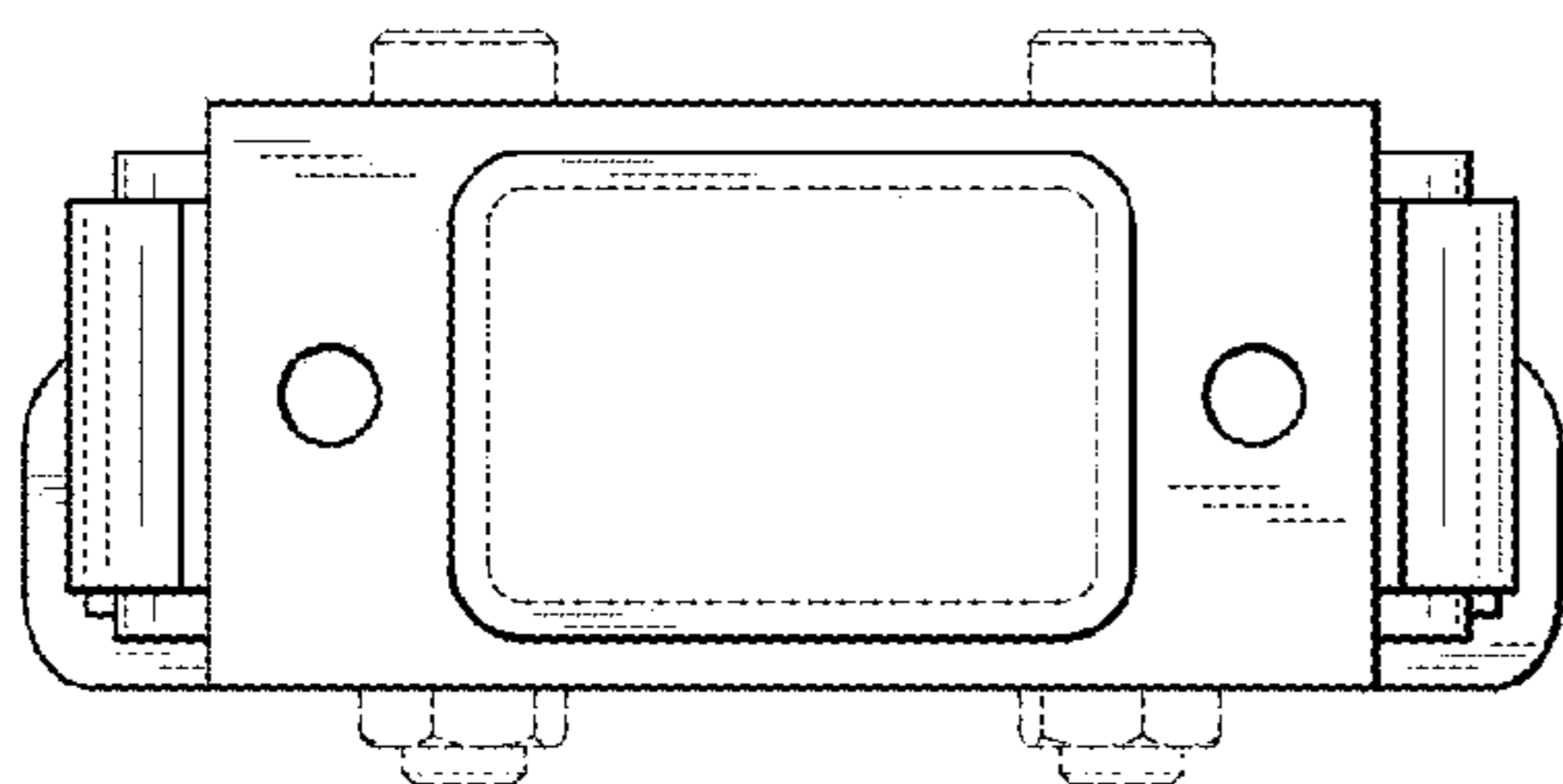


FIG. 5

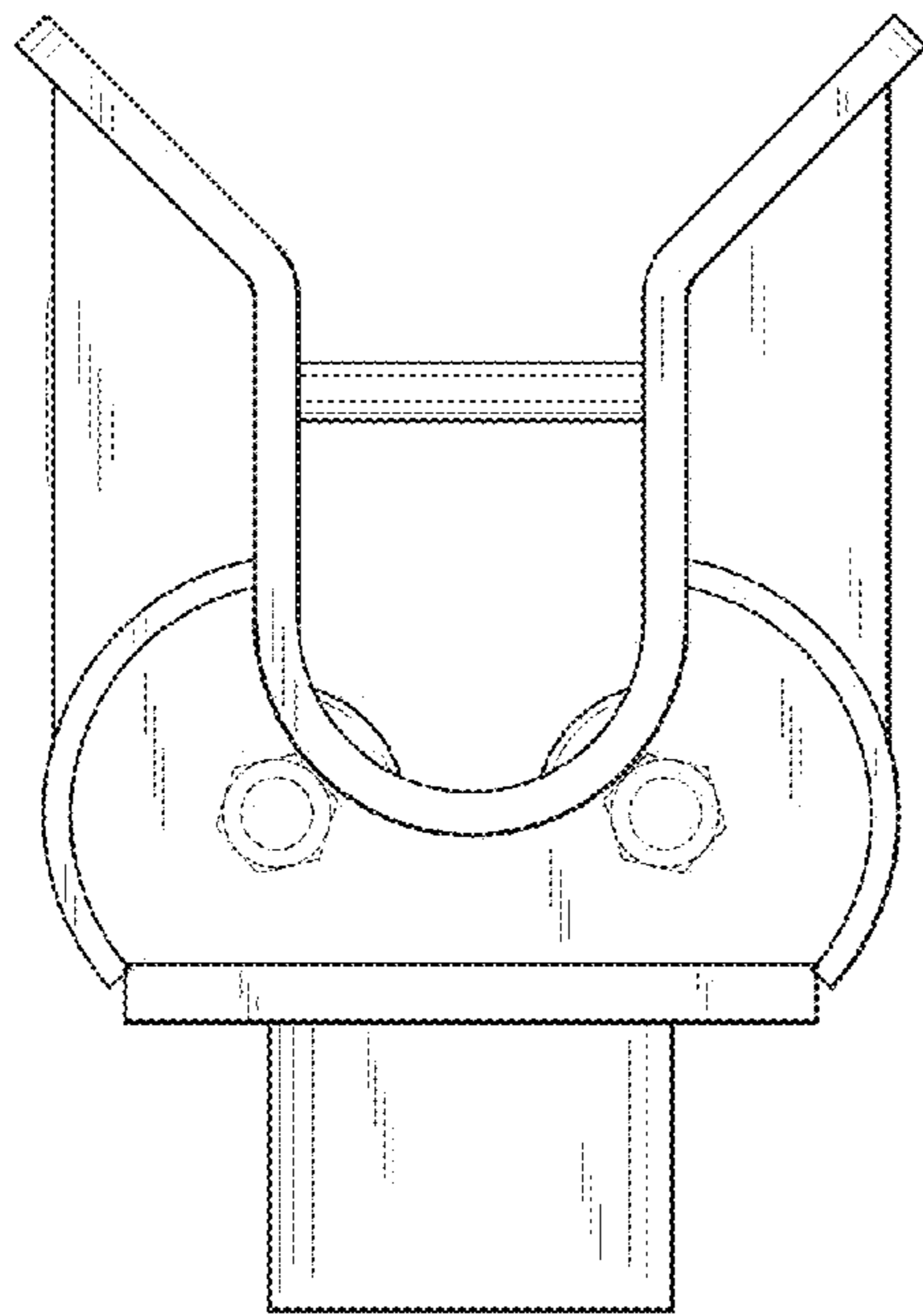


FIG. 6

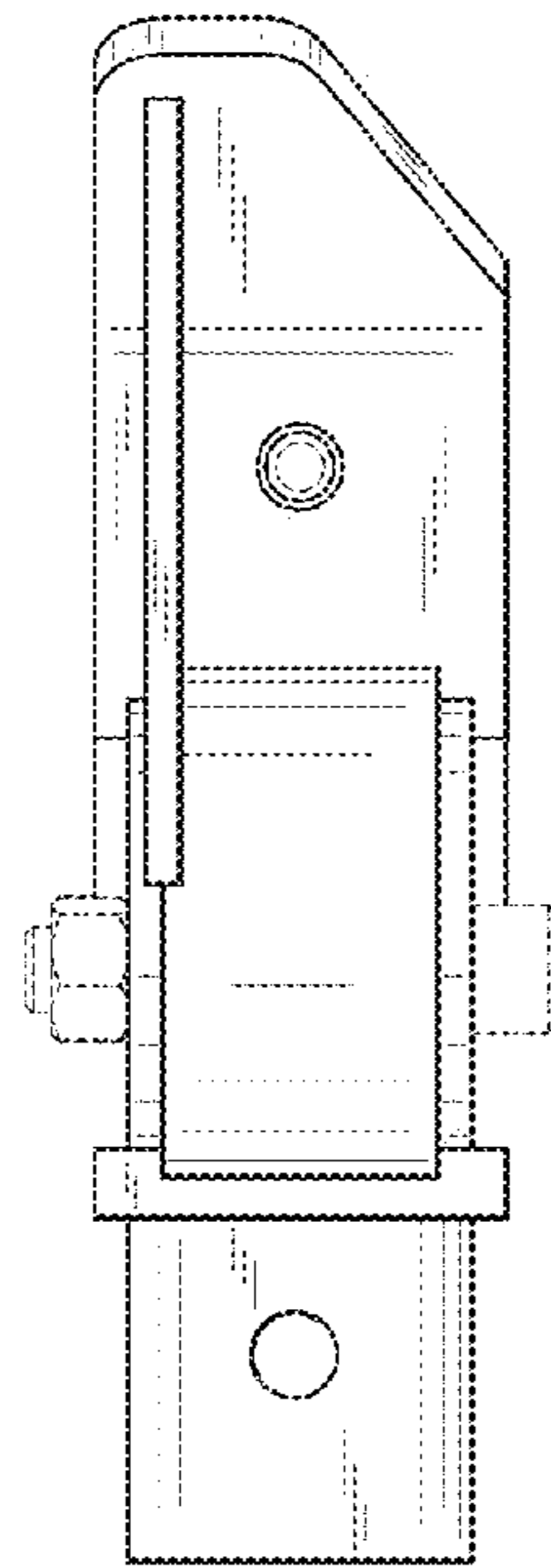


FIG. 7