



US00D738707S

(12) **United States Design Patent**
Tung

(10) **Patent No.:** **US D738,707 S**

(45) **Date of Patent:** **** Sep. 15, 2015**

(54) **BOAT FENDER CLEAT**

(71) Applicant: **Marine Town Inc.**, New Taipei (TW)

(72) Inventor: **Chin-Chung Tung**, New Taipei (TW)

(73) Assignee: **MARINE TOWN INC.**, New Taipei (TW)

(**) Term: **14 Years**

(21) Appl. No.: **29/511,893**

(22) Filed: **Dec. 15, 2014**

(51) **LOC (10) Cl.** **08-05**

(52) **U.S. Cl.**
USPC **D8/356**

(58) **Field of Classification Search**
USPC D8/367, 354, 349, 373, 323, 356, 397;
248/301-304, 339, 205.3, 220.21,
248/220.31; 211/87.01, 59.1; 24/132 R,
24/367, 354, 356
CPC A47G 1/00; A47G 25/00
See application file for complete search history.

(56) **References Cited**

U.S. PATENT DOCUMENTS

3,940,941	A *	3/1976	Libert et al.	405/259.6
D269,410	S *	6/1983	Johansson	D8/367
D269,411	S *	6/1983	Johansson	D8/367
4,607,984	A *	8/1986	Cassidy	405/259.6
D359,431	S *	6/1995	Motley	D8/44
D524,149	S *	7/2006	Kim	D8/397
D588,442	S *	3/2009	Chong et al.	D8/356
D605,500	S *	12/2009	Lee et al.	D8/387
D630,086	S *	1/2011	Chou	D8/356
D646,154	S *	10/2011	Andersson	D8/397
D654,778	S *	2/2012	Hines et al.	D8/356

D679,988	S *	4/2013	Yamazaki	D8/397
D692,293	S *	10/2013	Toscani et al.	D8/356
D699,552	S *	2/2014	Wills	D8/380
D704,543	S *	5/2014	Kuhmichel et al.	D8/397
8,806,835	B2 *	8/2014	Espinosa	52/698
8,827,231	B1 *	9/2014	Blair	248/507
D716,640	S *	11/2014	Martinson	D8/356
D717,157	S *	11/2014	Widdows et al.	D8/356
8,875,471	B2 *	11/2014	Siqueiros	52/745.2
D722,489	S *	2/2015	Yamazaki	D8/387
D731,296	S *	6/2015	Nelson et al.	D8/356
2004/0226857	A1 *	11/2004	Wright et al.	206/713
2010/0024993	A1 *	2/2010	Chou	160/323.1
2010/0227517	A1 *	9/2010	Bailey	441/3

* cited by examiner

Primary Examiner — Cynthia Underwood

(74) *Attorney, Agent, or Firm* — WPAT, P.C.; Anthony King

(57) **CLAIM**

The ornamental design for a “boat fender cleat,” as shown and described.

DESCRIPTION

FIG. 1 is a perspective view of a boat fender cleat showing our new design thereof;

FIG. 2 is a front elevational view thereof;

FIG. 3 is a rear elevational view thereof;

FIG. 4 is a left side elevational view thereof;

FIG. 5 is a right side elevational view thereof;

FIG. 6 is a top plan view thereof;

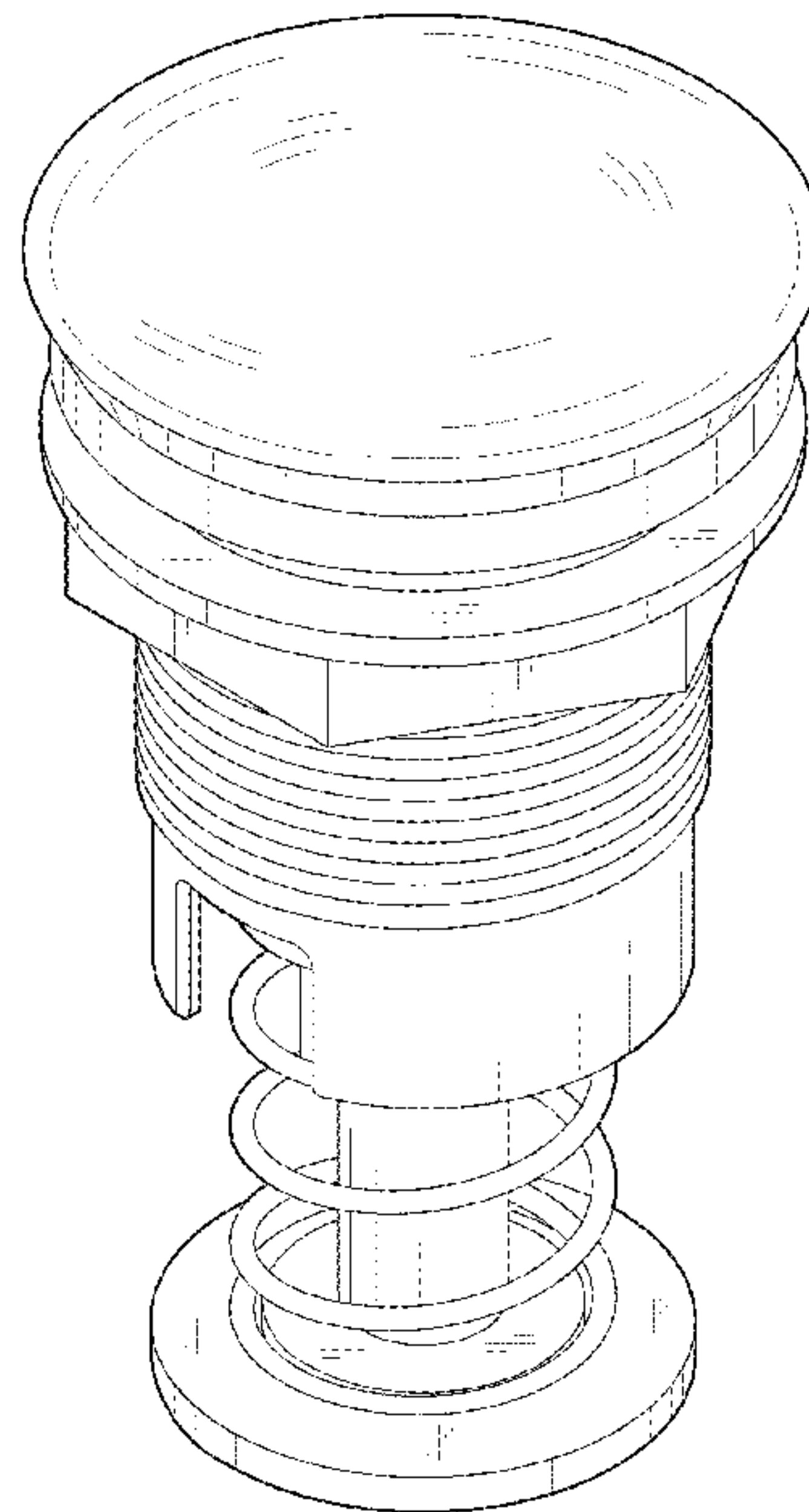
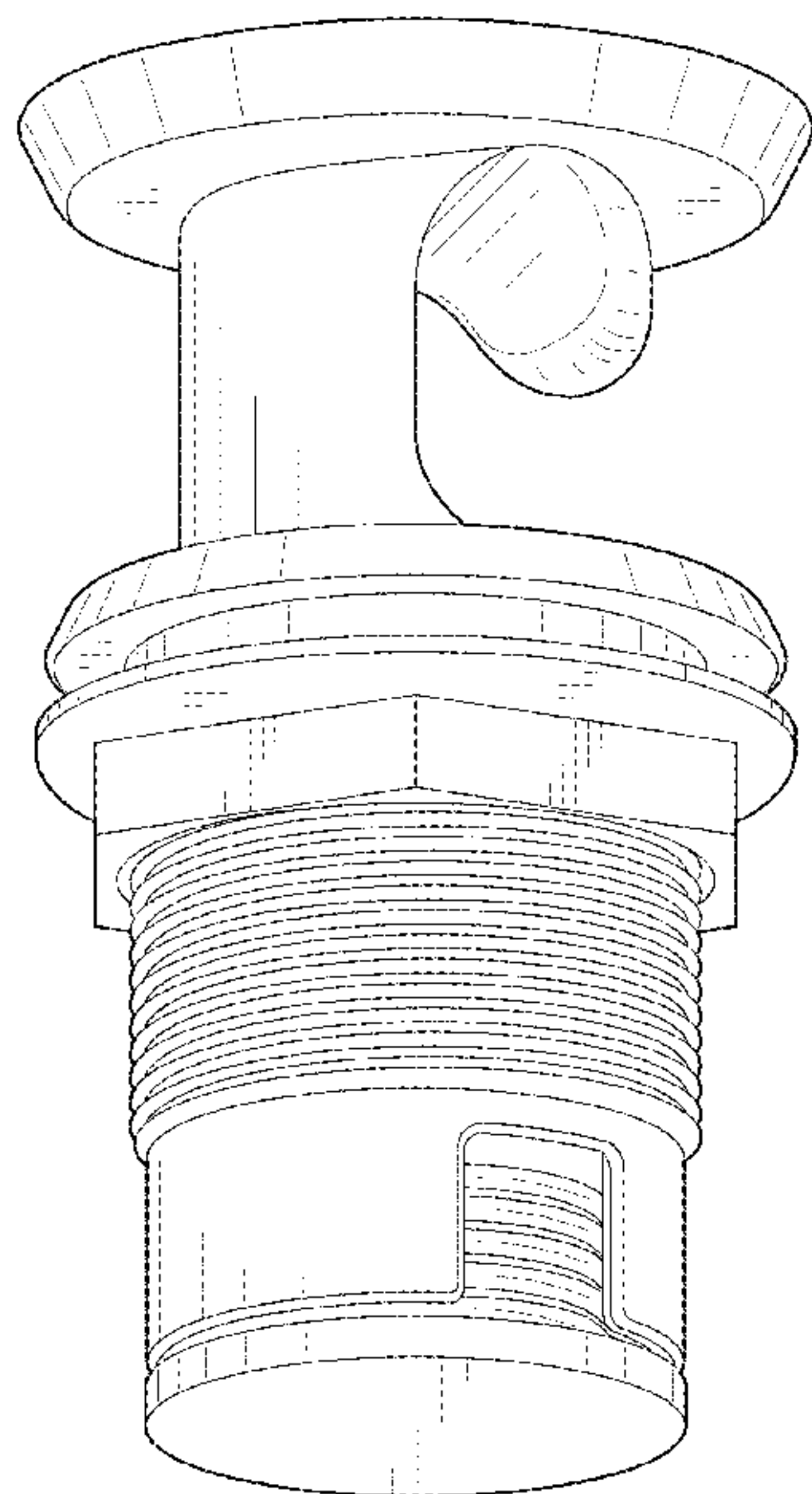
FIG. 7 is a bottom plan view;

FIG. 8 is another perspective view thereof;

FIG. 9 is a perspective view of the boat fender cleat in closed position; and,

FIG. 10 is a front elevational view of the boat fender cleat in closed position.

1 Claim, 10 Drawing Sheets



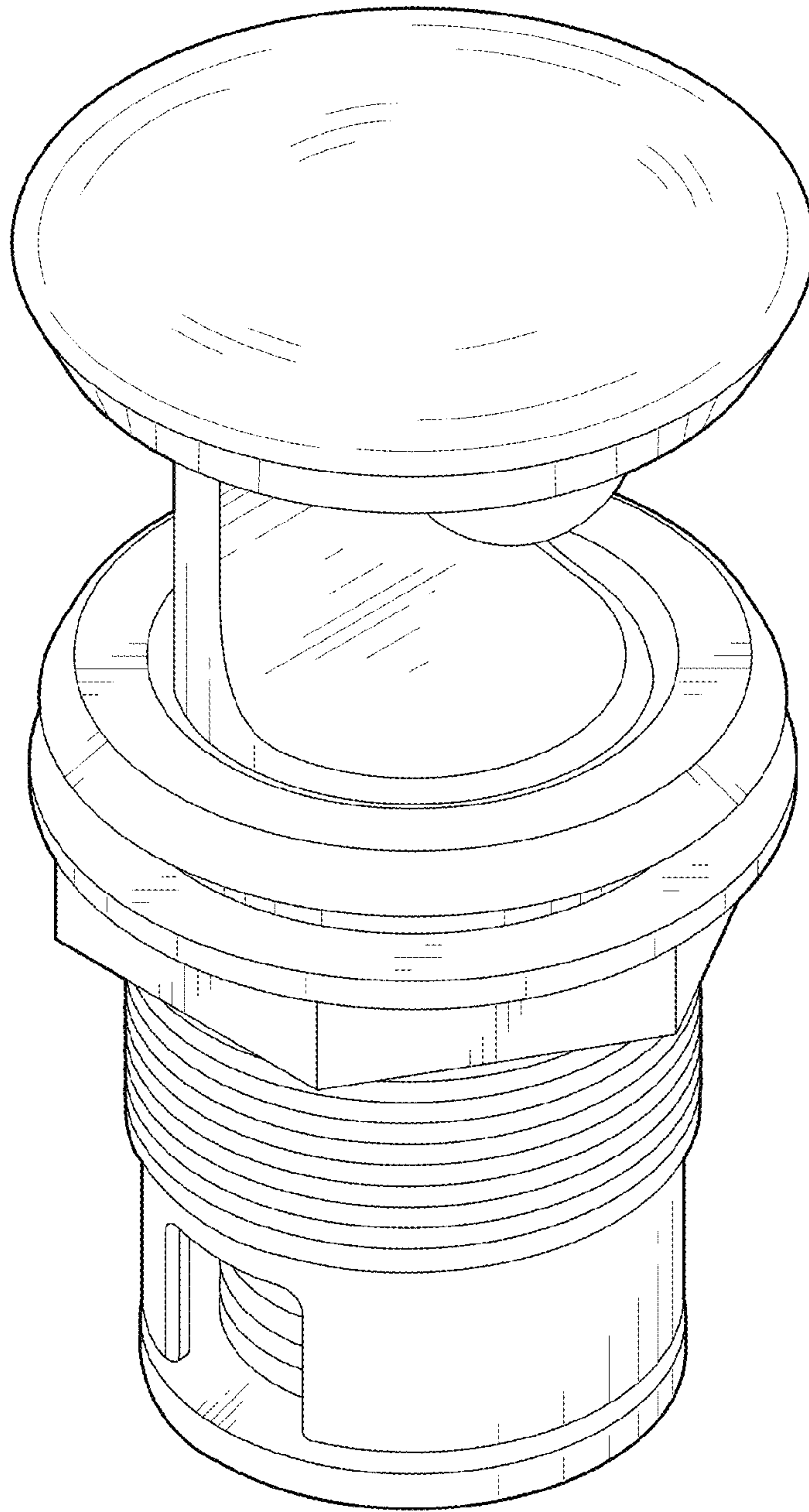


FIG.1

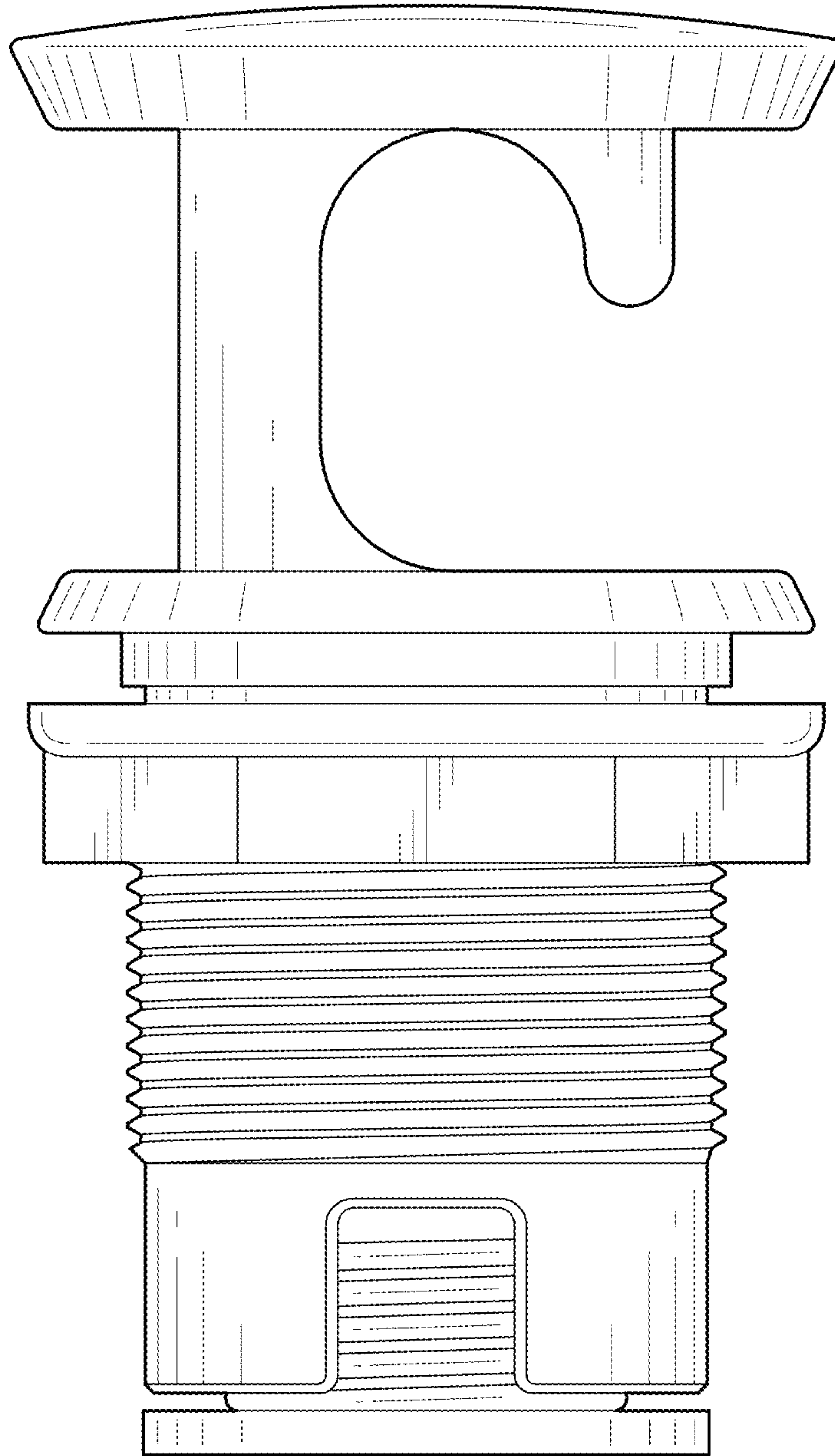


FIG.2

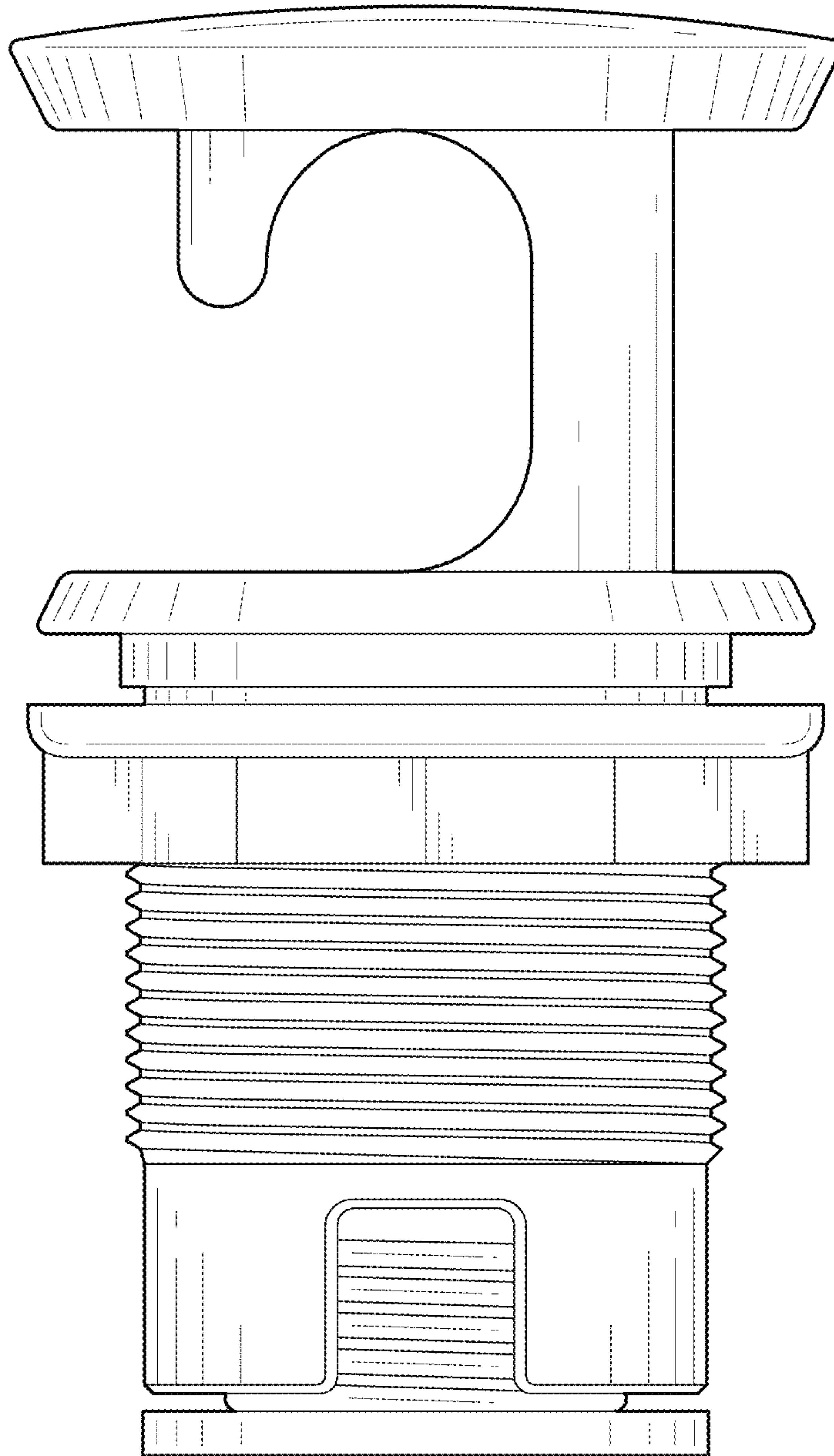


FIG.3

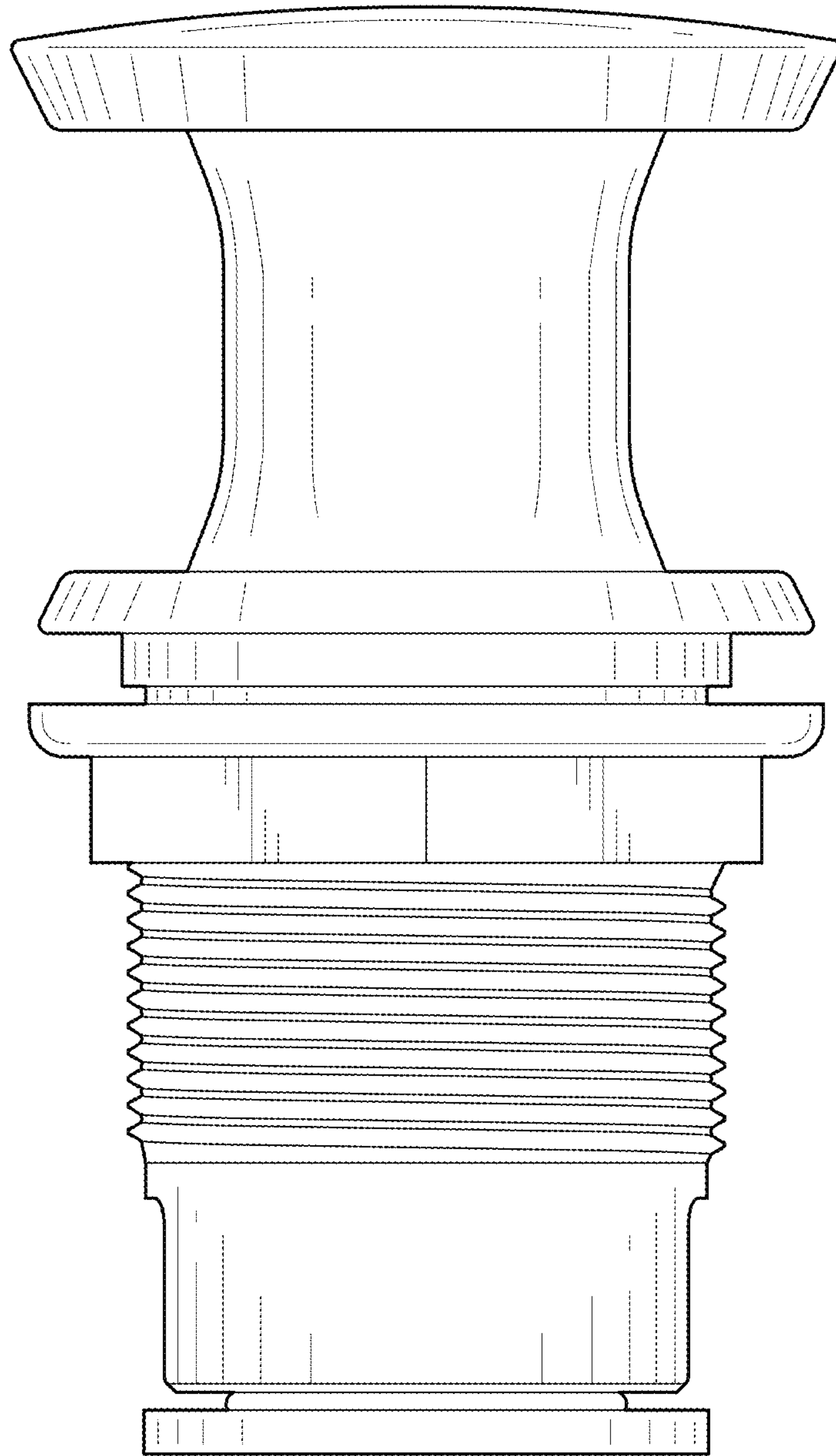


FIG.4

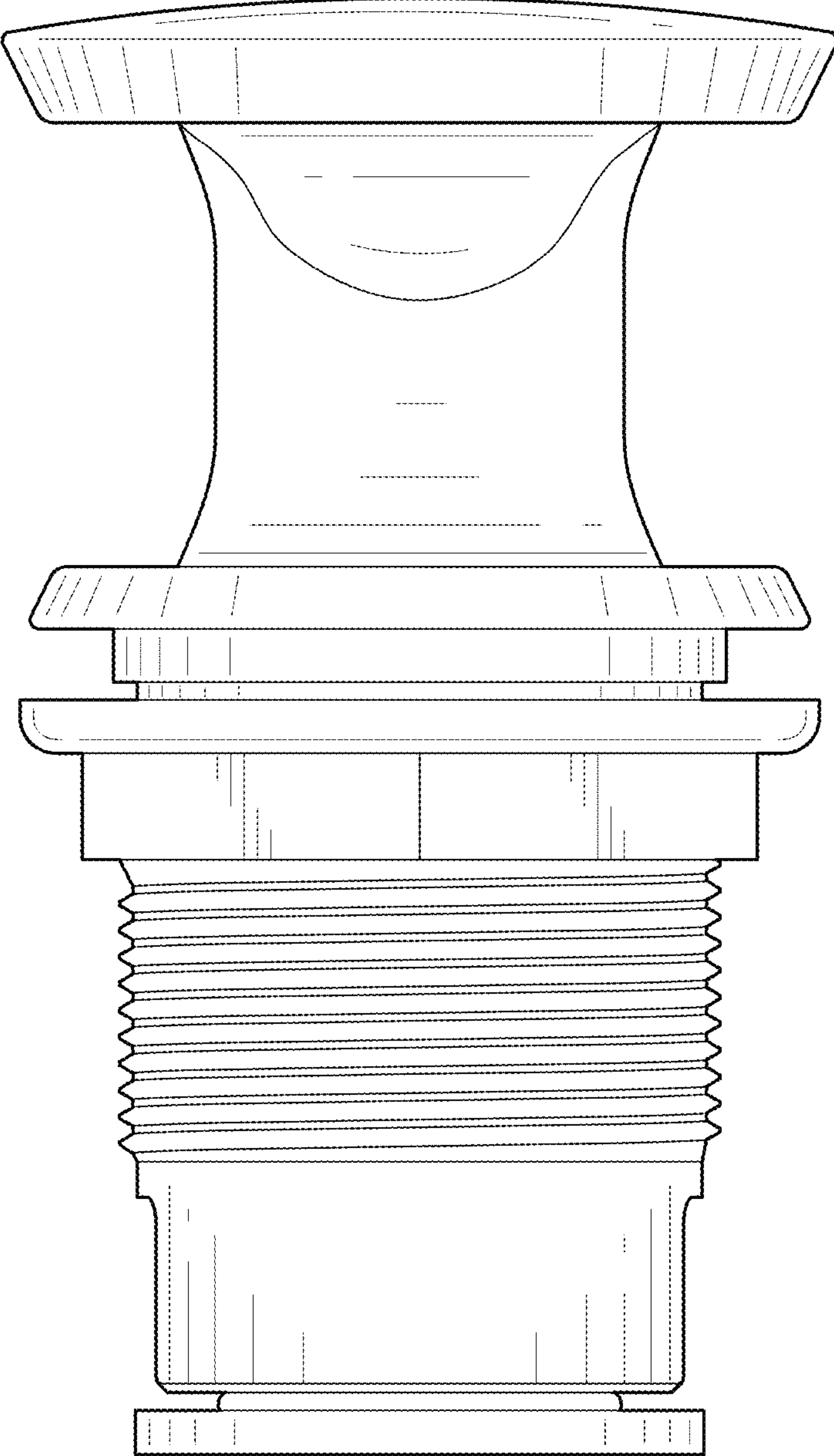


FIG.5

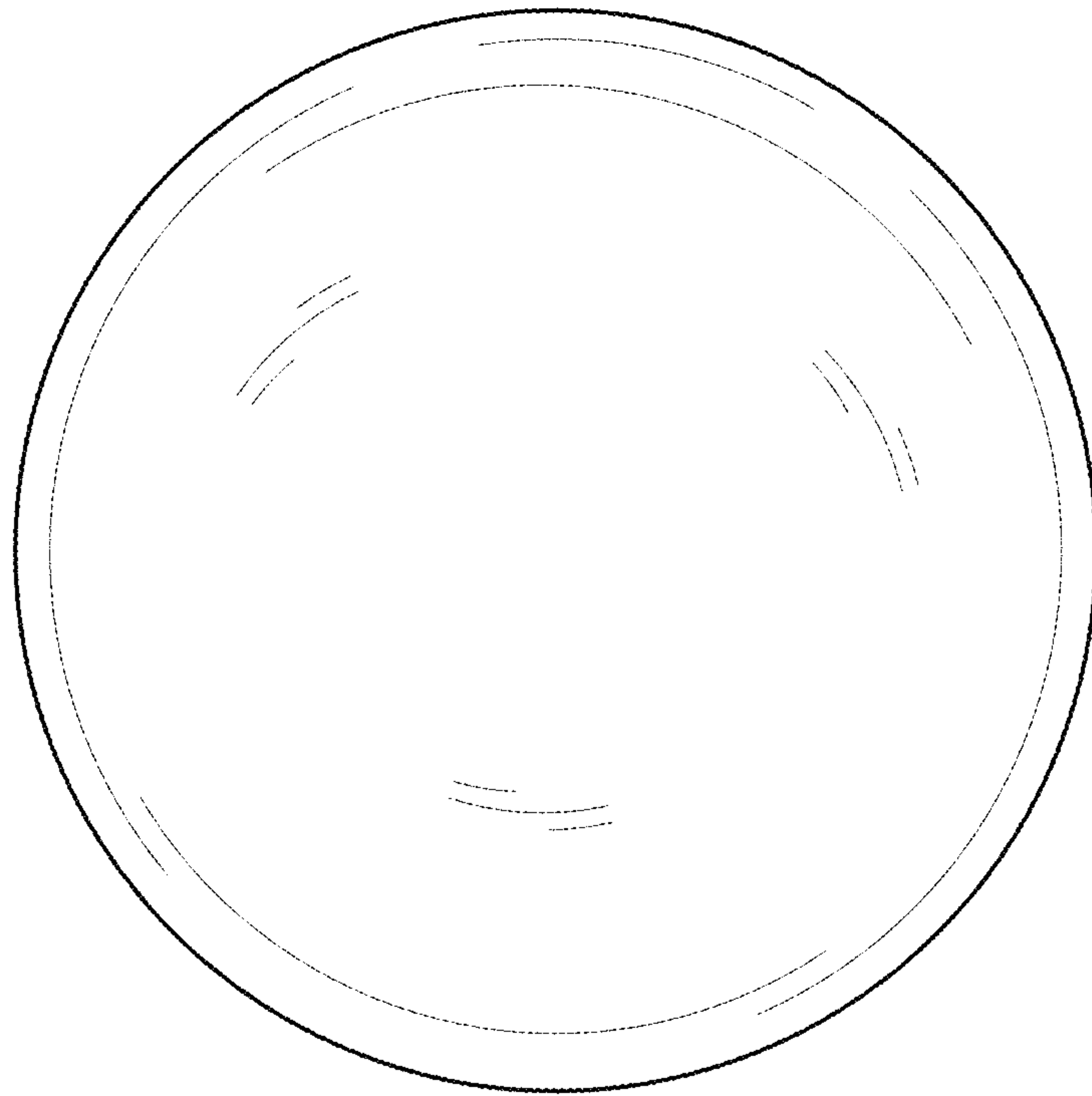


FIG.6

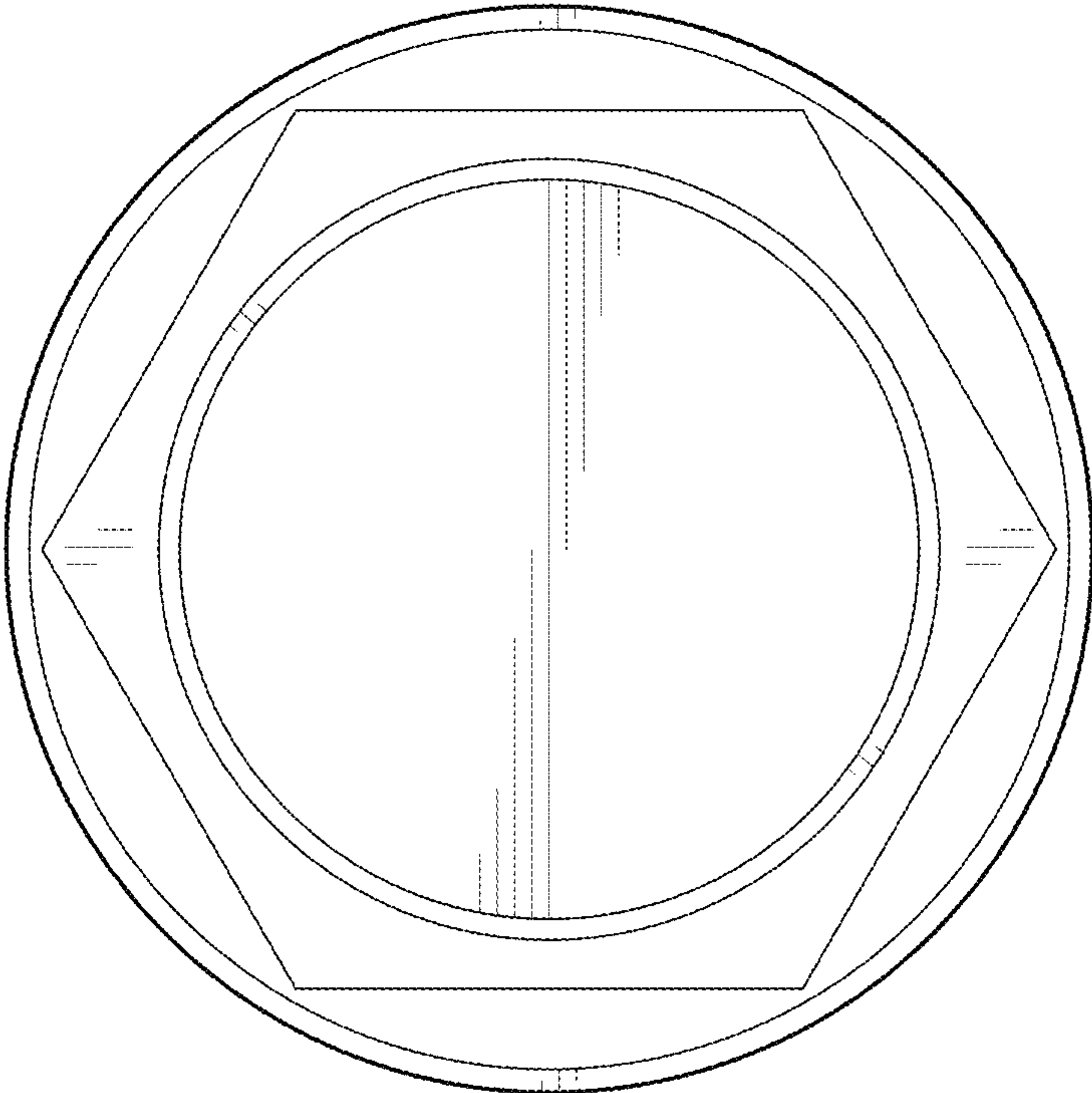


FIG.7

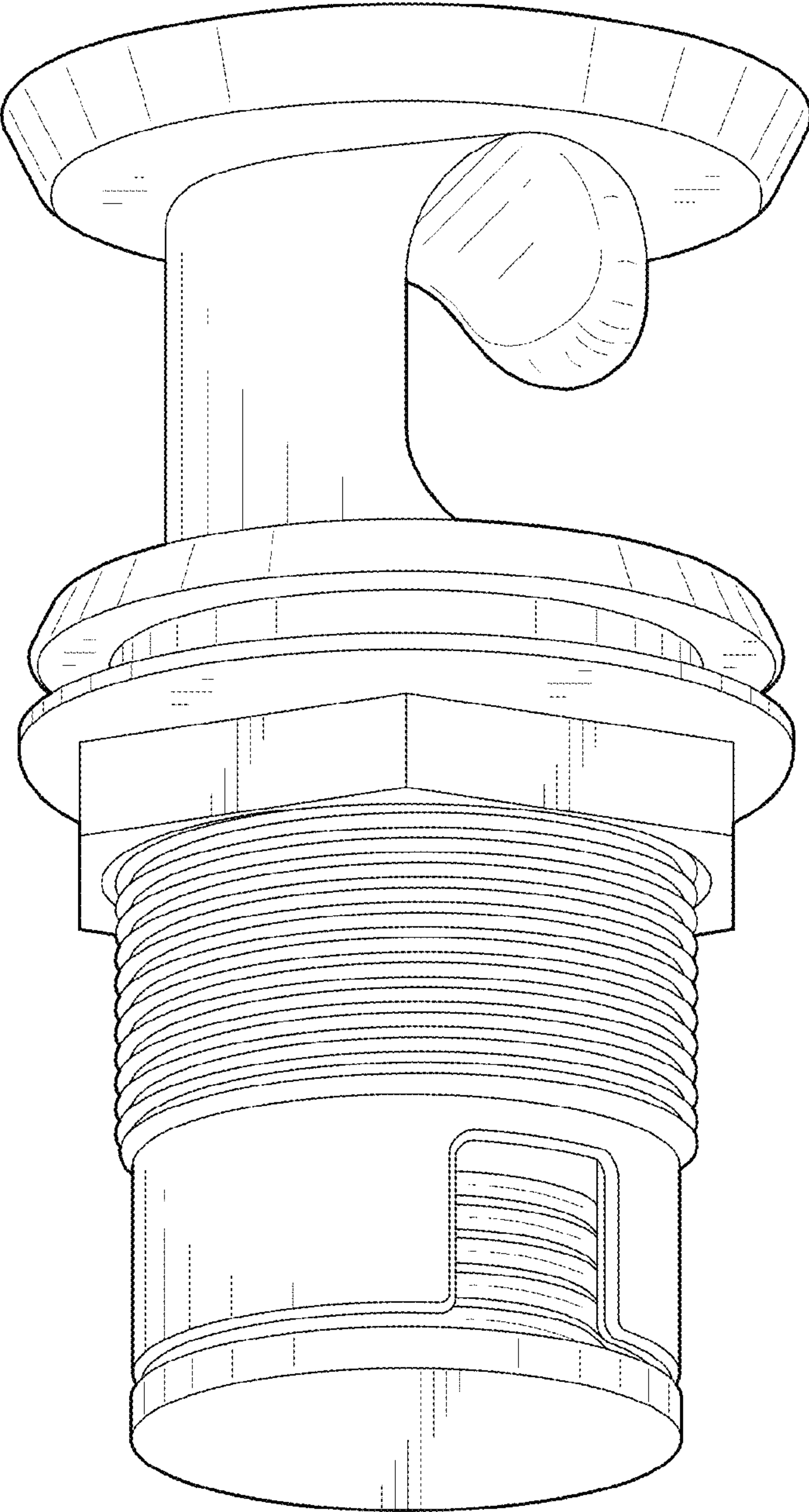


FIG.8

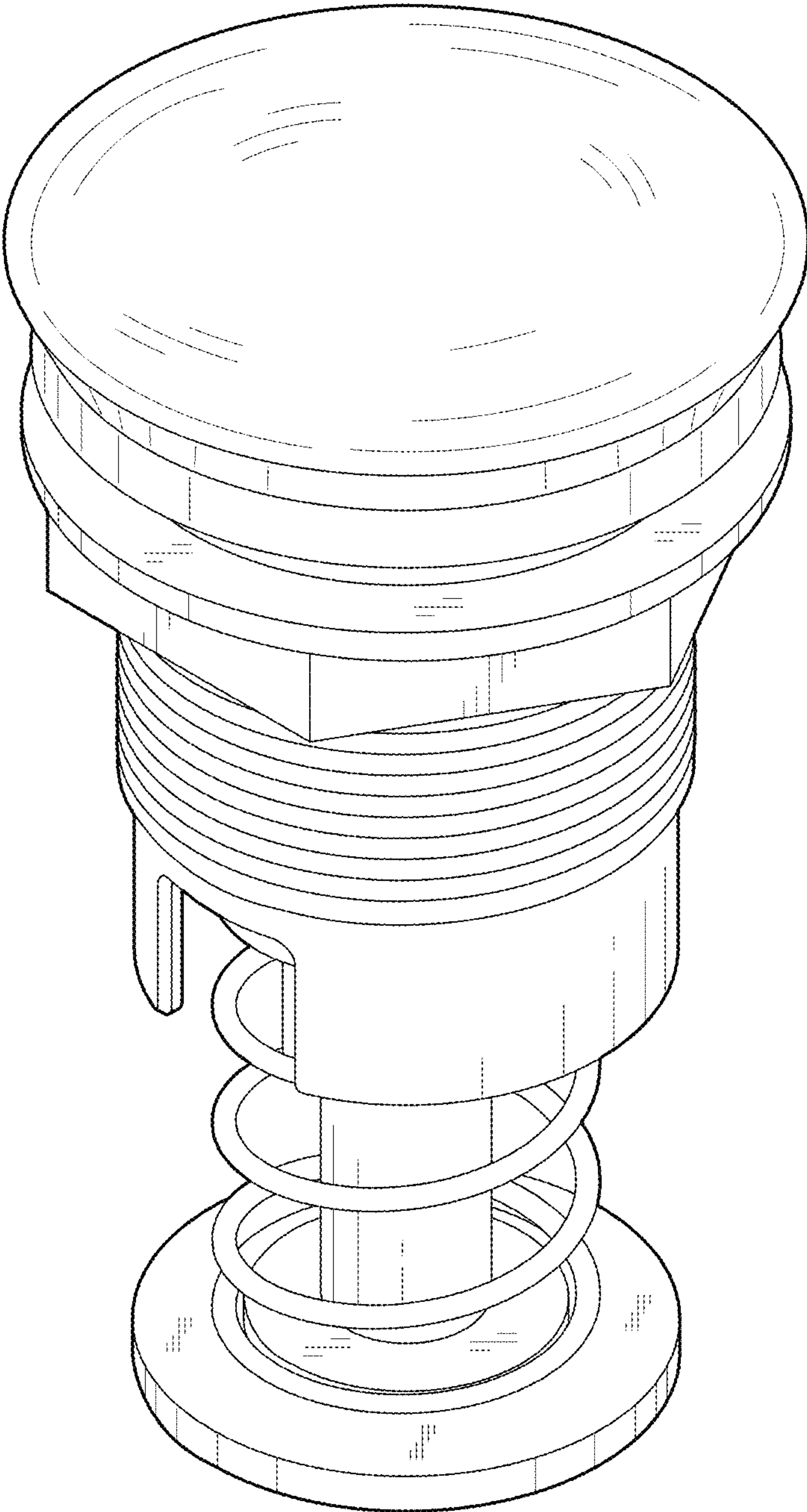


FIG.9

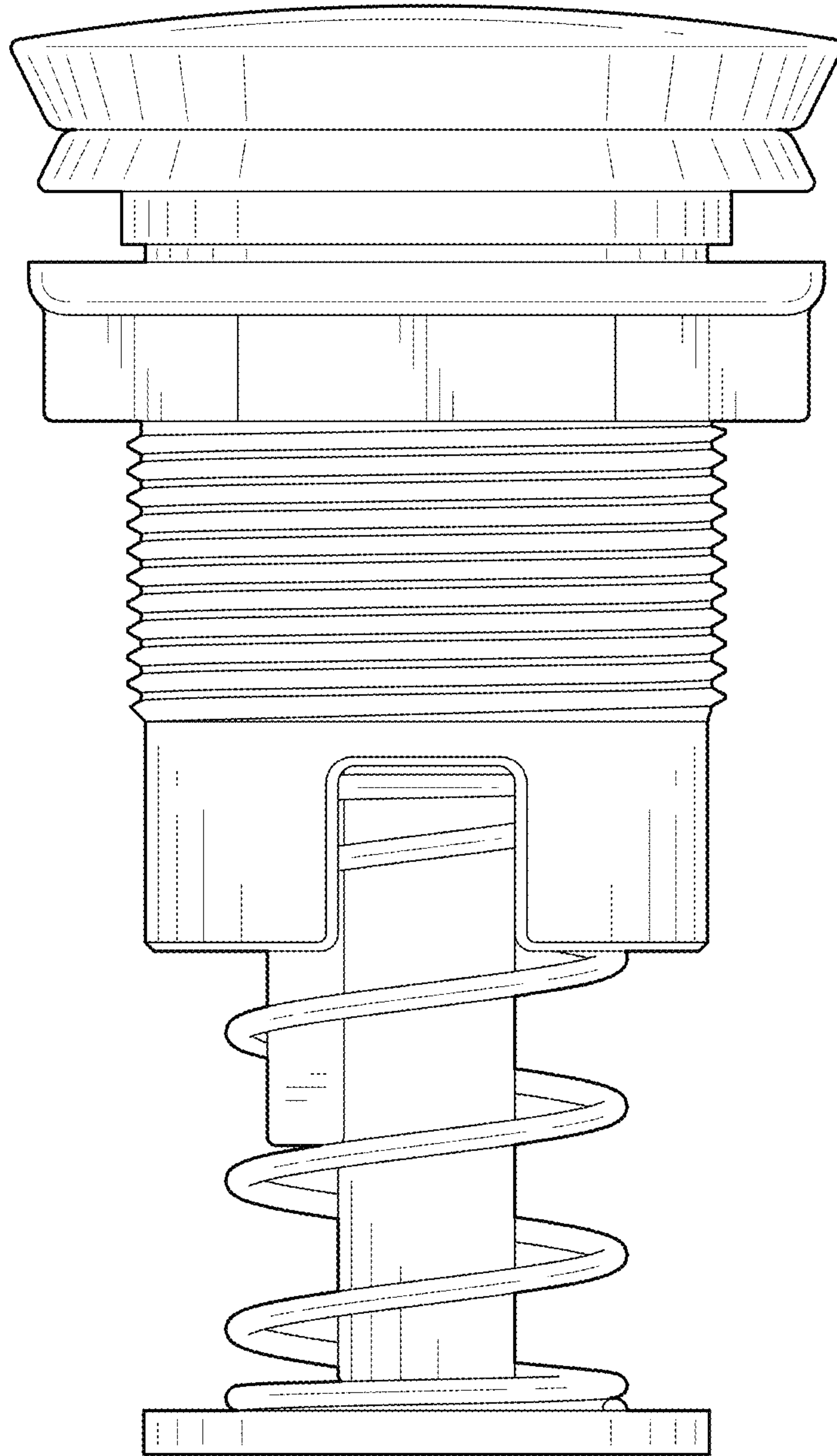


FIG.10