

US00D738706S

(12) **United States Design Patent**
Knapp

(10) **Patent No.:** **US D738,706 S**

(45) **Date of Patent:** **** *Sep. 15, 2015**

- (54) **DECORATIVE FEEDTHROUGH**
- (71) Applicant: **Michael A. Knapp**, Orange, CA (US)
- (72) Inventor: **Michael A. Knapp**, Orange, CA (US)
- (*) Notice: This patent is subject to a terminal disclaimer.
- (**) Term: **14 Years**
- (21) Appl. No.: **29/486,924**
- (22) Filed: **Apr. 3, 2014**
- (51) **LOC (10) Cl.** **08-05**
- (52) **U.S. Cl.**
USPC **D8/356**
- (58) **Field of Classification Search**
USPC D8/367, 354, 349, 373, 323, 356, 397;
248/301-304, 339, 205.3, 220.21,
248/220.31; 24/132 R, 367, 354, 356;
211/87.01, 59.1
CPC A47G 1/00; A47G 25/00
See application file for complete search history.

D588,442 S *	3/2009	Chong et al.	D8/356
D605,500 S *	12/2009	Lee et al.	D8/387
D630,086 S *	1/2011	Chou	D8/356
D646,154 S *	10/2011	Andersson	D8/397
D654,778 S *	2/2012	Hines et al.	D8/356
D679,988 S *	4/2013	Yamazaki	D8/397
D692,293 S *	10/2013	Toscani et al.	D8/356
8,602,690 B2	12/2013	Mitri	
D699,552 S *	2/2014	Wills	D8/380
D704,543 S *	5/2014	Kuhmichel et al.	D8/397
D716,640 S *	11/2014	Martinson	D8/356
D717,157 S *	11/2014	Widdows et al.	D8/356
D722,489 S *	2/2015	Yamazaki	D8/387
D731,296 S *	6/2015	Nelson et al.	D8/356
2004/0226857 A1 *	11/2004	Wright et al.	206/713
2009/0191007 A1	7/2009	Seegmiller	
2010/0024993 A1 *	2/2010	Chou	160/323.1

* cited by examiner

Primary Examiner — Cynthia Underwood
(74) *Attorney, Agent, or Firm* — Patent Law & Venture Group; Gene Scott

(57) **CLAIM**
An ornamental design for a decorative feedthrough, as shown and described.

DESCRIPTION

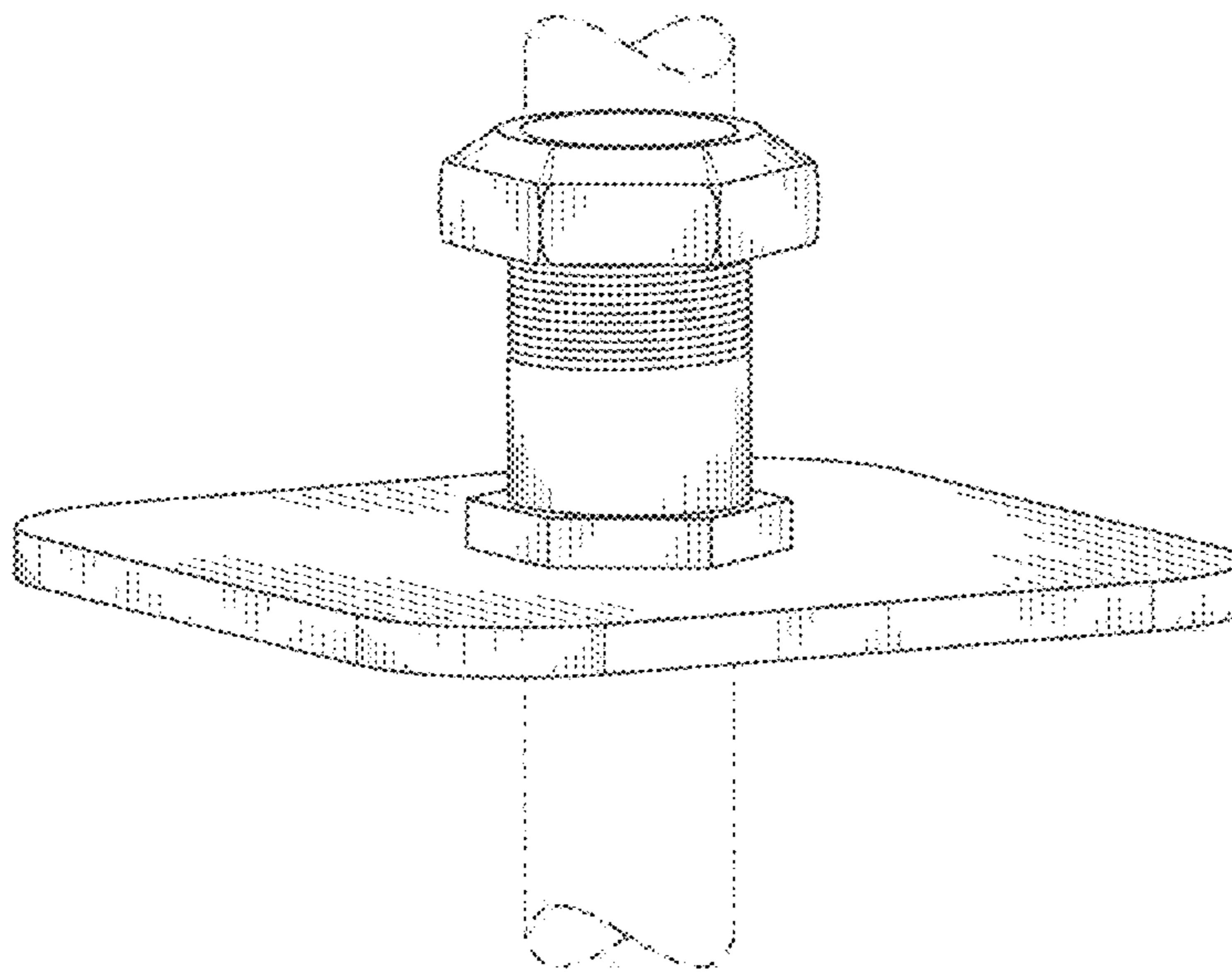
FIG. 1 is a perspective view of my new design as seen from a first direction;
FIG. 2 is a top plan view thereof;
FIG. 3 is a bottom plan view thereof; and,
FIG. 4 is a further perspective view thereof shown with a decorative nut and washer in extended positions, and as seen from a second direction opposite said first direction.
The broken lines shown in FIGS. 1 and 4 illustrate a tube engaged within the feedthrough and which forms no part of the claimed design but is shown to merely indication how the design is used.

1 Claim, 4 Drawing Sheets

(56) **References Cited**

U.S. PATENT DOCUMENTS

3,544,053 A	12/1970	Ingalls	
3,940,941 A *	3/1976	Libert et al.	405/259.6
D269,410 S *	6/1983	Johansson	D8/367
D269,411 S *	6/1983	Johansson	D8/367
4,445,808 A	5/1984	Arya	
4,607,984 A *	8/1986	Cassidy	405/259.6
D359,431 S *	6/1995	Motley	D8/44
5,531,545 A	7/1996	Seegmiller	
5,769,570 A	6/1998	Stankus et al.	
5,951,225 A	9/1999	Osterle et al.	
5,954,456 A	9/1999	Bowles	
6,561,721 B2	5/2003	Lausch et al.	
D524,149 S *	7/2006	Kim	D8/397



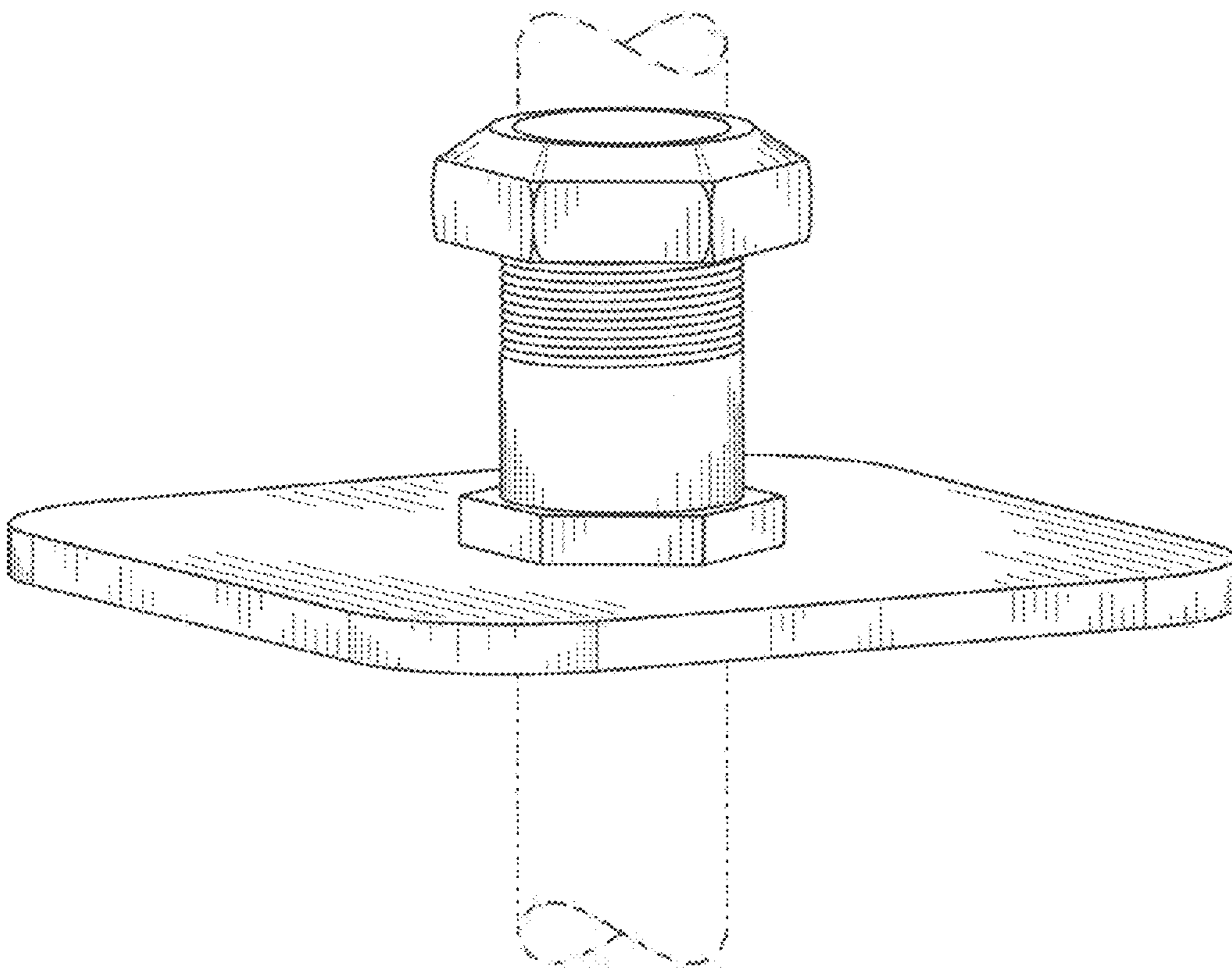


FIG. 1

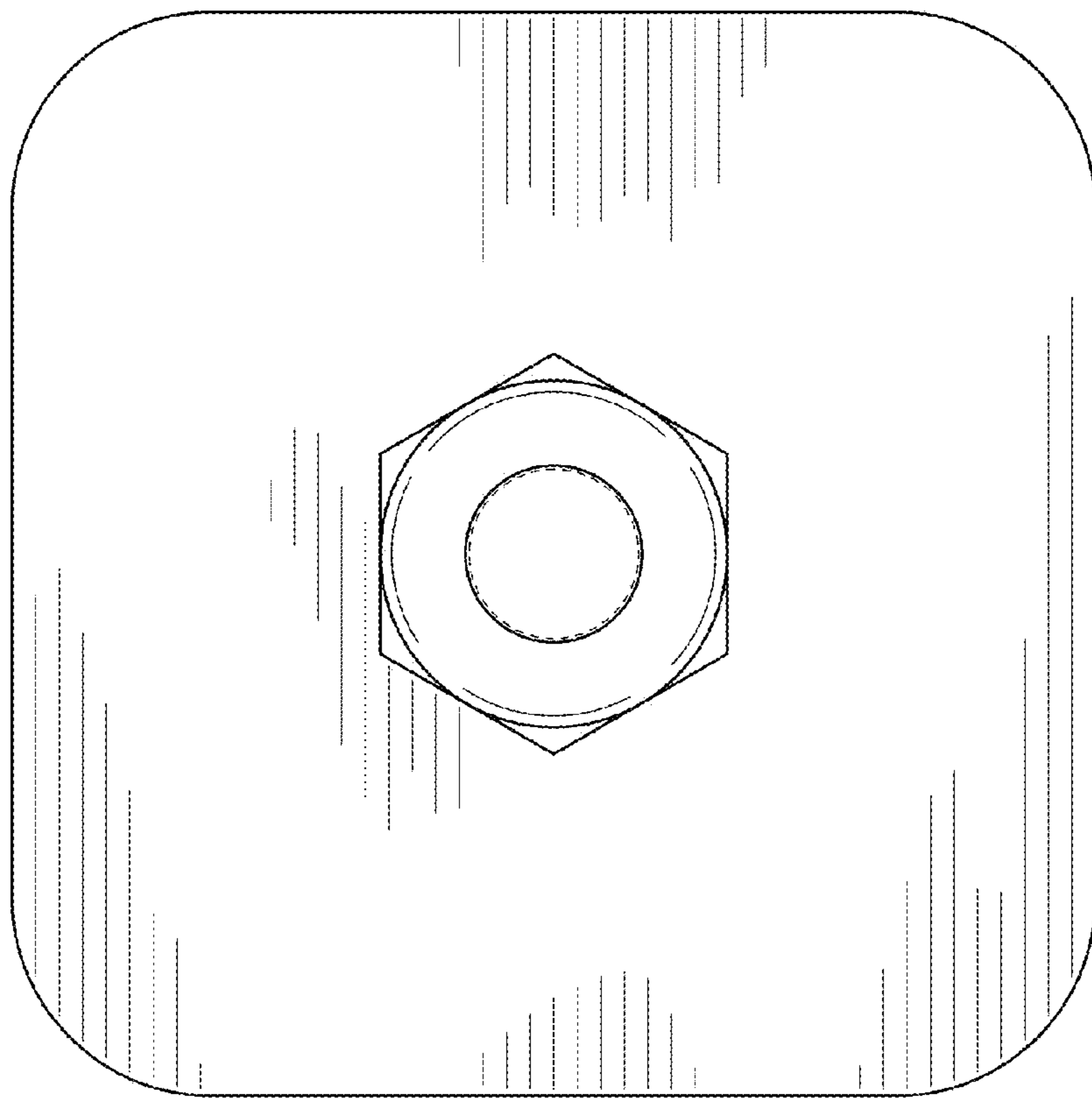


FIG. 2

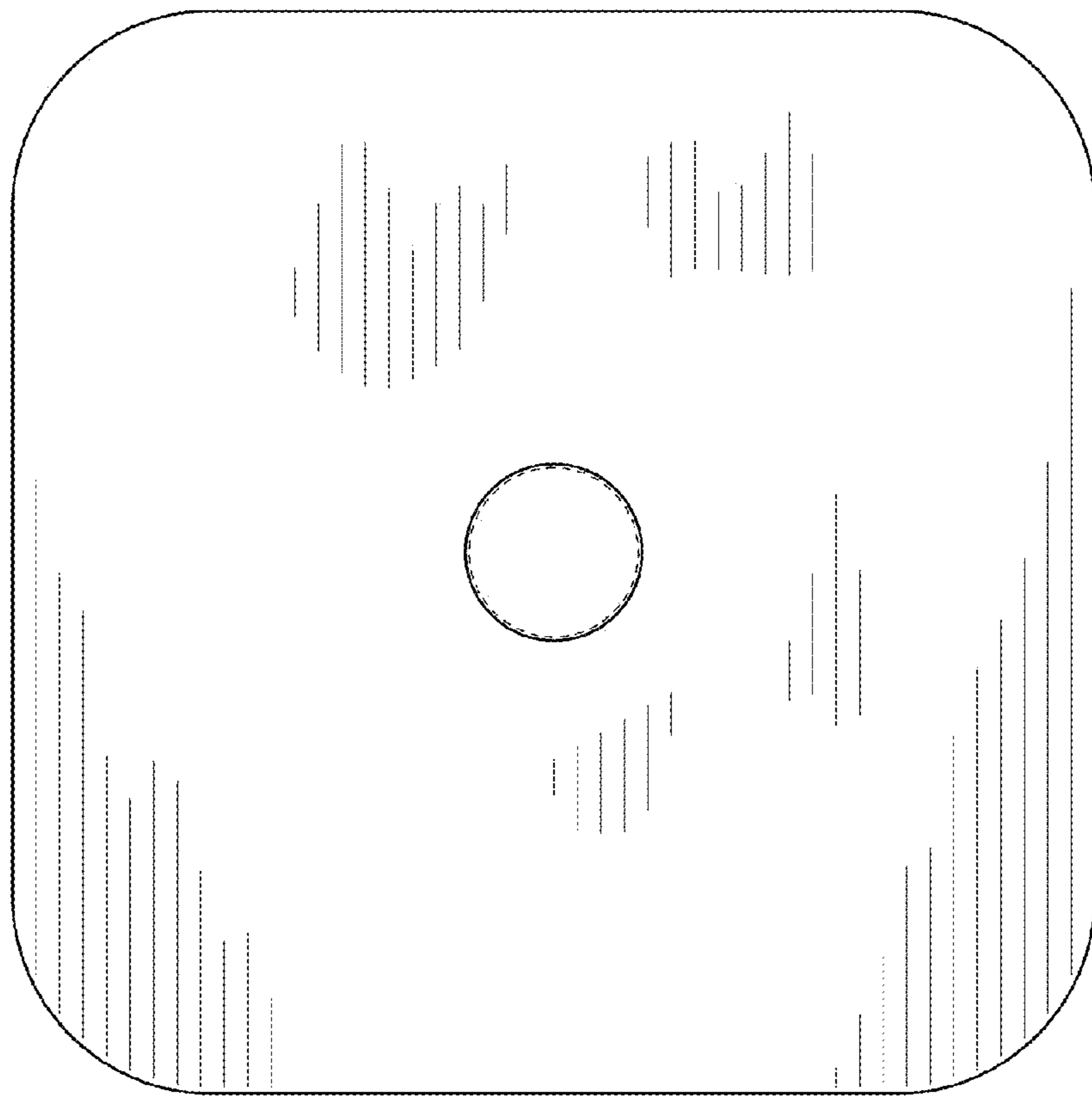


FIG. 3

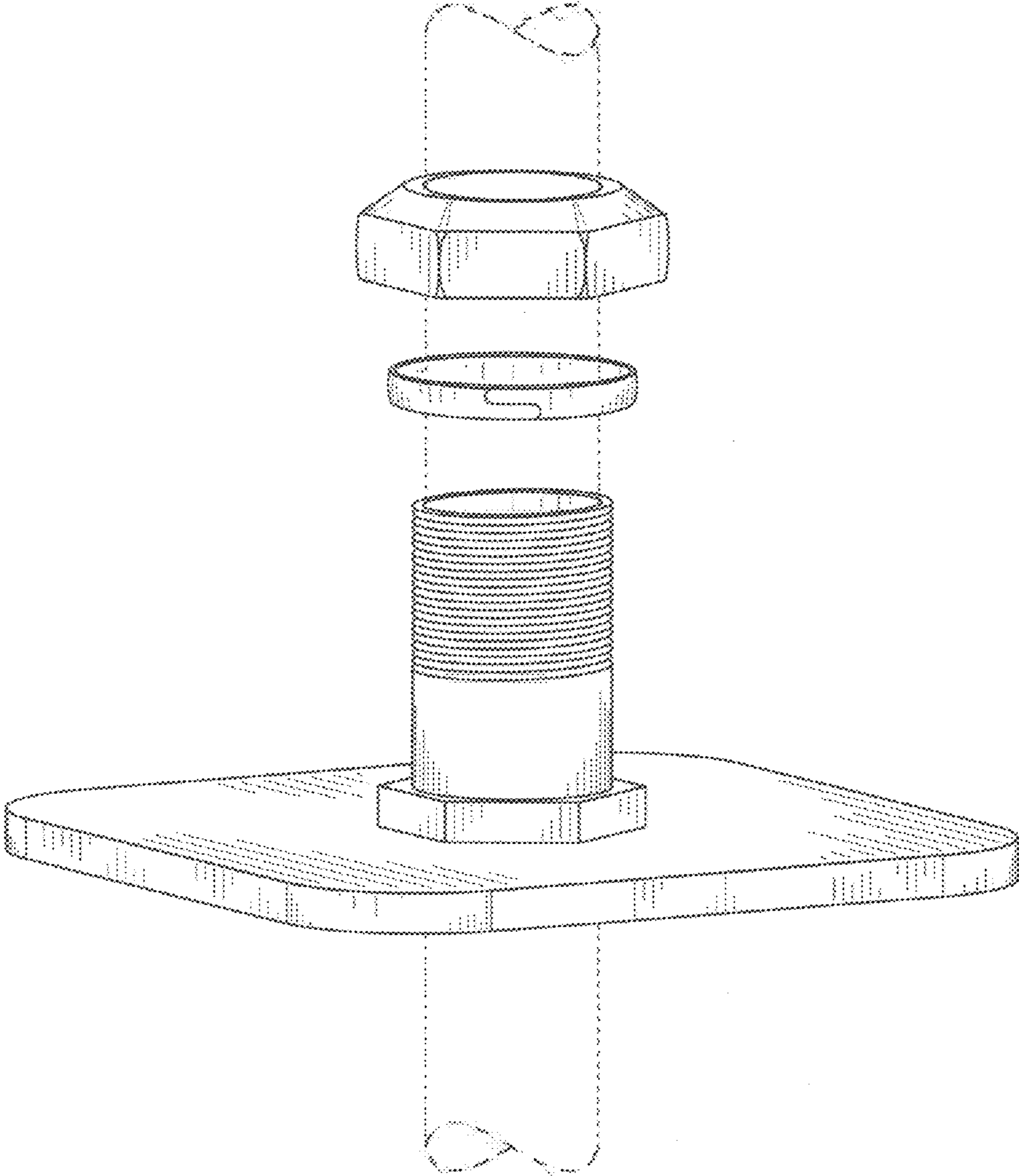


FIG. 4