



US00D738704S

(12) **United States Design Patent**  
**Watson et al.**

(10) **Patent No.:** **US D738,704 S**  
(45) **Date of Patent:** **\*\* Sep. 15, 2015**

(54) **FASTENING DEVICE**

(75) Inventors: **Brian John Watson**, Edinburgh (GB);  
**Anthony Arthur Wills**, Edinburgh (GB);  
**Philip Mark Hall**, Edinburgh (GB);  
**Richard Nicholas Gore**, Edinburgh  
(GB)

(73) Assignee: **BUTTONFIX LIMITED**, Edinburgh,  
Scotland (GB)

(\*\*) Term: **14 Years**

(21) Appl. No.: **29/422,991**

(22) Filed: **May 25, 2012**

(30) **Foreign Application Priority Data**

Nov. 25, 2011 (EM) ..... 001953662

(51) **LOC (10) Cl.** ..... **08-05**

(52) **U.S. Cl.**  
USPC ..... **D8/349**

(58) **Field of Classification Search**  
USPC ..... D8/349, 350, 353, 354, 355, 356, 359,  
D8/366, 367, 373, 374, 394; 24/163 R,  
24/169-171, 173, 177-179, 191, 194-195,  
24/197, 200, 614-616, 625; 248/56, 58,  
248/61, 62, 63, 65, 74.1, 74.2, 74.4, 200,  
248/220.21; D11/200, 201, 206-210,  
D11/214-218; D13/132, 133, 154; 439/92,  
439/97, 108  
See application file for complete search history.

(56) **References Cited**

**U.S. PATENT DOCUMENTS**

D16,980 S \* 11/1886 Kuhn ..... D8/360  
2,905,743 A \* 9/1959 Sylvester ..... 174/73.1  
D239,592 S \* 4/1976 Anderson ..... D8/354  
4,079,916 A \* 3/1978 Einhorn et al. .... 254/390  
D298,604 S \* 11/1988 Newton ..... D8/380  
D299,022 S \* 12/1988 King et al. .... D13/132

D329,193 S \* 9/1992 Togami et al. .... D8/354  
D348,827 S \* 7/1994 Berti et al. .... D8/382  
5,370,345 A \* 12/1994 Condon ..... 248/65  
D371,861 S \* 7/1996 Stamm ..... D26/140  
D372,662 S \* 8/1996 Atkinson ..... D8/354  
5,928,006 A \* 7/1999 Franks, Jr. .... 439/92  
D420,566 S \* 2/2000 Ely et al. .... D8/354  
D427,504 S \* 7/2000 Dziedzic ..... D8/356  
D459,306 S \* 6/2002 Malin ..... D13/133  
D479,117 S \* 9/2003 Mercier ..... D8/354  
D486,791 S \* 2/2004 Franks, Jr. .... D13/133  
D508,676 S \* 8/2005 Franks, Jr. .... D13/133  
D512,376 S \* 12/2005 Franks, Jr. .... D13/133  
7,198,495 B1 \* 4/2007 Youtsey ..... 439/97  
D544,784 S \* 6/2007 Antonic ..... D8/354  
D549,556 S \* 8/2007 Christie ..... D8/354  
D588,440 S \* 3/2009 Antonic ..... D8/354  
D611,327 S \* 3/2010 Chawgo ..... D8/356  
7,731,512 B1 \* 6/2010 Montena et al. .... 439/108

\* cited by examiner

*Primary Examiner* — Eric Goodman

*Assistant Examiner* — Bao-Yen Nguyen

(74) *Attorney, Agent, or Firm* — Lucas & Mercanti, LLP

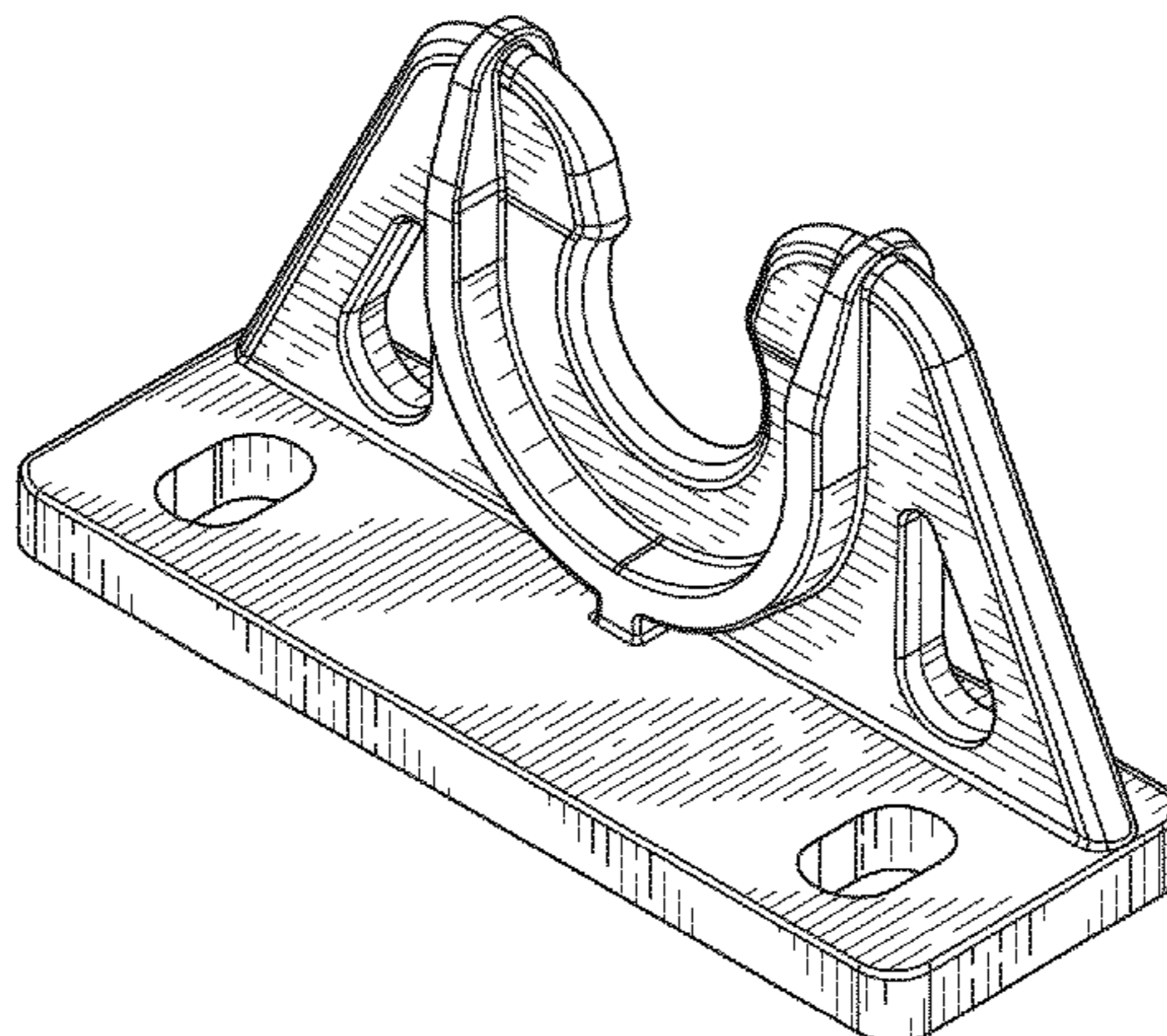
(57) **CLAIM**

The ornamental design for a fastening device, shown and described.

**DESCRIPTION**

FIG. 1 is a top plan view of the fastening device showing our new design;  
FIG. 2 is a right side view thereof;  
FIG. 3 is a front view thereof;  
FIG. 4 is a left side view thereof;  
FIG. 5 is a rear view thereof;  
FIG. 6 is a bottom view thereof;  
FIG. 7 is a top front perspective view thereof; and,  
FIG. 8 is a top perspective view thereof showing the fastening device in a position of use.  
The broken lines shown in the figures represent environmental subject matter that forms no part of the claimed design.

**1 Claim, 3 Drawing Sheets**



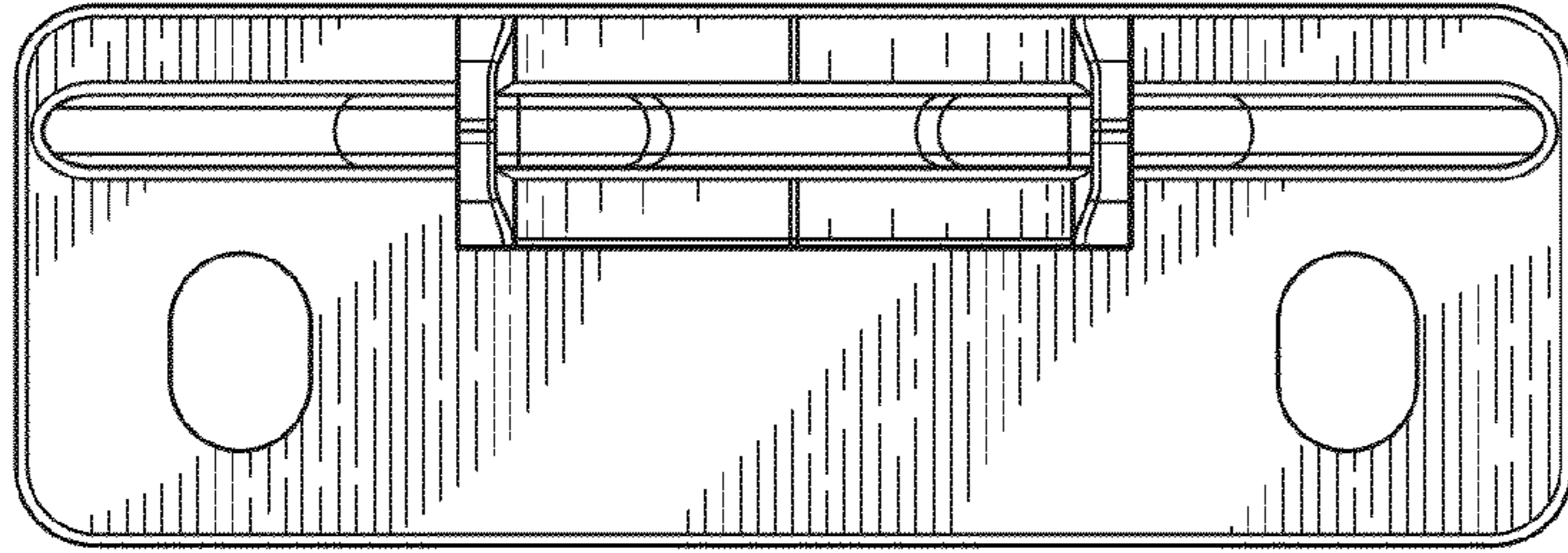


FIG. 1

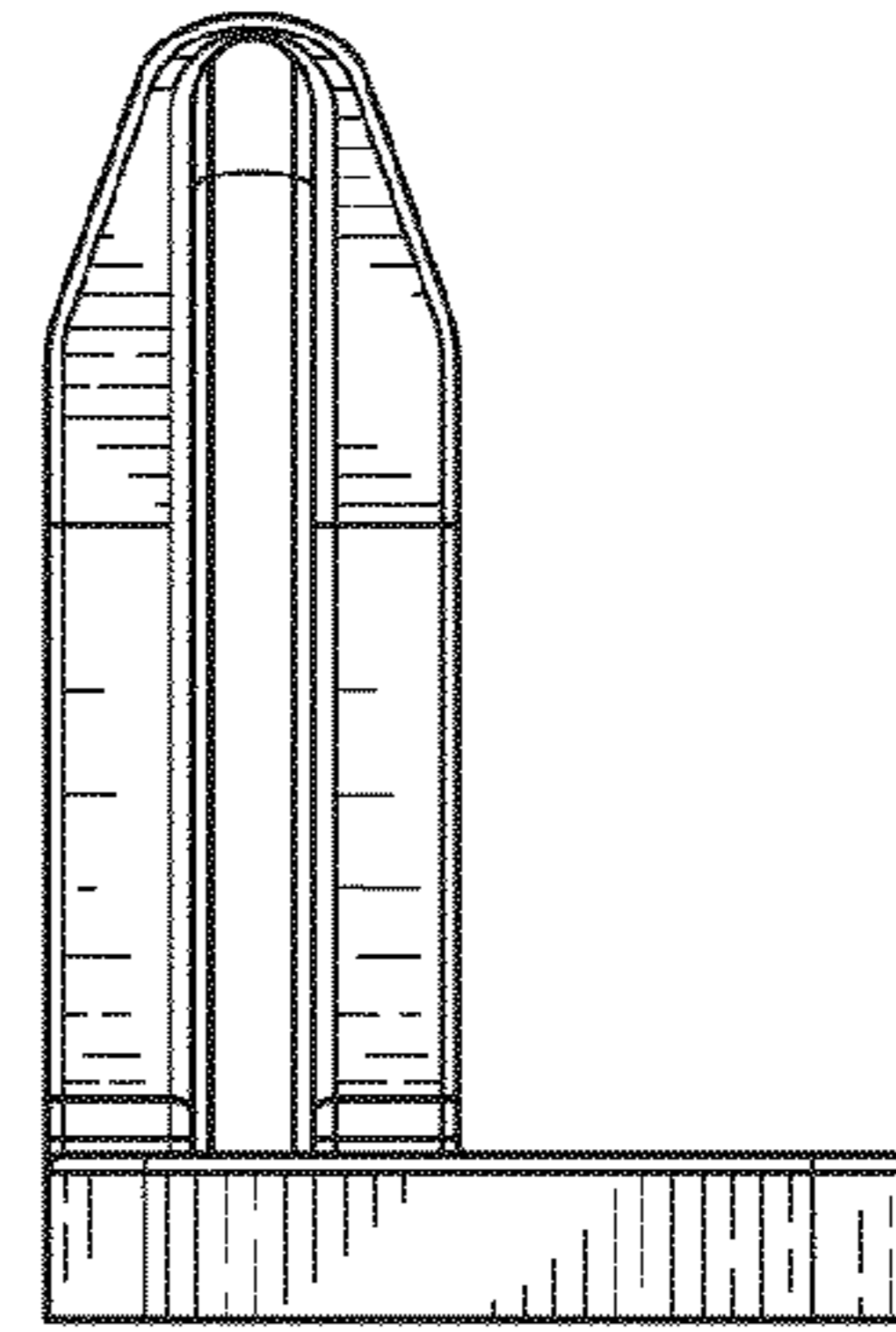


FIG. 2

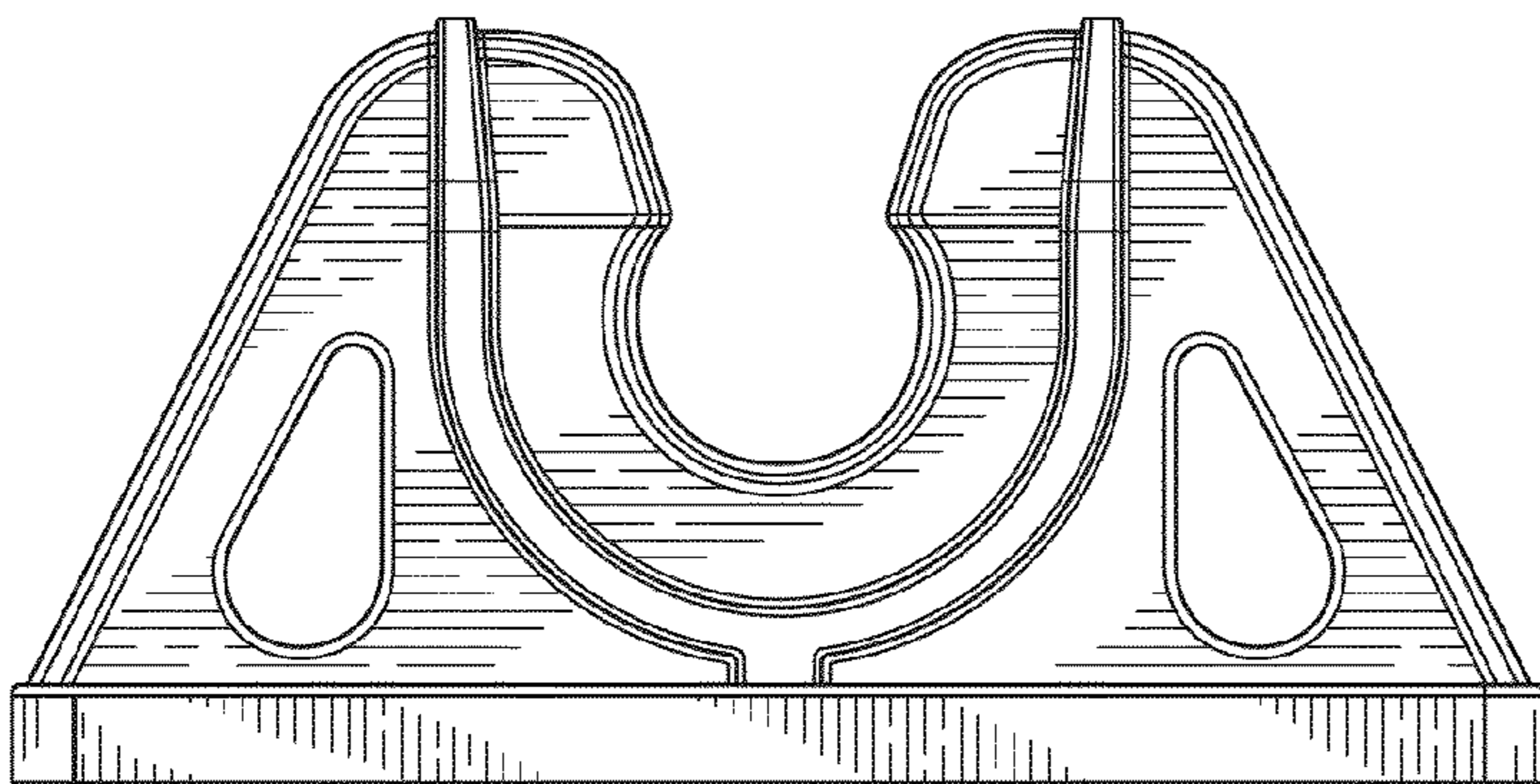


FIG. 3

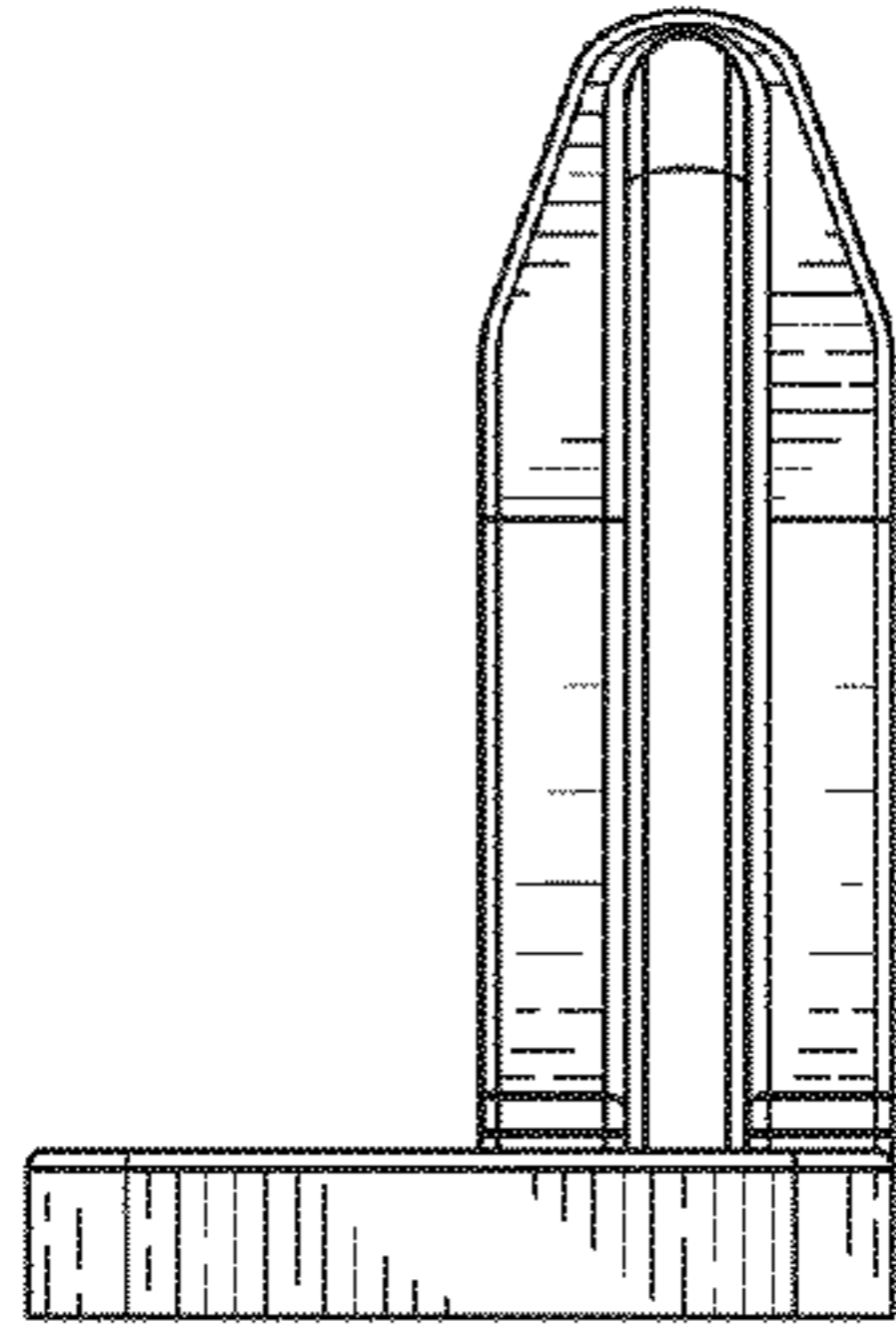


FIG. 4

FIG. 5

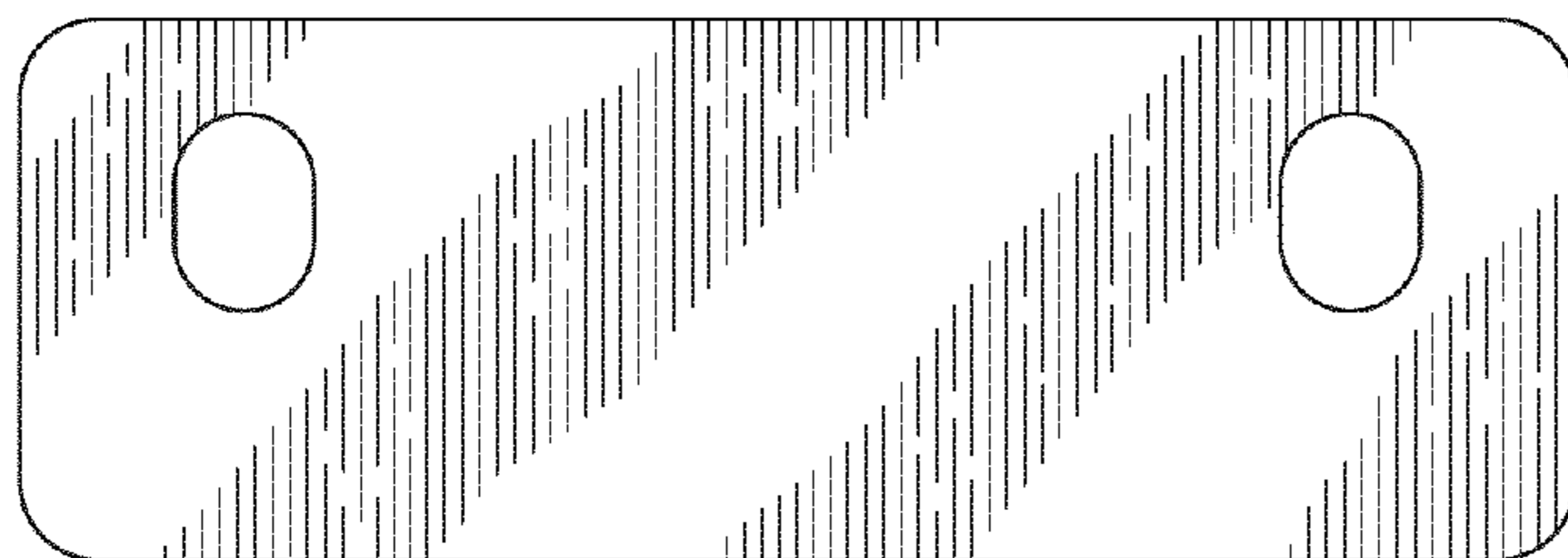
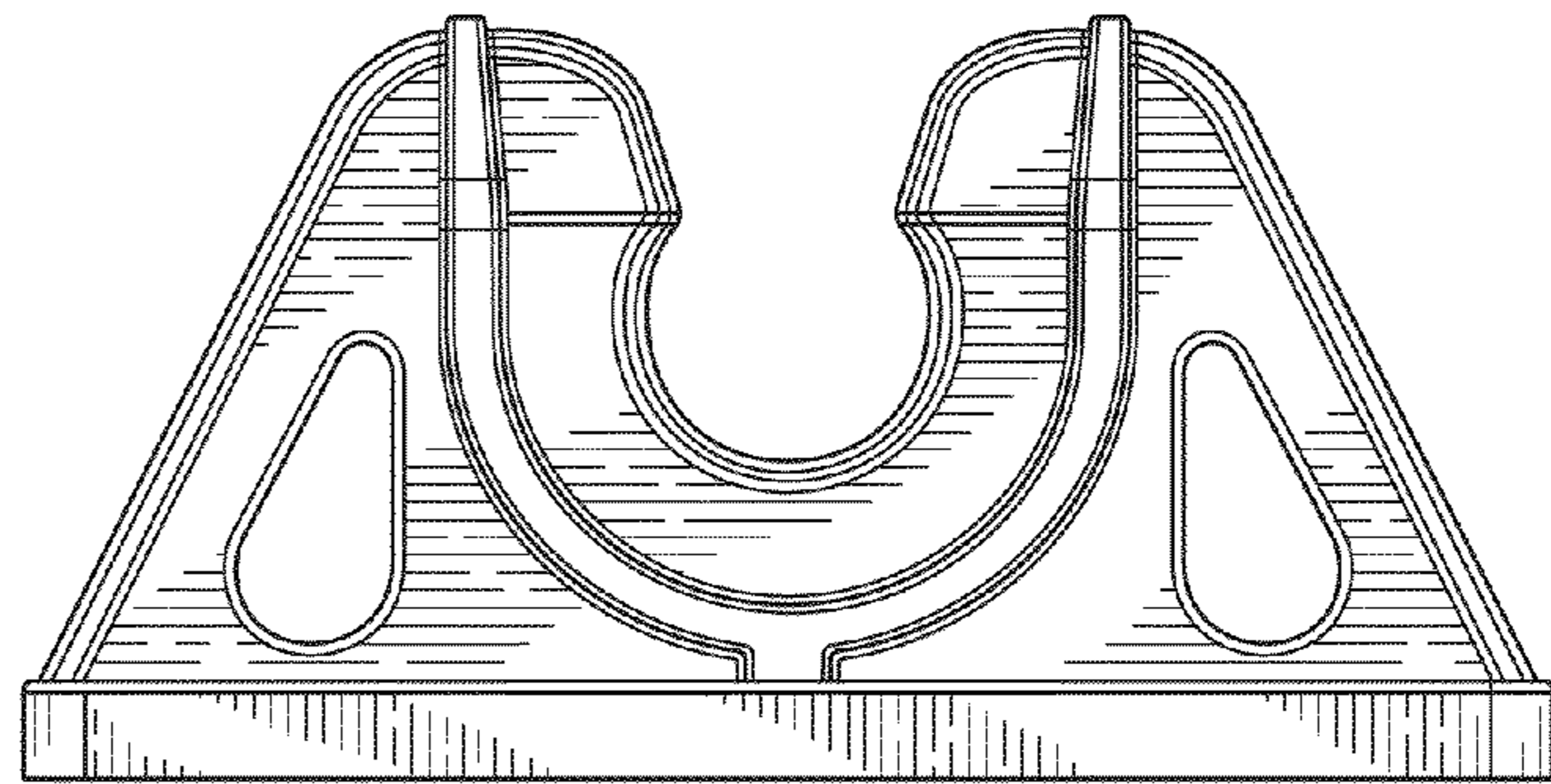


FIG. 6

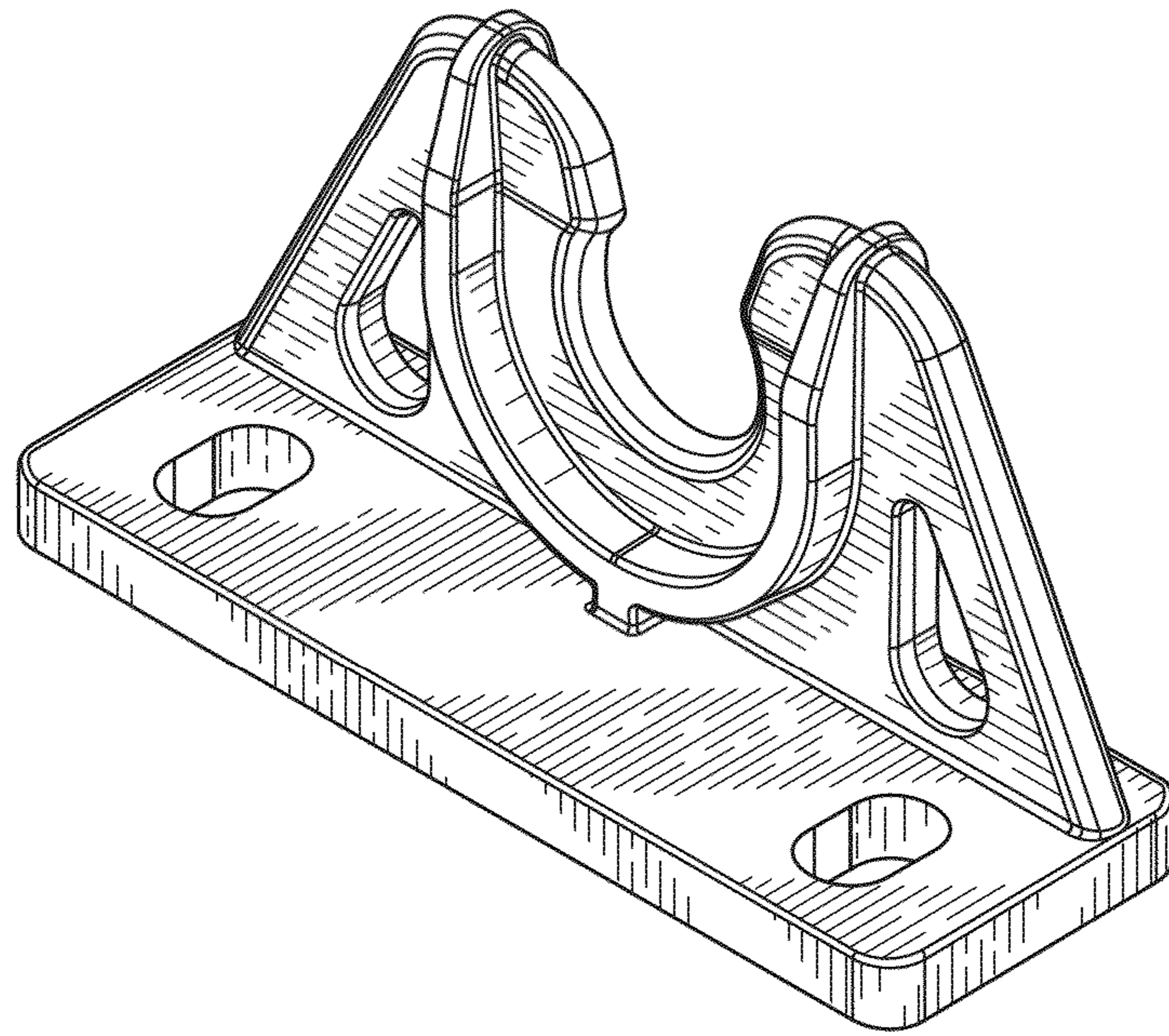


FIG. 7

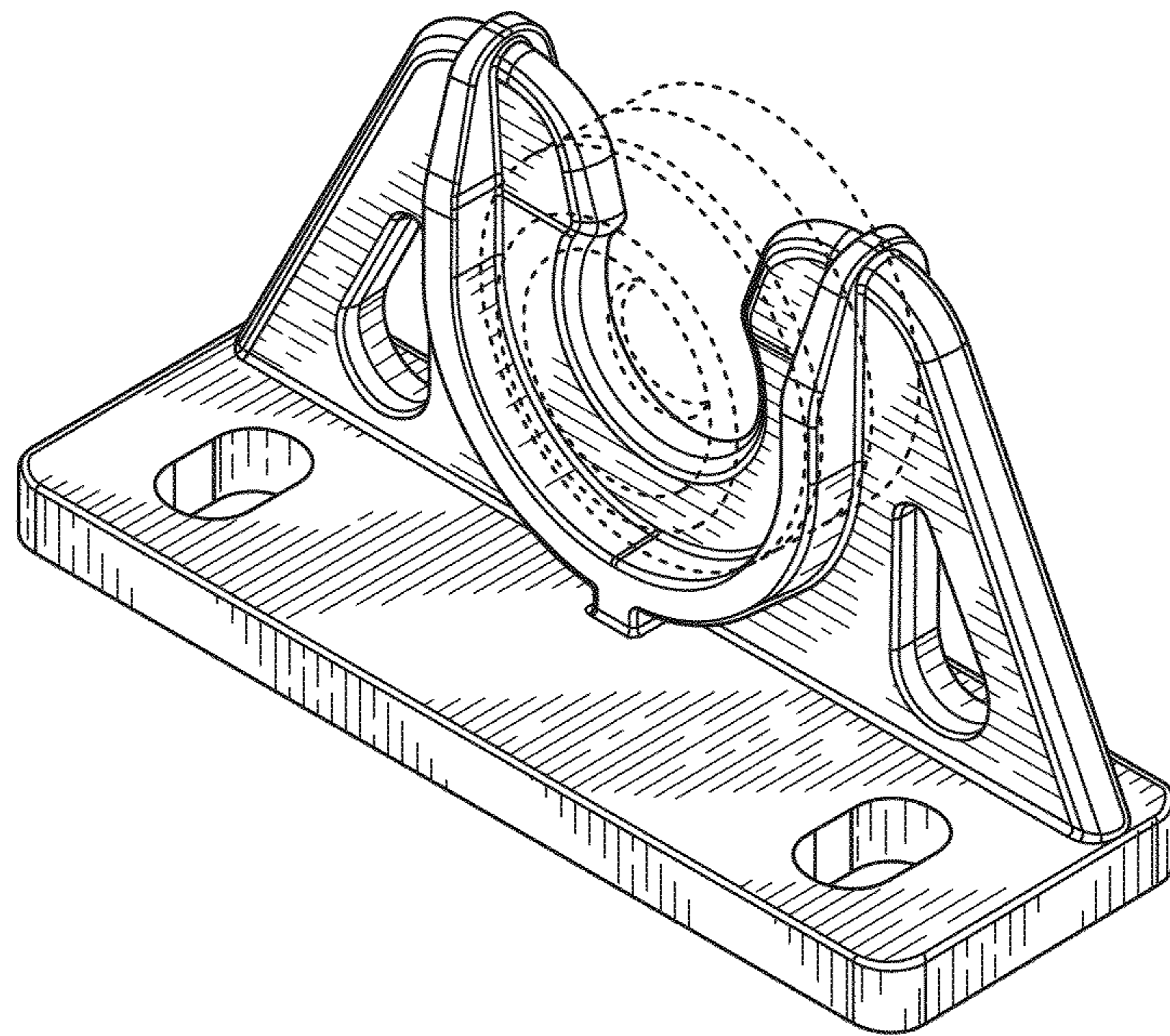


FIG. 8