

US00D738702S

(12) **United States Design Patent**  
**Linares**

(10) **Patent No.:** **US D738,702 S**  
(45) **Date of Patent:** **\*\* Sep. 15, 2015**

(54) **LATCH ASSEMBLY FOR DOOR LOCK**  
(71) Applicant: **ApexOEM, Inc.**, Fullerton, CA (US)  
(72) Inventor: **Rodolfo Linares**, Whittier, CA (US)  
(73) Assignee: **ApexOEM, Inc.**, Fullerton, CA (US)  
(\*\*) Term: **14 Years**

5,934,716 A *	8/1999	Koveal et al.	292/175
5,984,383 A *	11/1999	Parikh et al.	292/121
D427,882 S *	7/2000	Wytcherley et al.	D8/331
D484,025 S *	12/2003	Chen	D8/331
D536,949 S *	2/2007	Weinerman et al.	D8/331
D545,667 S *	7/2007	Weinerman et al.	D8/331
D576,017 S *	9/2008	Hatton	D8/331
D590,694 S *	4/2009	Stuckey	D8/331
D624,803 S *	10/2010	Frankham et al.	D8/331
D722,860 S *	2/2015	Linares	D8/331

\* cited by examiner

(21) Appl. No.: **29/493,057**

(22) Filed: **Jun. 5, 2014**

(51) **LOC (10) Cl.** ..... **08-07**

(52) **U.S. Cl.**  
USPC ..... **D8/331**

(58) **Field of Classification Search**  
USPC ..... D8/330, 331, 335, 339, 302, 343;  
70/141, 208; 292/336.3, 169, 358, 359,  
292/170, 175, 165, 224, 140-145, 240-242,  
292/DIG. 14, DIG. 30, DIG. 31, DIG. 4  
CPC ..... E05C 1/10; E05C 19/10; E05B 3/00  
See application file for complete search history.

(56) **References Cited**

**U.S. PATENT DOCUMENTS**

4,706,478 A *	11/1987	Swan et al.	70/28
5,127,686 A *	7/1992	Gleason et al.	292/216

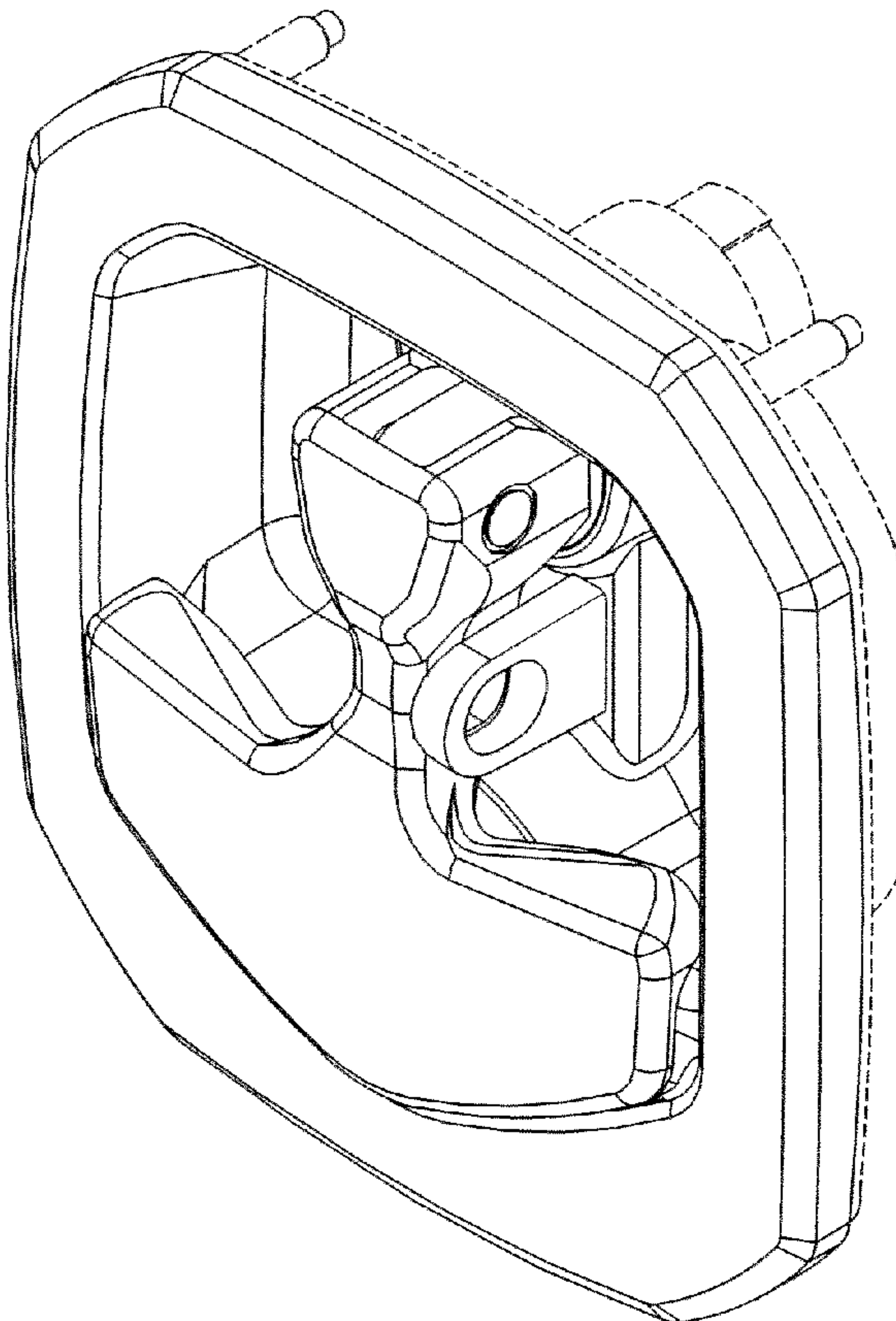
*Primary Examiner* — Prabhakar Deshmukh  
(74) *Attorney, Agent, or Firm* — Raymond Sun

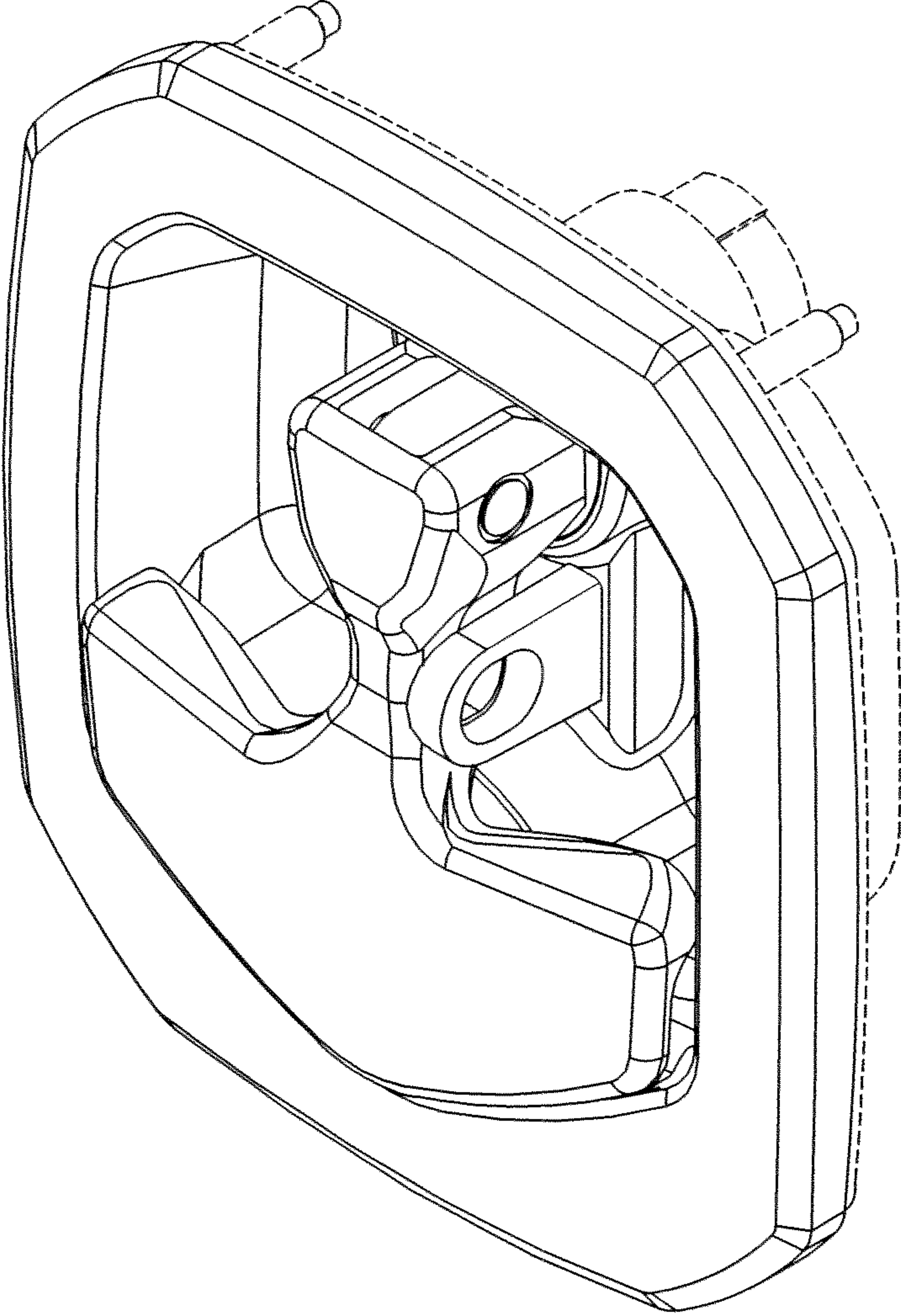
(57) **CLAIM**  
The ornamental design for a “latch assembly for door lock”,  
as shown and described.

**DESCRIPTION**

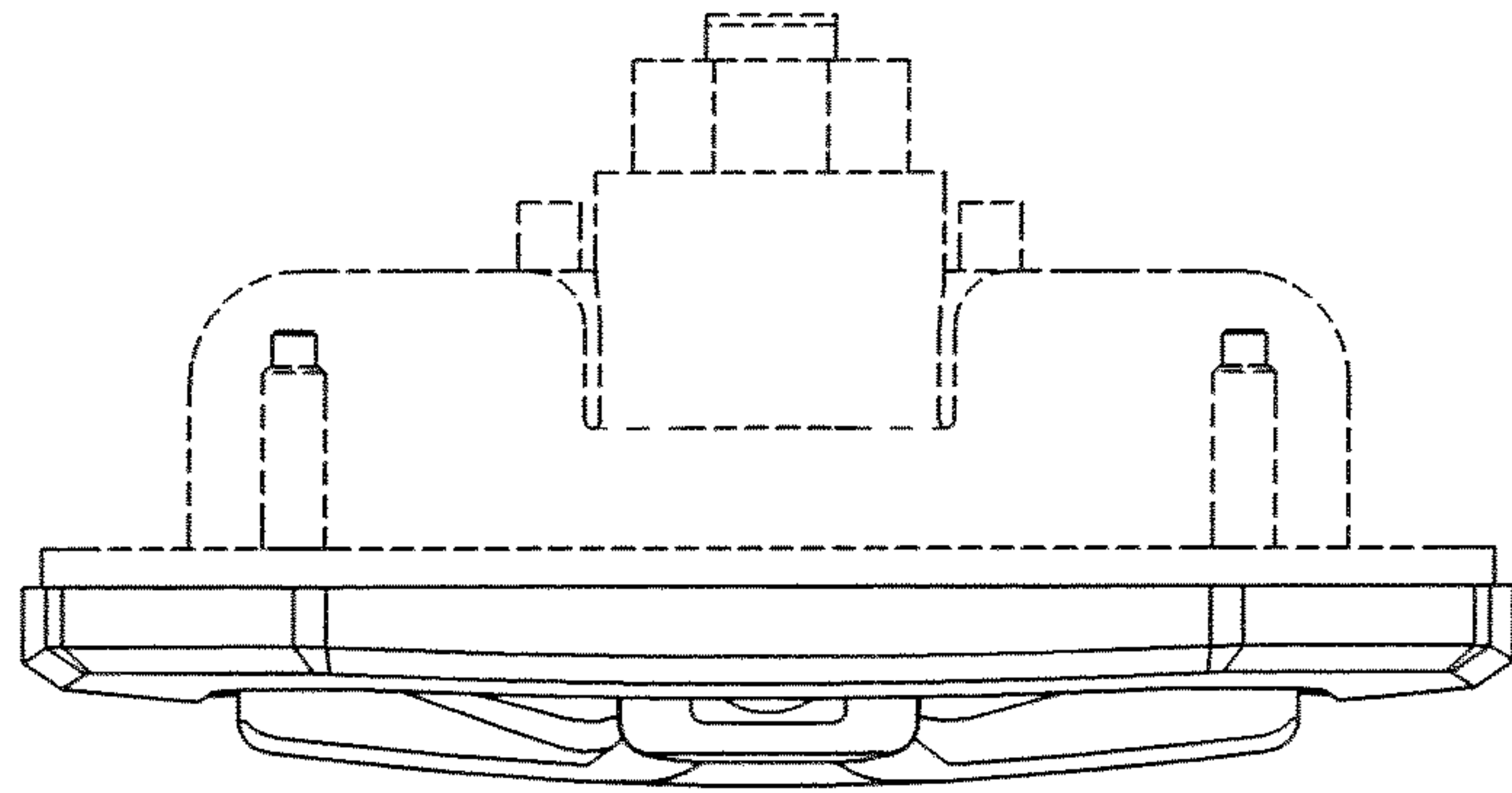
FIG. 1 is a perspective view of a latch assembly for door lock showing my new design;  
FIG. 2 is a top view thereof;  
FIG. 3 is a bottom view thereof;  
FIG. 4 is a front view thereof;  
FIG. 5 is rear view thereof;  
FIG. 6 is a left view thereof; and,  
FIG. 7 is a right view thereof.  
The broken lines illustrate unclaimed portions and form no part of the claimed design.

**1 Claim, 4 Drawing Sheets**

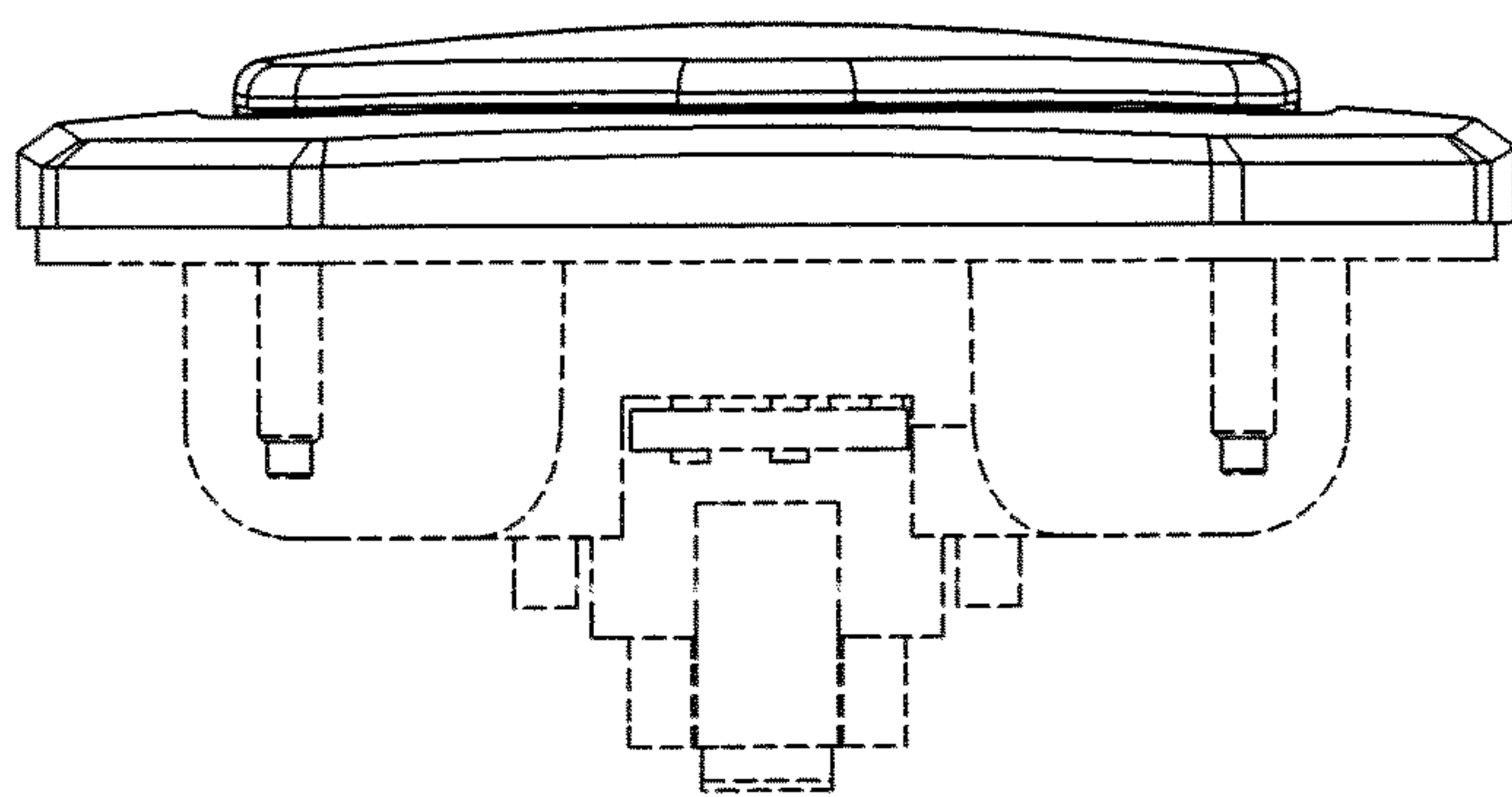




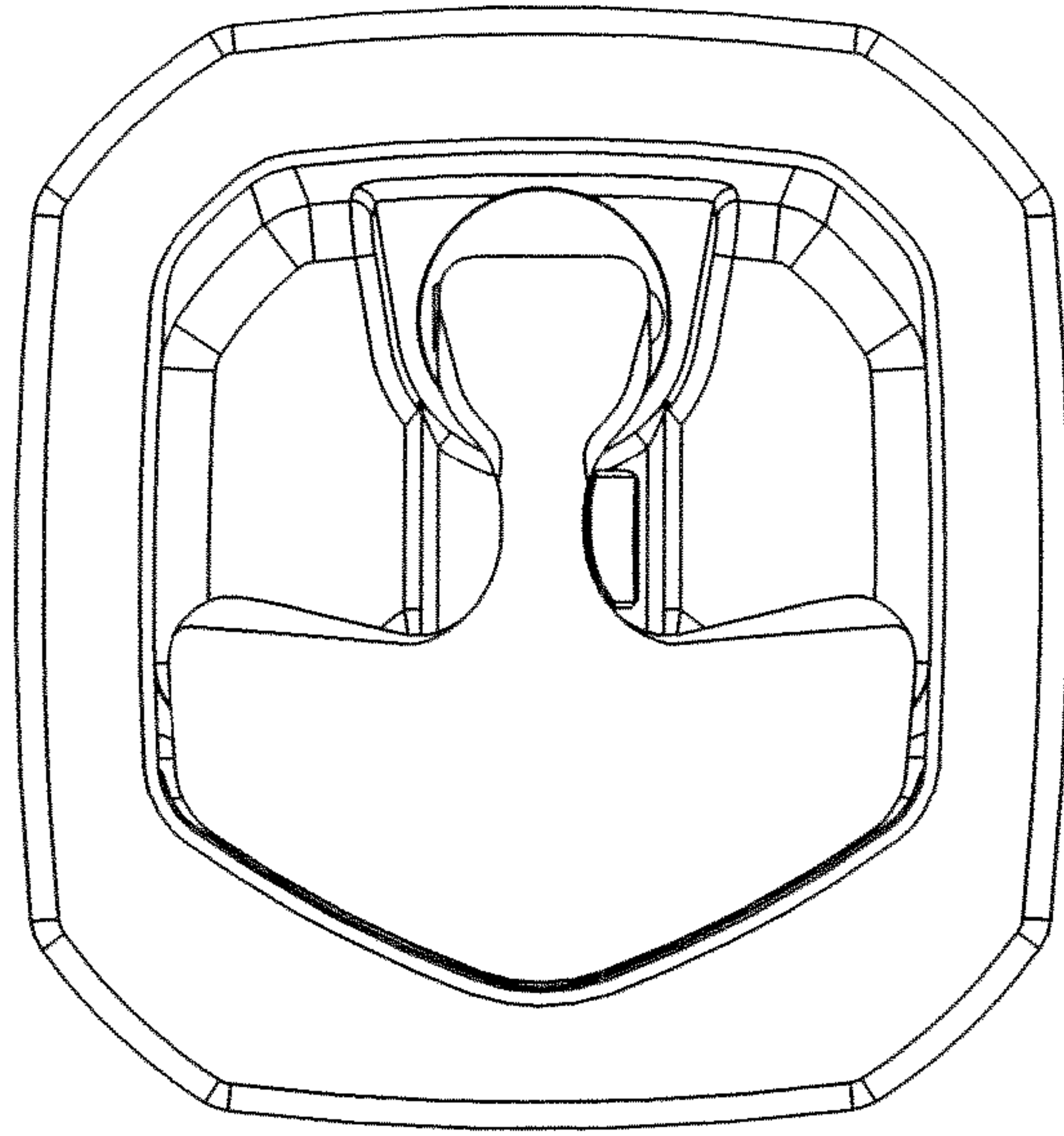
**Fig. 1**



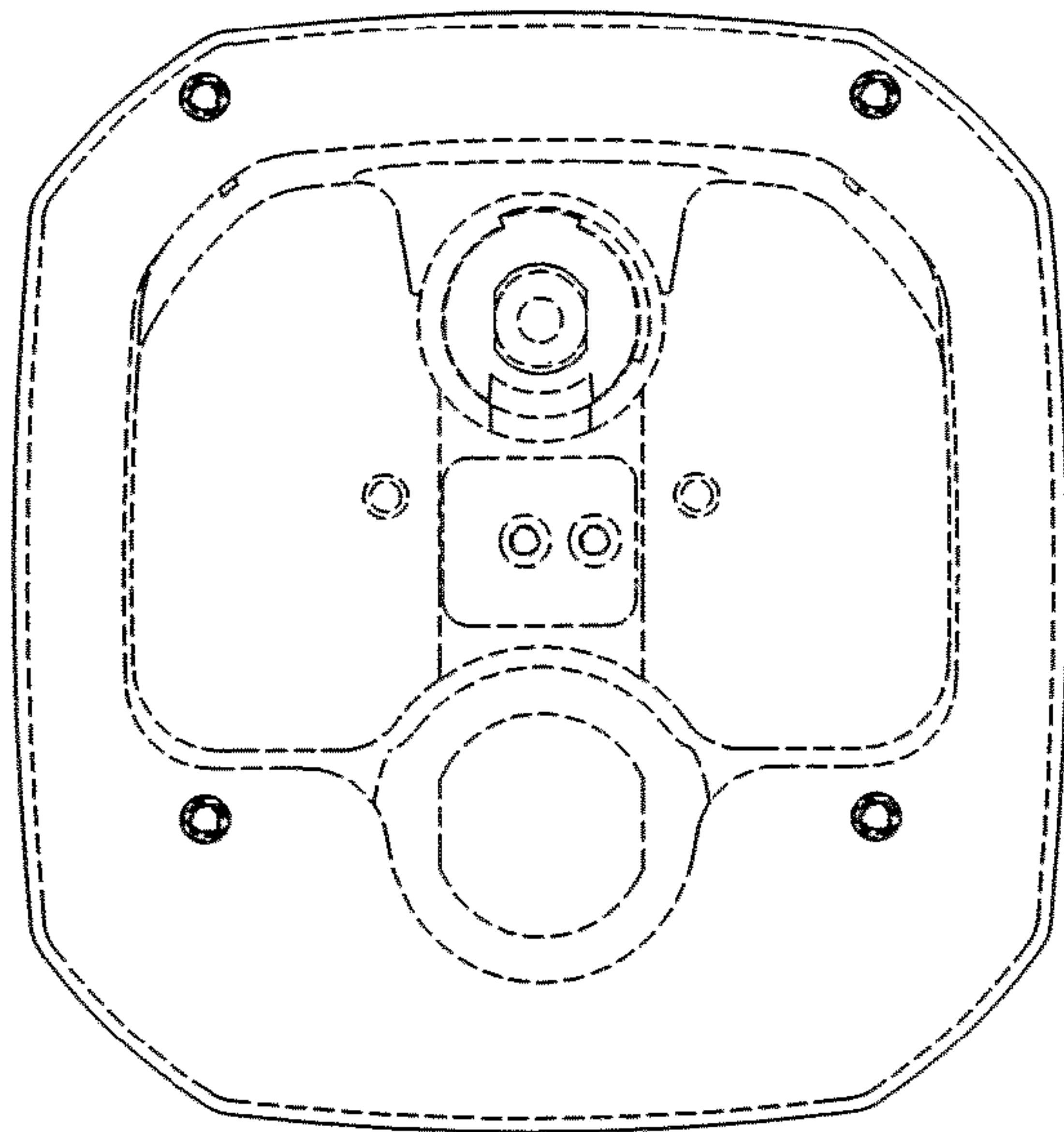
**Fig. 2**



**Fig. 3**

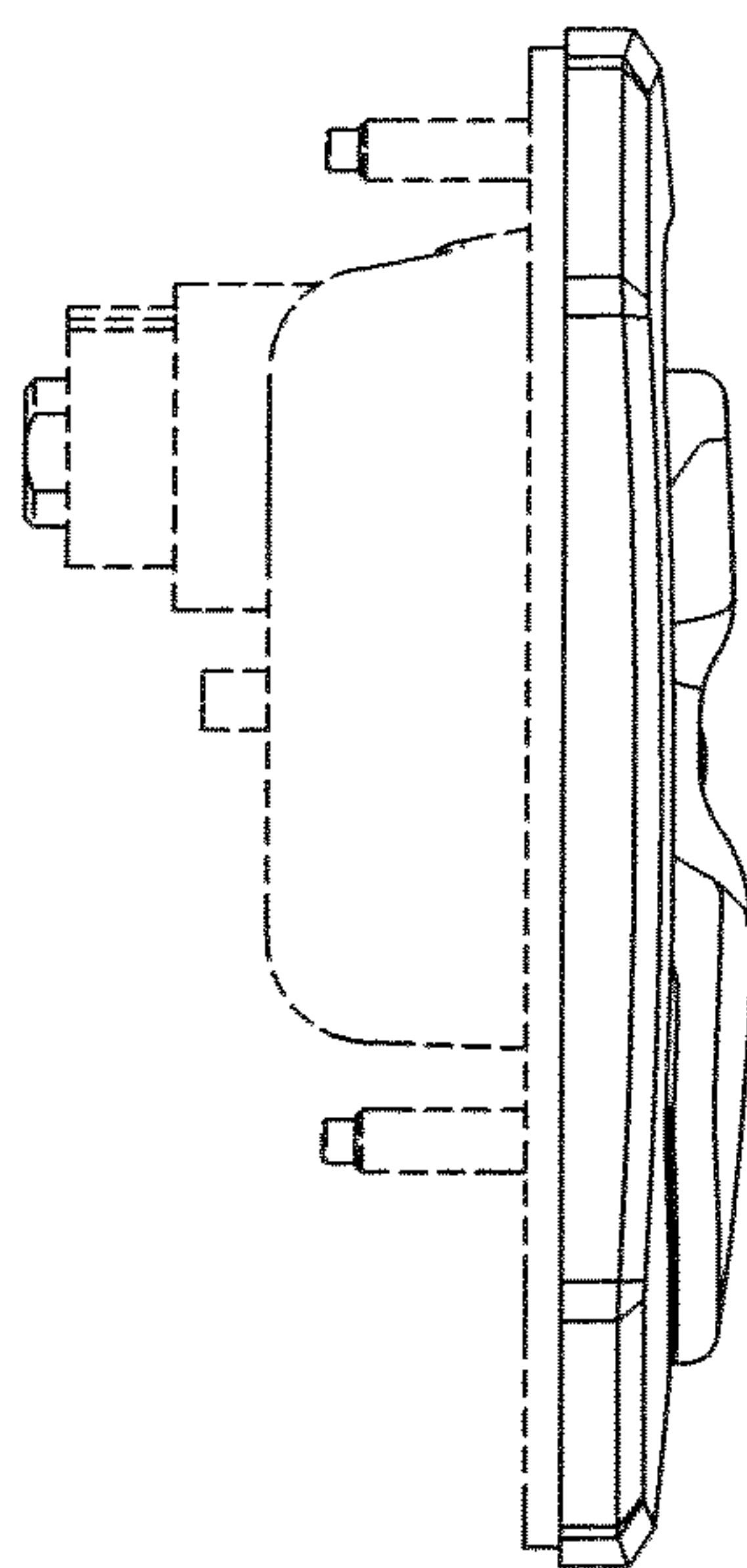


**Fig. 4**

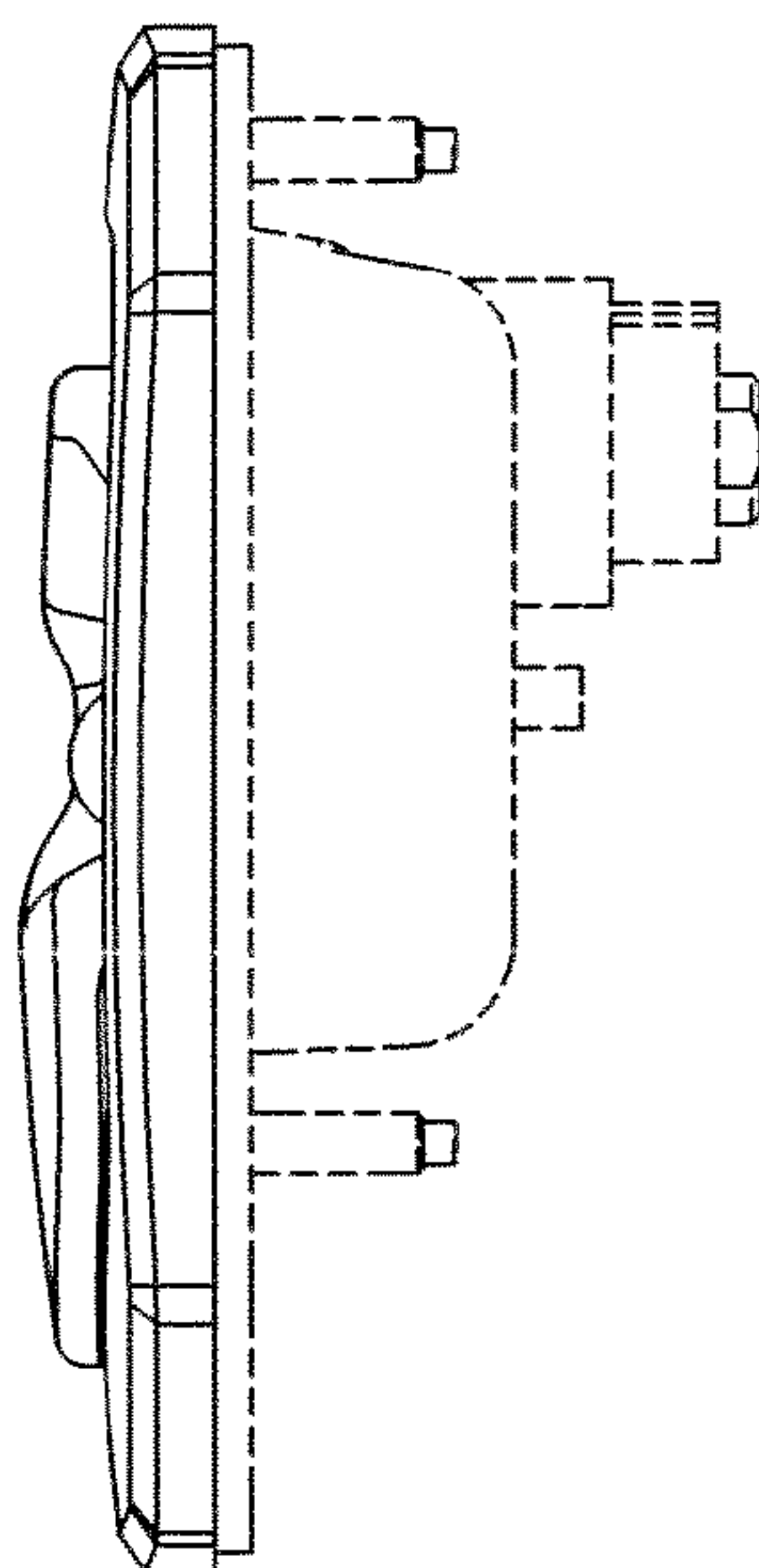


**Fig. 5**





**Fig. 6**



**Fig. 7**