



US00D738701S

(12) **United States Design Patent**
Weinerman et al.

(10) **Patent No.:** **US D738,701 S**
(45) **Date of Patent:** **** Sep. 15, 2015**

- (54) **HOUSING OF A LATCH ASSEMBLY**
- (71) Applicant: **The Eastern Company**, Cleveland, OH (US)
- (72) Inventors: **Lee S. Weinerman**, Medina, OH (US); **Fredrick L. Putzier**, Columbia Station, OH (US)
- (73) Assignee: **The Eastern Company**, Cleveland, OH (US)
- (**) Term: **14 Years**
- (21) Appl. No.: **29/485,218**
- (22) Filed: **Mar. 17, 2014**

6,543,821	B1 *	4/2003	Weinerman et al.	292/123
D475,602	S *	6/2003	McCloskey	D8/331
D506,120	S	6/2005	Straka et al.	
D533,048	S	12/2006	Weinerman et al.	
D537,321	S	2/2007	Paige et al.	
D538,131	S	3/2007	Paige et al.	
D545,667	S	7/2007	Weinerman et al.	
D546,165	S	7/2007	Paige et al.	

(Continued)

OTHER PUBLICATIONS

Eberhard Manufacturing Company, division of The Eastern Company, "Catalog 116", 2011, p. 39.

Primary Examiner — Prabhakar Deshmukh
(74) *Attorney, Agent, or Firm* — Ralph Jocke; Walker & Jocke

Related U.S. Application Data

- (63) Continuation of application No. 29/438,552, filed on Nov. 30, 2012, now Pat. No. Des. 704,526.
- (51) **LOC (10) Cl.** **08-07**
- (52) **U.S. Cl.**
USPC **D8/331**
- (58) **Field of Classification Search**
USPC D8/330, 331, 335, 339, 302, 343; 70/141, 208; 292/336.3, 169, 358, 359, 292/170, 175, 165, 224, 140-145, 240-242, 292/DIG. 14, DIG. 30, DIG. 31, DIG. 4
See application file for complete search history.

(57) **CLAIM**

The ornamental design for a housing of a latch assembly, as shown and described.

DESCRIPTION

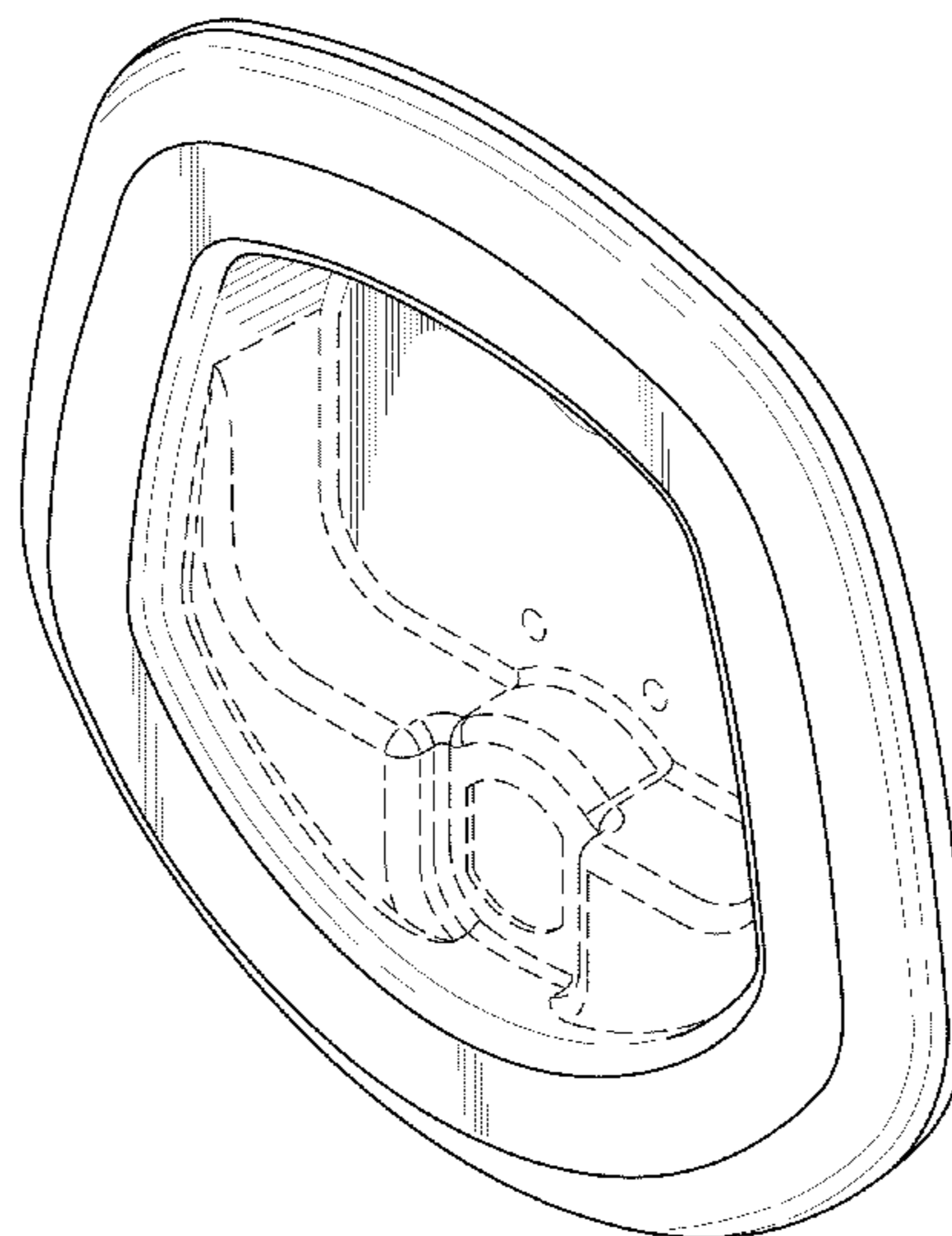
FIG. 1 is a top, front, right side perspective view showing our new design for a housing of a latch assembly.
 FIG. 2 is a front view thereof.
 FIG. 3 is a right side view thereof, the left side thereof being a mirror image.
 FIG. 4 is a top view thereof.
 FIG. 5 is a bottom view thereof.
 FIG. 6 is a top, front perspective view thereof.
 FIG. 7 is a top, front, right side perspective view of a second embodiment thereof.
 FIG. 8 is a front view thereof; and,
 FIG. 9 is a top, front perspective view thereof, the right side, top, and bottom views of the second embodiment being identical to those shown in FIGS. 3, 4 and 5, the left side thereof being a mirror image of FIG. 3.
 The broken lines indicate unclaimed portions and form no part of the claimed design.

(56) **References Cited**

U.S. PATENT DOCUMENTS

4,706,478	A	11/1987	Swan et al.	
D324,636	S *	3/1992	Schlack et al.	D8/331
5,913,908	A *	6/1999	Czipri	70/208
5,984,383	A *	11/1999	Parikh et al.	292/121
D427,882	S	7/2000	Wytcherley et al.	
D429,141	S *	8/2000	Antonucci et al.	D8/331
6,109,669	A	8/2000	Pinkow	
6,406,075	B1	6/2002	Rice et al.	

1 Claim, 7 Drawing Sheets



(56)

References Cited

U.S. PATENT DOCUMENTS

D548,561 S 8/2007 Paige et al.
D567,061 S 4/2008 Paige et al.
7,398,664 B1 7/2008 Weinerman et al.
D578,373 S 10/2008 Paige et al.
7,454,933 B1 11/2008 Paige et al.
D585,468 S 1/2009 Burns

D587,558 S * 3/2009 Sarnowski D8/331
D590,234 S * 4/2009 Wu et al. D8/331
D590,694 S 4/2009 Stuckey
D596,920 S 7/2009 Cotton et al.
7,748,246 B1 7/2010 Paige et al.
D624,800 S 10/2010 Burns
D624,803 S 10/2010 Frankham et al.
D644,911 S 9/2011 Le
D678,750 S 3/2013 Tung

* cited by examiner

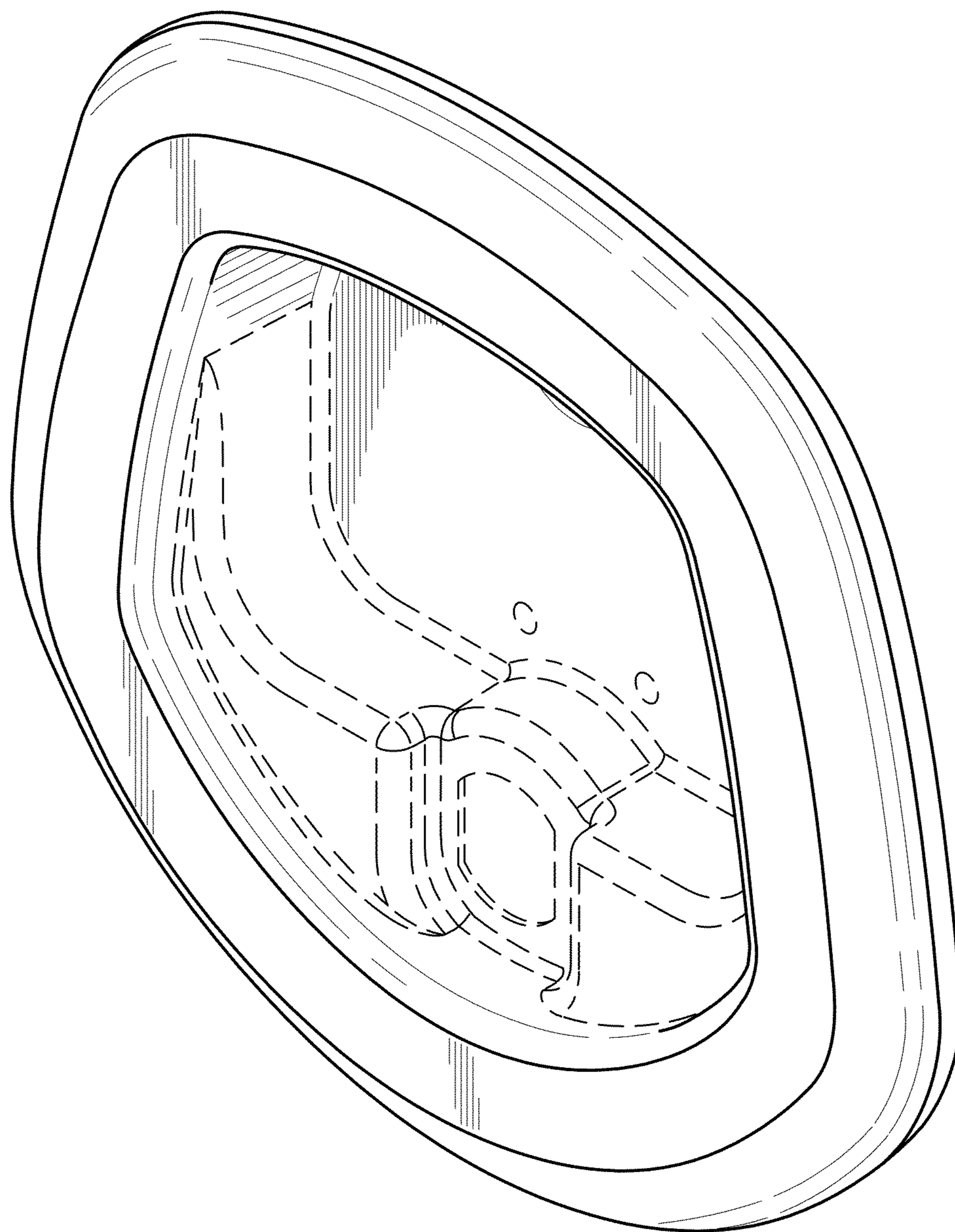


FIG. 1

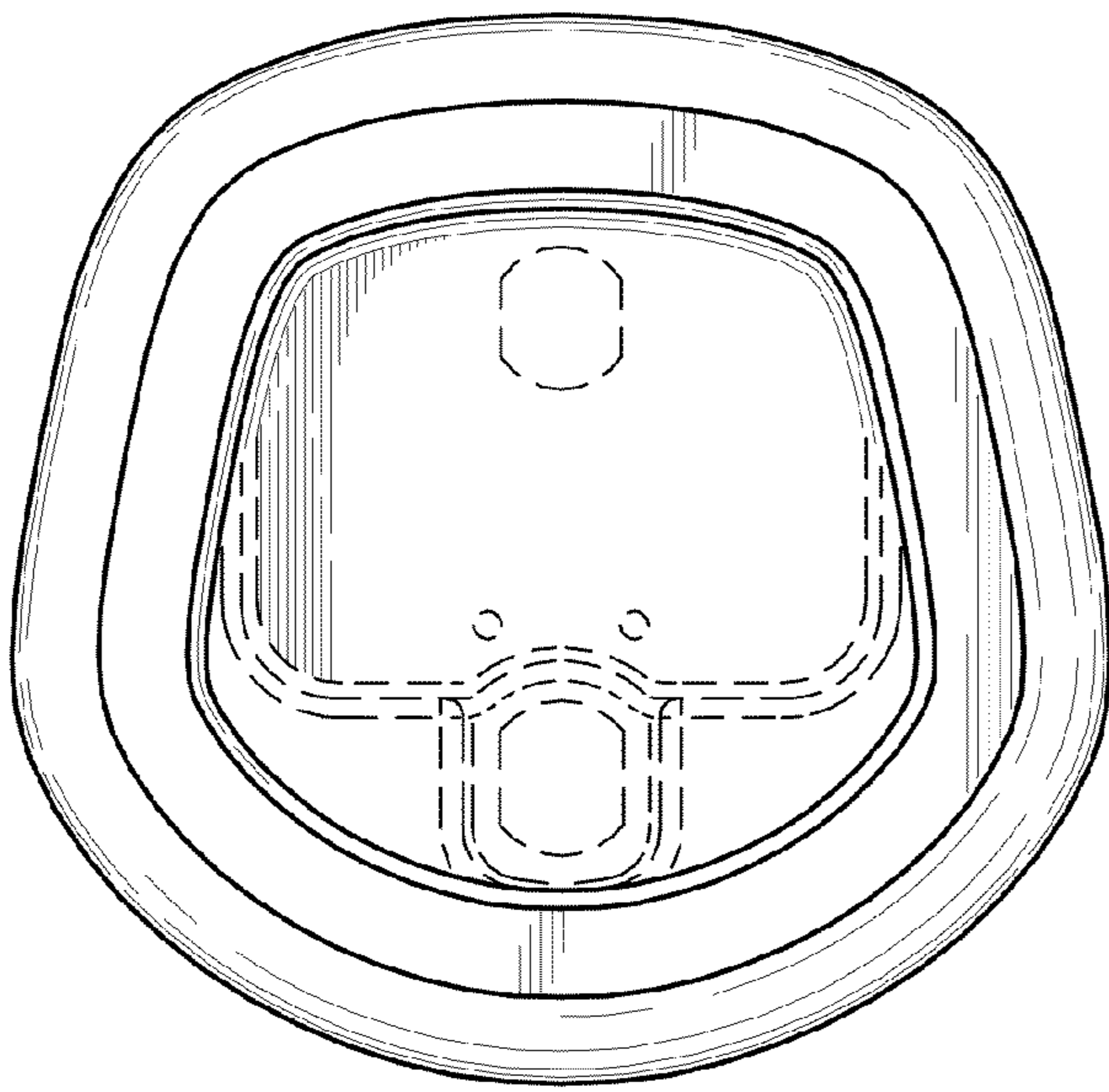


FIG. 2

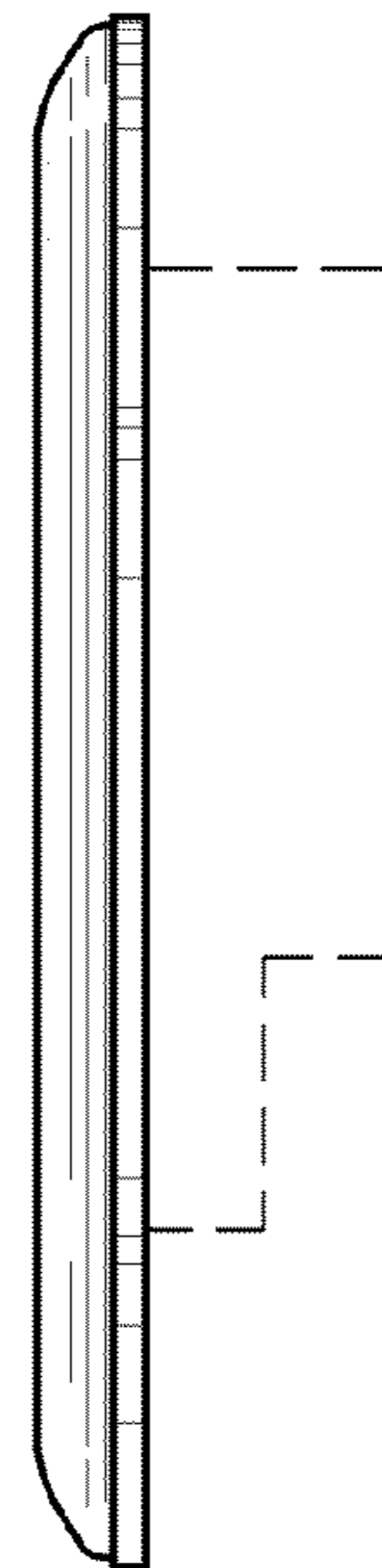


FIG. 3

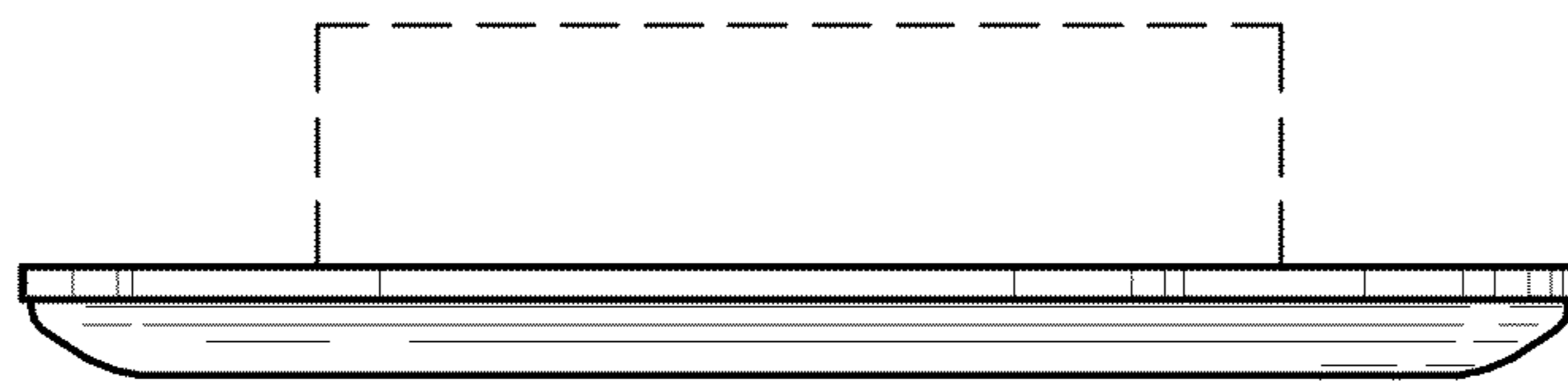


FIG. 4

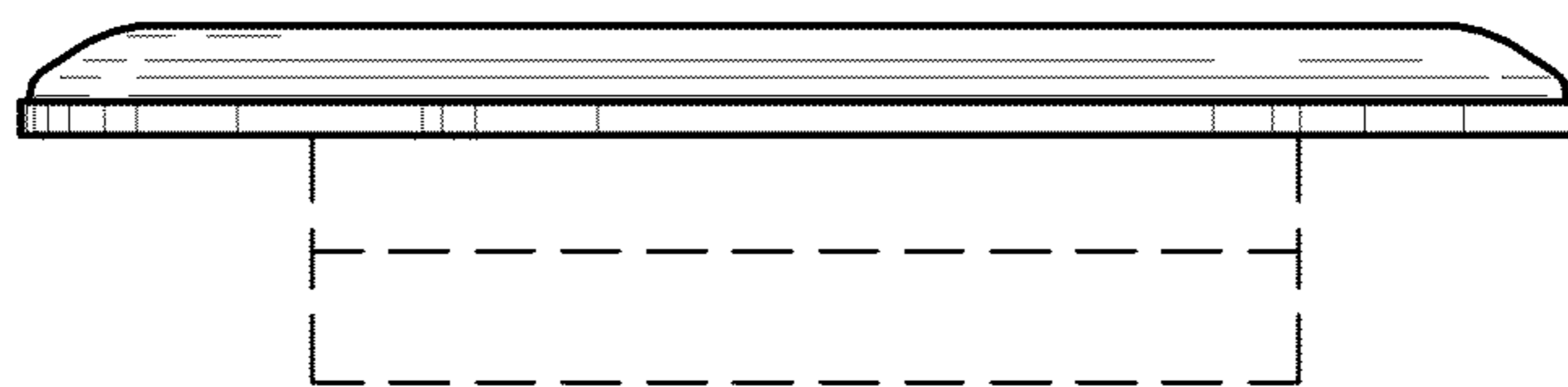


FIG. 5

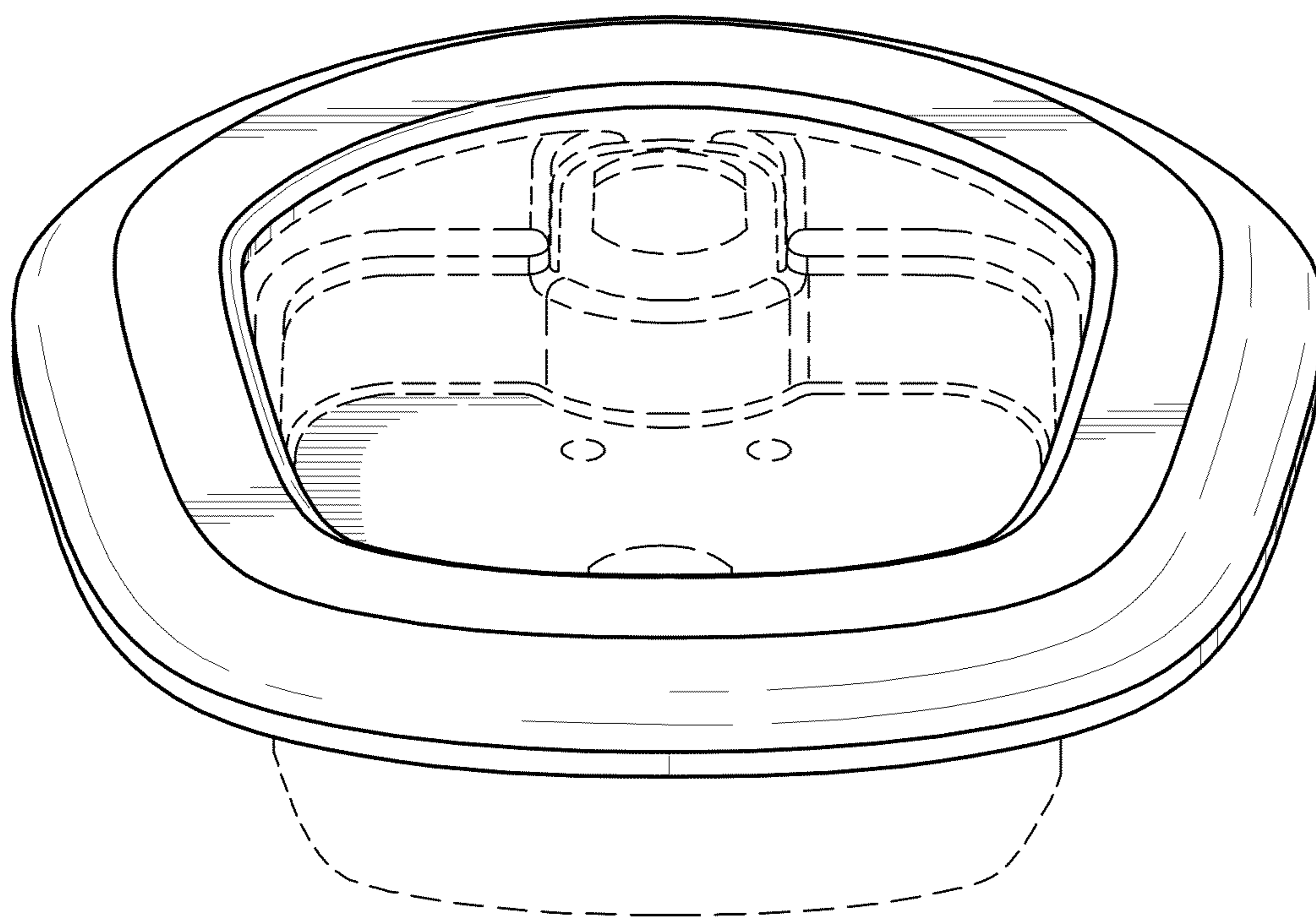


FIG. 6

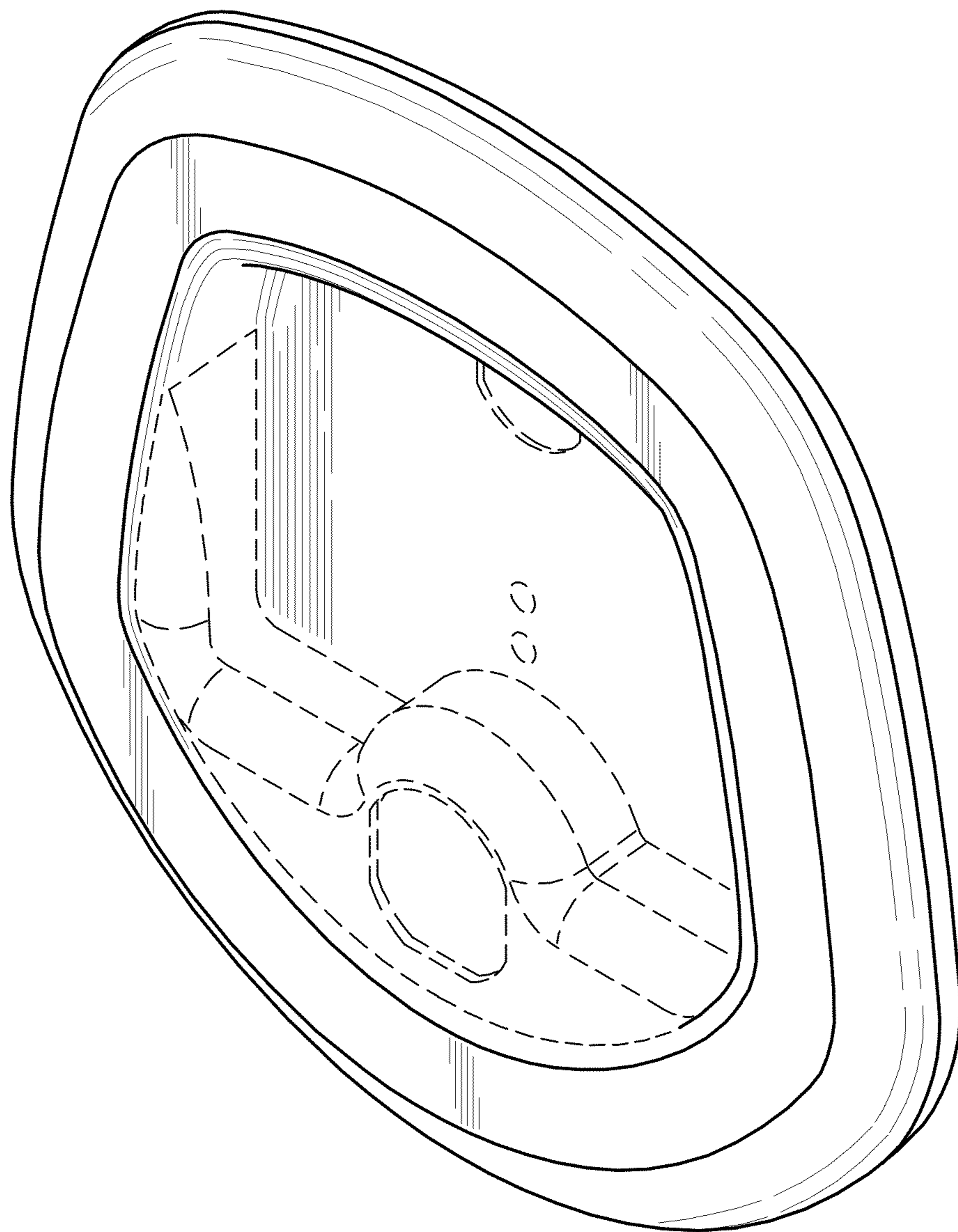


FIG. 7

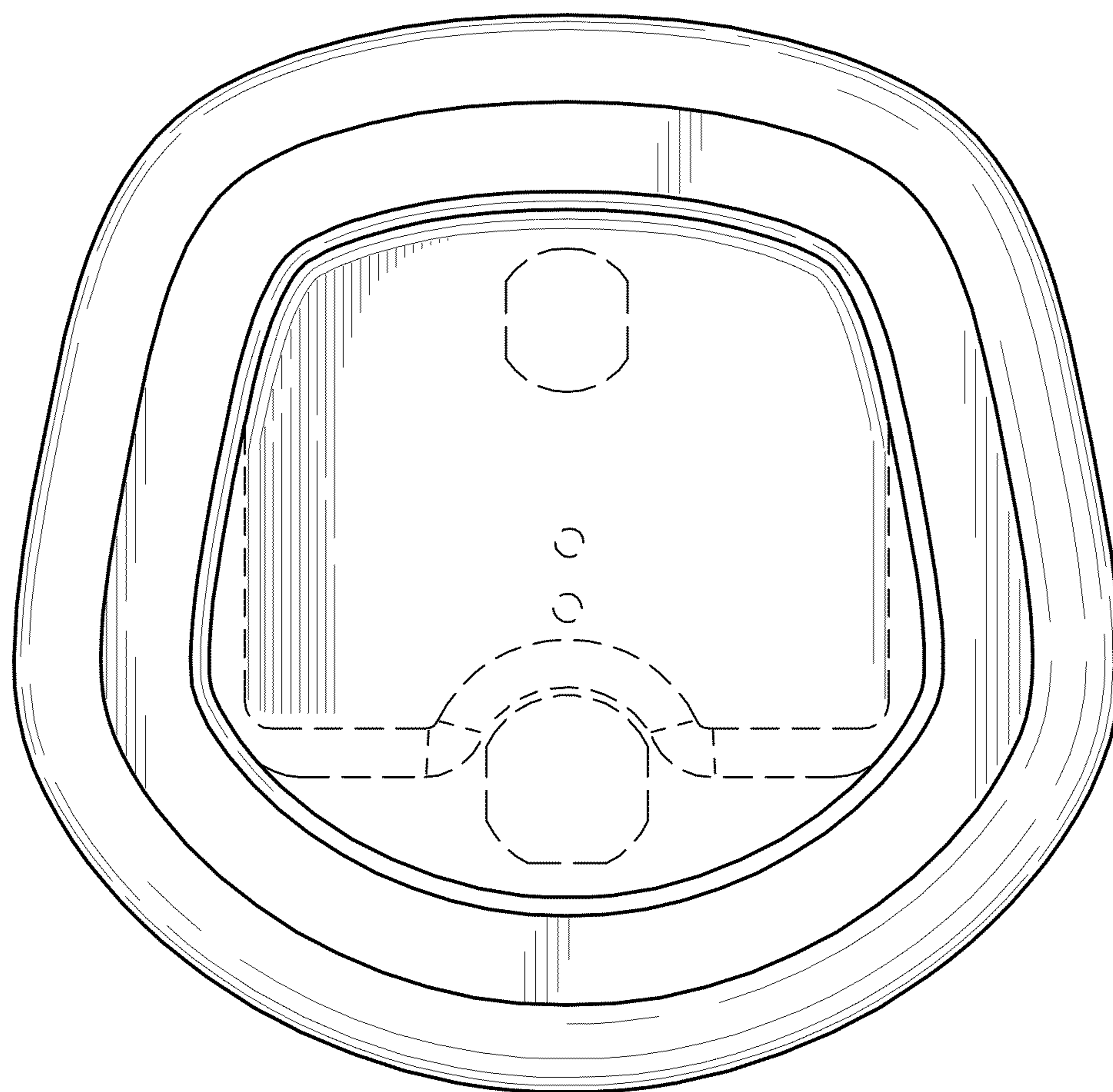


FIG. 8

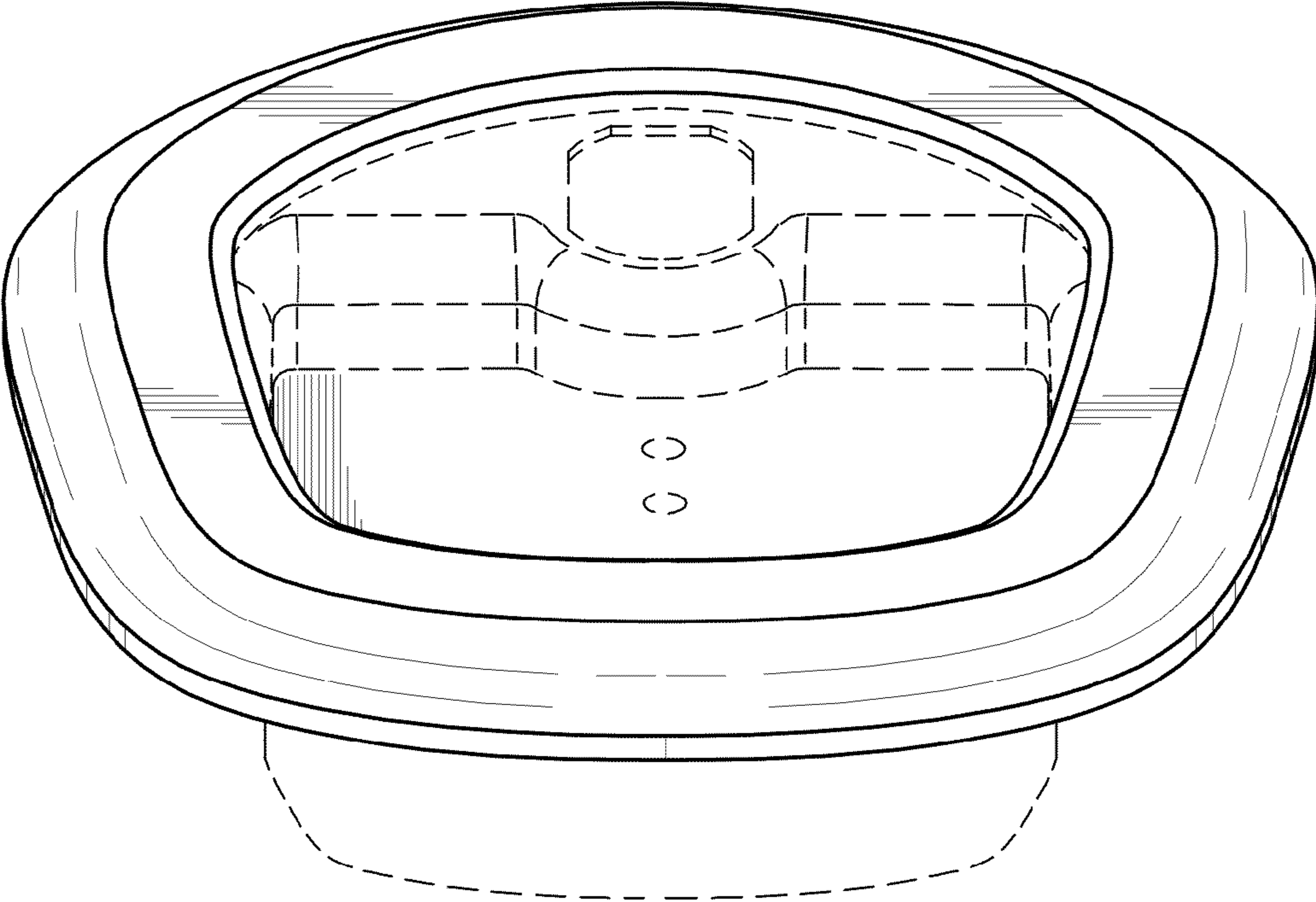


FIG. 9