



US00D738698S

(12) **United States Design Patent**
Calman et al.

(10) **Patent No.:** **US D738,698 S**

(45) **Date of Patent:** **** Sep. 15, 2015**

(54) **ADHESIVE SHEET MATERIAL APPLICATION DEVICE**

(71) Applicants: **Kenneth J. Calman**, Fort Lauderdale, FL (US); **Kathryn S. Calman**, Fort Lauderdale, FL (US)

(72) Inventors: **Kenneth J. Calman**, Fort Lauderdale, FL (US); **Kathryn S. Calman**, Fort Lauderdale, FL (US)

(**) Term: **14 Years**

(21) Appl. No.: **29/461,773**

(22) Filed: **Jul. 26, 2013**

(51) **LOC (10) Cl.** **08-05**

(52) **U.S. Cl.**
USPC **D8/51**

(58) **Field of Classification Search**
USPC D8/4, 5, 51-58, 71, 72, 105-107;
D4/122; 156/60, 579
CPC B41K 1/22; B29C 63/004; Y10T 156/18;
B32B 37/10
See application file for complete search history.

(56) **References Cited**

U.S. PATENT DOCUMENTS

3,568,285 A * 3/1971 Lieberg 156/579
D248,055 S * 5/1978 MacGregor D18/58
D336,163 S * 6/1993 Chien-Min D4/122

D385,060 S * 10/1997 Burrell et al. D28/7
D468,172 S * 1/2003 Dark D8/51
D483,571 S * 12/2003 Khubani D4/122
D498,397 S * 11/2004 Mitchell D8/14
D552,952 S * 10/2007 Horner et al. D8/51
D556,526 S * 12/2007 Horner et al. D8/51
D661,168 S * 6/2012 Furling et al. D8/51
D665,642 S * 8/2012 Furling et al. D8/51
D690,944 S * 10/2013 Lee et al. D4/122
D706,601 S * 6/2014 Thurston D8/51
9,010,397 B2 * 4/2015 Kirkland 156/579
2014/0027037 A1 * 1/2014 Calman et al. 156/60

* cited by examiner

Primary Examiner — Deanna L Pratt

(74) *Attorney, Agent, or Firm* — Ice Miller LLP

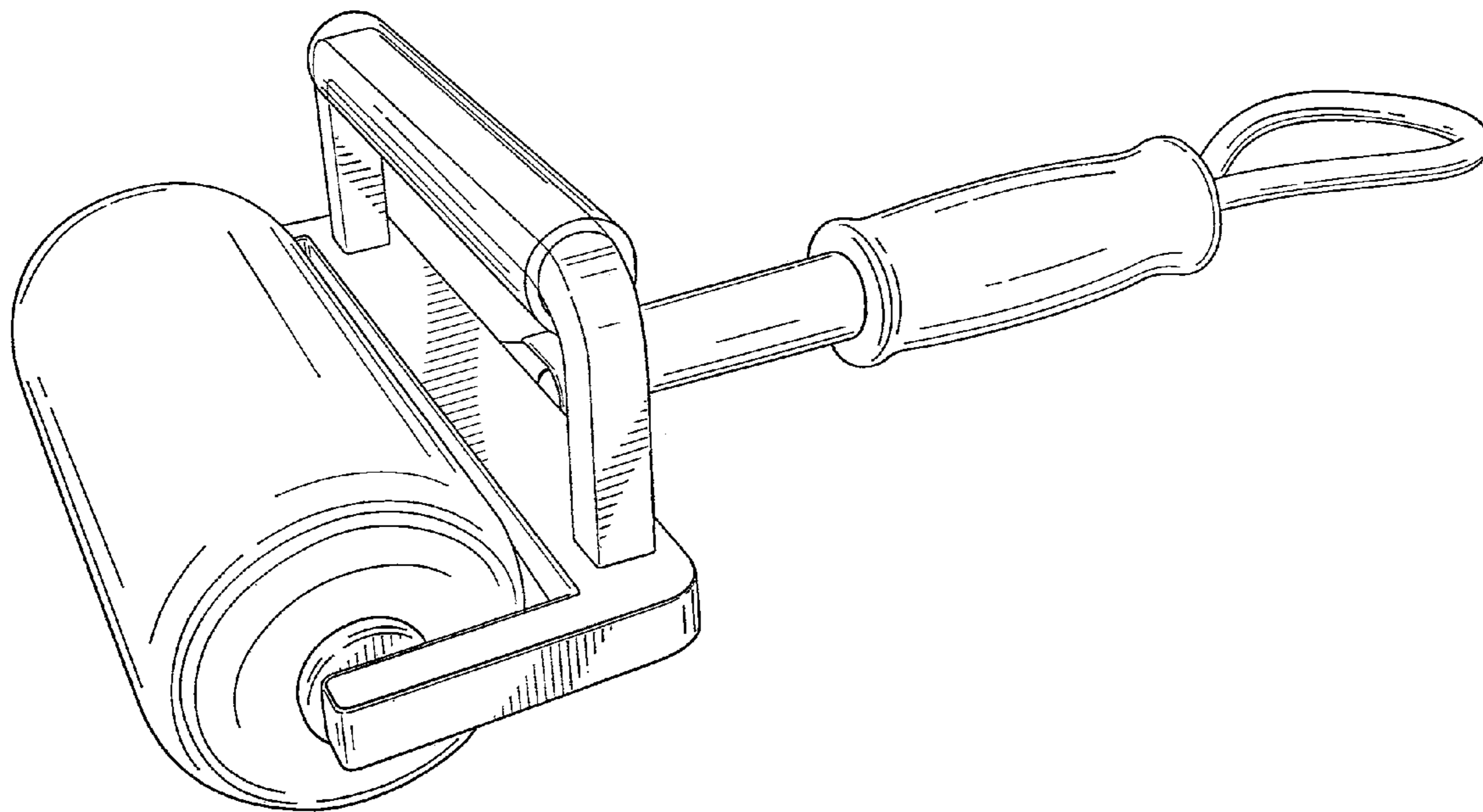
(57) **CLAIM**

The ornamental design for an adhesive sheet material application device, as shown and described.

DESCRIPTION

FIG. 1 is a perspective view of the subject device; FIG. 2 is a top plan view of the subject device; FIG. 3 is a front elevation view of the subject device; FIG. 4 is a left side elevation view of the subject device; FIG. 5 is a back elevation view of the subject device; and, FIG. 6 is a bottom plan view of the subject device. The right side elevation view is a mirror image of the left side elevation view.

1 Claim, 6 Drawing Sheets



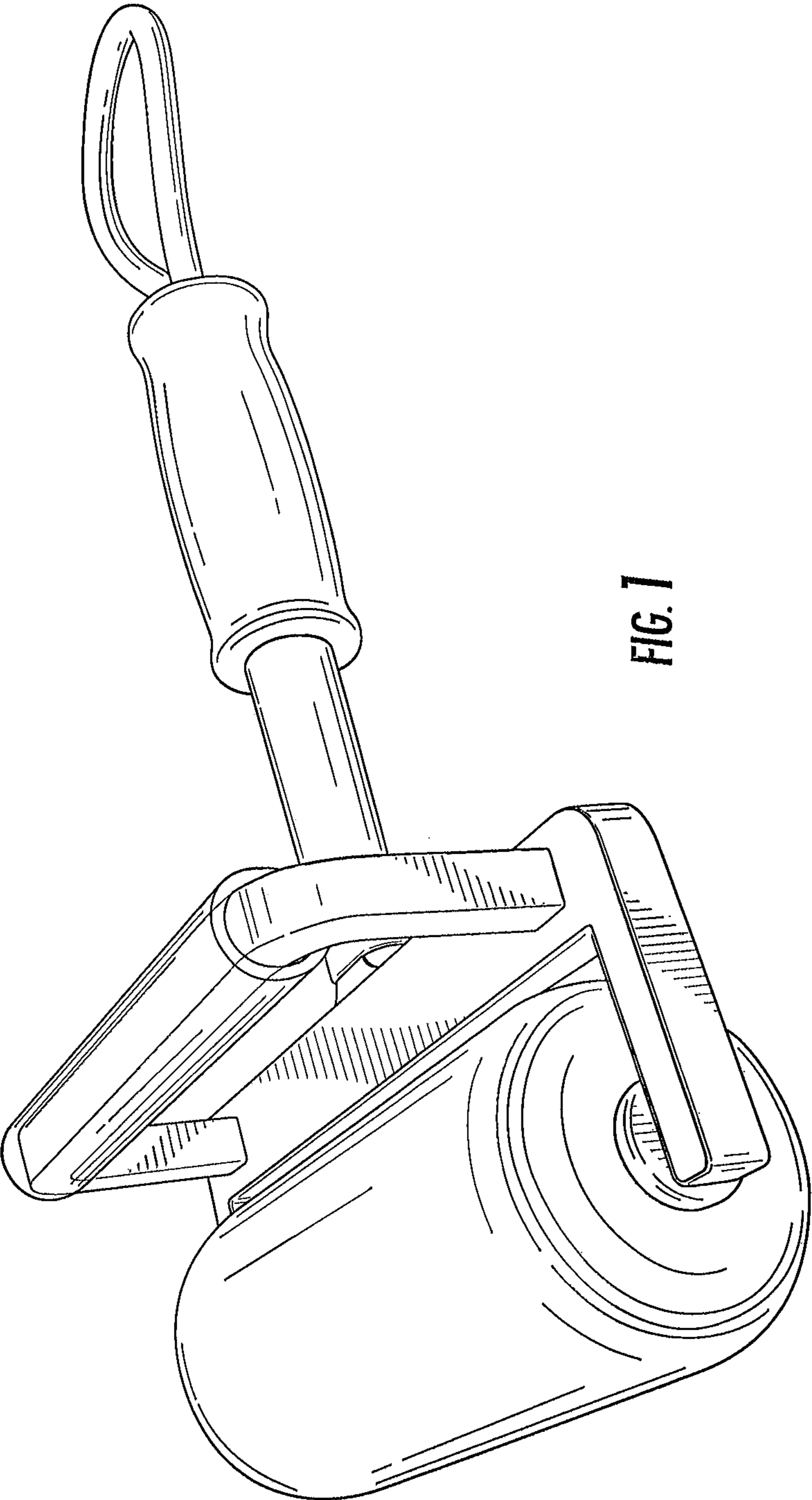


FIG. 1

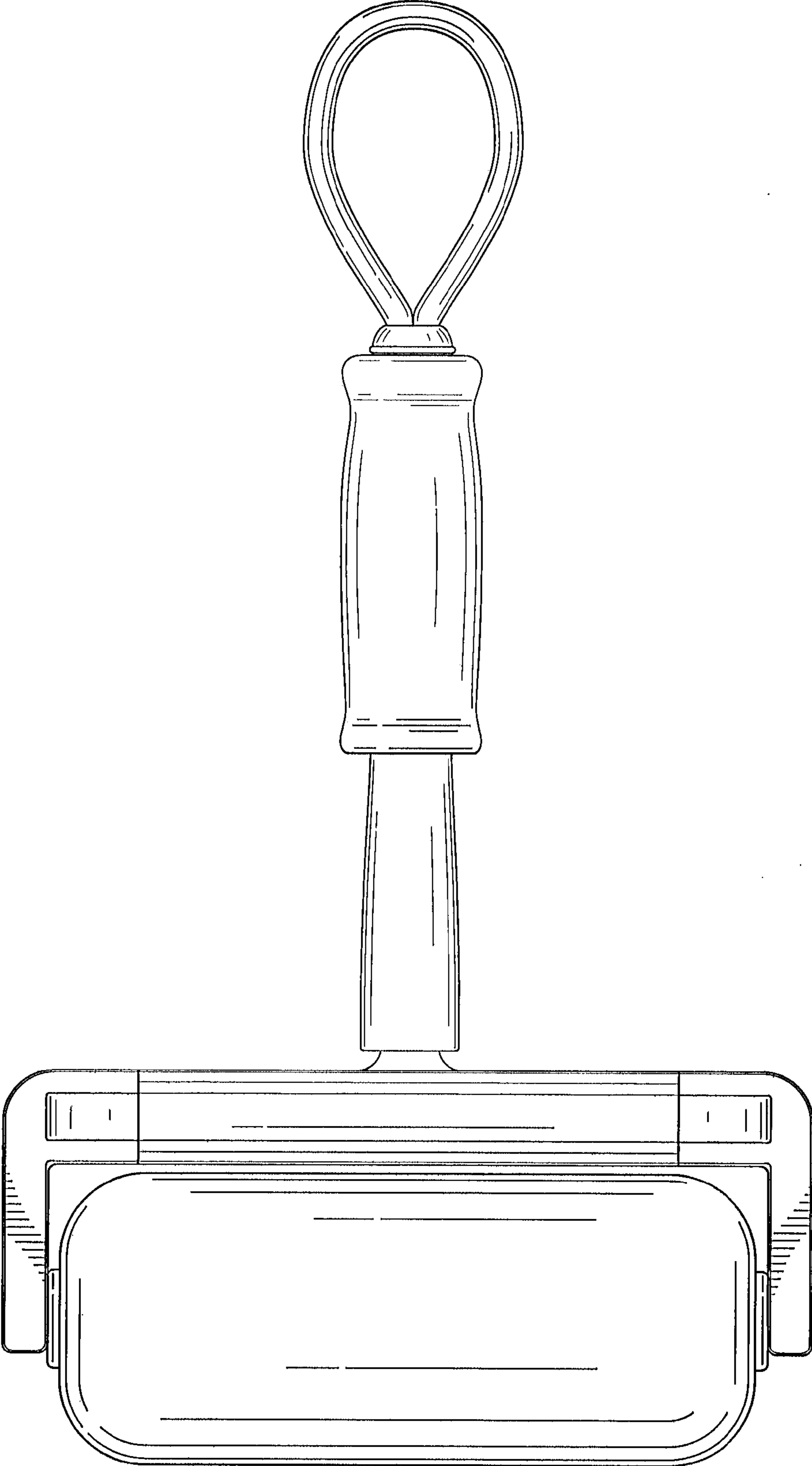


FIG. 2

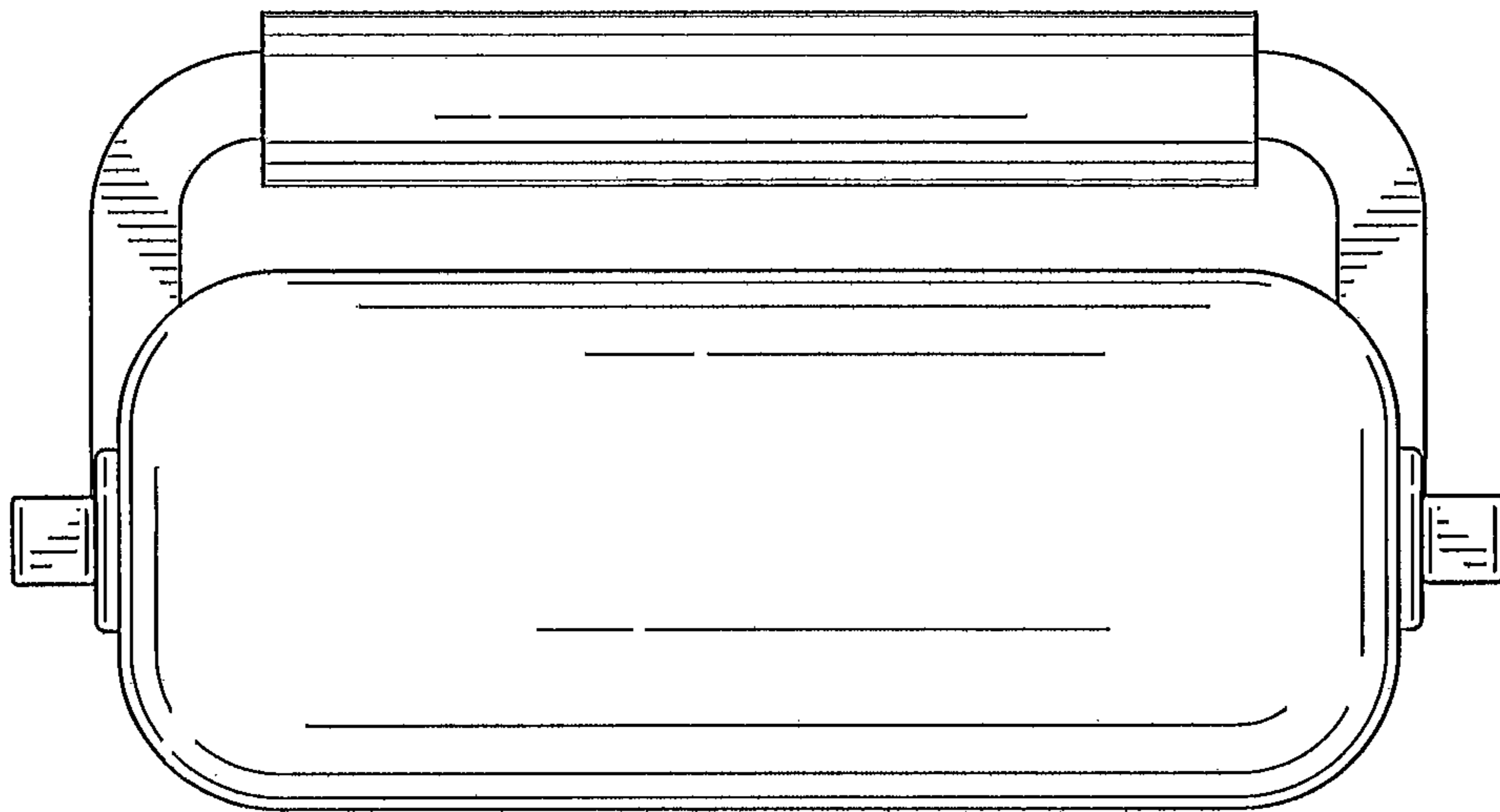


FIG. 3

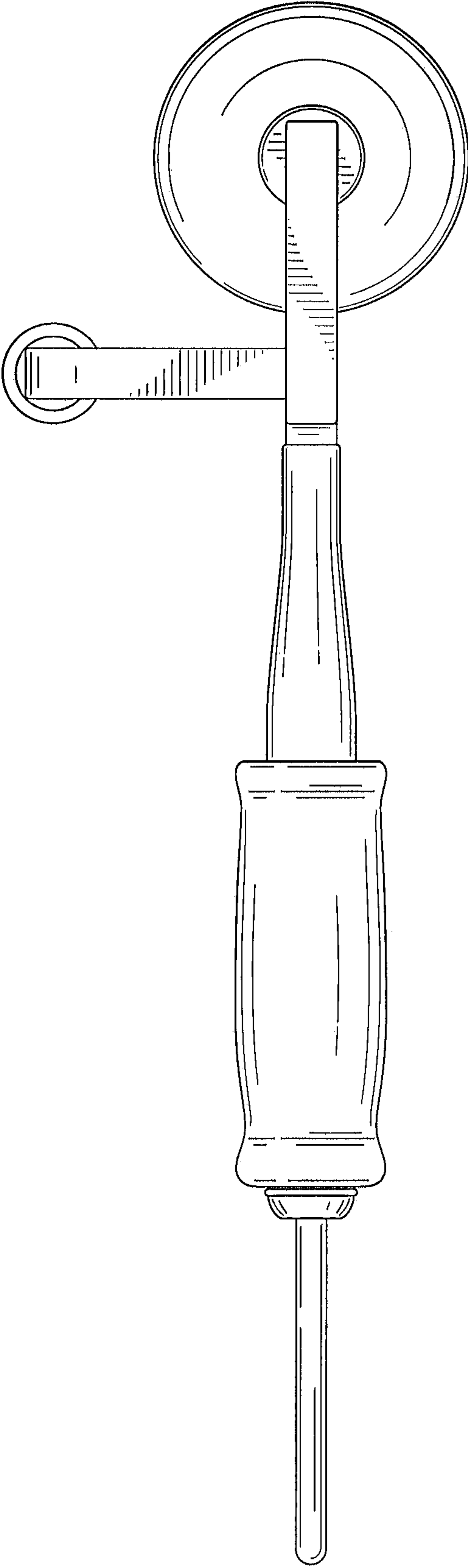


FIG. 4

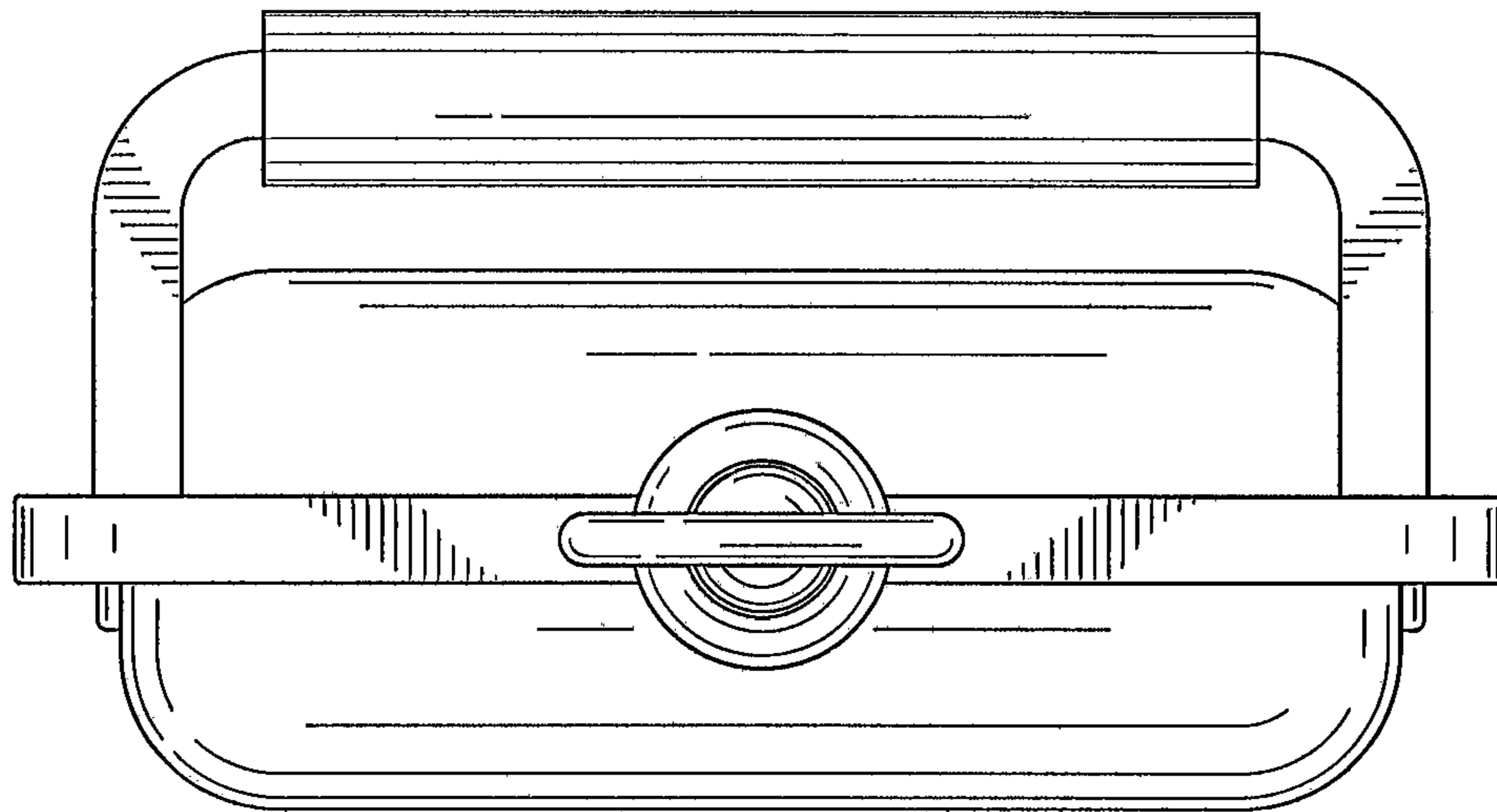


FIG. 5

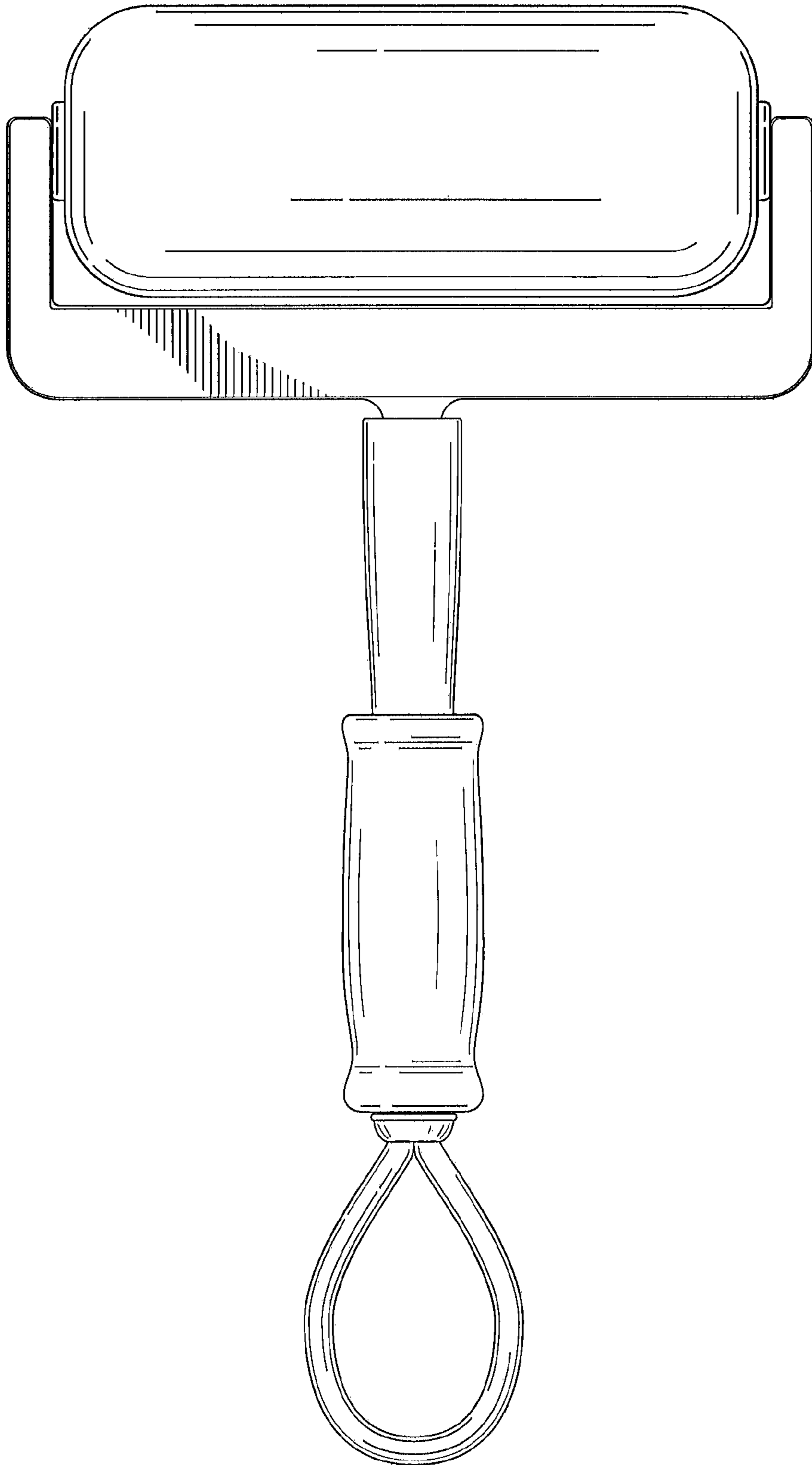


FIG. 6