



US00D738696S

(12) **United States Design Patent**  
**Goodman et al.**

(10) **Patent No.:** **US D738,696 S**  
(45) **Date of Patent:** **\*\* Sep. 15, 2015**

(54) **MUG HOLDER**

(71) Applicant: **Spectrum Diversified Designs, Inc.**,  
Streetsboro, OH (US)

(72) Inventors: **Sheldon H. Goodman**, Solon, OH (US);  
**Phaysouk Xayoiphonh**, Akron, OH  
(US); **Jennifer Case**, Middleburg  
Heights, OH (US)

(73) Assignee: **Spectrum Diversified Designs, Inc.**,  
Streetsboro, OH (US)

(\*\*) Term: **14 Years**

(21) Appl. No.: **29/446,935**

(22) Filed: **Feb. 28, 2013**

(51) **LOC (10) Cl.** ..... **07-06**

(52) **U.S. Cl.**  
USPC ..... **D7/704**

(58) **Field of Classification Search**  
USPC ..... D7/701-708, 600.1-600.4; D6/457,  
D6/682.6, 405, 411, 458, 462, 465;  
211/13.1, 30-33, 71.01, 70.6, 70.7, 74,  
211/77-78, 171, 181.1, 205; 248/116, 121,  
248/175, 176.1, 465.1, 511, 512, 519  
See application file for complete search history.

(56) **References Cited**

U.S. PATENT DOCUMENTS

D312,556 S \* 12/1990 Ancona et al. .... D7/701  
D385,758 S \* 11/1997 Hollinger ..... D7/704  
D393,783 S \* 4/1998 Goodman ..... D7/704

D529,348 S \* 10/2006 Goodman et al. .... D7/704  
D539,104 S \* 3/2007 Goodman et al. .... D7/704  
D560,449 S \* 1/2008 Goodman et al. .... D7/707  
D628,865 S \* 12/2010 Guindi ..... D7/704  
D652,697 S \* 1/2012 Guindi ..... D7/704

\* cited by examiner

*Primary Examiner* — Wan Laymon

*Assistant Examiner* — Mark Booker

(74) *Attorney, Agent, or Firm* — Renner, Otto, Boisselle &  
Sklar, LLP

(57) **CLAIM**

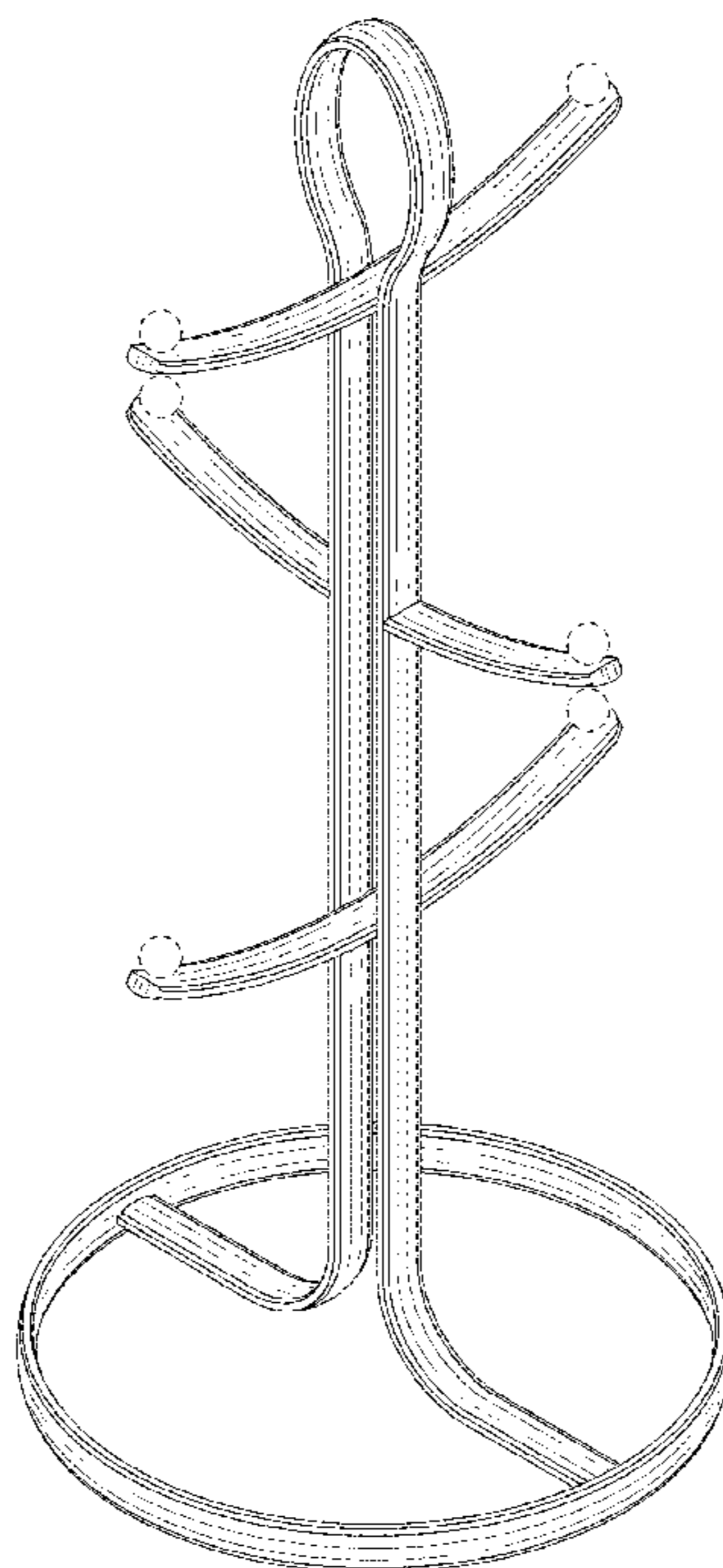
The ornamental design for a mug holder, as shown and  
described.

**DESCRIPTION**

FIG. 1 is a perspective view of a mug holder showing my new  
design;  
FIG. 2 is a front view of the mug holder, the rear view being  
a mirror image thereof;  
FIG. 3 is a cross-section view of wire used to form the mug  
holder, taken along line 3-3 of FIG. 2.  
FIG. 4 is a side view of the mug holder, the opposite side being  
a mirror image thereof;  
FIG. 5 is a top view of the mug holder;  
FIG. 6 is a bottom view of the mug holder; and,  
FIG. 7 is a perspective view of a second embodiment of a mug  
holder showing my new design, which is the same as the first  
embodiment except the cross-sectional shape of the wire is  
different.

The broken lines in the drawing illustrate environmental mat-  
ter and form no part of the claimed design.

**1 Claim, 4 Drawing Sheets**



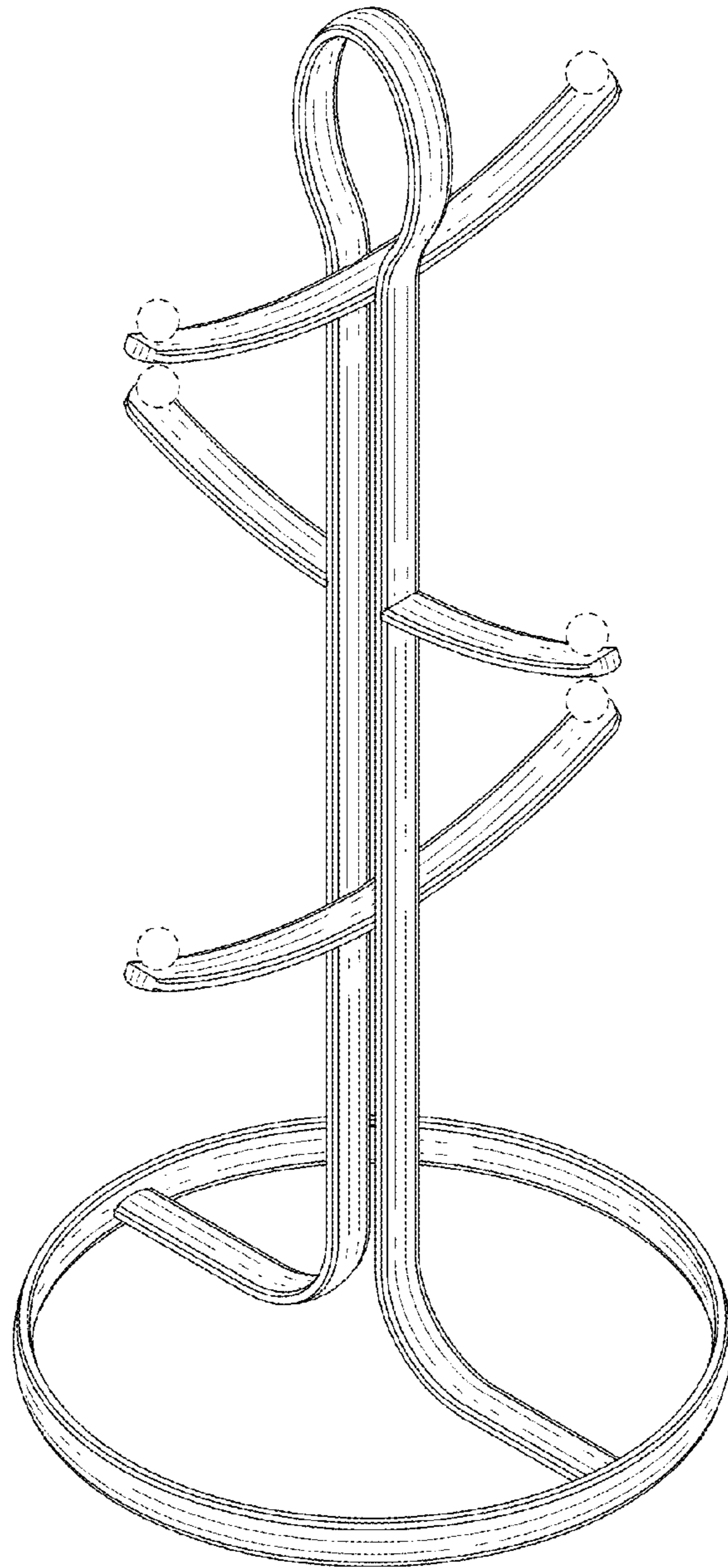


FIG. 1

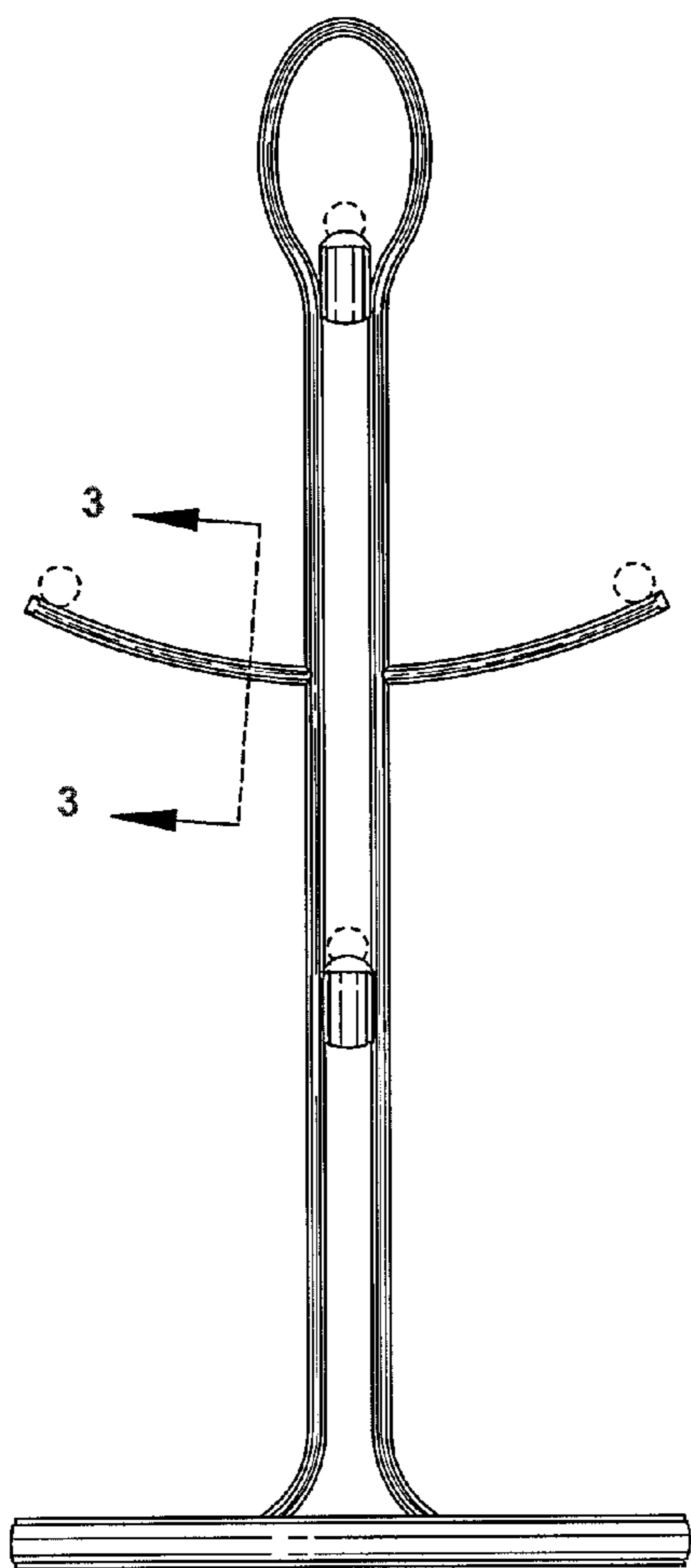


FIG. 2

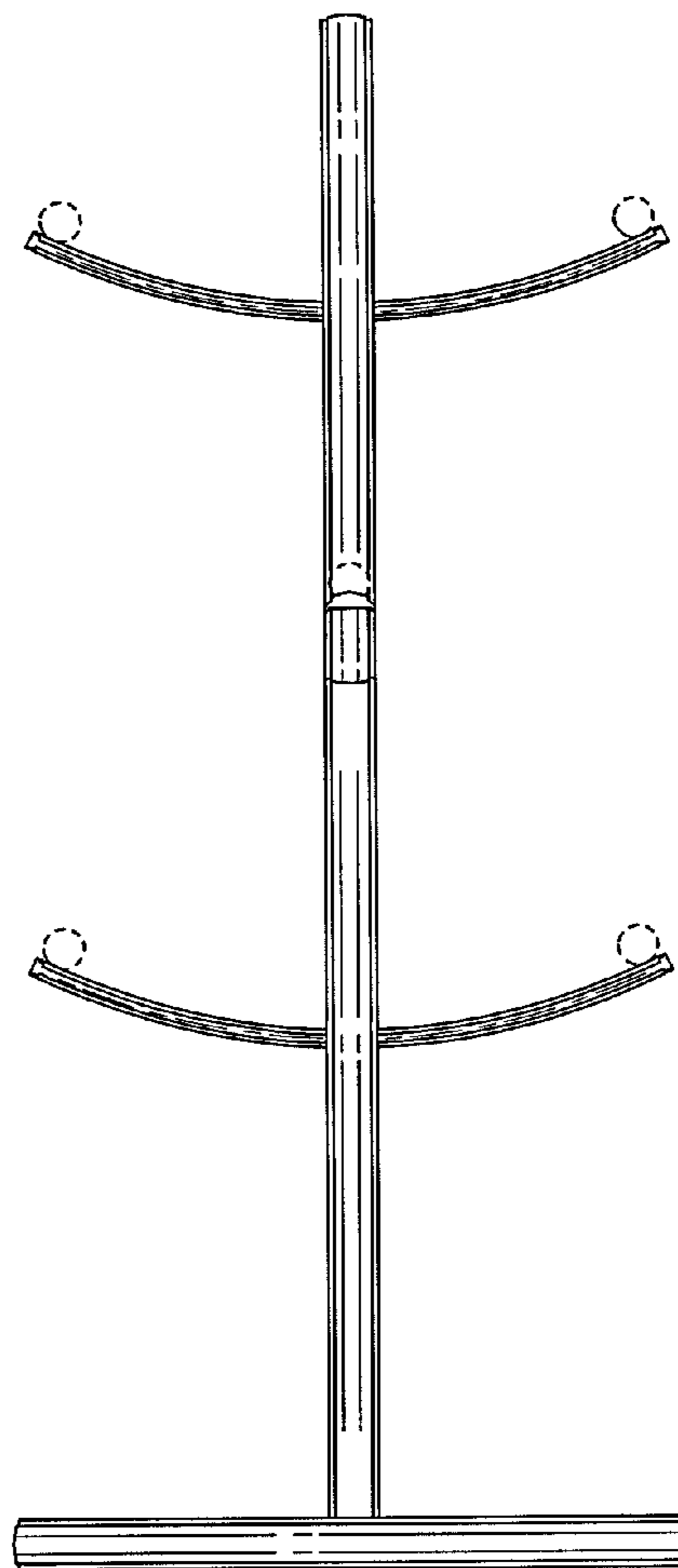


FIG. 4

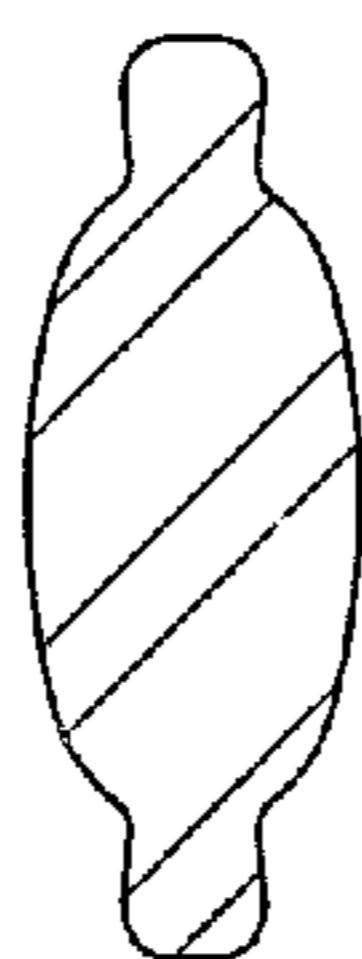


FIG. 3

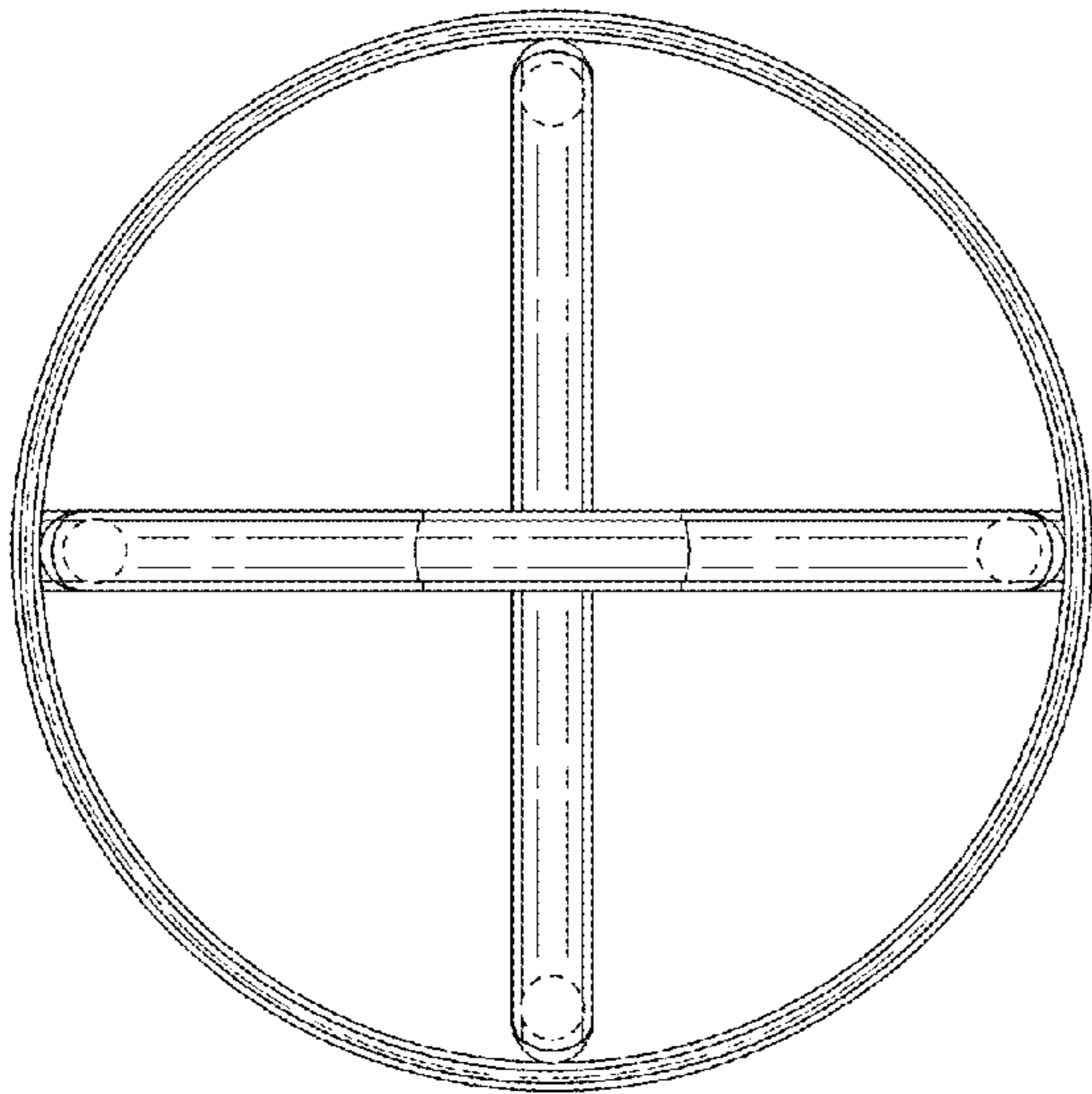


FIG. 5

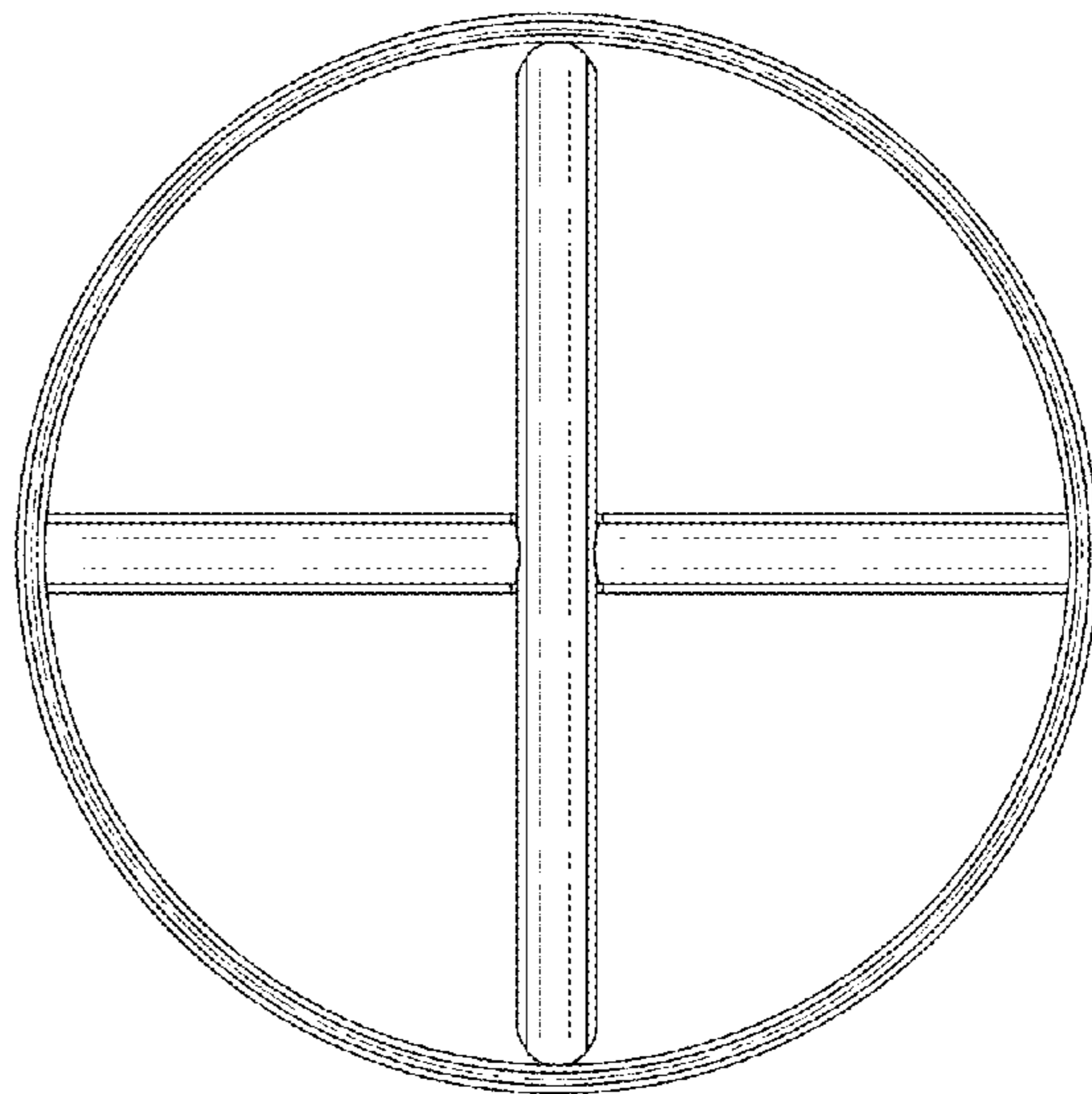


FIG. 6

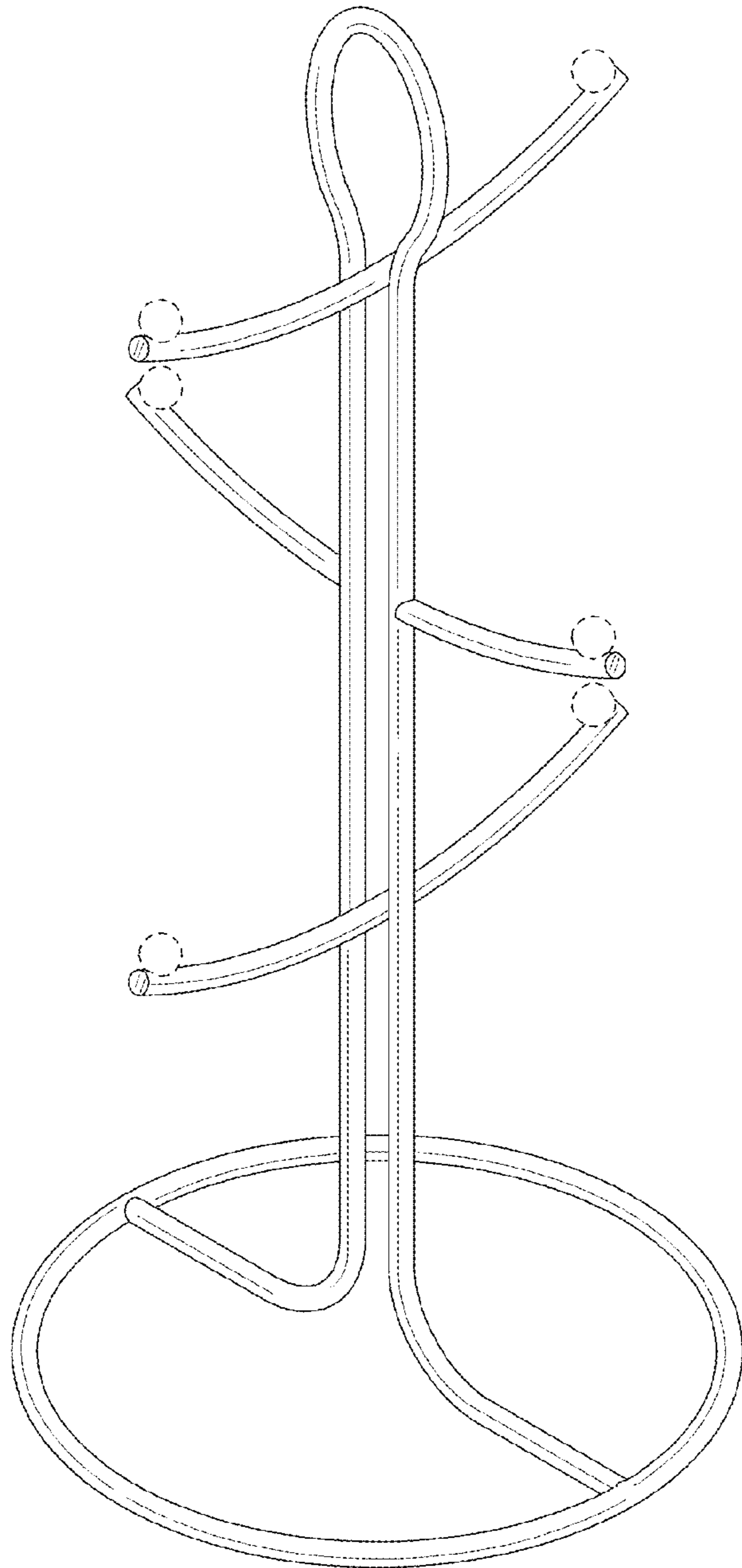


FIG. 7