

US00D738692S

(12) **United States Design Patent**  
**Kilduff et al.**

(10) **Patent No.:** **US D738,692 S**  
(45) **Date of Patent:** **\*\* \*Sep. 15, 2015**

(54) **STORAGE CONTAINER**

(71) Applicants: **Edward Kilduff**, New York, NY (US);  
**Shane Blomberg**, Brooklyn, NY (US)

(72) Inventors: **Edward Kilduff**, New York, NY (US);  
**Shane Blomberg**, Brooklyn, NY (US)

(73) Assignee: **FRESHLINK PRODUCT DEVELOPMENT, LLC**, New York, NY (US)

(\*) Notice: This patent is subject to a terminal disclaimer.

(\*\*) Term: **14 Years**

(21) Appl. No.: **29/510,535**

(22) Filed: **Nov. 30, 2014**

**Related U.S. Application Data**

(63) Continuation-in-part of application No. 29/477,409, filed on Dec. 20, 2013.

(51) **LOC (10) Cl.** ..... **07-07**

(52) **U.S. Cl.**  
USPC ..... **D7/630; D7/629; D7/615**

(58) **Field of Classification Search**  
USPC ..... **D7/608, 612-615, 629, 630, 601, 602; 220/23.86, 780-806, 574-575; 215/6, 215/12.1, 12.2; D9/529, 530, 537, 541, D9/549, 559, 574, 575**

See application file for complete search history.

(56) **References Cited**

U.S. PATENT DOCUMENTS

D590,667 S *	4/2009	Trombly	.....	D7/629
D641,594 S *	7/2011	Huang	.....	D7/629
8,342,349 B2 *	1/2013	Lu	.....	220/23.86
D686,885 S *	7/2013	Meyers et al.	.....	D7/629
2010/0200438 A1 *	8/2010	Davies	.....	206/223

\* cited by examiner

*Primary Examiner* — Terry Wallace

(74) *Attorney, Agent, or Firm* — Klauber & Jackson LLC

(57) **CLAIM**

The ornamental design for a storage container, as shown and described.

**DESCRIPTION**

FIG. 1 is a top, front and left side perspective view of a storage container showing my new design.

FIG. 2 is a bottom, front right side view thereof.

FIG. 3 is a front side view of the lid, the opposite side being a mirror image, shown separately for clarity of illustration.

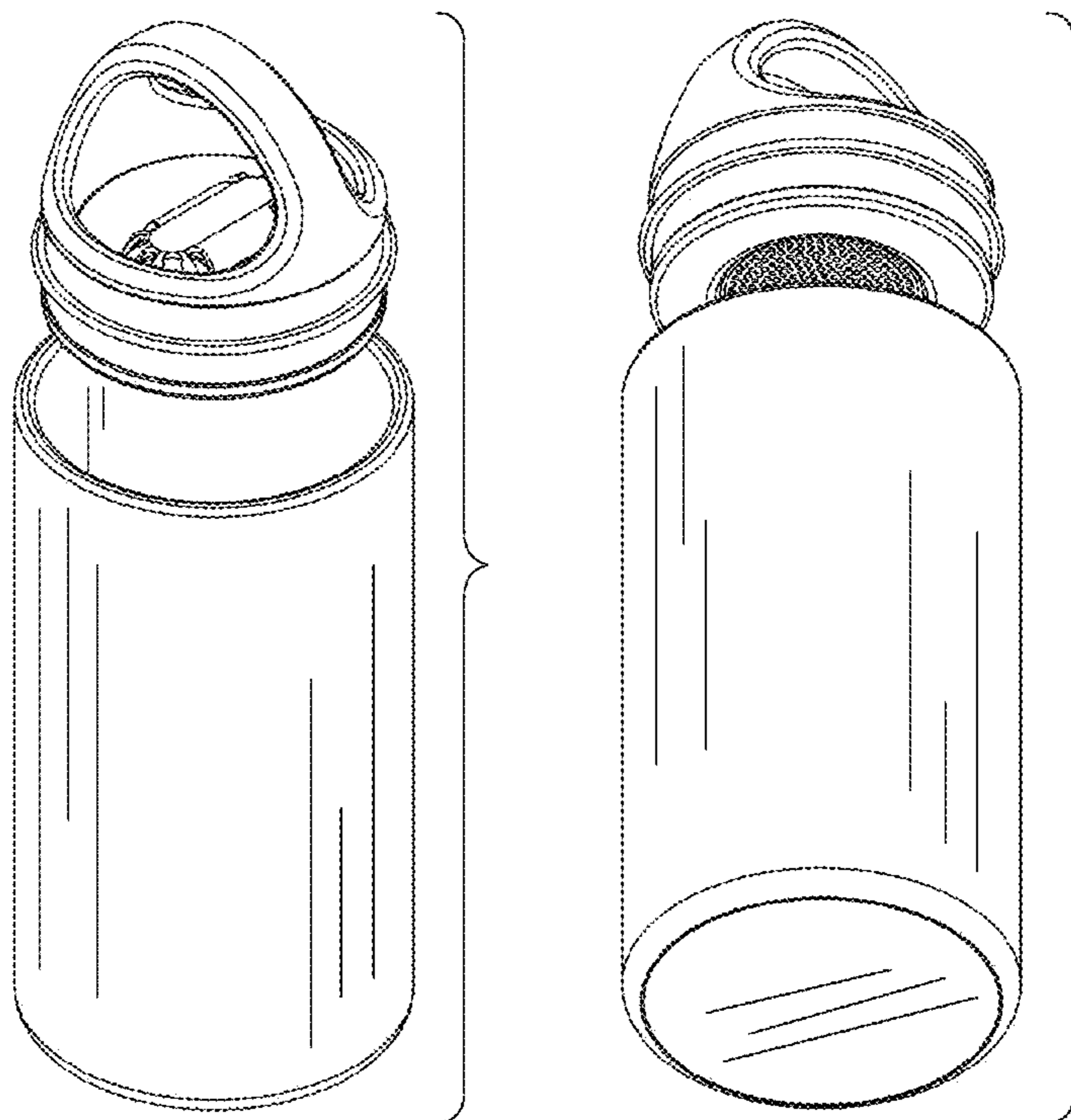
FIG. 4 is a side view of FIG. 3, the opposite side being a mirror image;

FIG. 5 is a top plan view of FIG. 3.

FIG. 6 is a top, front, right side perspective view of FIG. 3; and,

FIG. 7 is a bottom plan view of FIG. 3.

**1 Claim, 2 Drawing Sheets**



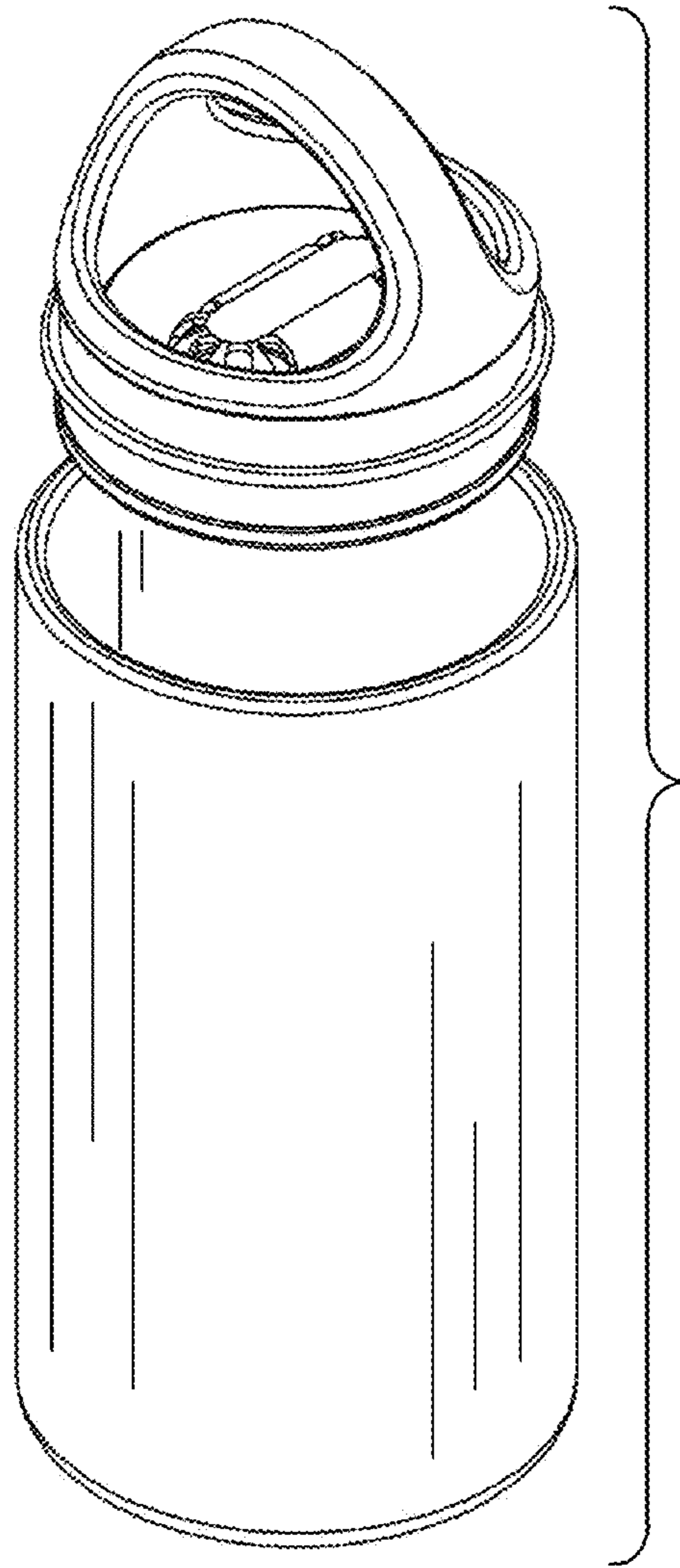


Fig. 1

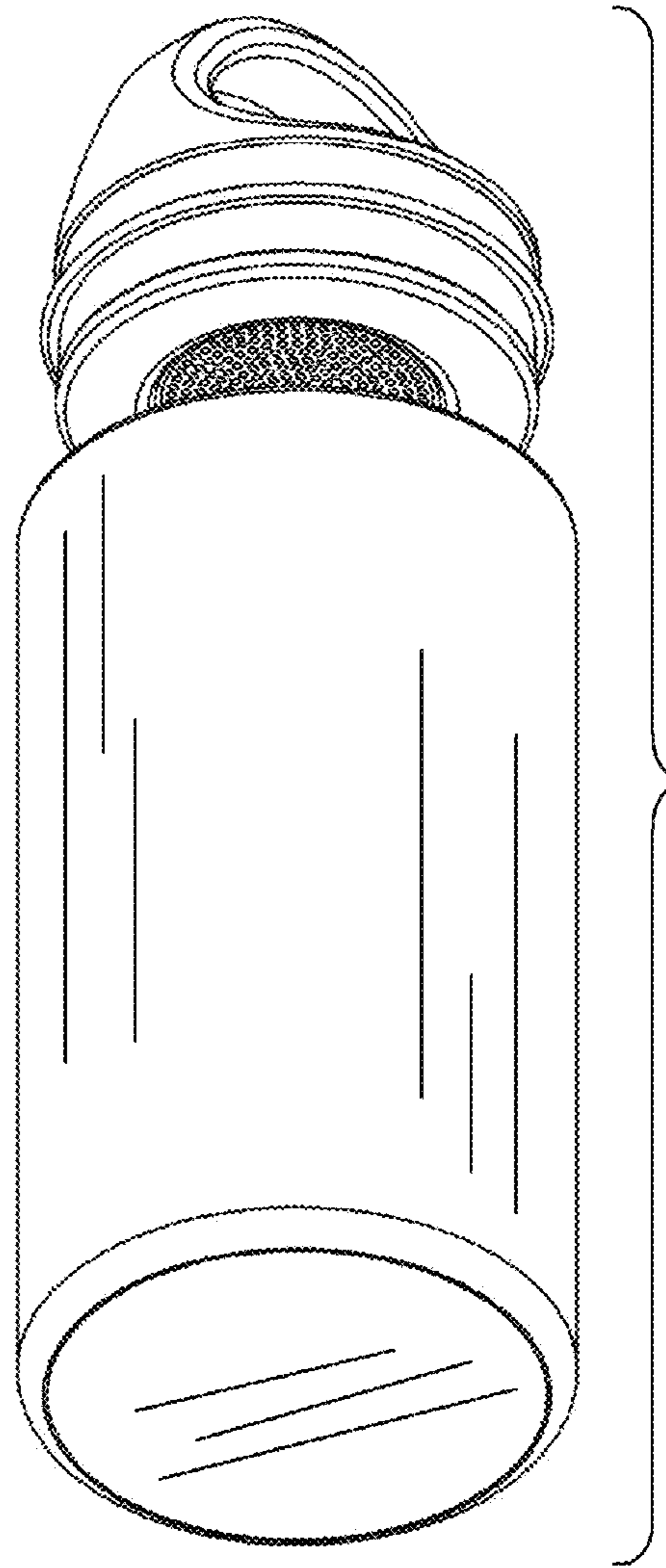


Fig. 2

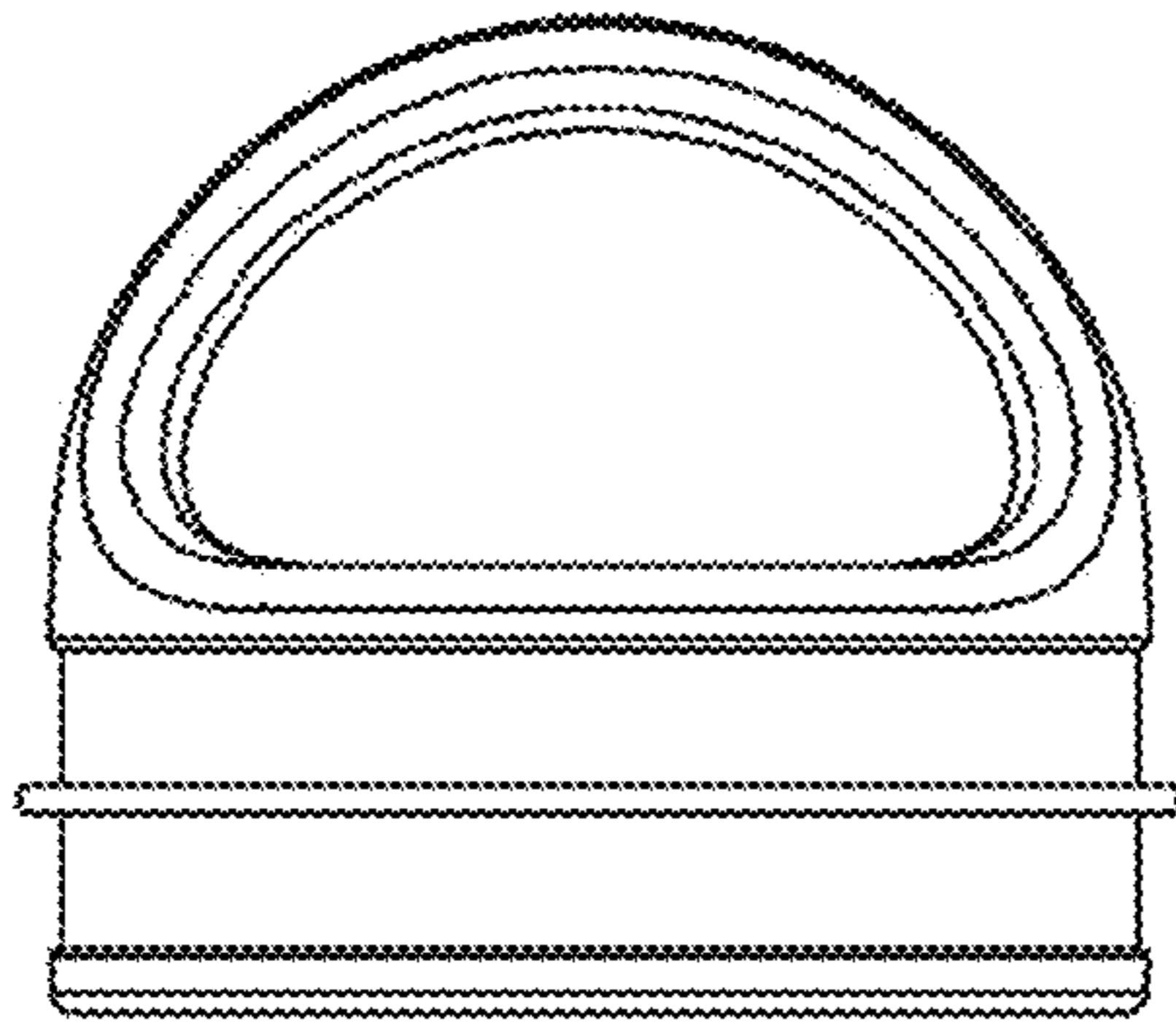


Fig. 3

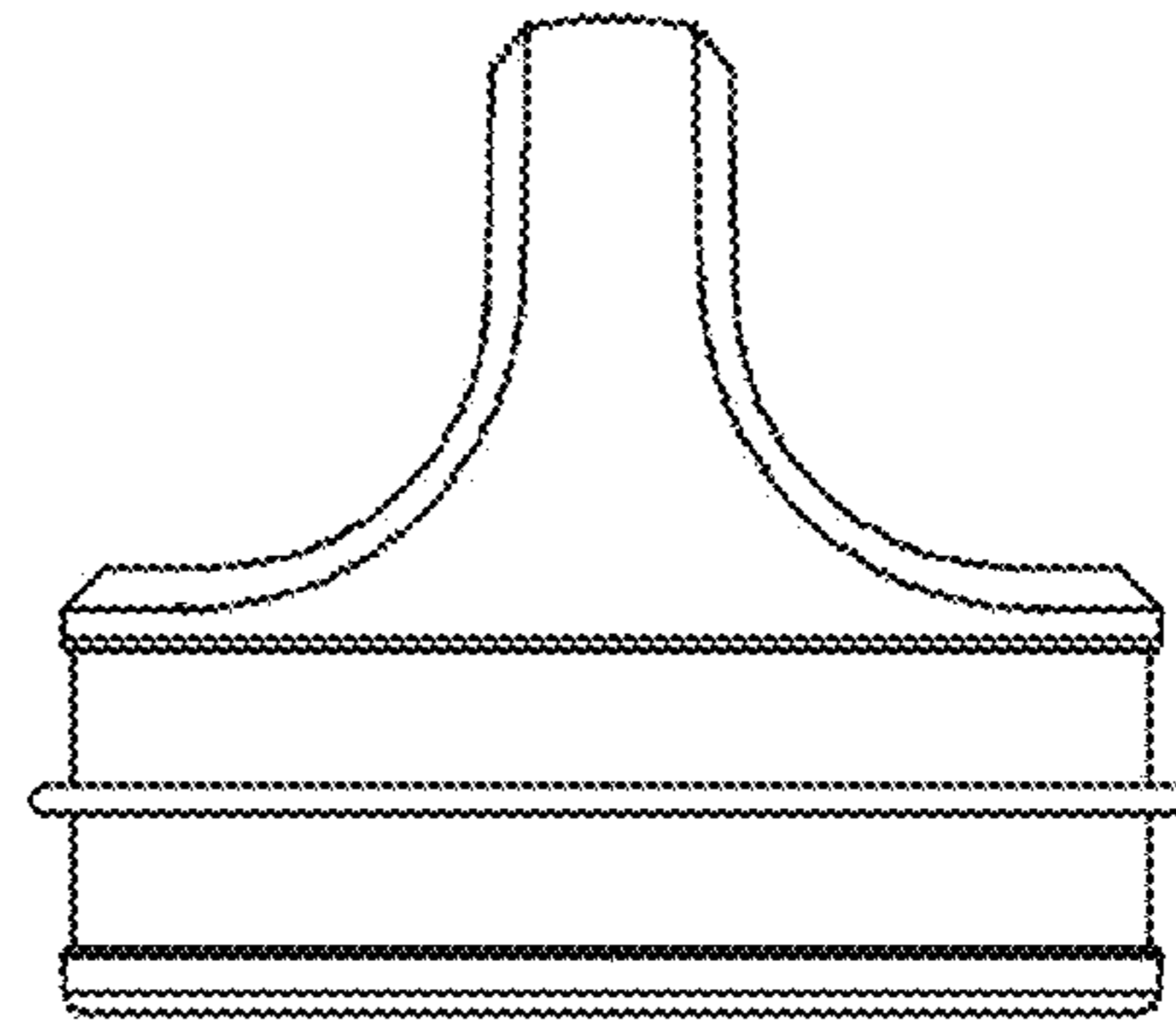


Fig. 4

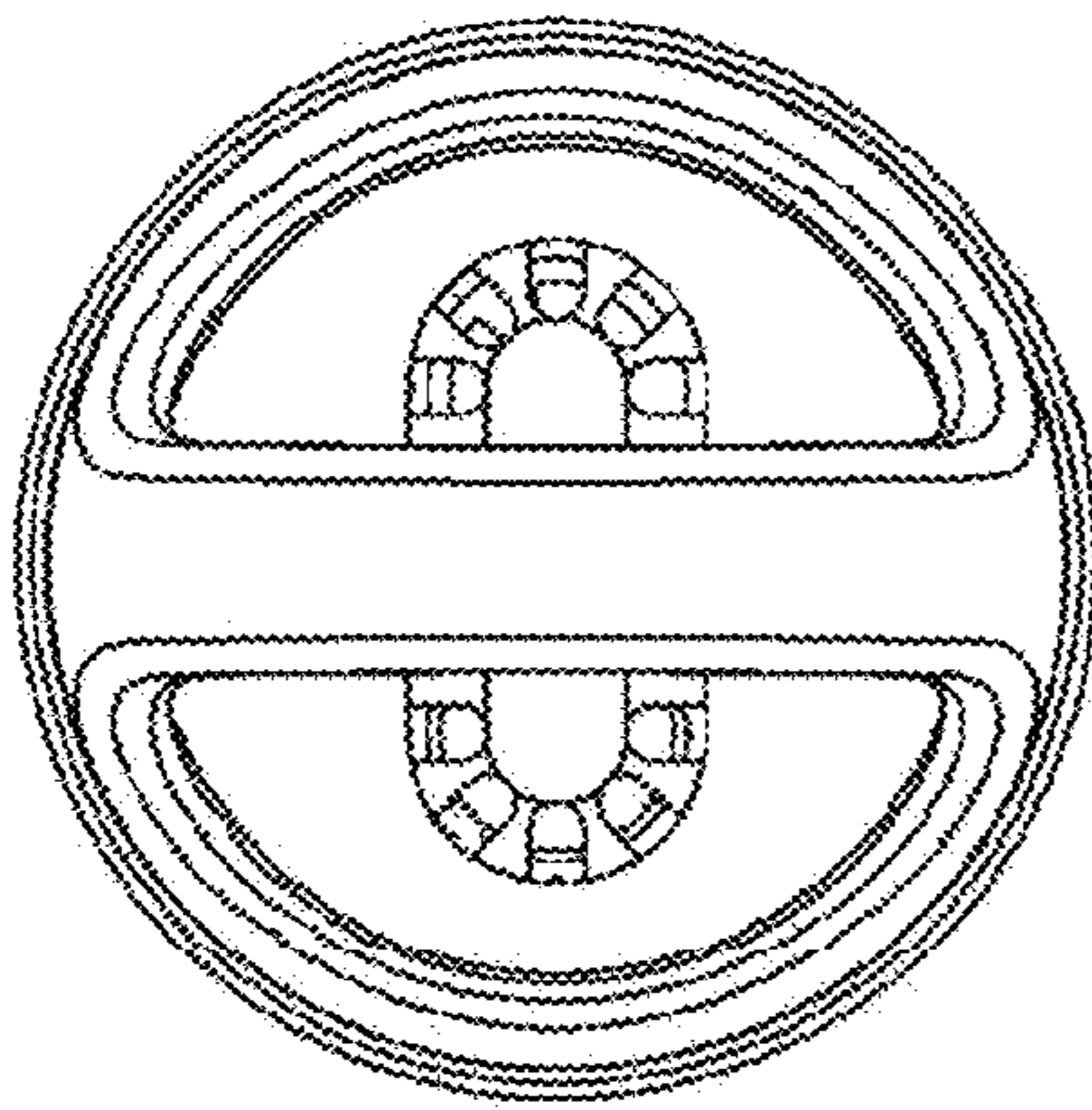


Fig. 5

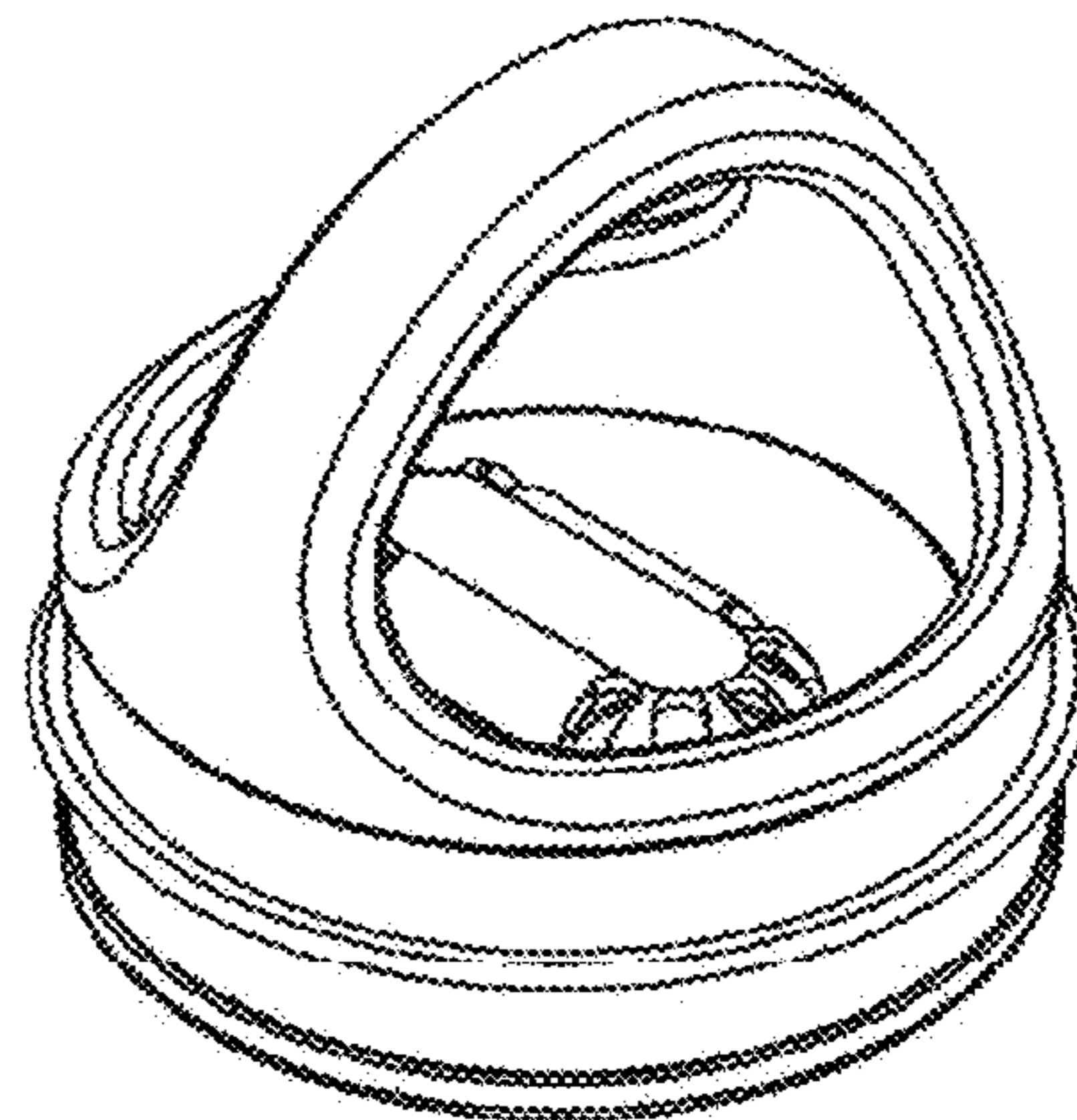


Fig. 6

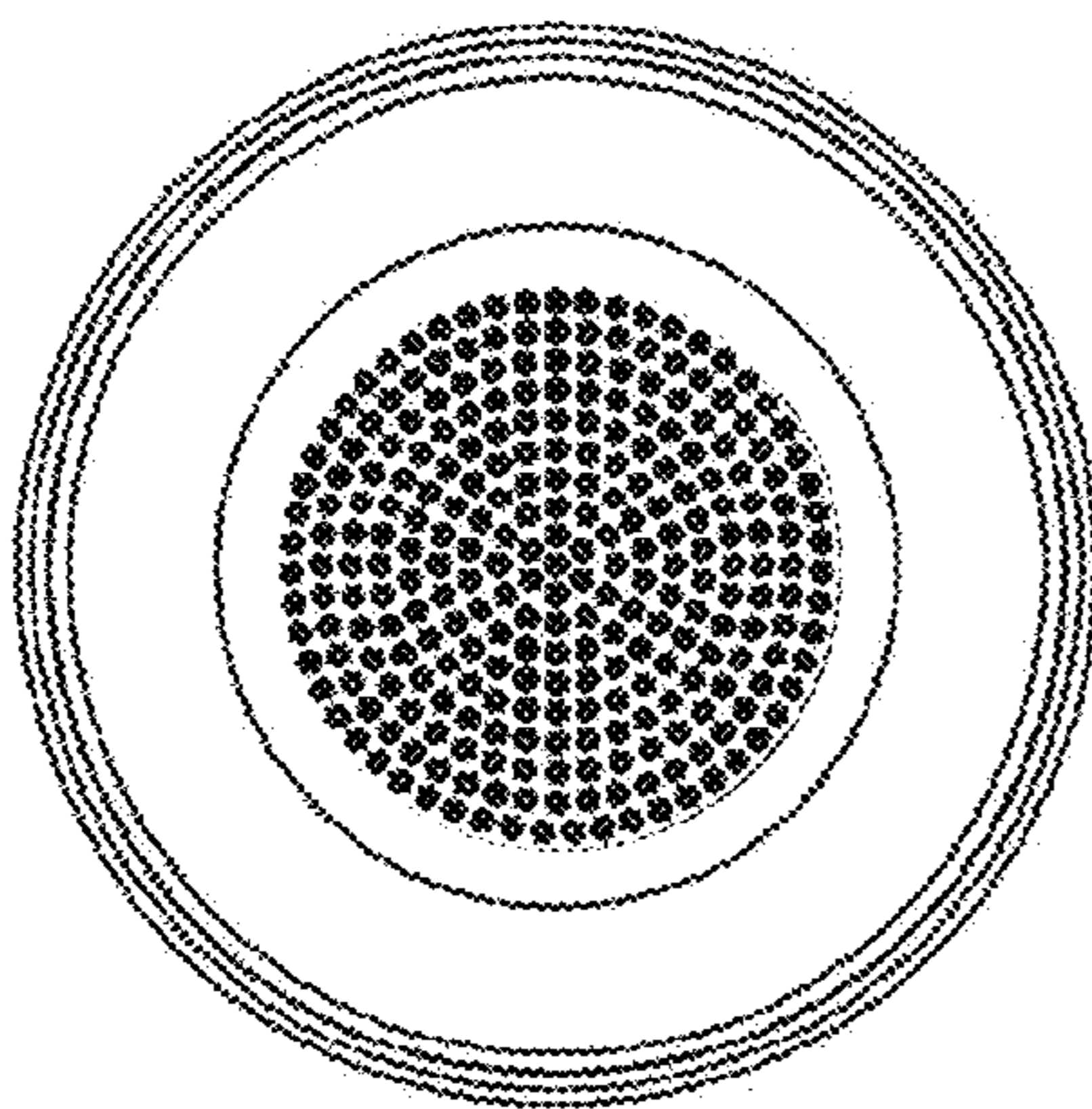


Fig. 7