



US00D738691S

(12) **United States Design Patent**
Williams

(10) **Patent No.:** **US D738,691 S**
(45) **Date of Patent:** **** Sep. 15, 2015**

- (54) **COASTER WITH HINGE**
- (71) Applicant: **Elizabeth A. Williams**, Broken Arrow, OK (US)
- (72) Inventor: **Elizabeth A. Williams**, Broken Arrow, OK (US)
- (73) Assignee: **Firefly Industries, Inc.**, Tulsa, OK (US)
- (**) Term: **14 Years**
- (21) Appl. No.: **29/461,351**
- (22) Filed: **Jul. 22, 2013**

2,709,905 A	6/1955	Dunlap	
2,893,163 A *	7/1959	Hazel, Jr.	248/346.11
2,989,205 A	6/1961	Yaws	
3,248,016 A	4/1966	Dahl et al.	
3,268,198 A *	8/1966	Swett	248/346.11
D228,721 S *	10/1973	Todd	D7/624.1
D229,655 S	12/1973	Cyren	
3,799,641 A	3/1974	Buck	
4,089,498 A	5/1978	Woodruff	
4,336,574 A	6/1982	Goodman	
4,978,566 A	12/1990	Scheurer et al.	
D323,383 S	1/1992	Keays et al.	
D334,975 S *	4/1993	Bunce et al.	D23/366
D340,270 S	10/1993	Jones	
5,273,182 A	12/1993	Laybourne	
5,316,255 A	5/1994	Marcusen	
D387,250 S	12/1997	Tubbesing	
D392,919 S	3/1998	Butler	
5,743,506 A	4/1998	Adams	
D408,227 S	4/1999	Swann, Jr.	
D428,776 S	8/2000	Shuman	
6,102,352 A *	8/2000	Kvalvog	248/346.11
D441,441 S	5/2001	Upton	

Related U.S. Application Data

- (60) Continuation-in-part of application No. 29/439,848, filed on Dec. 17, 2012, now Pat. No. Des. 696,077, which is a division of application No. 29/398,103, filed on Jul. 26, 2011, now Pat. No. Des. 677,994.

- (51) **LOC (10) Cl.** **07-06**
- (52) **U.S. Cl.**
USPC **D7/624.1**

- (58) **Field of Classification Search**
USPC D7/624.1-624.3, 619.1-625, 387;
D26/14, 17, 98; D23/355-369;
62/457.1-457.9; 215/393-396;
220/738, 740, 796; 248/346.01,
248/346.11, 346.2-346.5, 311.2; 239/34,
239/44, 47, 48, 53-60, 326, 650;
261/DIG. 17, DIG. 42, DIG. 65, DIG. 88,
261/DIG. 89; 392/386, 390, 394, 395;
D24/232

See application file for complete search history.

(56) **References Cited**

U.S. PATENT DOCUMENTS

493,646 A	3/1893	Paproth et al.	
1,971,337 A *	8/1934	Collins	428/66.5
2,210,102 A	8/1940	Steudel	
2,333,028 A	10/1943	Merrill	

(Continued)

Primary Examiner — Wan Laymon

Assistant Examiner — Mark Booker

(74) *Attorney, Agent, or Firm* — Molly D. McKay

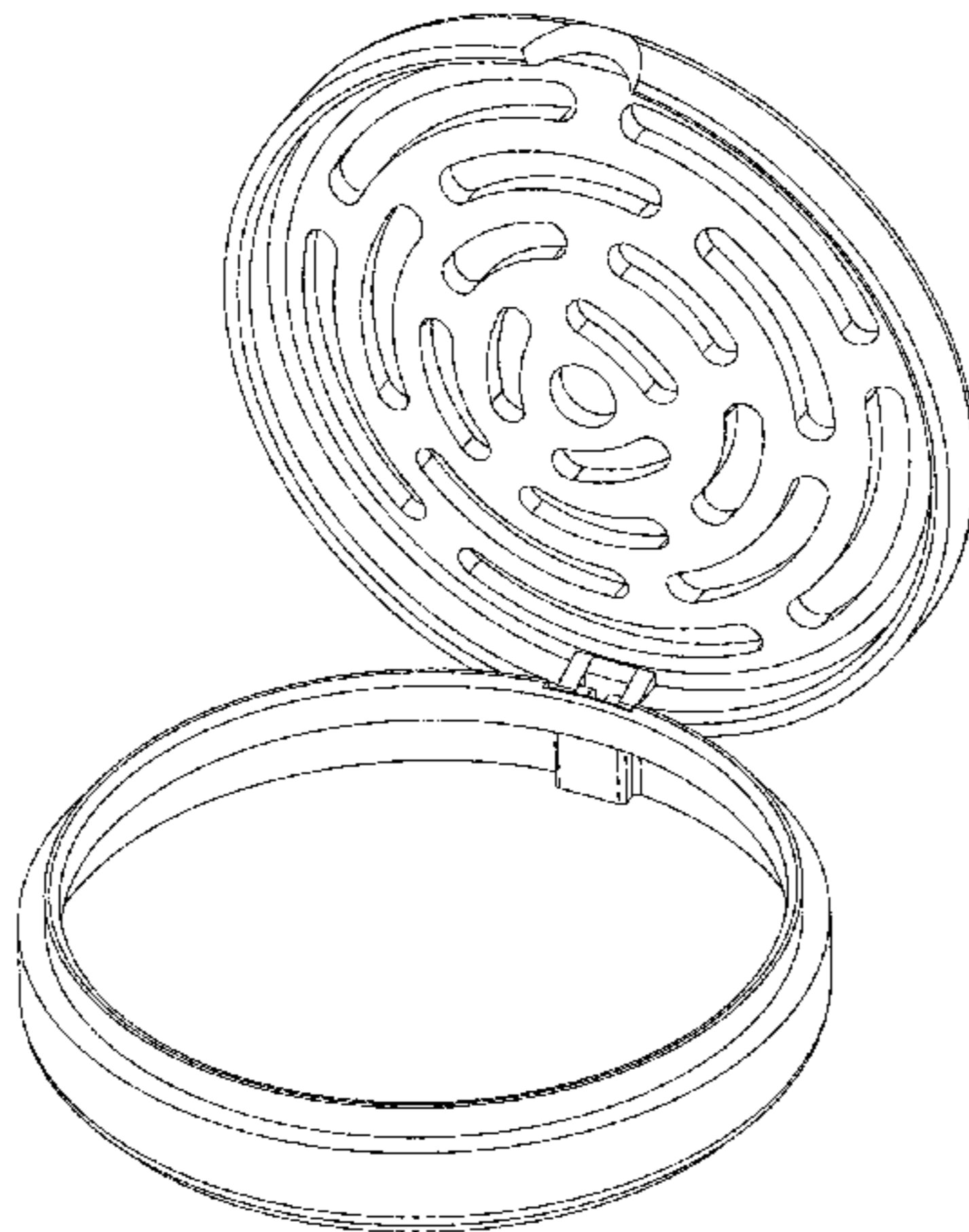
(57) **CLAIM**

The ornamental design for a coaster with hinge, as shown and described.

DESCRIPTION

FIG. 1 is an open perspective view of the coaster with hinge showing the coaster with its internal sponge removed
 FIG. 2 is a closed perspective view thereof;
 FIG. 3 is a top plan view thereof;
 FIG. 4 is front view thereof;
 FIG. 5 is a rear view thereof;
 FIG. 6 is a side view thereof;
 FIG. 7 is a cross sectional view taken along line 7-7 of FIG. 3 thereof; and,
 FIG. 8 is a bottom plan view thereof.

1 Claim, 4 Drawing Sheets



(56)

References Cited

U.S. PATENT DOCUMENTS

D443,924 S *	6/2001	Renella	D23/366	D694,061 S *	11/2013	Lee et al.	D7/388
6,550,737 B1	4/2003	Sai et al.		D696,077 S *	12/2013	Williams	D7/624.1
D491,257 S	6/2004	Picken, Jr.		2002/0121583 A1	9/2002	Jones et al.	
6,786,062 B1 *	9/2004	Greenberg	62/457.4	2003/0106981 A1	6/2003	Ropp	
7,240,720 B2	7/2007	Noel		2006/0016294 A1	1/2006	McGrath et al.	
D598,530 S *	8/2009	Whitehead et al.	D23/366	2006/0242989 A1 *	11/2006	Chan	62/457.3
D638,664 S	5/2011	Mayer		2007/0012067 A1	1/2007	Kaplan	
D641,464 S *	7/2011	De Haan et al.	D23/366	2008/0272261 A1	11/2008	Morlan	
D673,253 S	12/2012	Mack		2009/0020676 A1	1/2009	Curry	
D677,994 S	3/2013	Williams		2009/0060799 A1	3/2009	Torres	
				2011/0290976 A1 *	12/2011	Kraus, Jr.	248/346.11
				2012/0223089 A1	9/2012	Moore	

* cited by examiner

FIG. 1

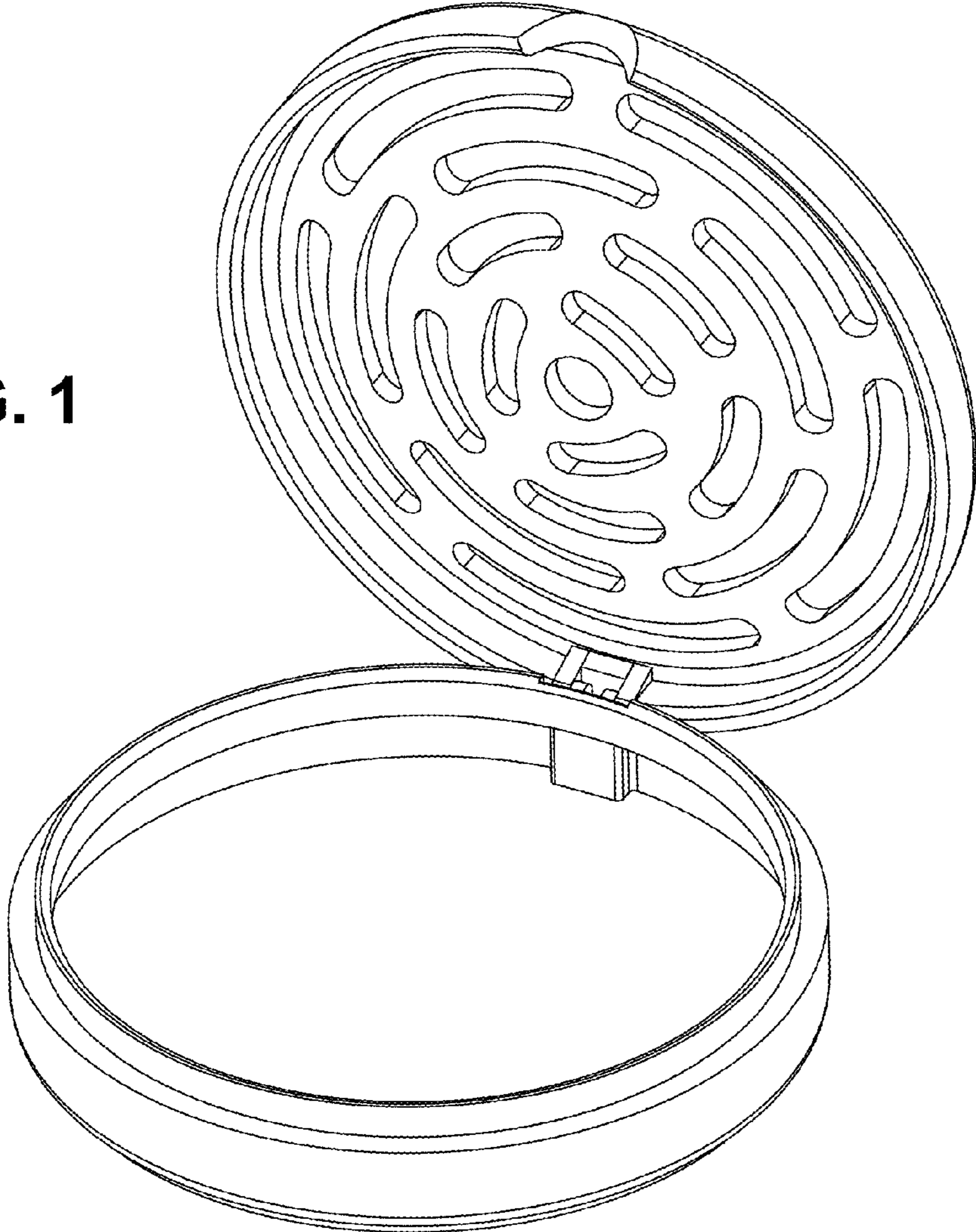
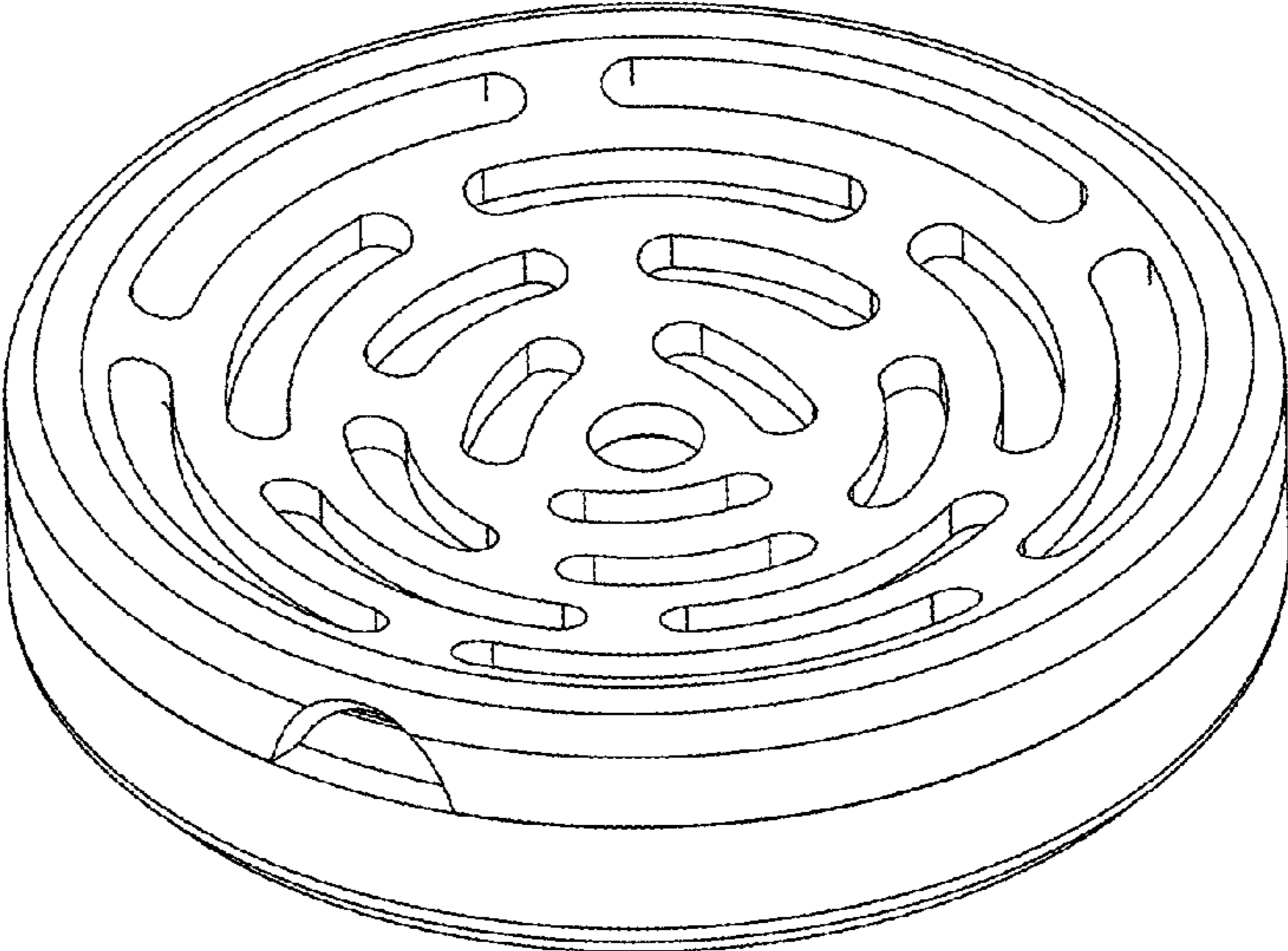


FIG. 2



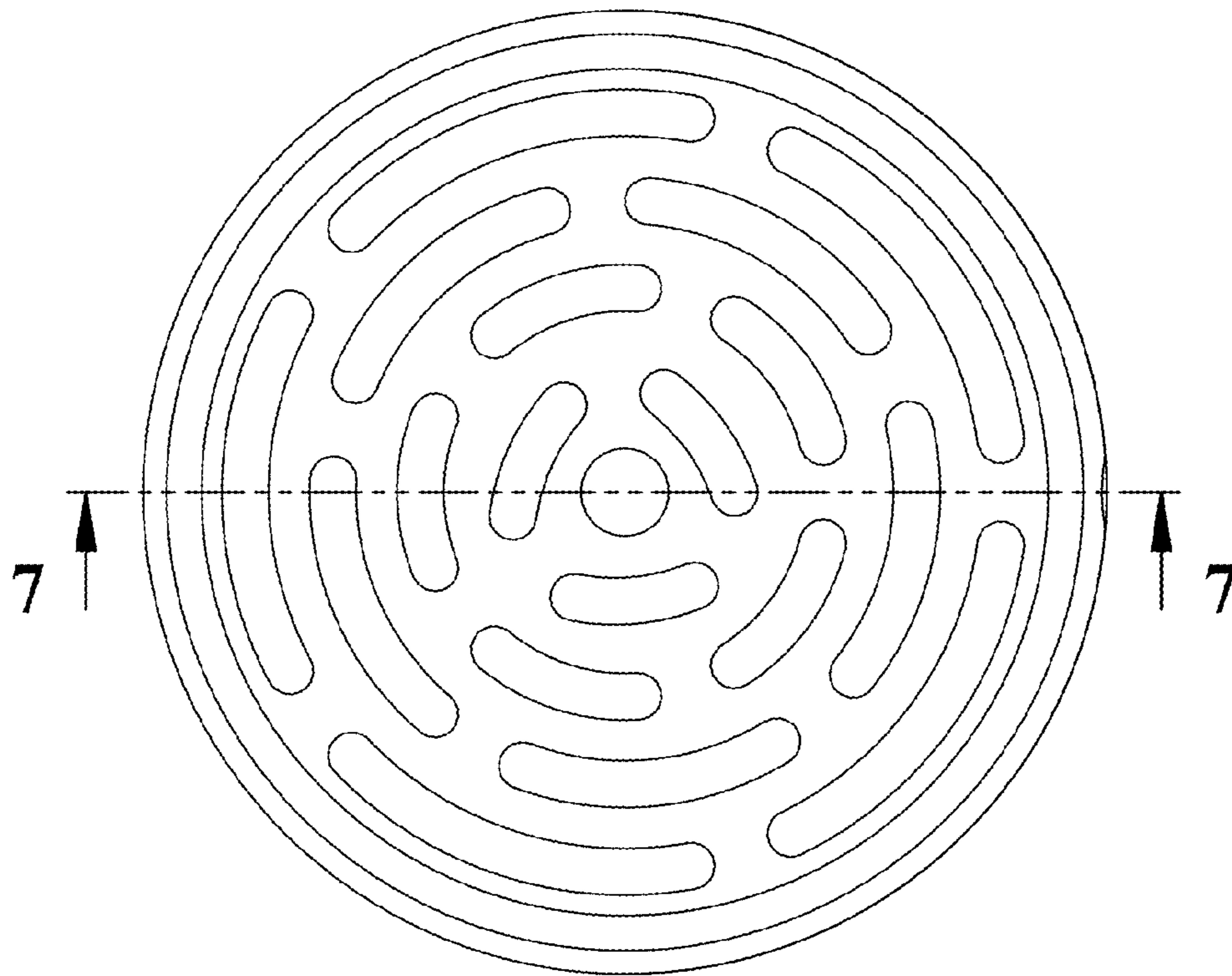


FIG. 3

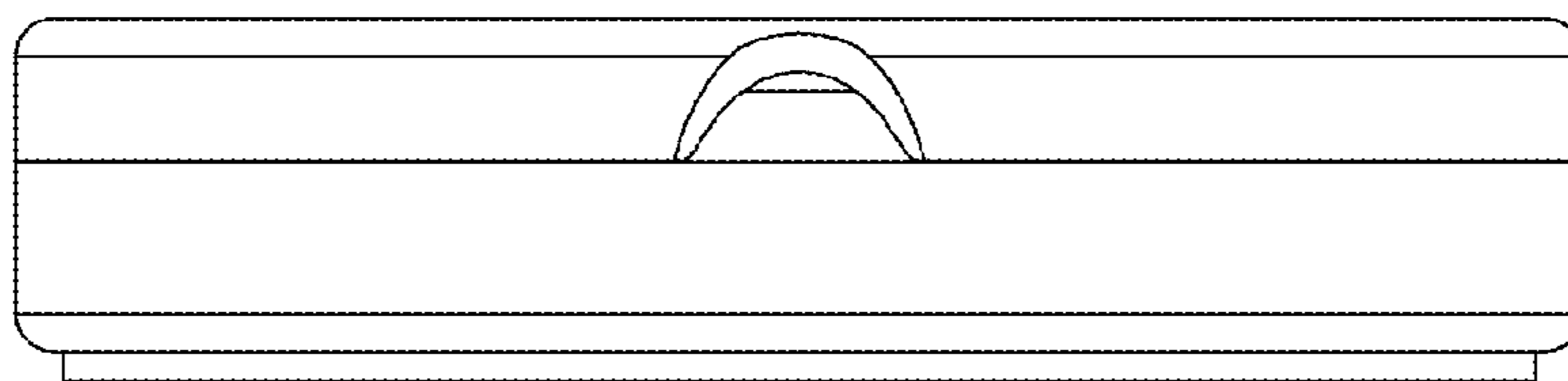


FIG. 4

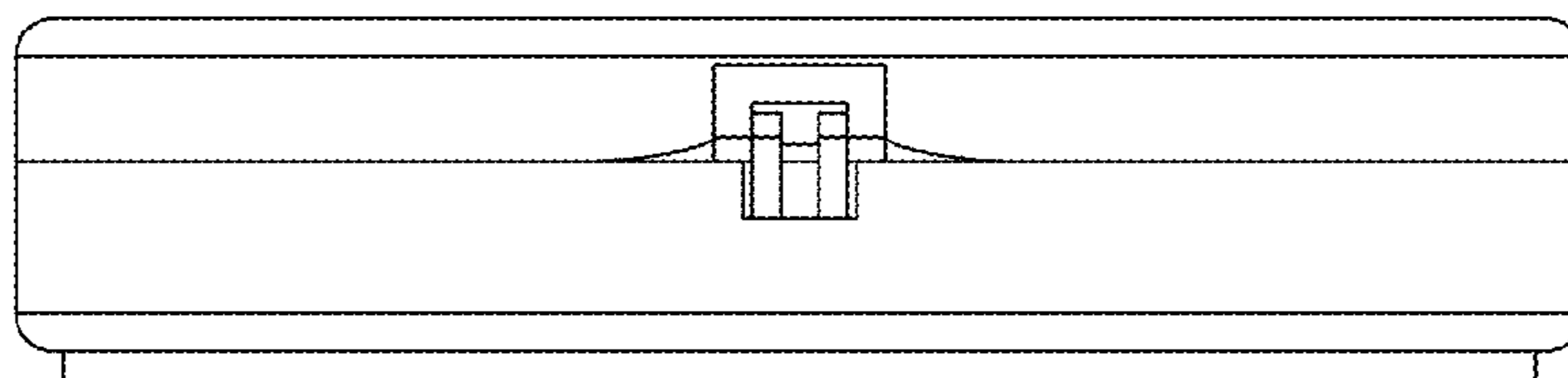


FIG. 5

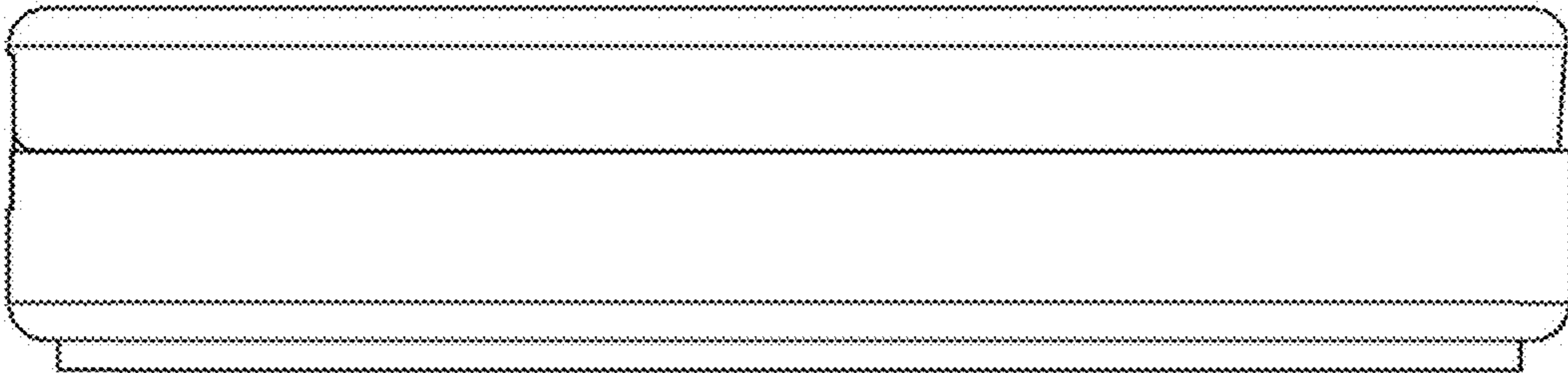


FIG. 6

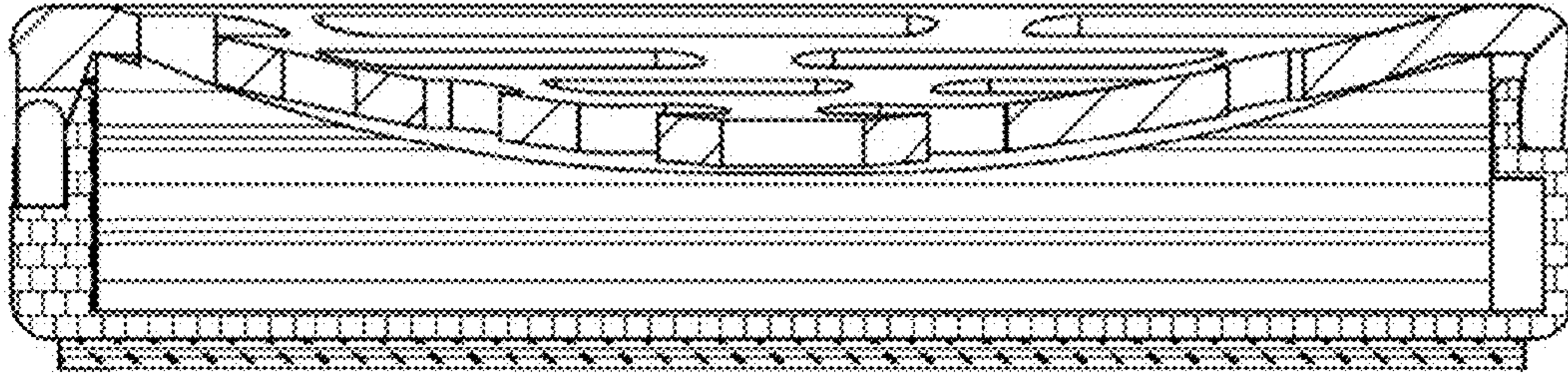


FIG. 7

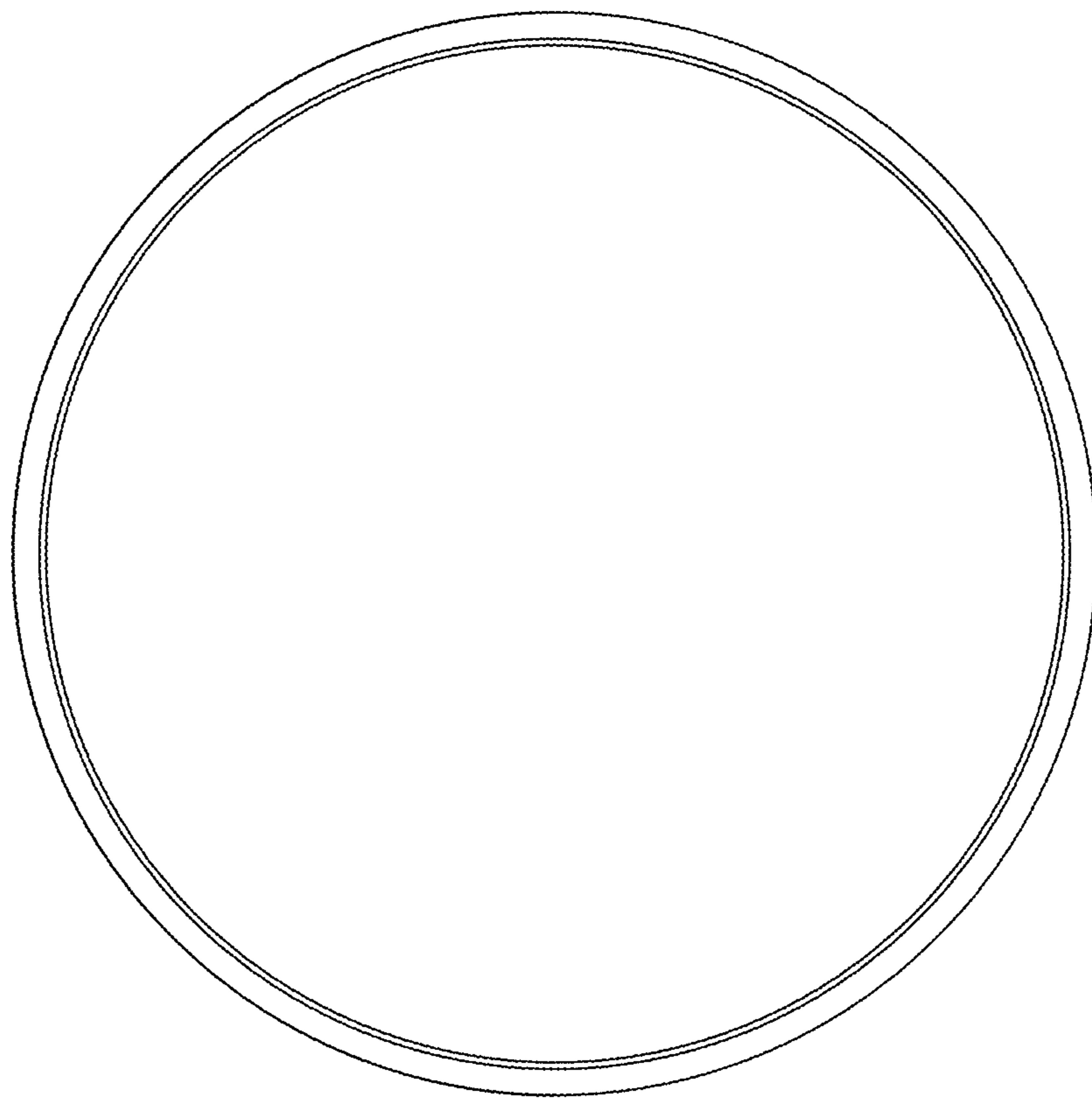


FIG. 8