



US00D738690S

(12) **United States Design Patent**
Spaulding

(10) **Patent No.:** **US D738,690 S**

(45) **Date of Patent:** **** Sep. 15, 2015**

(54) **THERMAL INSULATOR FOR A BOWL**

(71) Applicant: **Mark Spaulding**, Santa Fe, NM (US)

(72) Inventor: **Mark Spaulding**, Santa Fe, NM (US)

(**) Term: **14 Years**

(21) Appl. No.: **29/441,482**

(22) Filed: **Jan. 6, 2013**

(51) **LOC (10) Cl.** **07-01**

(52) **U.S. Cl.**

USPC **D7/607**

(58) **Field of Classification Search**

USPC D7/607, 619.1-625, 624.2, 300, 387,
D7/396.1-396.3; 62/457.1-457.9, 529,
62/530; 220/592.16, 592.17, 592.2,
220/737-739, 758, 902, 903; 150/901, 154;
224/677, 607

See application file for complete search history.

(56) **References Cited**

U.S. PATENT DOCUMENTS

5,598,946	A	2/1997	Davis	
5,842,596	A	12/1998	Renfro	
5,904,264	A *	5/1999	Yamada et al.	220/62.18
D429,447	S	8/2000	Prag	
6,152,319	A *	11/2000	Kamachi et al.	220/592.2
D442,833	S	5/2001	Shuman	

D514,897	S *	2/2006	Hoffman	D7/624.2
7,111,753	B2	9/2006	Scheetz, II et al.		
7,228,987	B2	6/2007	Jones et al.		
D605,900	S	12/2009	Bodum		
D624,366	S	9/2010	Sherron		
7,866,358	B1	1/2011	Simms, II		
D705,611	S *	5/2014	Britt et al.	D7/607

* cited by examiner

Primary Examiner — Wan Laymon

Assistant Examiner — Mark Booker

(74) *Attorney, Agent, or Firm* — John Brooks Law LLC;
John J. Brooks, III

(57) **CLAIM**

The ornamental design for a thermal insulator for a bowl, as shown and described.

DESCRIPTION

FIG. 1 is a top perspective view of a thermal insulator for a bowl showing my new design;

FIG. 2 is a front elevational view thereof, the right side, left side and rear elevational view are mirror images of the front elevational view;

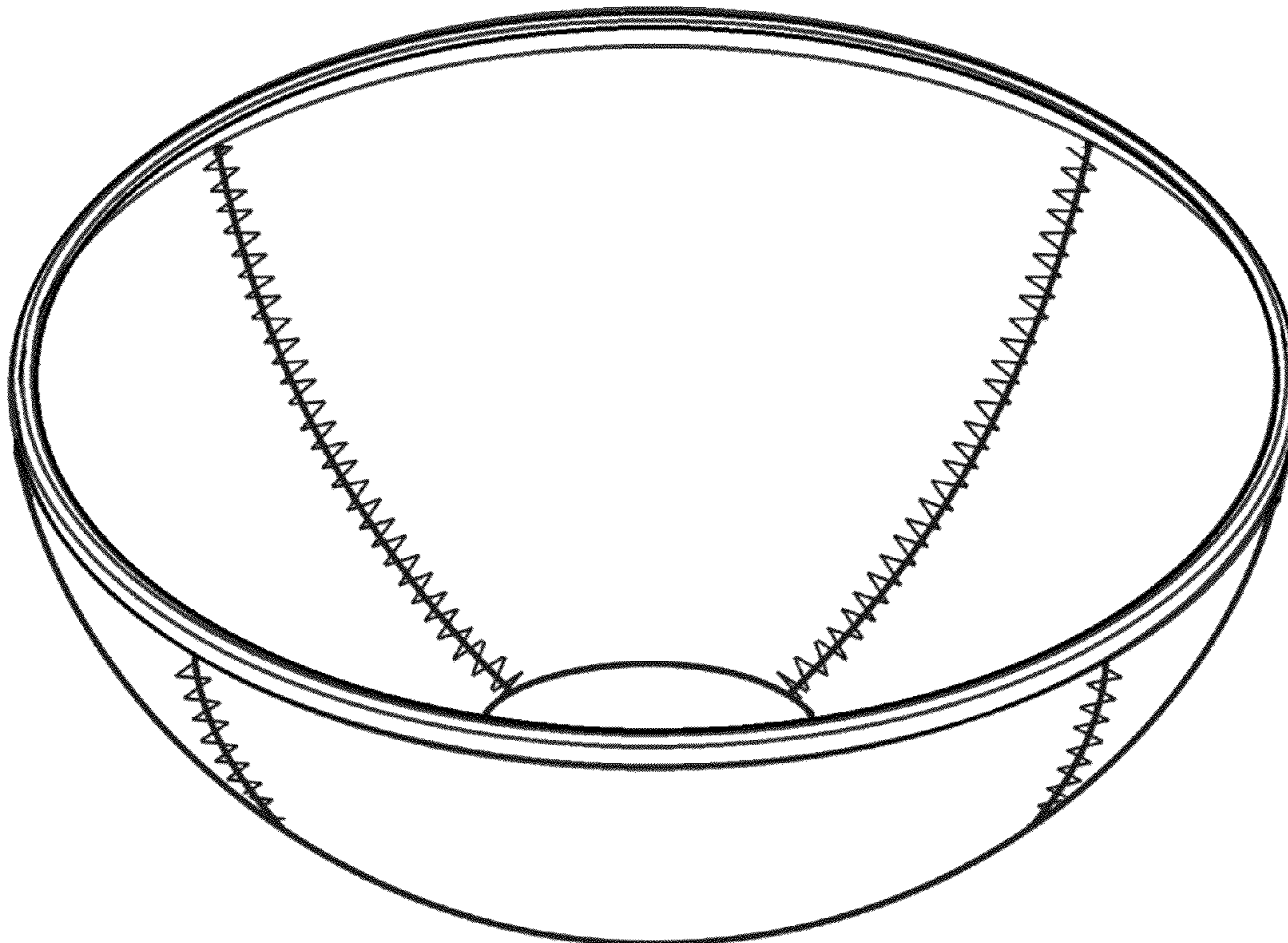
FIG. 3 is a front elevational view thereof also illustrating a bowl positioned in the thermal insulator for a bowl;

FIG. 4 is a top view thereof; and,

FIG. 5 is a bottom view thereof.

The broken lines shown and described in the figures represent portions of the thermal insulator for a bowl that form no part of the claimed design.

1 Claim, 3 Drawing Sheets



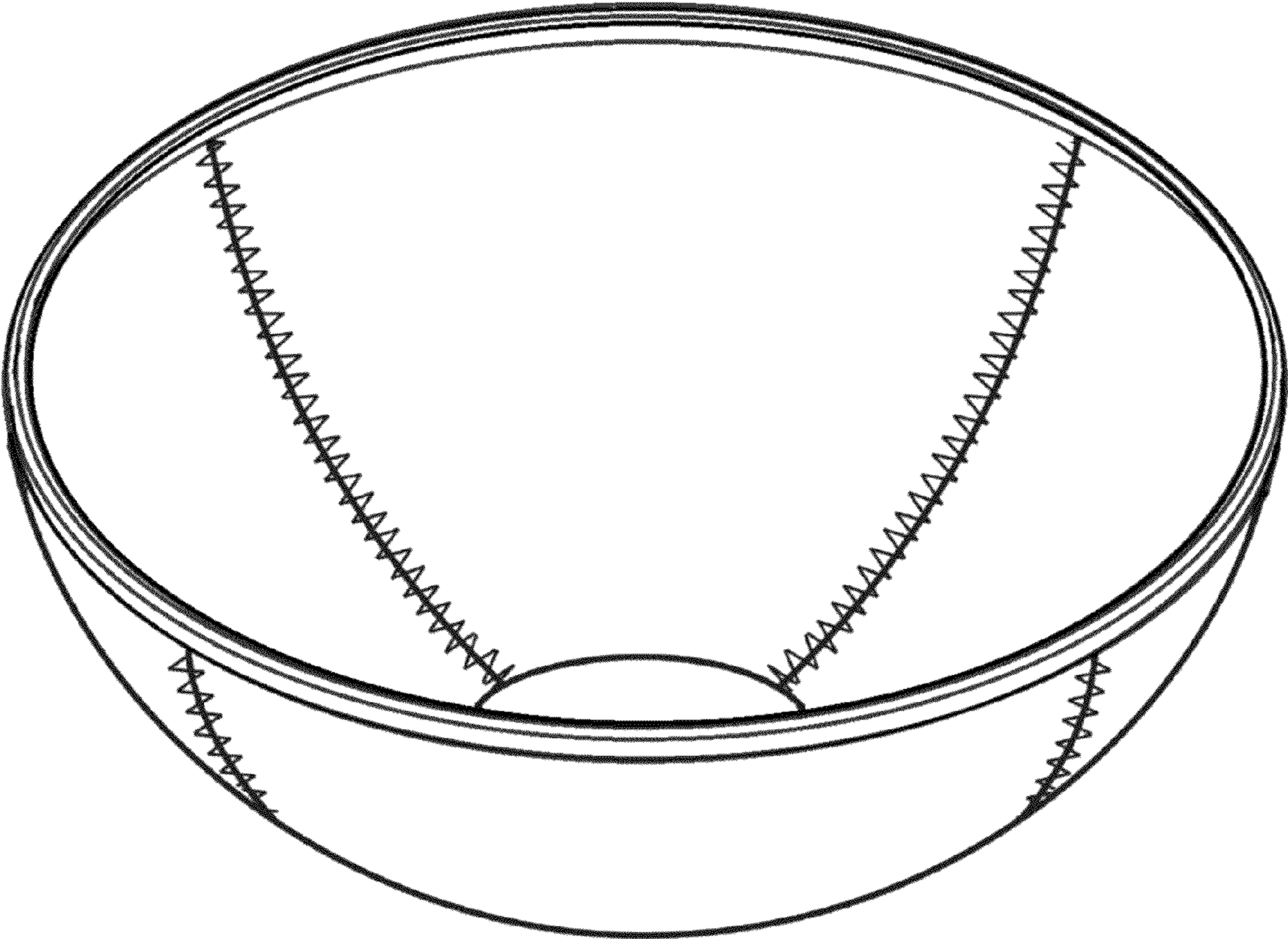


FIG. 1

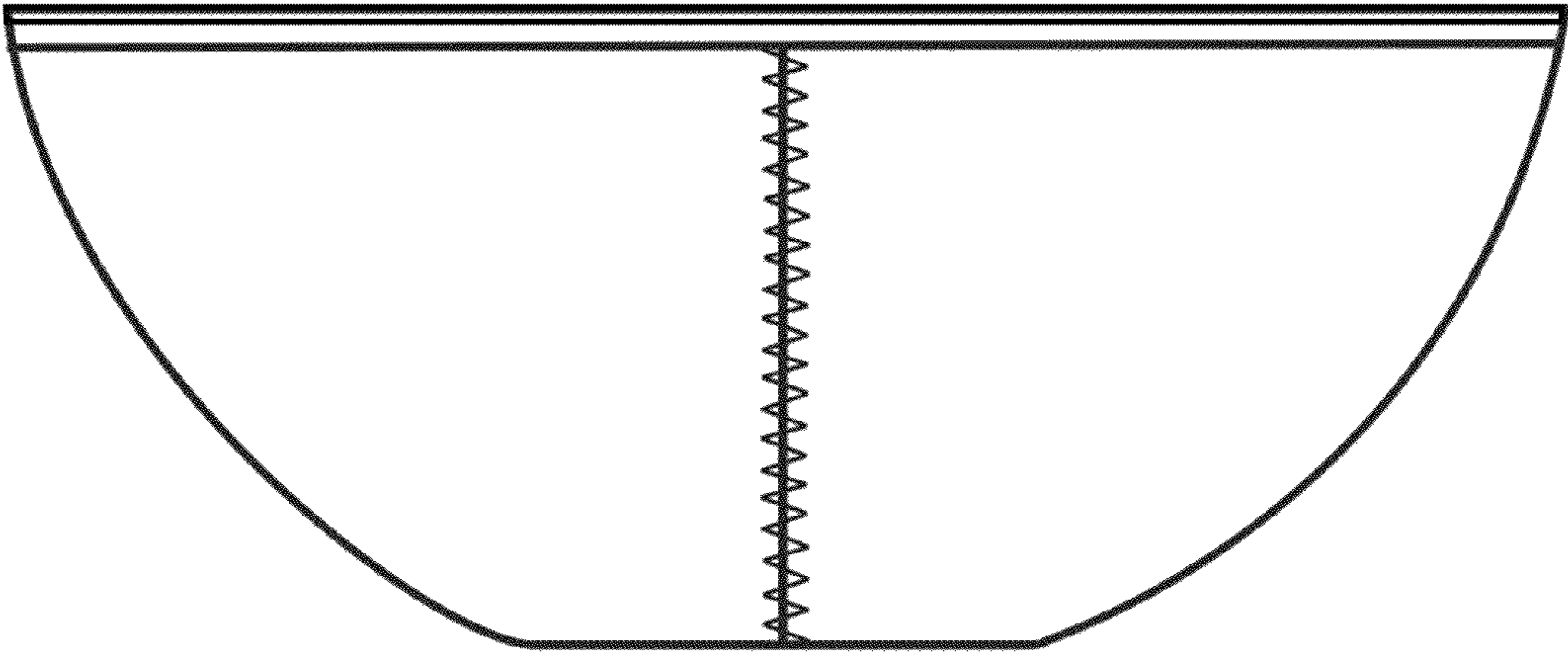


FIG. 2

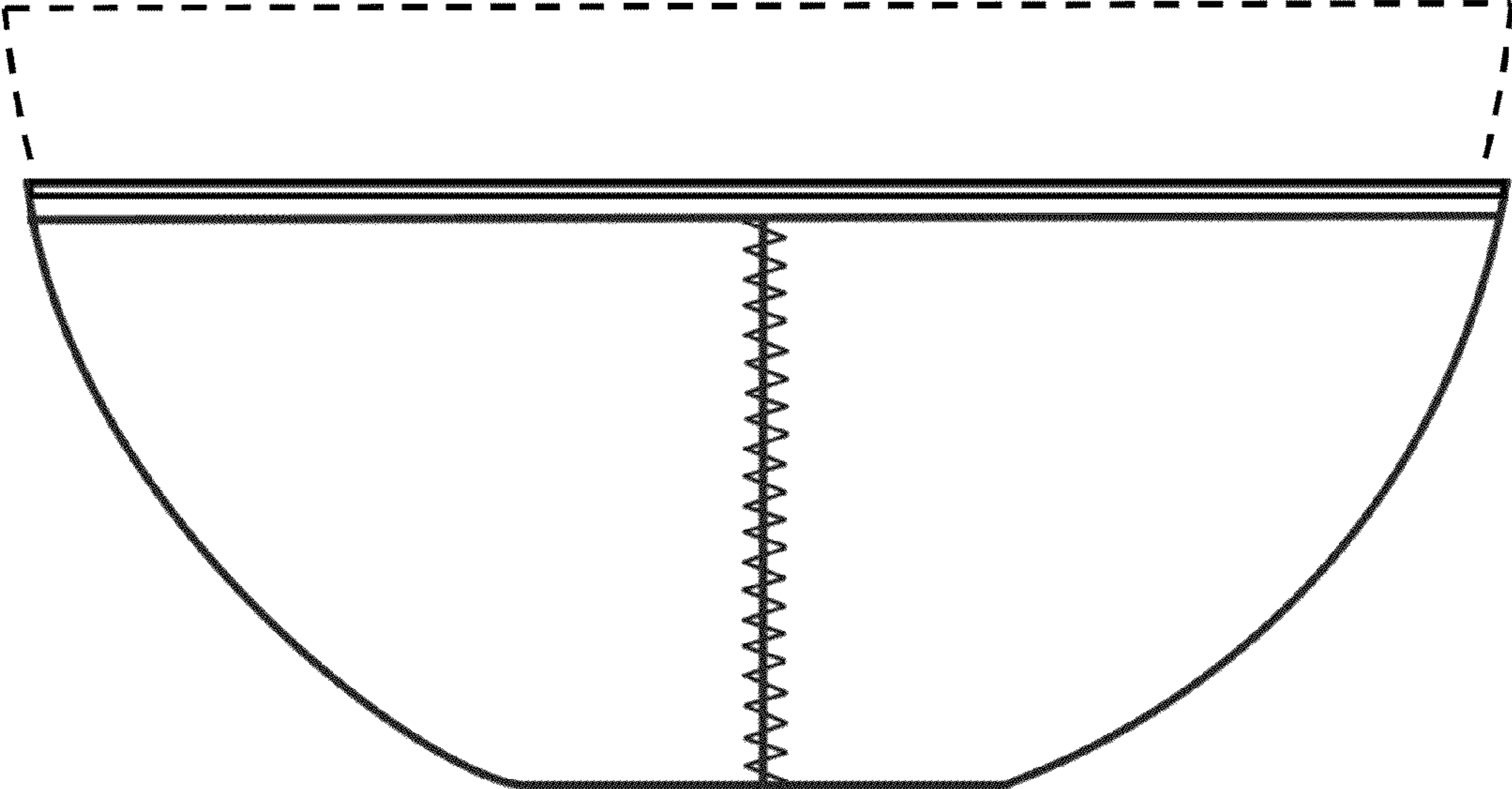


FIG. 3

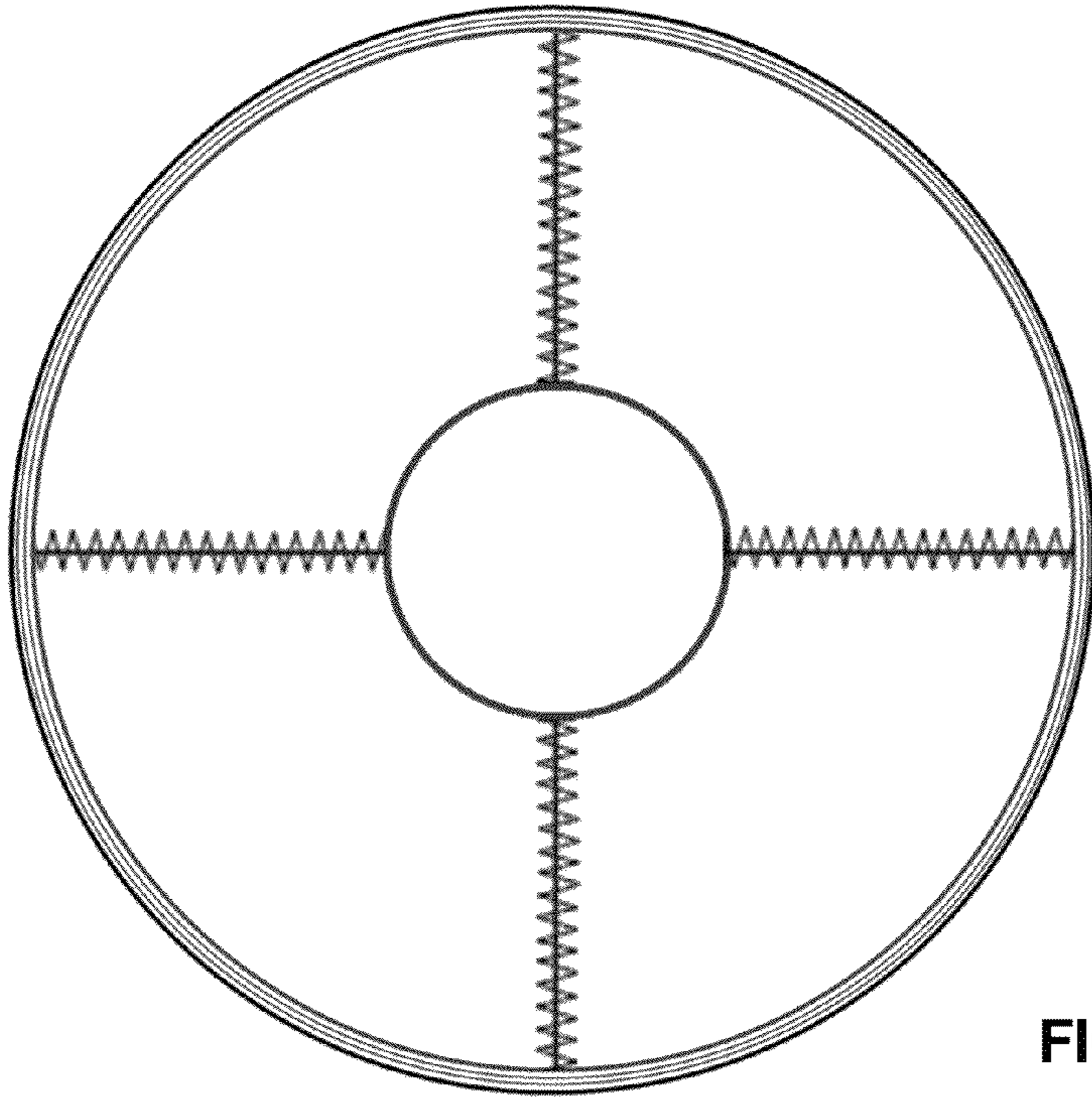


FIG. 4

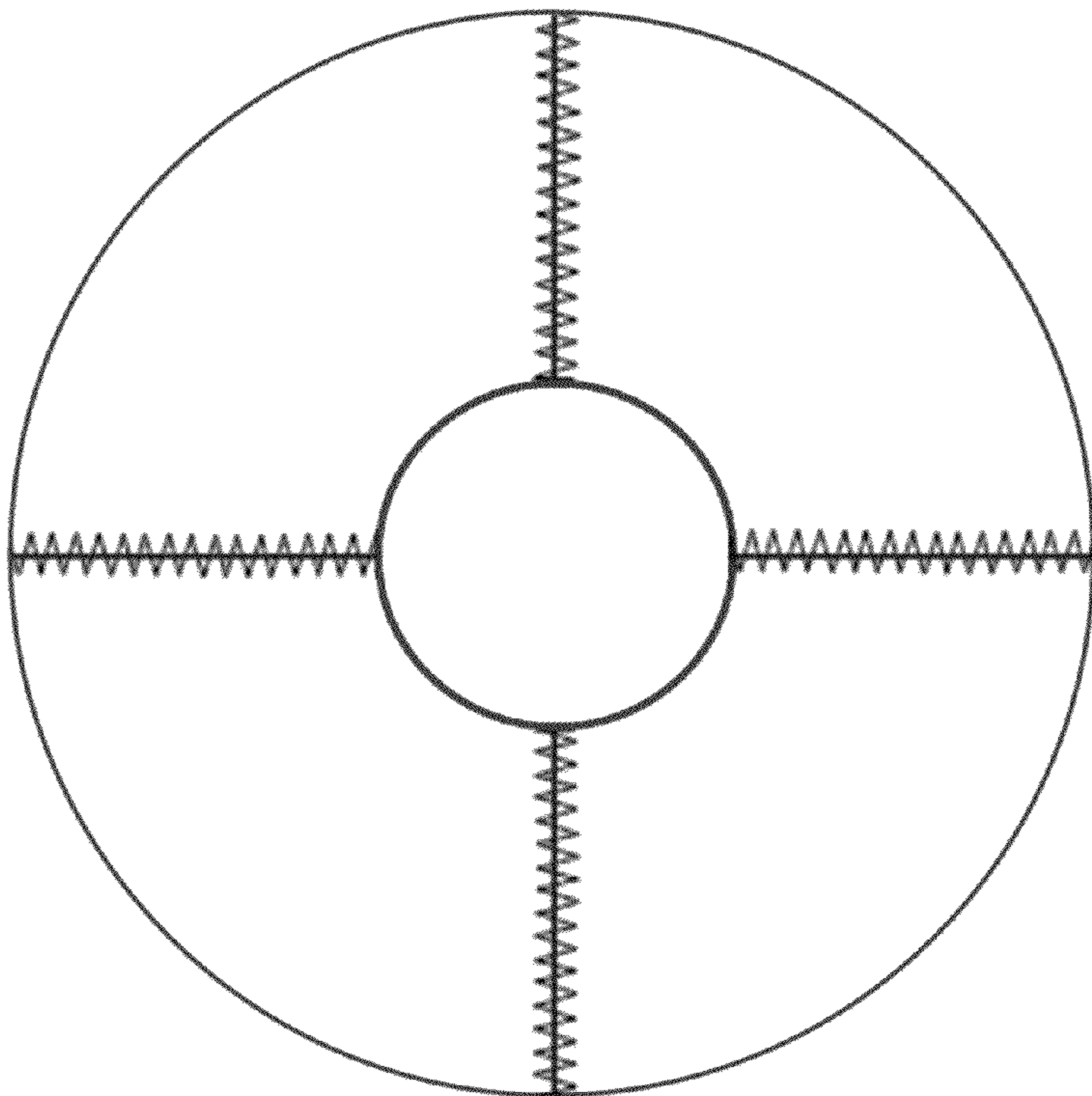


FIG. 5