



US00D738689S

(12) **United States Design Patent**
Grano de Oro

(10) **Patent No.:** **US D738,689 S**

(45) **Date of Patent:** **** Sep. 15, 2015**

(54) **MICROWAVE TRAY**

(71) Applicant: **Sam Grano de Oro**, Torrington, CT
(US)

(72) Inventor: **Sam Grano de Oro**, Torrington, CT
(US)

(**) Term: **14 Years**

(21) Appl. No.: **29/499,282**

(22) Filed: **Aug. 13, 2014**

(51) **LOC (10) Cl.** **07-02**

(52) **U.S. Cl.**
USPC **D7/554.3**

(58) **Field of Classification Search**
USPC D7/350.1, 350.3, 350.4, 351, 402-406,
D7/550.1, 554.3

CPC A47J 37/0611; A47J 37/10; A47J 36/027;
H05B 6/6426; H05B 6/642; H05B 6/6444;
A21B 3/155; A47G 19/30; A47F 5/112;
B65D 81/3453; B65D 2581/3494
See application file for complete search history.

(56) **References Cited**

U.S. PATENT DOCUMENTS

2,704,974 A * 3/1955 Steman 99/422
D224,920 S * 10/1972 Regan D7/402
D258,711 S * 3/1981 Baker et al. D7/554.3
4,870,233 A * 9/1989 McDonald et al. 219/730

5,288,962 A * 2/1994 Lorence et al. 219/729
5,770,840 A * 6/1998 Lorence 219/730
D399,702 S * 10/1998 Mishan D7/554.3
5,921,173 A * 7/1999 Grycan et al. 99/422
D432,414 S * 10/2000 Simpson et al. D9/711
6,279,469 B1 * 8/2001 Bailey 99/450
D461,995 S * 8/2002 Massaloux et al. D7/554.3
D541,584 S * 5/2007 Lorbach D7/352
8,011,292 B1 * 9/2011 Logan 99/422
D690,984 S * 10/2013 Hauser D7/359
D712,700 S * 9/2014 Bak D7/402
2006/0150827 A1 * 7/2006 Bruno et al. 99/450
2012/0091126 A1 * 4/2012 Fitzwater 219/730

* cited by examiner

Primary Examiner — Ruth McInroy

(74) *Attorney, Agent, or Firm* — Ted Paulding

(57) **CLAIM**

I claim the design in a microwave tray, as shown and described above.

DESCRIPTION

FIG. 1 is a top perspective view of a microwave tray showing my new design;

FIG. 2 is a bottom perspective view thereof;

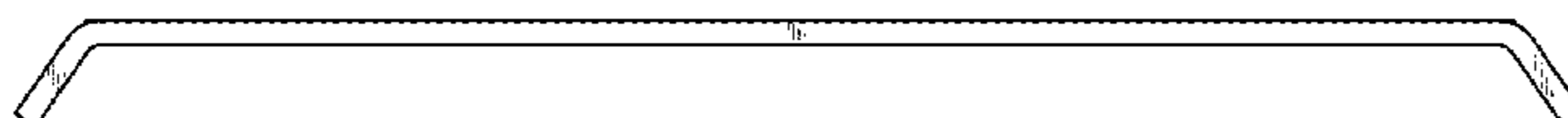
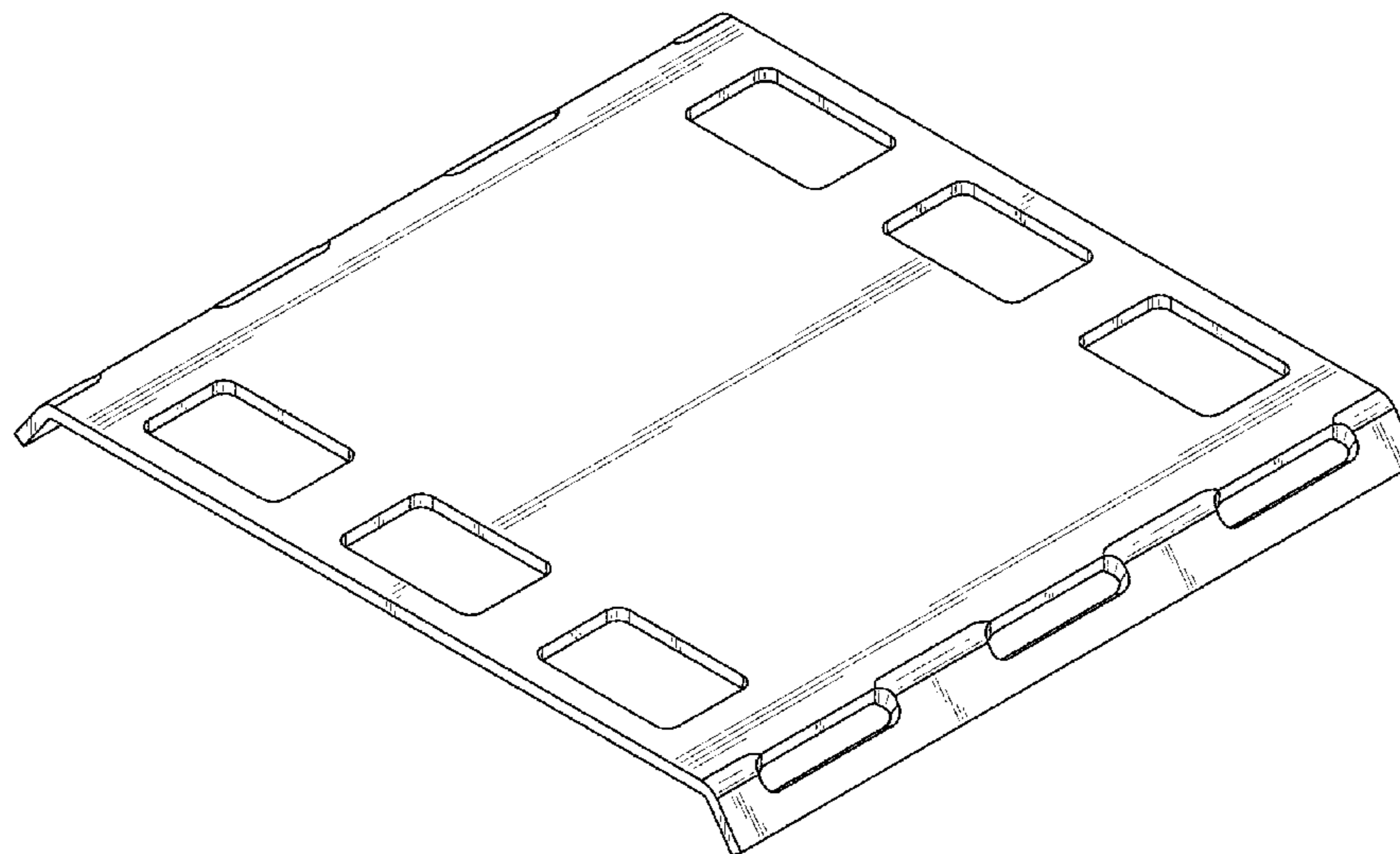
FIG. 3 is an end view thereof, the opposite end being identical;

FIG. 4 is a top view thereof;

FIG. 5 is a side view thereof, the opposite side being identical; and,

FIG. 6 is a bottom view thereof.

1 Claim, 4 Drawing Sheets



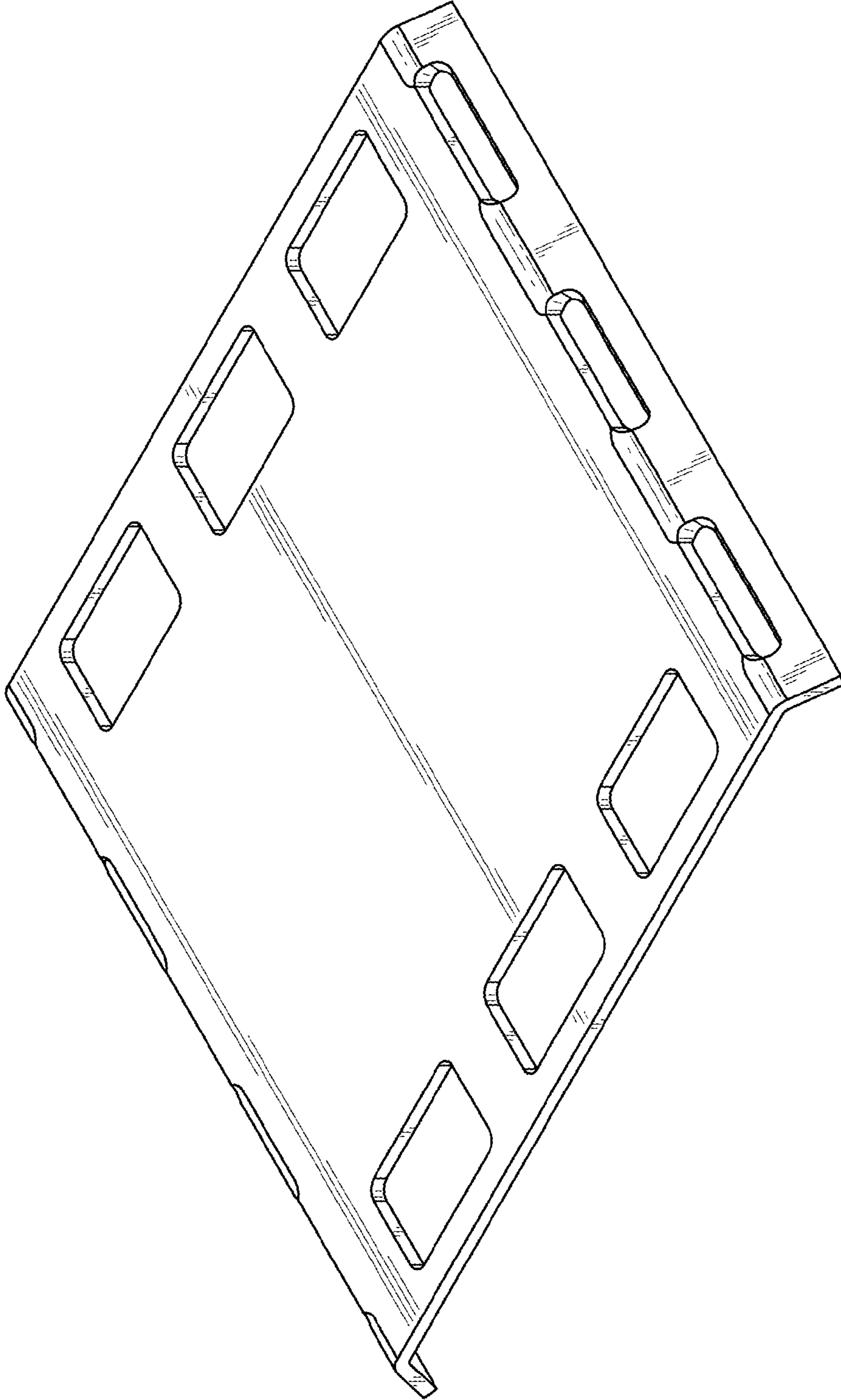


FIG. 1

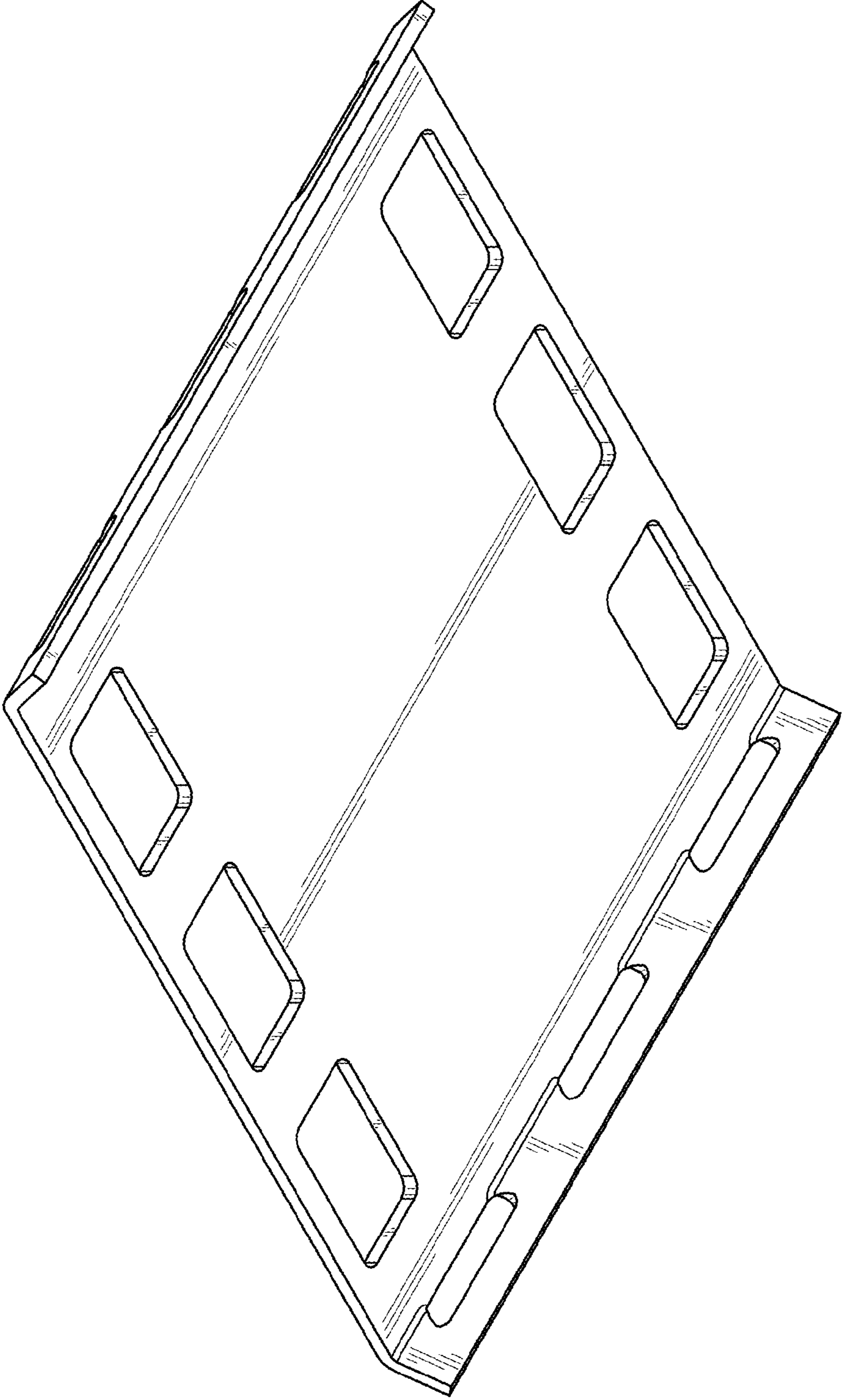


FIG. 2



FIG. 3

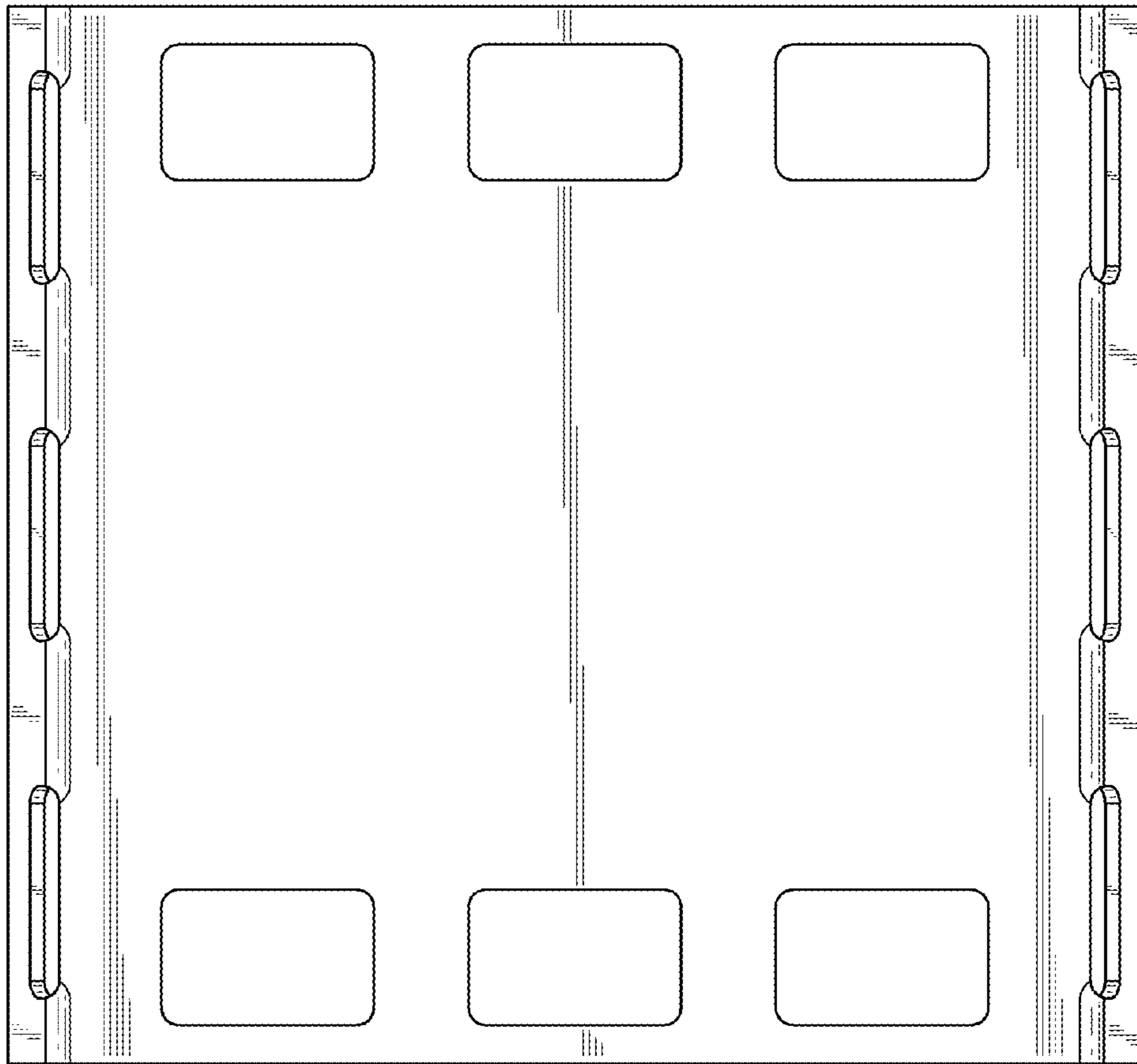


FIG. 4

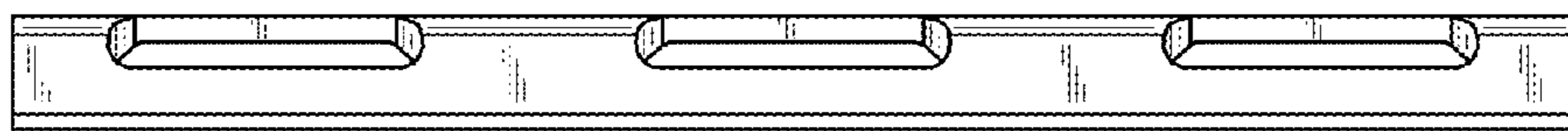


FIG. 5

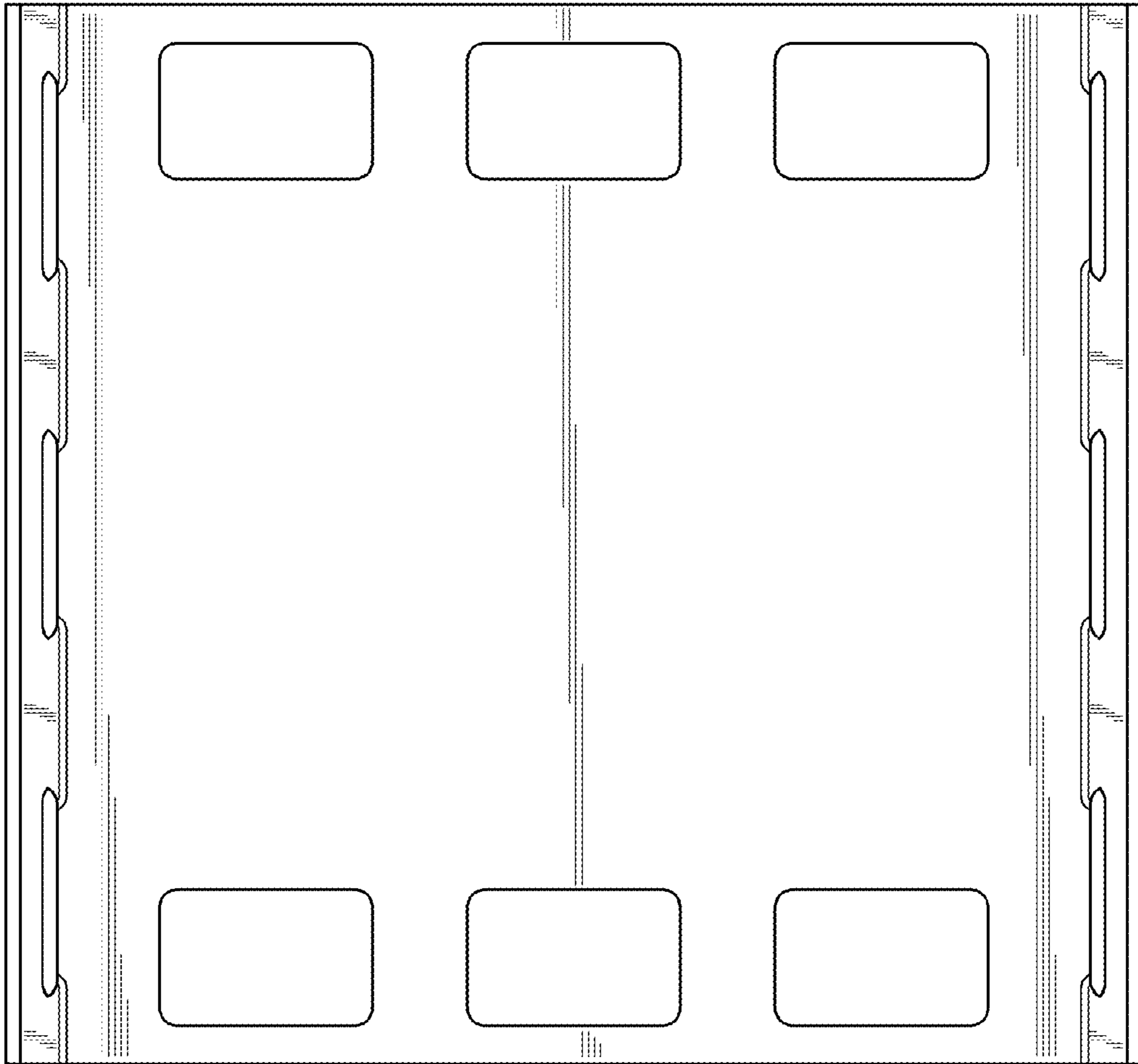


FIG. 6