

US00D738685S

(12) **United States Design Patent**  
**Sands**

(10) **Patent No.:** **US D738,685 S**  
(45) **Date of Patent:** **\*\* Sep. 15, 2015**

- (54) **BLENDER VESSEL**
- (71) Applicant: **HOMELAND HOUSEWARES, LLC**,  
Los Angeles, CA (US)
- (72) Inventor: **Lenny Sands**, Los Angeles, CA (US)
- (73) Assignee: **Homeland Housewares, LLC**, Los  
Angeles, CA (US)
- (\*\*) Term: **14 Years**
- (21) Appl. No.: **29/491,998**
- (22) Filed: **May 27, 2014**
- (51) **LOC (10) Cl.** ..... **31-00**
- (52) **U.S. Cl.**  
USPC ..... **D7/413; D7/376; D7/378; D7/412**
- (58) **Field of Classification Search**  
USPC ..... **D7/372, 376-386, 412-413, 507, 602,**  
**D7/629, 665-666, 669, 679, 693-694**  
CPC ..... **A21C 1/02; A21C 1/04; A23N 1/00;**  
**A23N 1/02; A47J 43/04; A47J 43/25; A47J**  
**43/27; A47J 43/042; A47J 43/044; A47J**  
**43/046; A47J 43/075; A47J 43/0722; A47J**  
**43/0727; B01F 3/00; B01F 3/0807; B01F**  
**3/0853; B01F 13/0059; B01F 13/0064;**  
**B02C 1/08; B02C 2/04; B02C 4/42; B02C**  
**4/142; B02C 4/143; B02C 4/423; B02C**  
**13/1835; B28C 5/10; B28C 5/12; B28C 5/14;**  
**B28C 5/16; C02F 1/003**  
See application file for complete search history.

D339,715	S *	9/1993	Barrault	.....	D7/378
D347,966	S *	6/1994	Doggett	.....	D7/378
5,338,111	A	8/1994	Trocherie et al.		
D386,357	S *	11/1997	Davidson	.....	D7/413
6,350,053	B1	2/2002	Morin		
6,513,966	B1	2/2003	Gort-Barten et al.		
6,513,967	B2	2/2003	Masip et al.		
6,540,394	B2	4/2003	Juriga		
6,554,466	B1	4/2003	Lee		
6,629,492	B1 *	10/2003	Li	.....	99/337
6,637,681	B1	10/2003	Planca et al.		
6,948,670	B2	9/2005	Kujawski et al.		
D512,265	S *	12/2005	McCurrach	.....	D7/378
D548,522	S *	8/2007	Greenspon	.....	D7/507
D548,523	S *	8/2007	Greenspon	.....	D7/507
7,318,666	B1	1/2008	Lin		
7,641,380	B2	1/2010	Behar et al.		
7,677,485	B2	3/2010	Gursel		
D618,049	S *	6/2010	Wu	.....	D7/378
7,909,501	B2	3/2011	Eden		
D637,863	S *	5/2011	Wu	.....	D7/378
D637,864	S *	5/2011	Wu	.....	D7/378
8,066,426	B2 *	11/2011	Sandford et al.	.....	366/205
8,122,821	B2	2/2012	Sands		
8,132,752	B1	3/2012	Hotaling et al.		
D663,586	S	7/2012	Audette		

**FOREIGN PATENT DOCUMENTS**

EP	1859910	A1	11/2007
EP	1682314	A4	5/2008
WO	WO9901519		3/2000
WO	PCT/AU2011/001542		6/2002
WO	WO2007003945		10/2007
WO	PCT/US2009/043571		11/2009

**OTHER PUBLICATIONS**

- U.S. Appl. No. 10/855,274, filed Jan. 12, 2006, Fernandez et al.
- U.S. Appl. No. 13/284,882, filed May 3, 2012, Sands.
- U.S. Appl. No. 13/501,809, filed Sep. 27, 2012, Santos.

(56) **References Cited**

**U.S. PATENT DOCUMENTS**

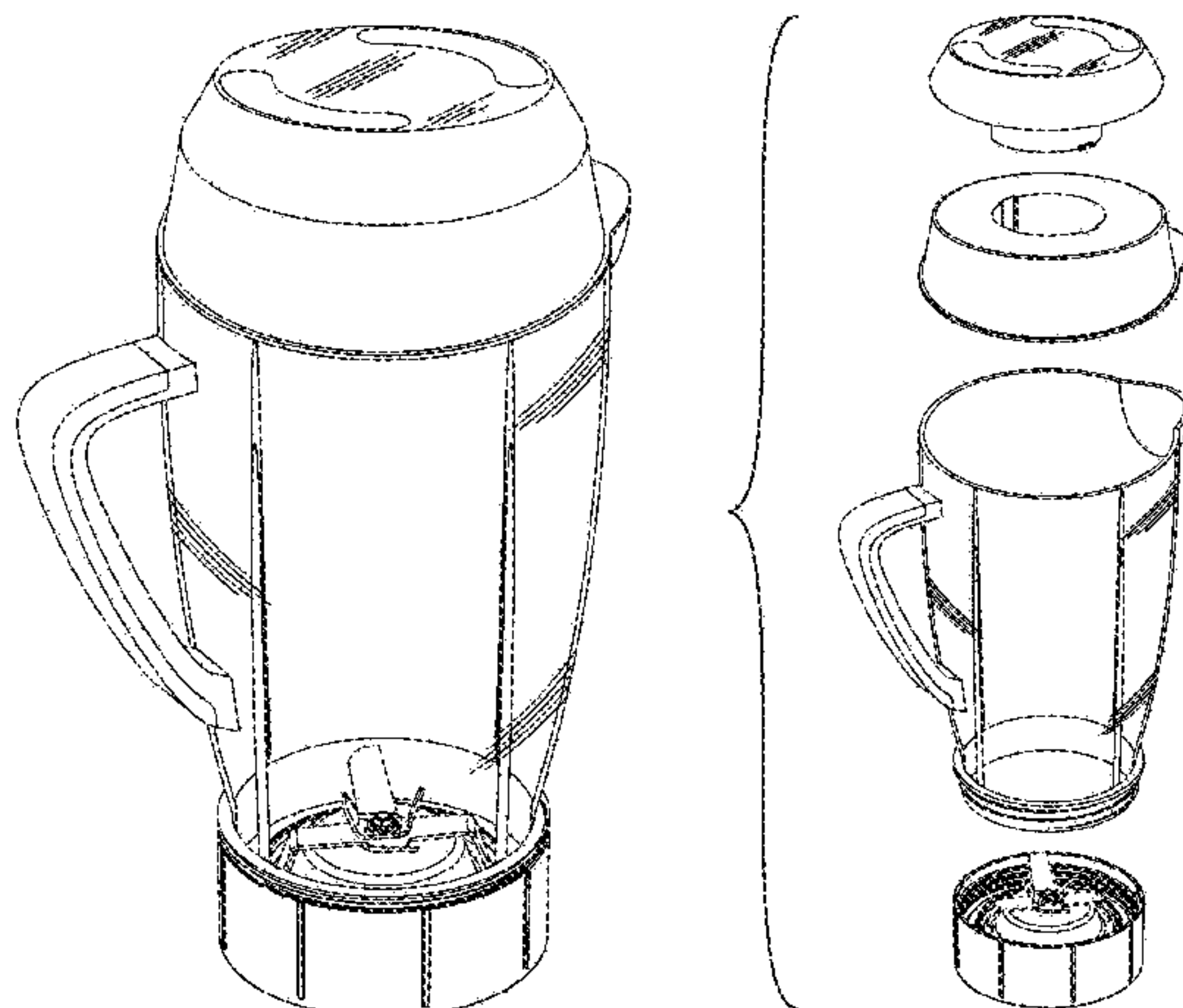
D204,117	S *	3/1966	Di Sesa	.....	D7/378
3,785,579	A	1/1974	Voglesonger et al.		
4,095,123	A	6/1978	Takahashi		
4,111,372	A	9/1978	Hicks et al.		
4,396,159	A	8/1983	Podell		
4,706,896	A	11/1987	Moon-Kau		
4,741,482	A	5/1988	Coggiola et al.		
4,817,878	A	4/1989	Shibata		
5,225,078	A *	7/1993	Polasky et al.	.....	210/264

\* cited by examiner

*Primary Examiner* — Ricky Pham  
(74) *Attorney, Agent, or Firm* — Trojan Law Offices

(57) **CLAIM**

The ornamental design for a blender vessel, as shown and described.



**DESCRIPTION**

FIG. 1 is a perspective view of a blender vessel showing my new design;

FIG. 2 is an exploded perspective view of the blender vessel shown in FIG. 1. The blender vessel comprises a cap, a collar, a housing with a handle, and a blade base showing a blade in broken lines.

FIG. 3 is the top view of the blender vessel's cap shown in FIG. 2.

FIG. 4 is the bottom view of the blender vessel's cap shown in FIG. 2.

FIG. 5 is a side view of the cap shown in FIGS. 3 and 4.

FIG. 6 is another side view of the cap shown in FIG. 5 when the cap is turned 90 degree.

FIG. 7 is the top view of the blender vessel's collar shown in FIG. 2.

FIG. 8 is the bottom view of the blender vessel's collar shown in FIG. 2.

FIG. 9 is the left side view of the collar shown in FIGS. 7 and 8.

FIG. 10 is the right side view of the collar shown in FIGS. 7 and 8.

FIG. 11 is the front side view of the collar shown in FIGS. 7 and 8.

FIG. 12 is the back side view of the collar shown in FIGS. 7 and 8.

FIG. 13 is the top view of the blender vessel's housing shown in FIG. 2.

FIG. 14 is the bottom view of the blender vessel's housing shown in FIG. 2.

FIG. 15 is the left side view of the housing shown in FIGS. 13 and 14.

FIG. 16 is the front side view of the housing shown in FIGS. 13 and 14.

FIG. 17 is the right side view of the housing shown in FIGS. 13 and 14; and,

FIG. 18 is the back side view of the housing shown in FIGS. 13 and 14.

The broken lines are for illustrative purpose only and form no part of the claimed design.

**1 Claim, 10 Drawing Sheets**

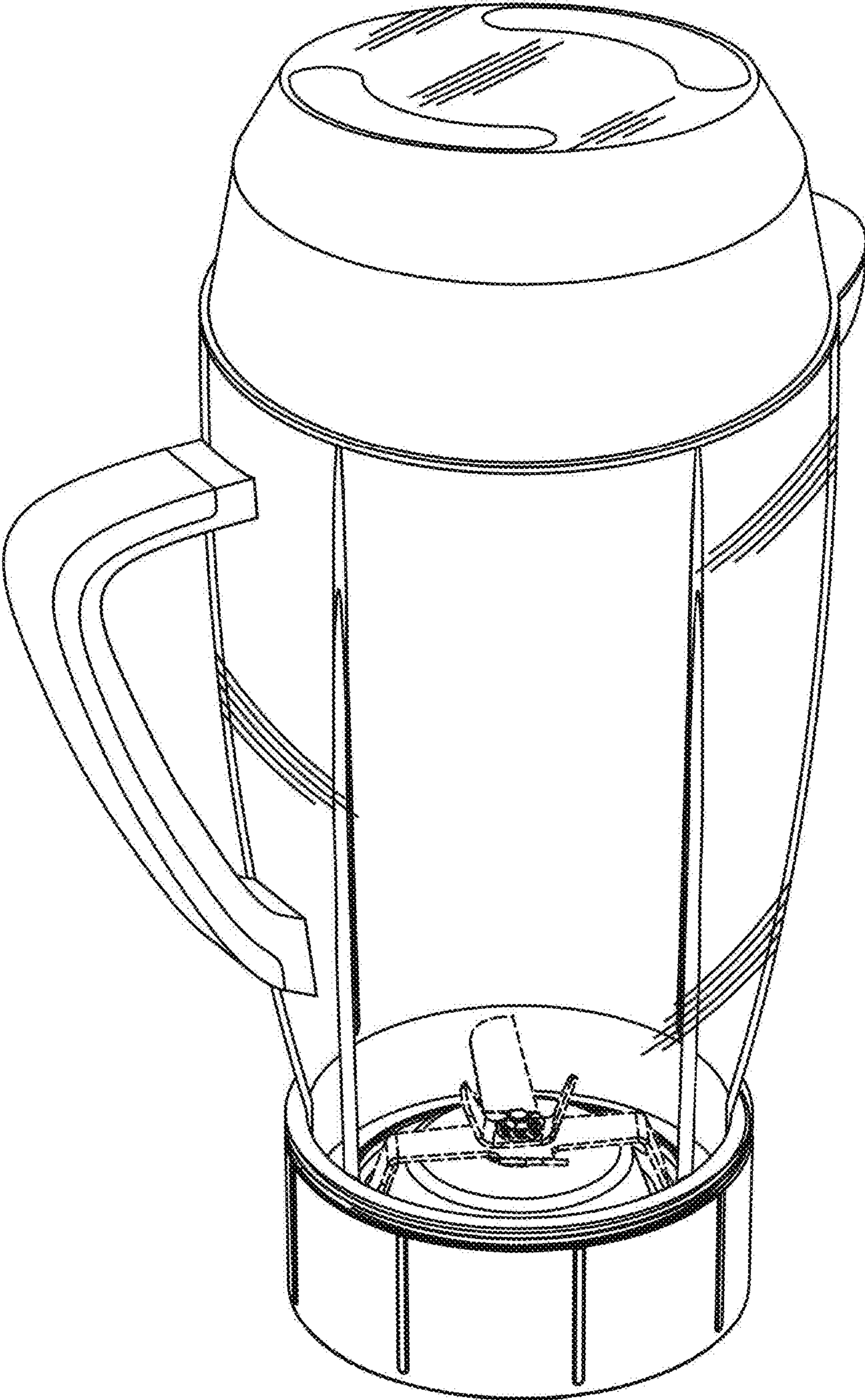


Fig. 1



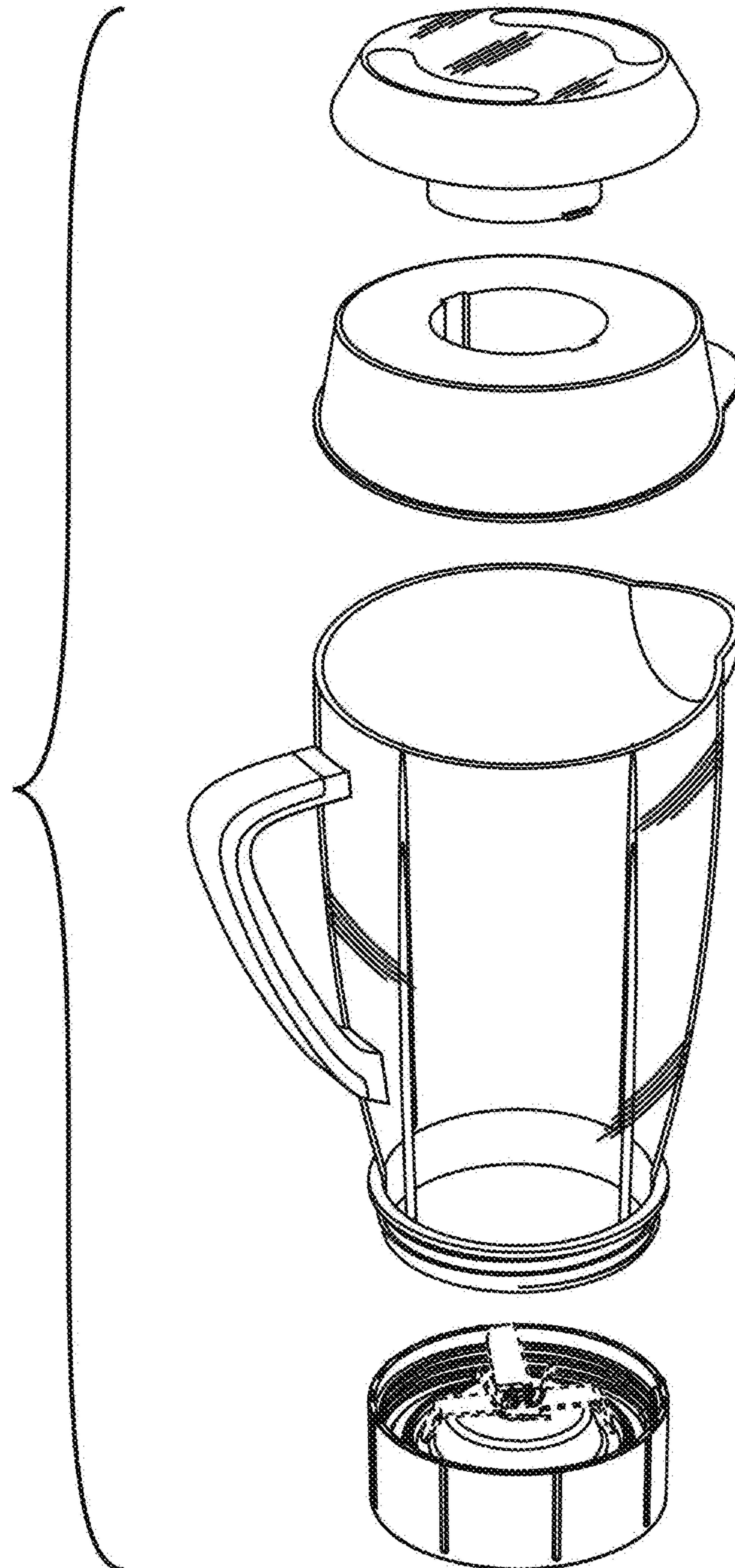


Fig. 2

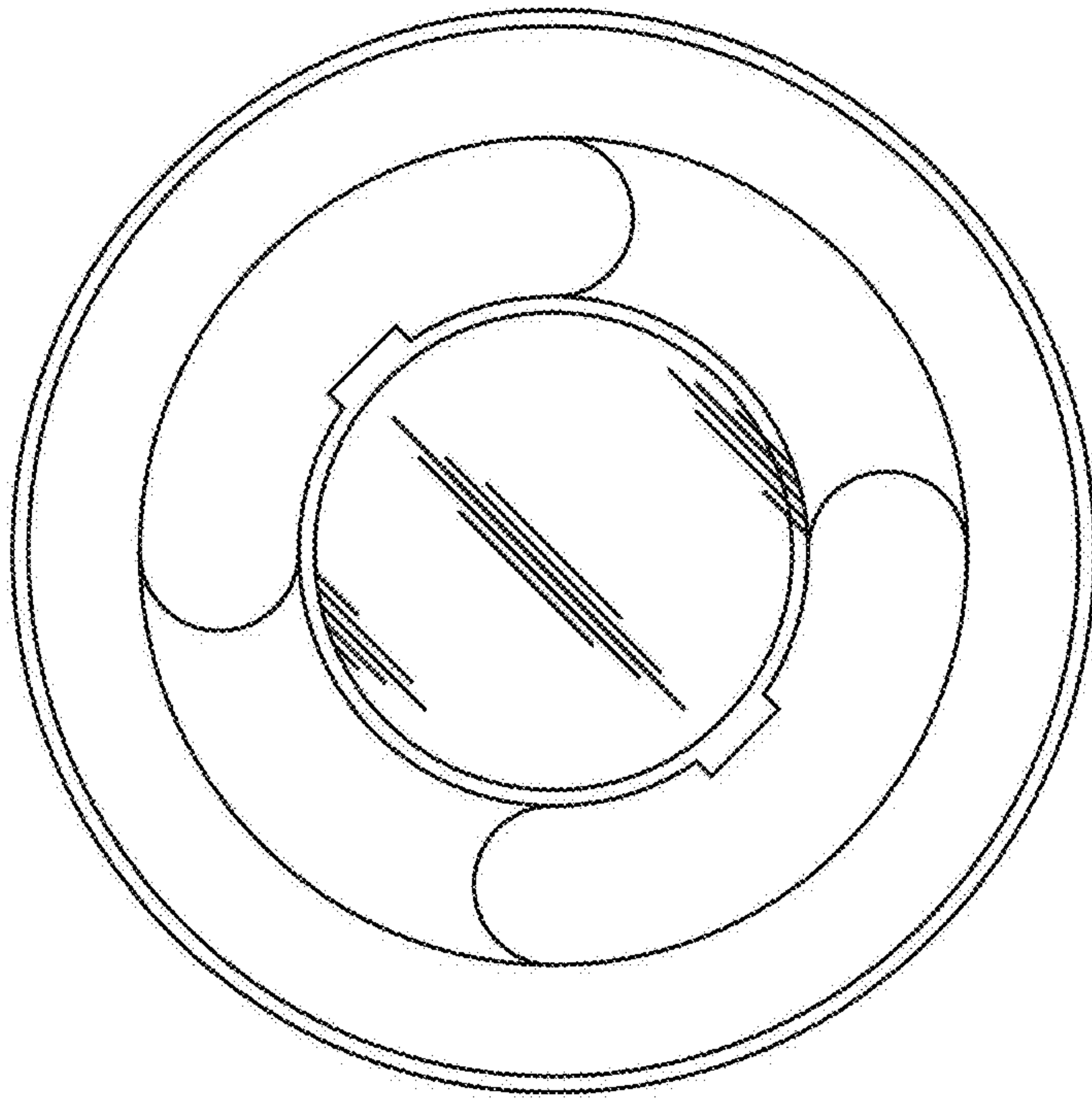


Fig. 4

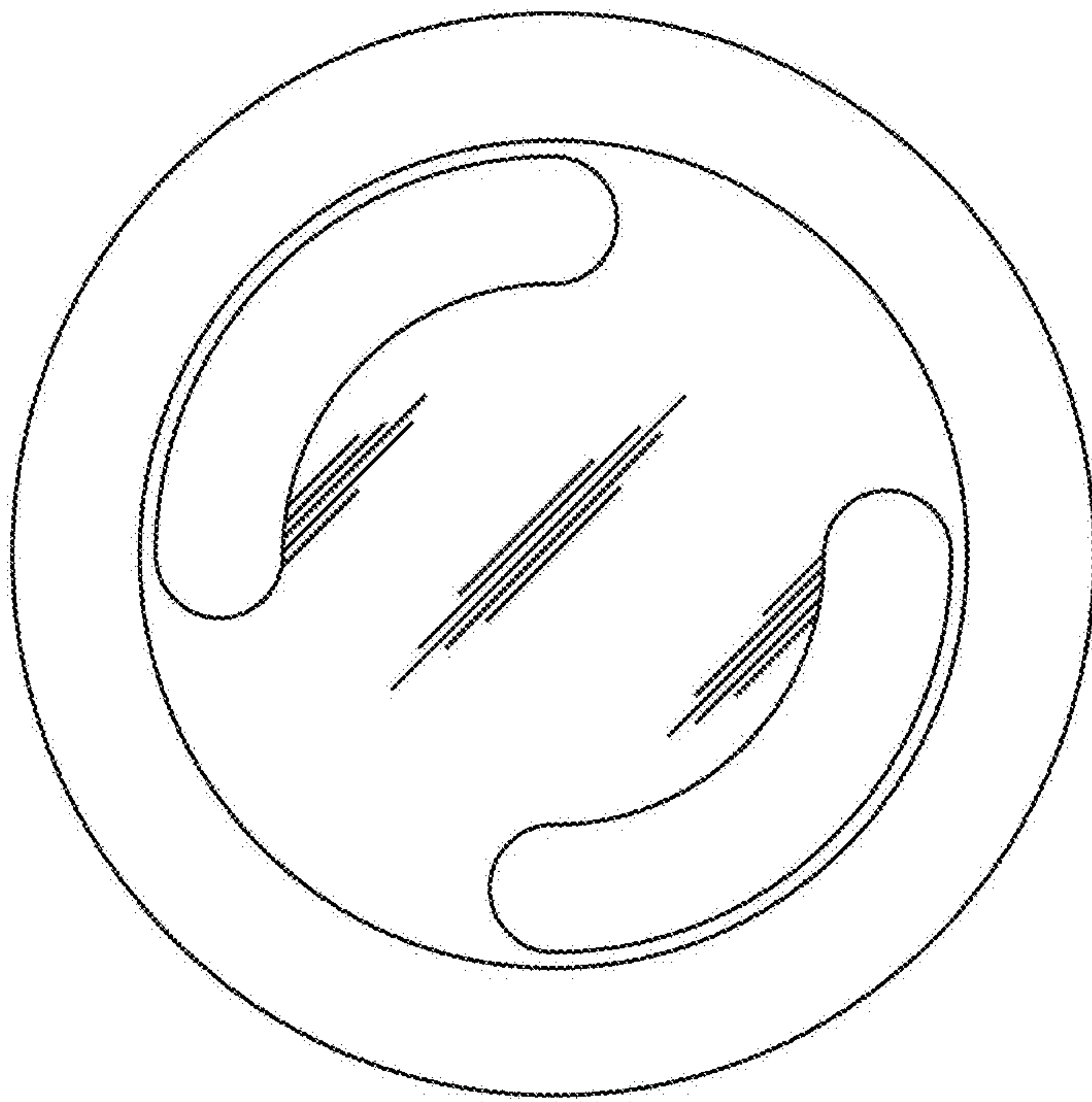


Fig. 3

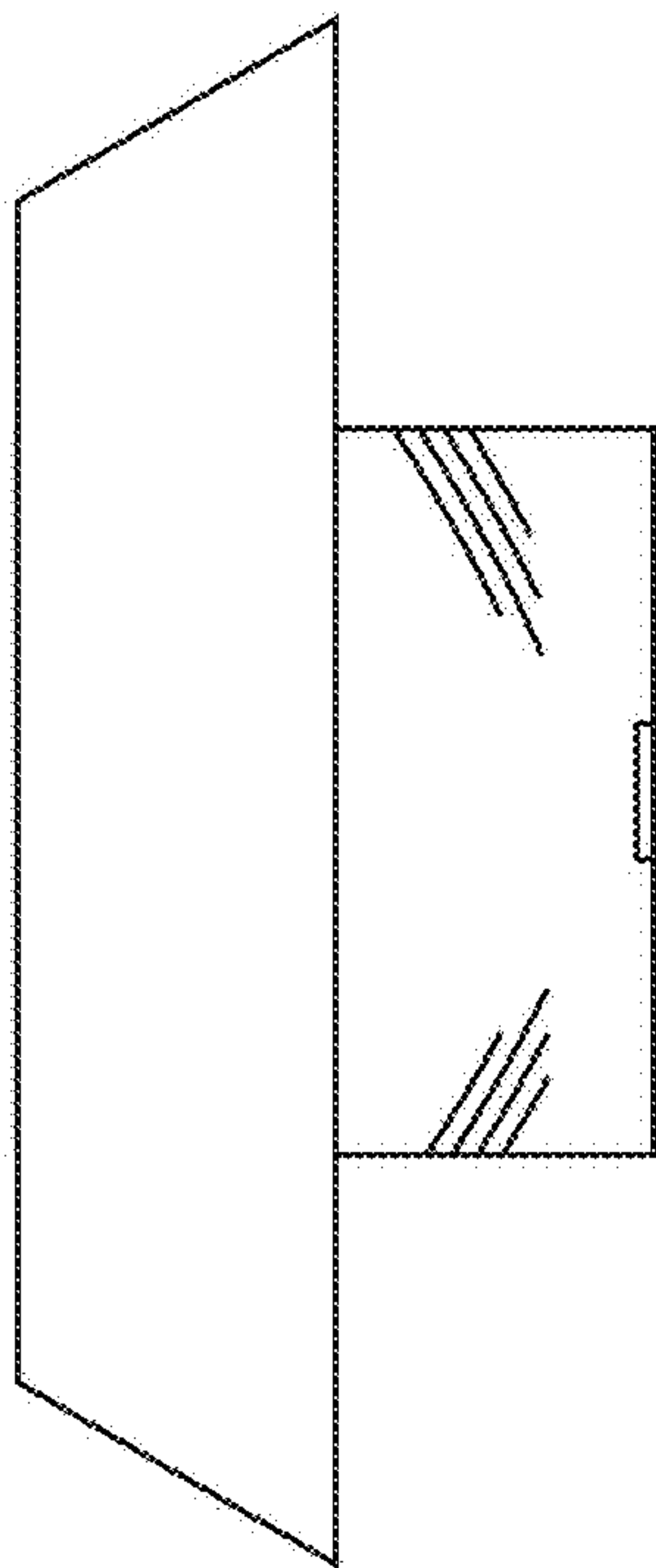


Fig. 6

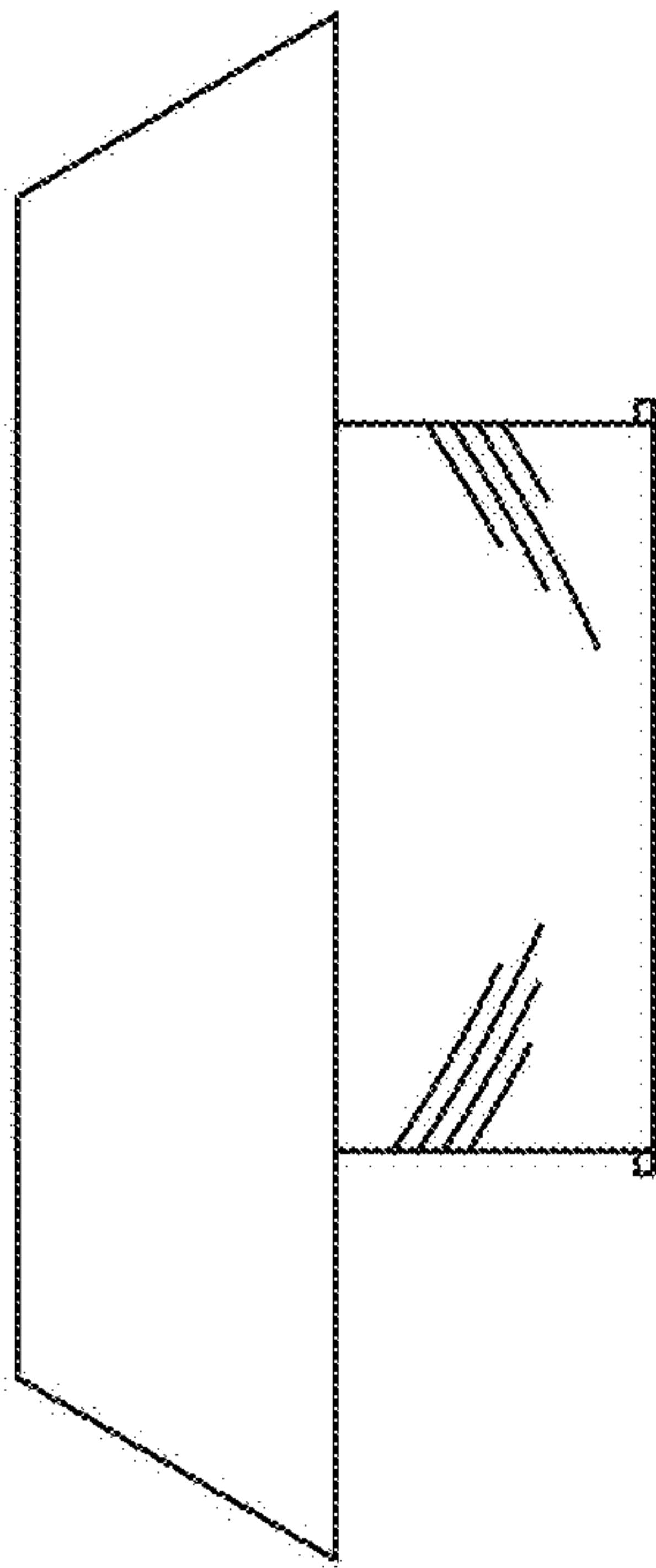


Fig. 5

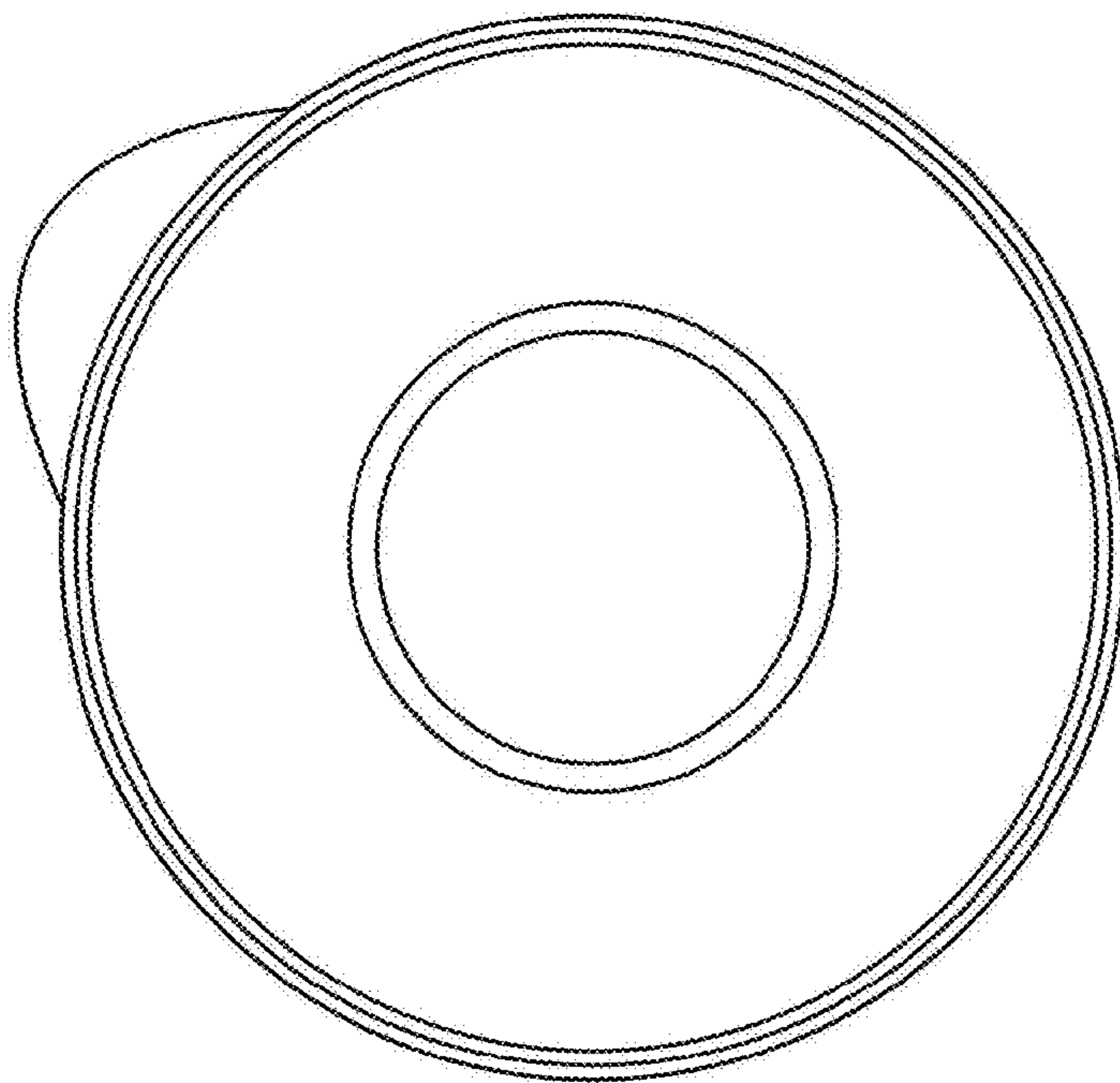


Fig. 8

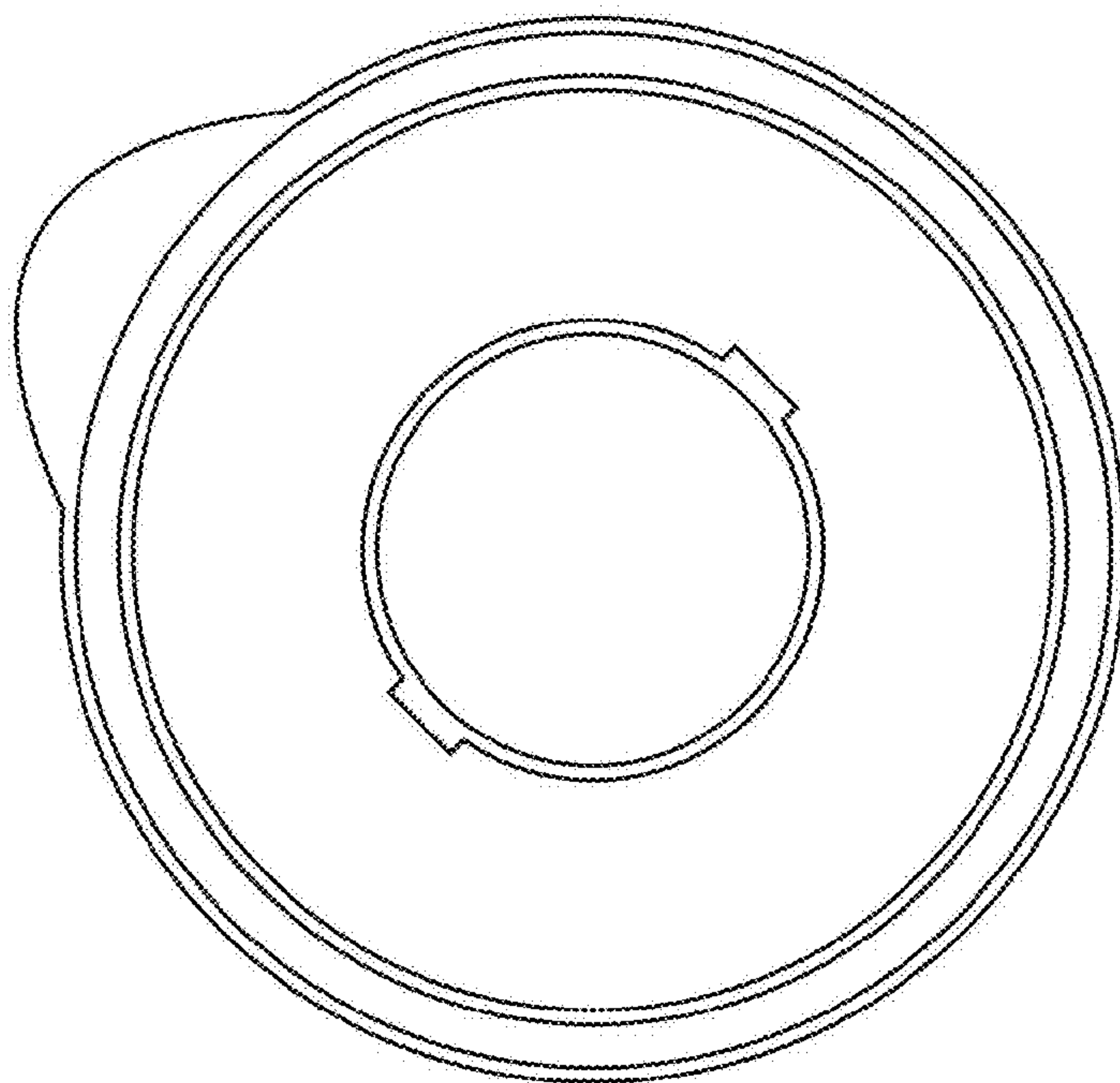


Fig. 7

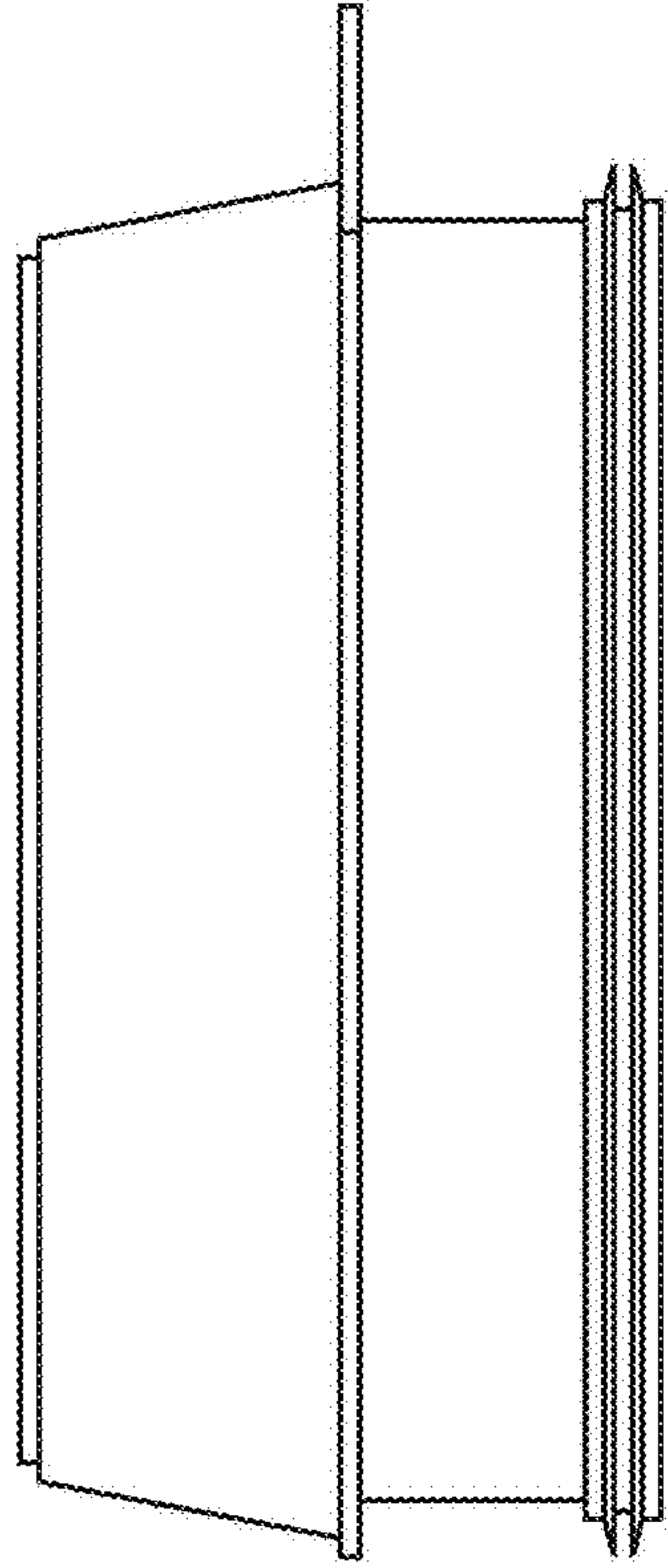


Fig. 10

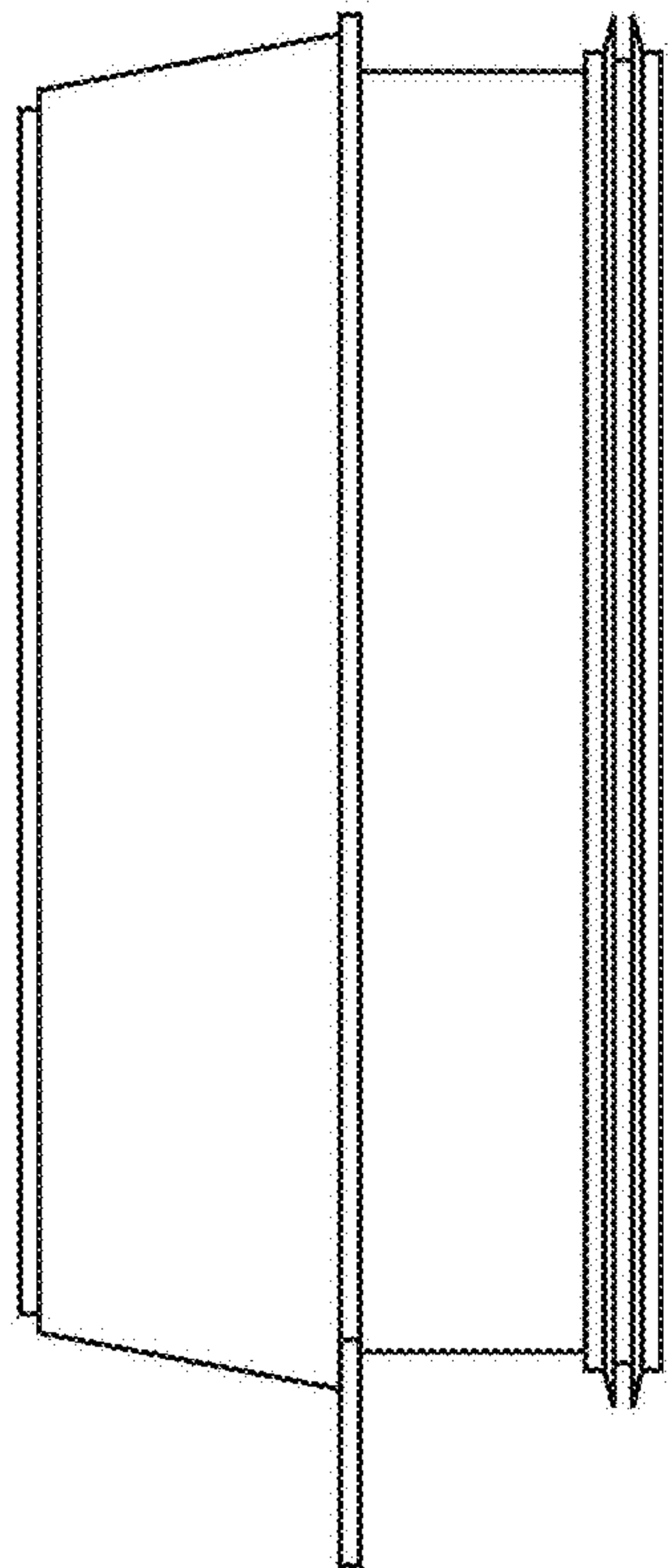


Fig. 9



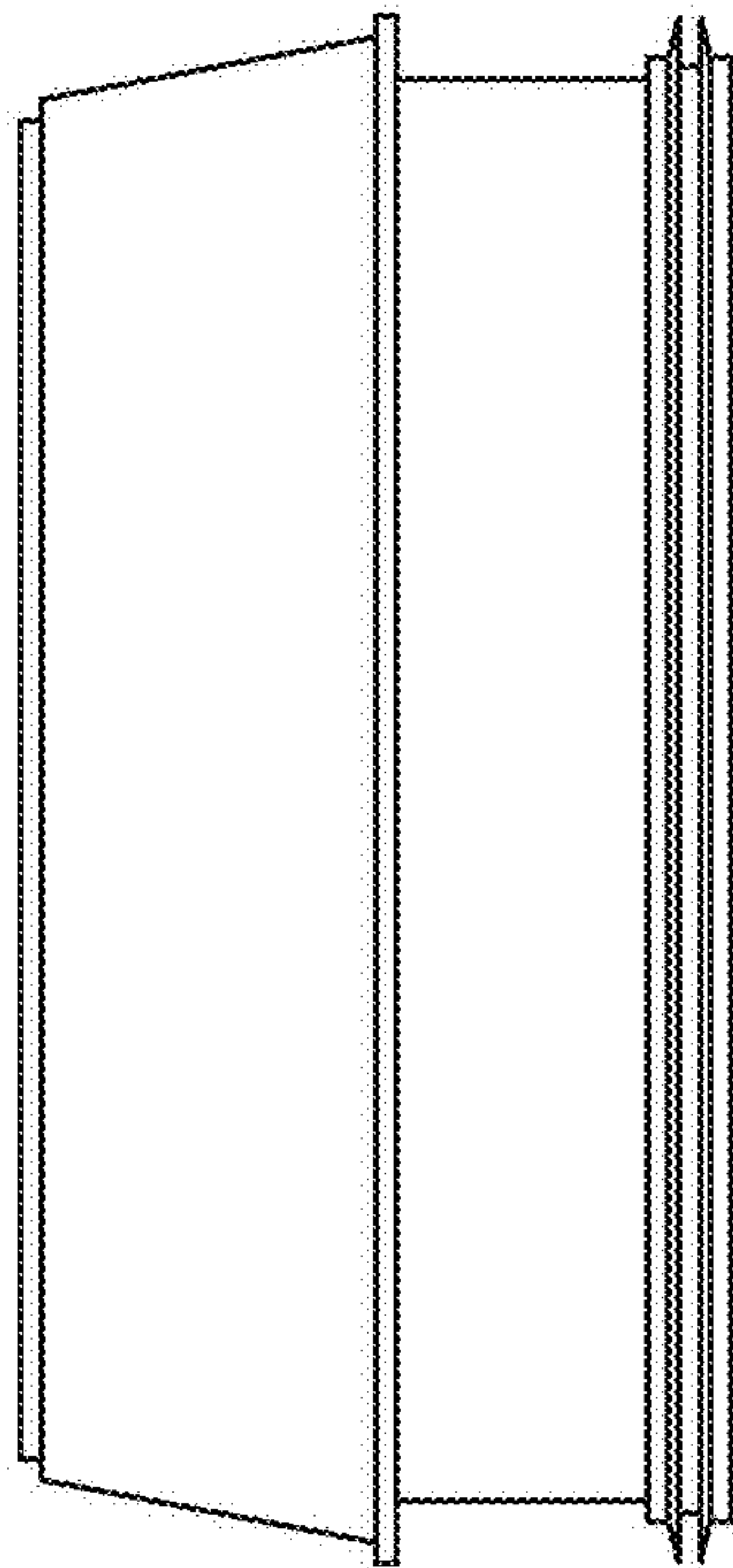


Fig. 12

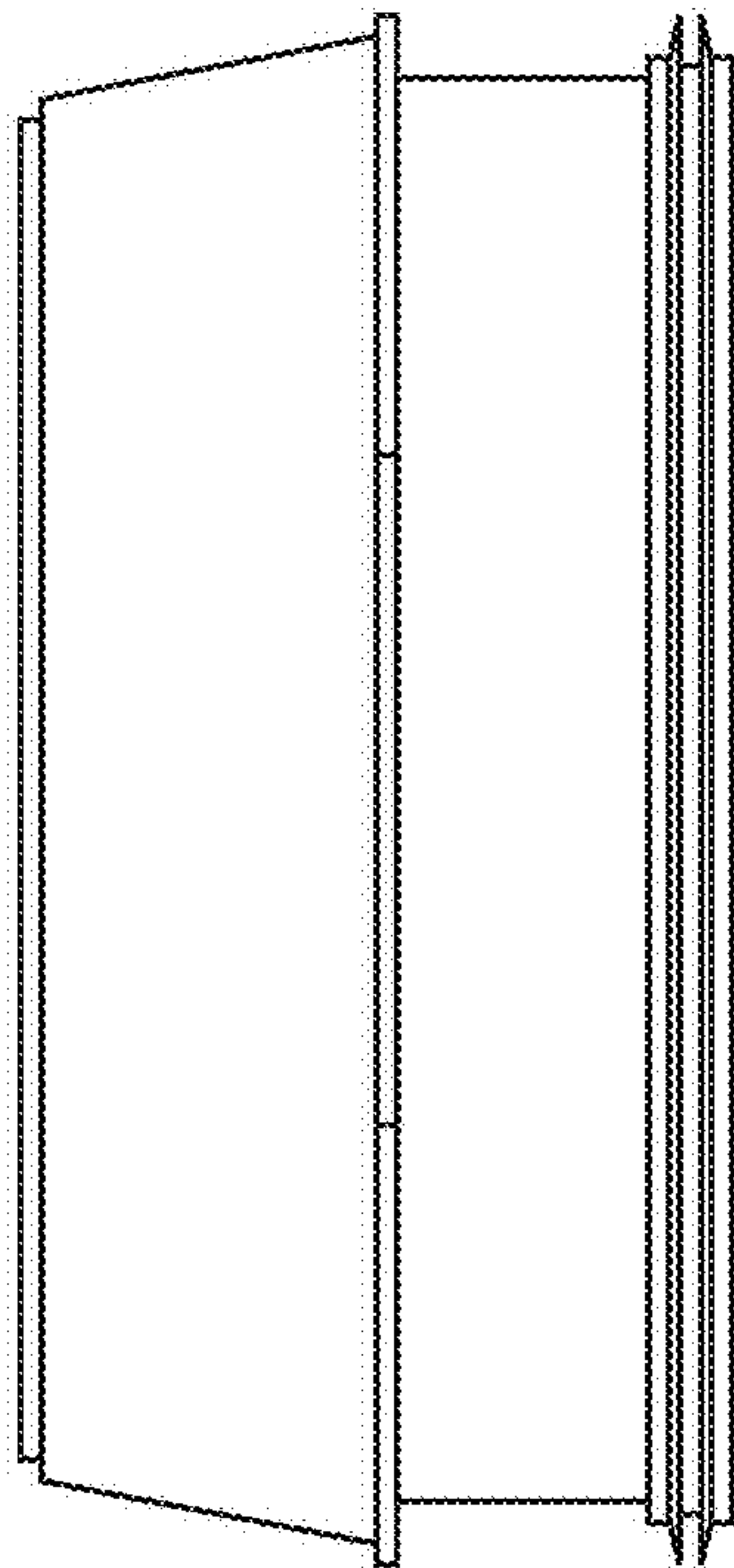


Fig. 11

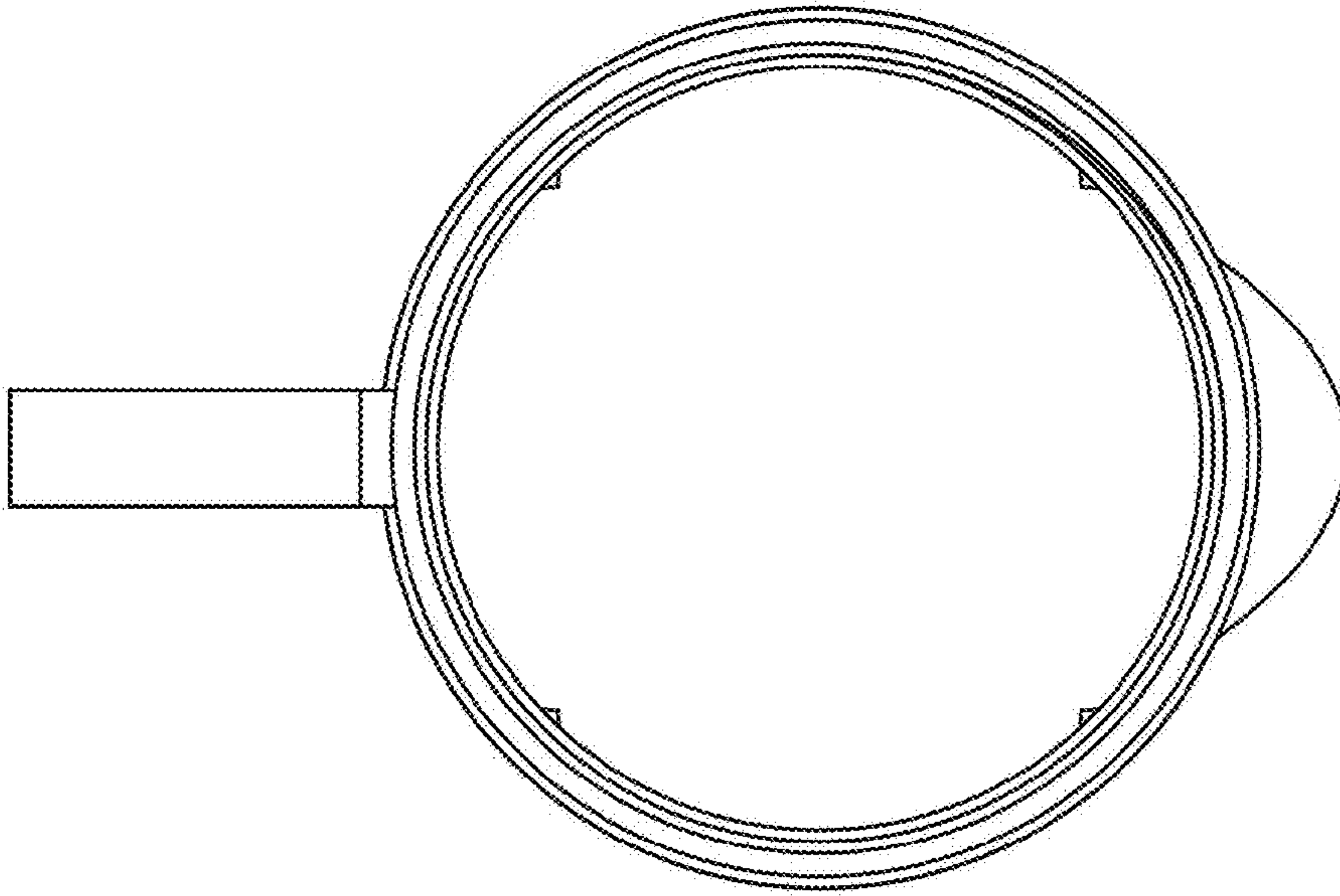


Fig. 13

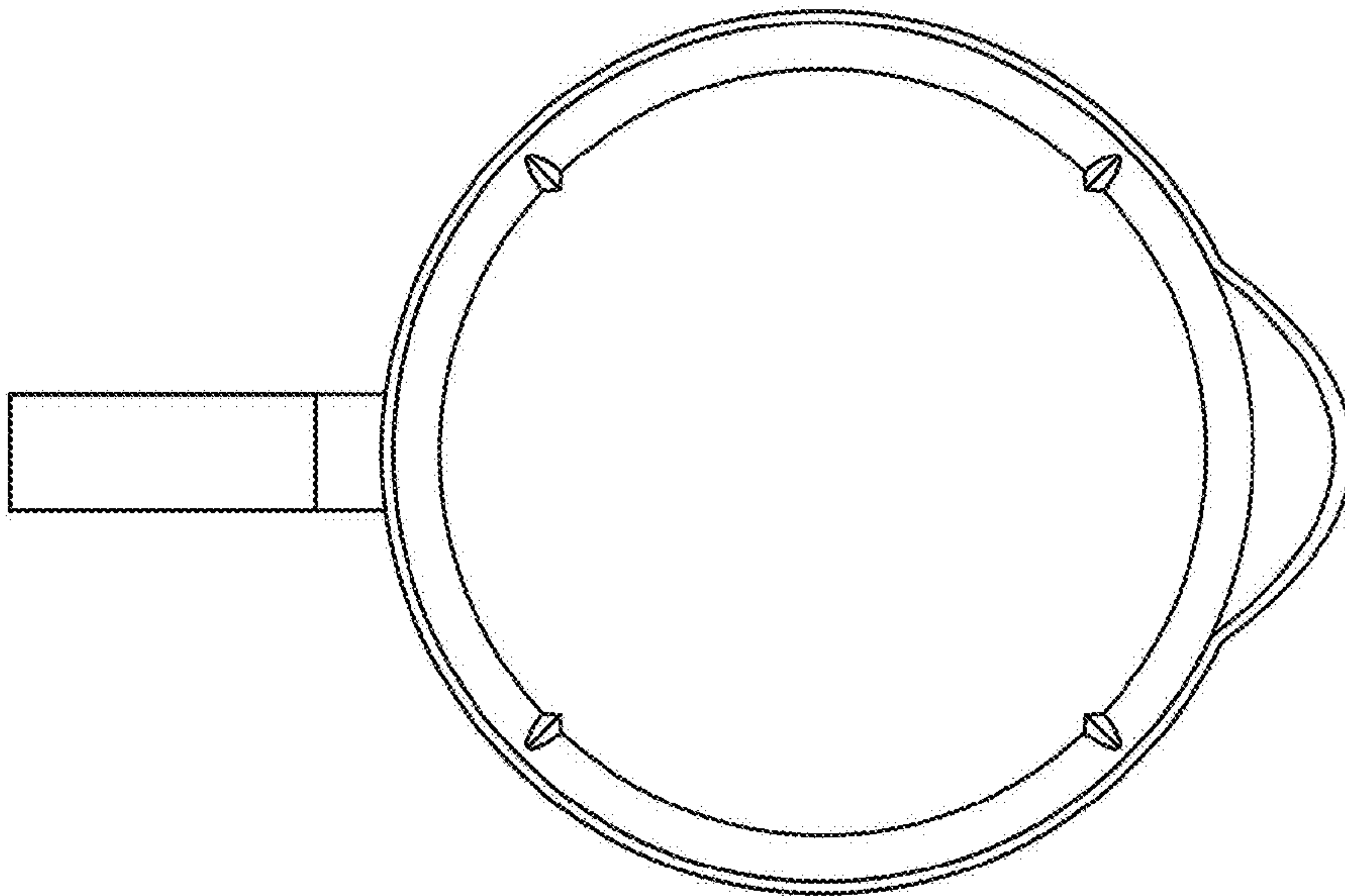


Fig. 14

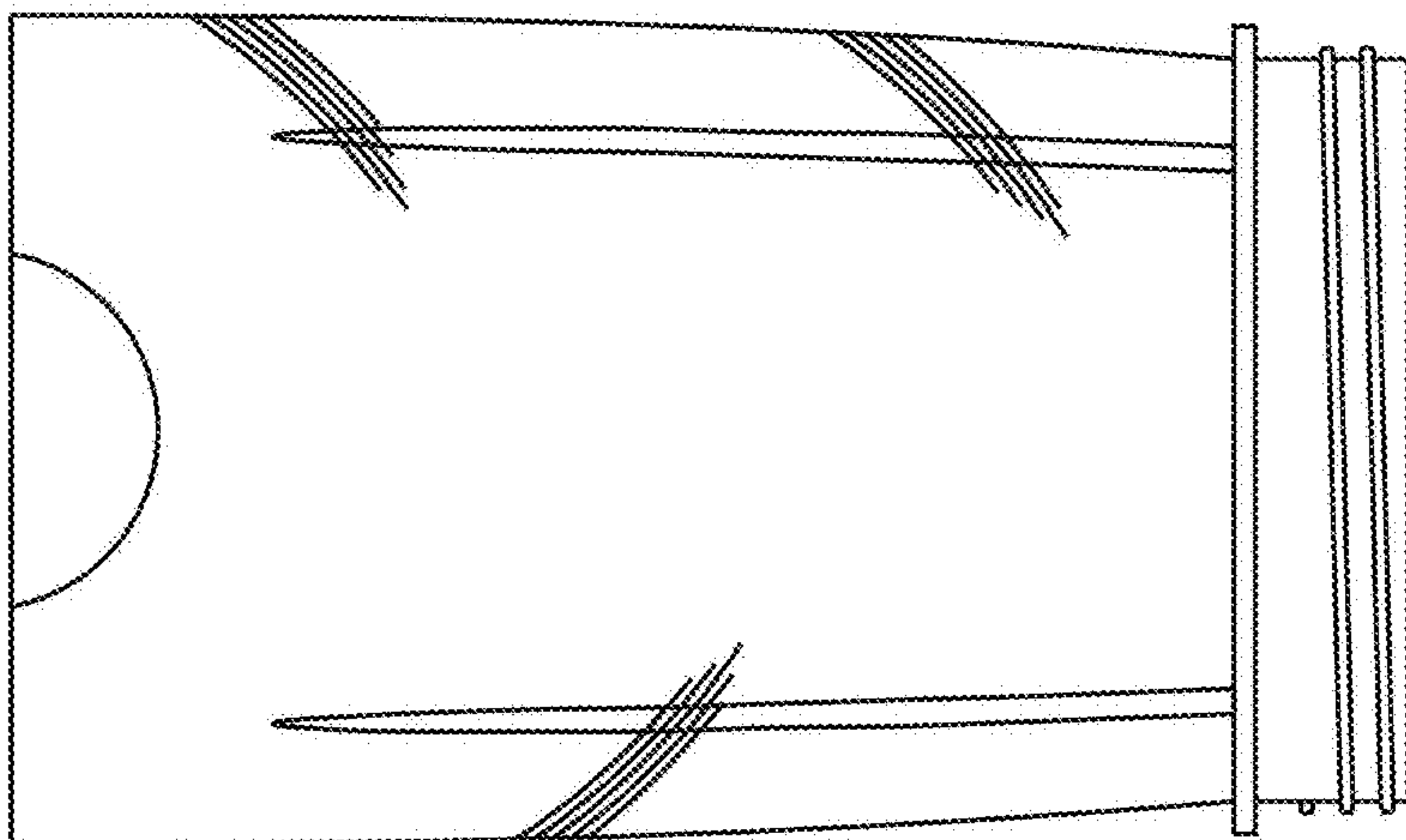


Fig. 15

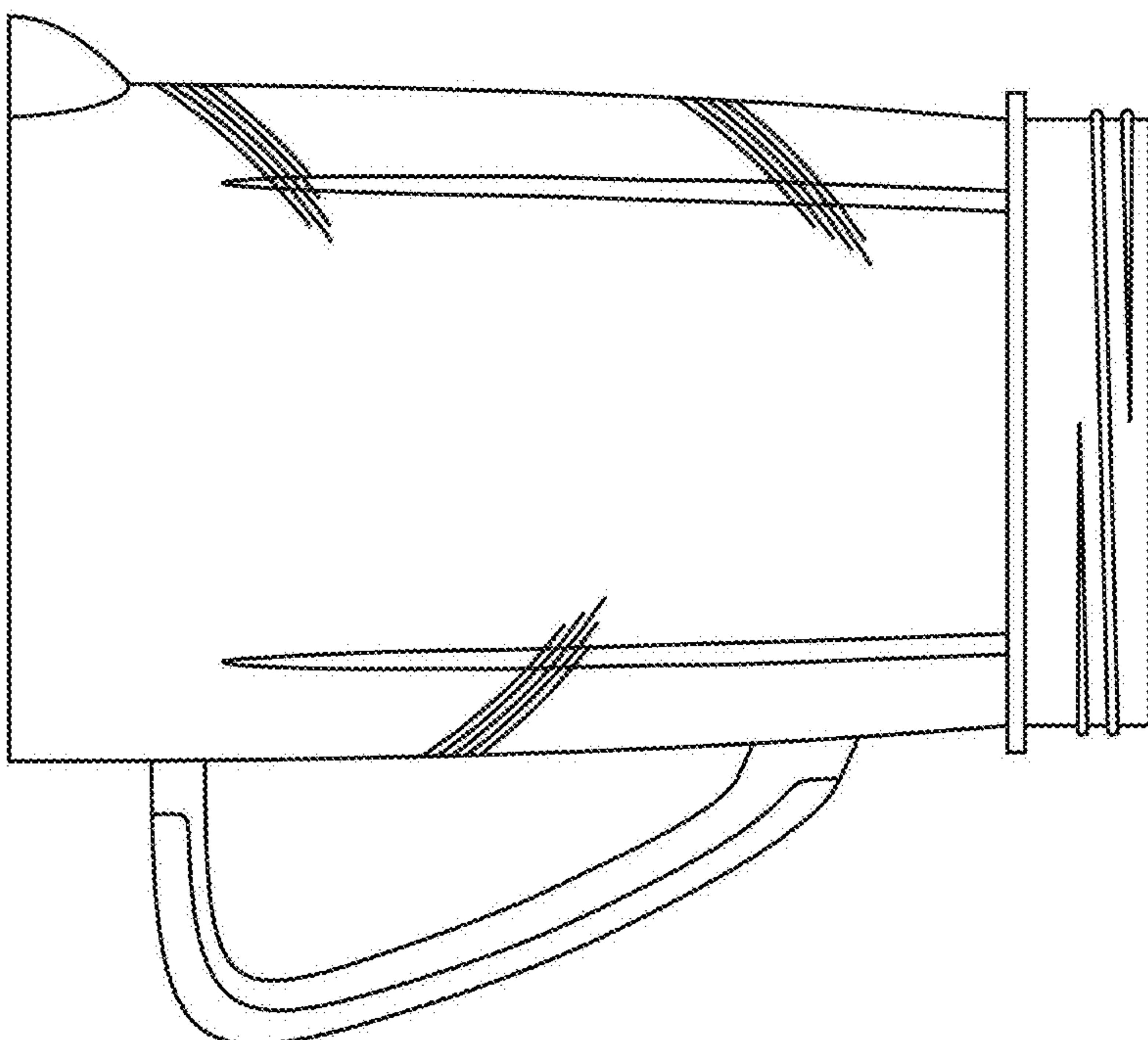


Fig. 16

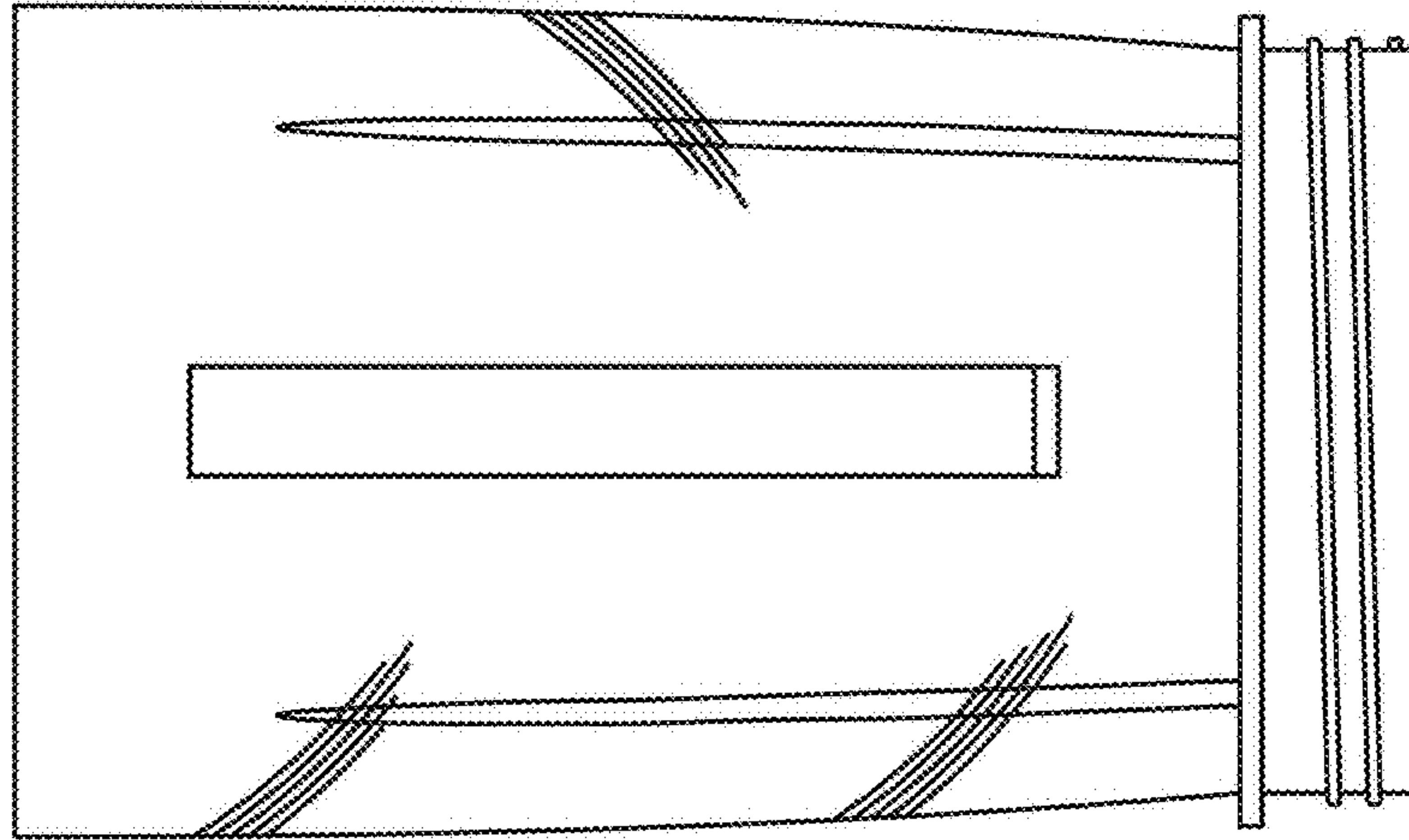


Fig. 18

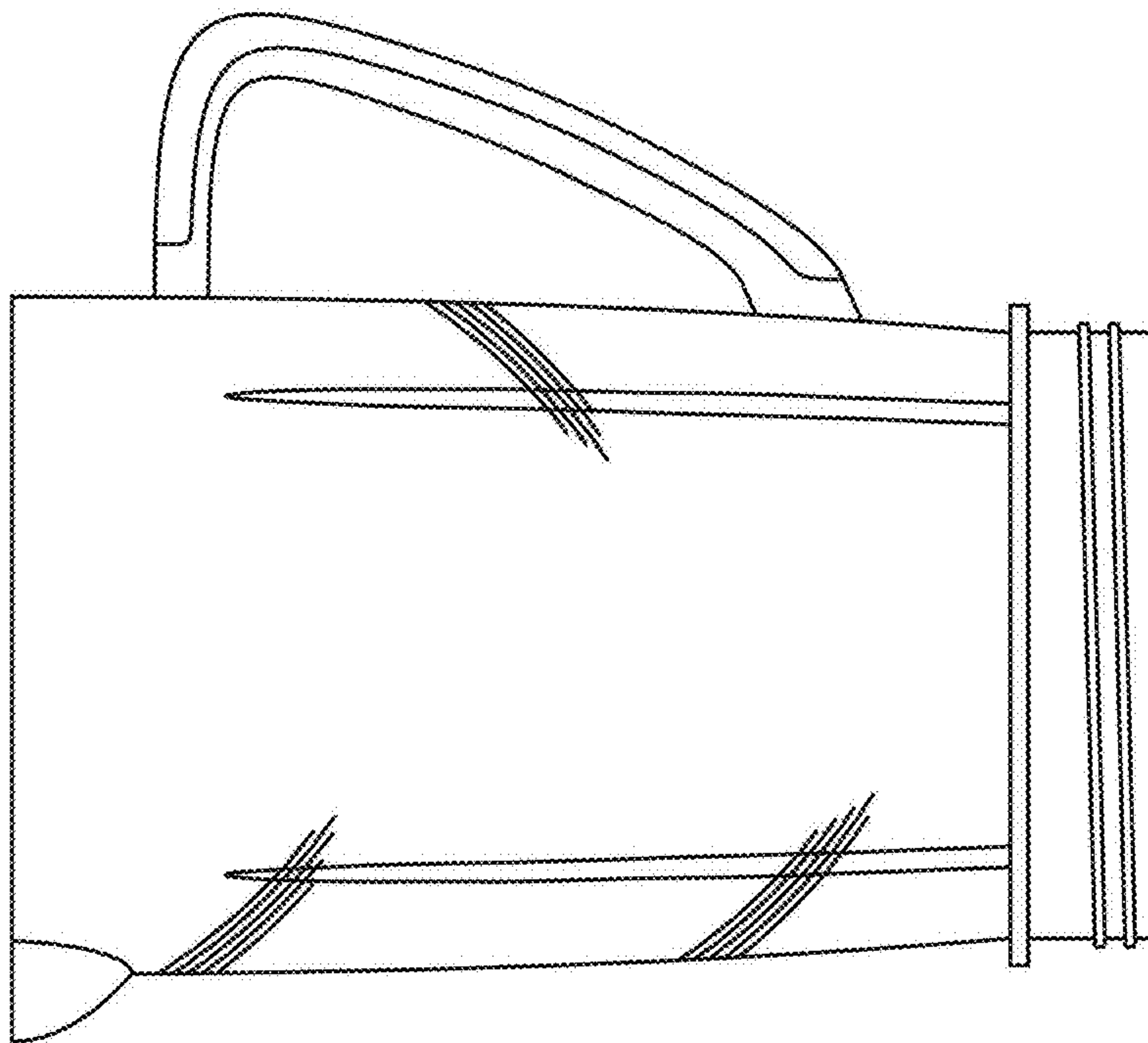


Fig. 17