



US00D738678S

(12) **United States Design Patent**
Thonis

(10) **Patent No.:** **US D738,678 S**
(45) **Date of Patent:** **** Sep. 15, 2015**

- (54) **LID FOR A SERVING DISH**
- (71) Applicant: **Lenox Corporation**, Bristol, PA (US)
- (72) Inventor: **Paul Thonis**, New Hope, PA (US)
- (73) Assignee: **Lenox Corporation**, Bristol, PA (US)
- (**) Term: **14 Years**
- (21) Appl. No.: **29/506,949**
- (22) Filed: **Oct. 22, 2014**

- D480,598 S 10/2003 Teisen-Simony et al.
- D481,585 S * 11/2003 Logiudice D7/391
- D491,874 S * 6/2004 Cook D12/213
- D562,626 S 2/2008 Freeman
- D565,674 S 4/2008 Bozof
- D571,145 S 6/2008 Rae
- D579,717 S 11/2008 Pawson et al.
- D609,979 S * 2/2010 Soibel et al. D7/629
- D613,126 S 4/2010 Warner
- D630,475 S 1/2011 Lu
- D641,206 S 7/2011 Heiberg et al.
- D676,284 S * 2/2013 Pallotto D7/629
- D700,800 S * 3/2014 Ludeman et al. D7/391
- D704,985 S * 5/2014 Lin D7/391

(Continued)

Related U.S. Application Data

- (62) Division of application No. 29/462,649, filed on Aug. 6, 2013, now Pat. No. Des. 719,400.
- (51) **LOC (10) Cl.** **07-02**
- (52) **U.S. Cl.**
USPC **D7/392.1**
- (58) **Field of Classification Search**
USPC D7/391, 392, 392.1, 393, 397, 538, 542,
D7/602, 629, 705; D9/424, 430, 435, 449,
D9/452; 220/212, 213, 231, 260, 287, 305,
220/574, 660, 675, 781, 782, 783, 790, 791,
220/794; 215/10
CPC A47J 36/06
See application file for complete search history.

(56) **References Cited**

U.S. PATENT DOCUMENTS

- D46,429 S * 9/1914 Clark D9/452
- D160,649 S * 10/1950 Muller-Munk D7/391
- D211,979 S 8/1968 Dru
- D345,485 S * 3/1994 Leung D7/360
- D364,533 S 11/1995 Brophy
- D374,793 S 10/1996 Eickel
- D412,266 S * 7/1999 Kerr D7/542
- D434,714 S 12/2000 White
- D457,392 S 5/2002 Joergensen

OTHER PUBLICATIONS

- “Dansk Kobenstyle Dutch Oven”. flickr.com. Web. Jan. 31, 2007.*
- (Continued)

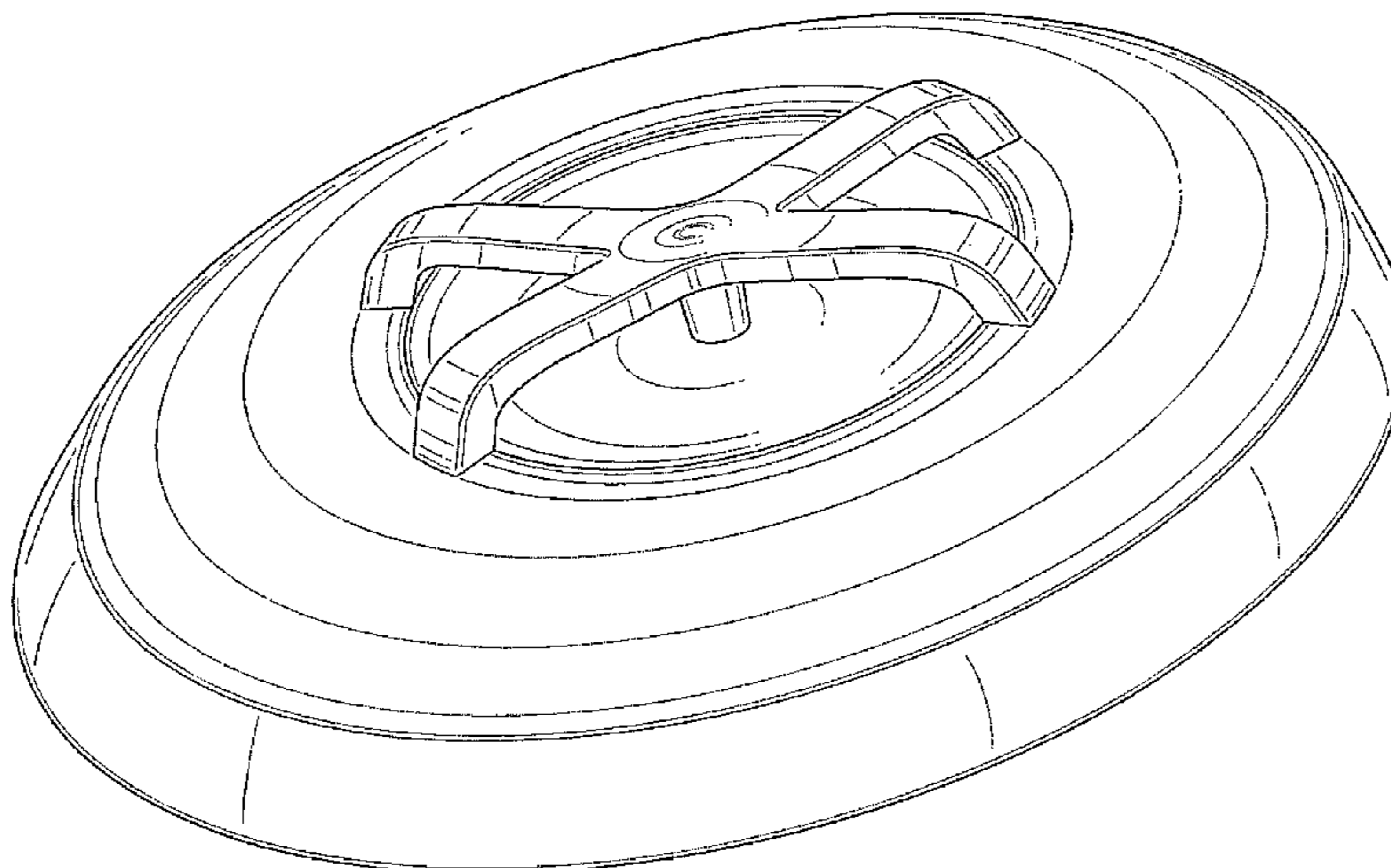
Primary Examiner — Robert M Spear
Assistant Examiner — Kendra L Hamilton

(57) **CLAIM**
I claim the ornamental design for a lid for a serving dish, as shown and described.

DESCRIPTION

FIG. 1 is a front perspective view of my new design for a lid for a serving dish, featuring the top, front and left sides thereof;
FIG. 2 is a front elevational view thereof;
FIG. 3 is a rear elevational view thereof;
FIG. 4 is a left side elevational view thereof;
FIG. 5 is a right side elevational view thereof;
FIG. 6 is a top elevational view thereof; and,
FIG. 7 is a bottom elevational view thereof.
The broken lines shown in FIG. 7 form no part of the claimed design.

1 Claim, 5 Drawing Sheets



(56)

References Cited

U.S. PATENT DOCUMENTS

D717,102 S * 11/2014 Taketani et al. D7/392.1
D719,400 S * 12/2014 Thonis D7/392.1
D722,246 S * 2/2015 Lee et al. D7/391
2003/0201666 A1 10/2003 Artessa et al.

OTHER PUBLICATIONS

“DANSKstories: Collected in the Early '60s”. danskstories.com.
Web. Jun. 14, 2010.*

Paul Thonis, “Kobestyle Timeline,” Lenox Corporation, internal memo (pertinent portions), 2012, 4 pages.
Kobestyle 2 Quart Covered Casserole, 1 page, Original Danish and French production, prior to 2000. Photos by Paul Thonis, 2012.
Kobestyle 4 Quart Covered Casserole, 1 page, Danish and French production, prior to 2000. Photos by Paul Thonis, 2012.
Kobestyle 6 Quart Covered Casserole, 1 page, French production, prior to 2000. Photos by Paul Thonis, 2012.
Office Action, mailed on Jan. 15, 2014, in related Design U.S. Appl. No. 29/462,649.
Notice of Allowance, mailed on Jul. 21, 2014, in related Design U.S. Appl. No. No. 29/462,649.

* cited by examiner

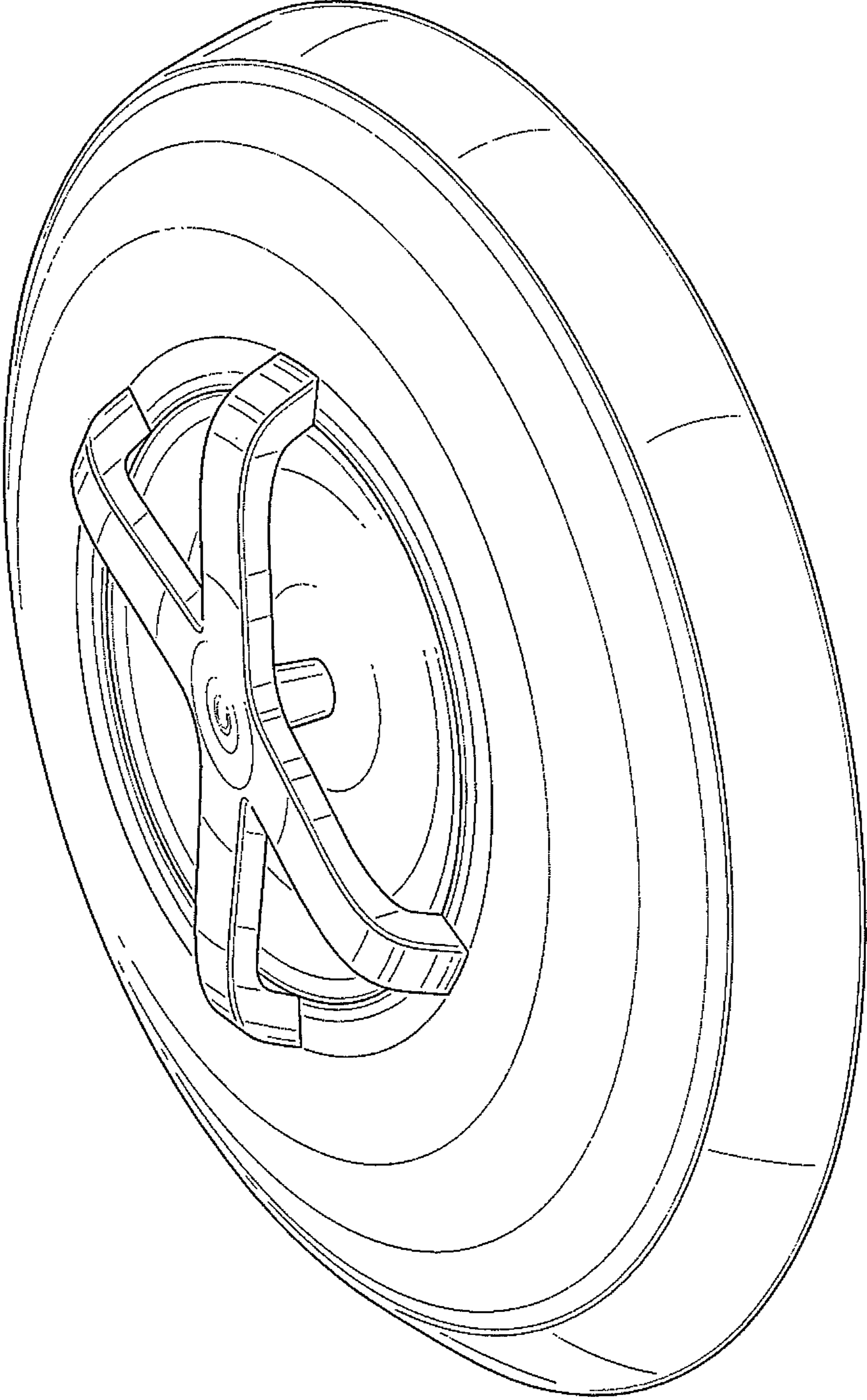


FIG. 1

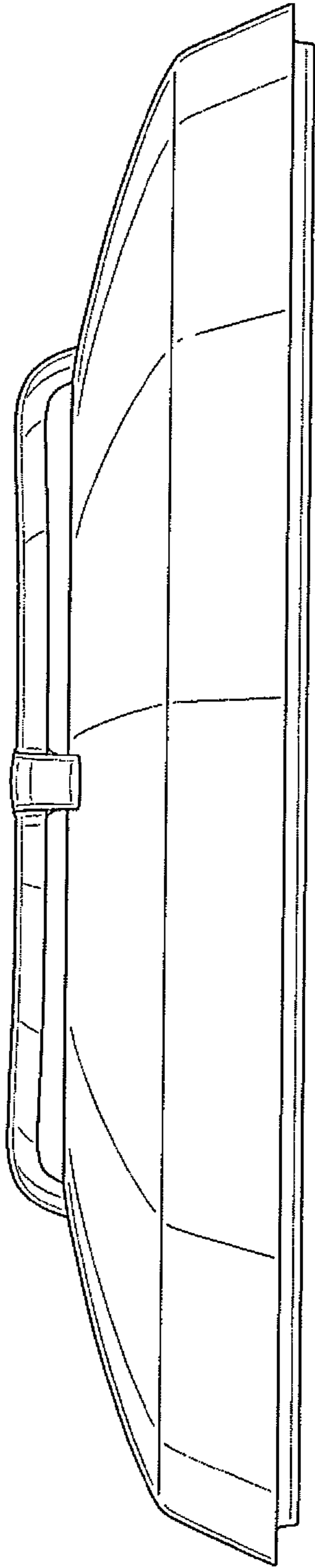


FIG. 2

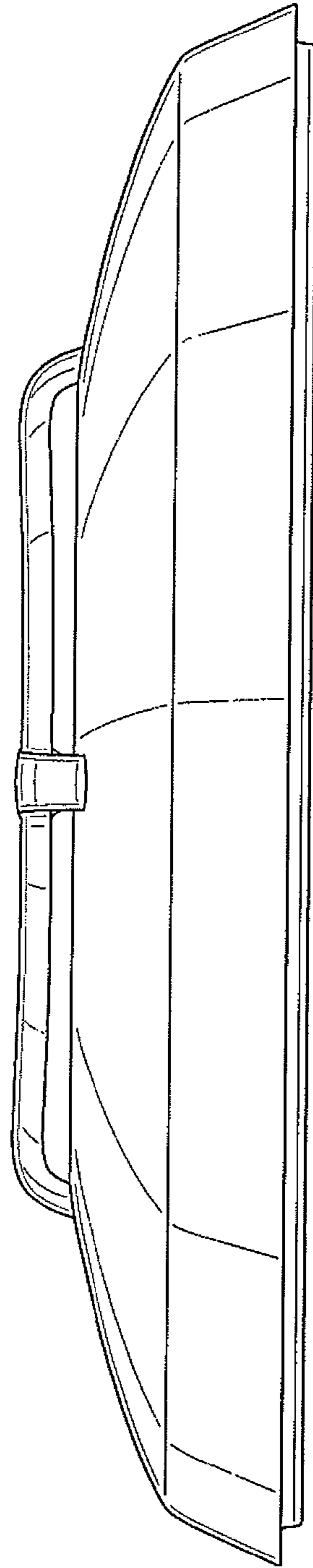


FIG. 3

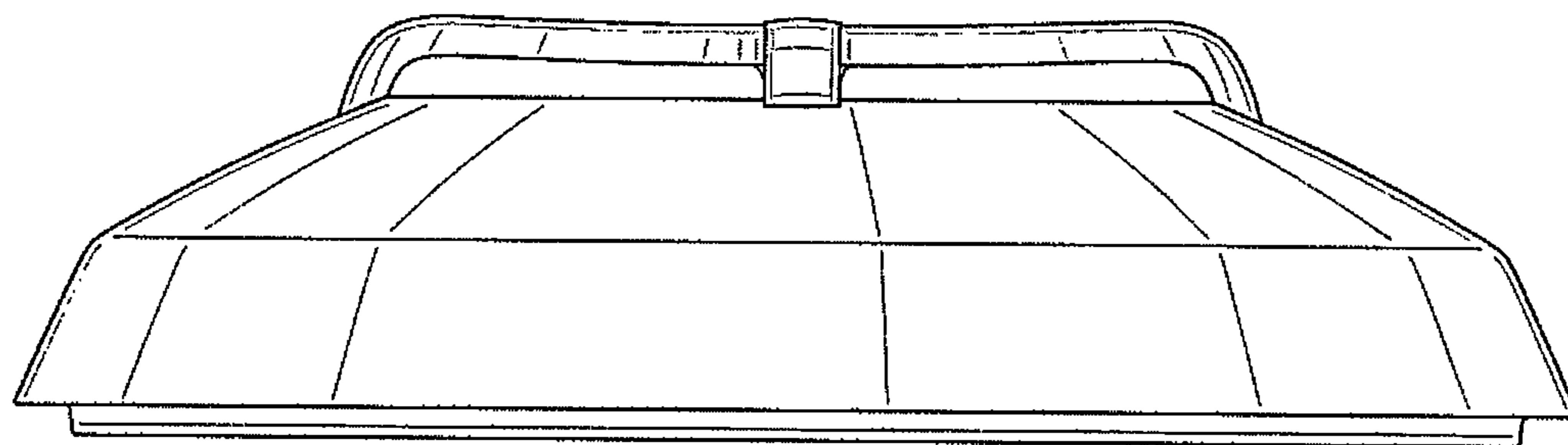


FIG. 4

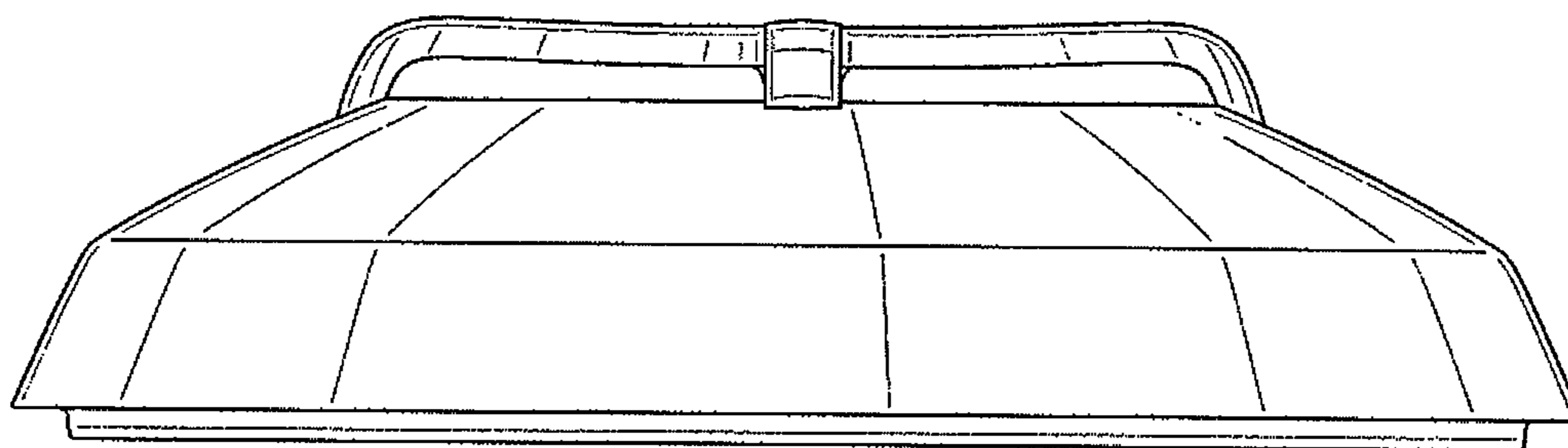


FIG. 5

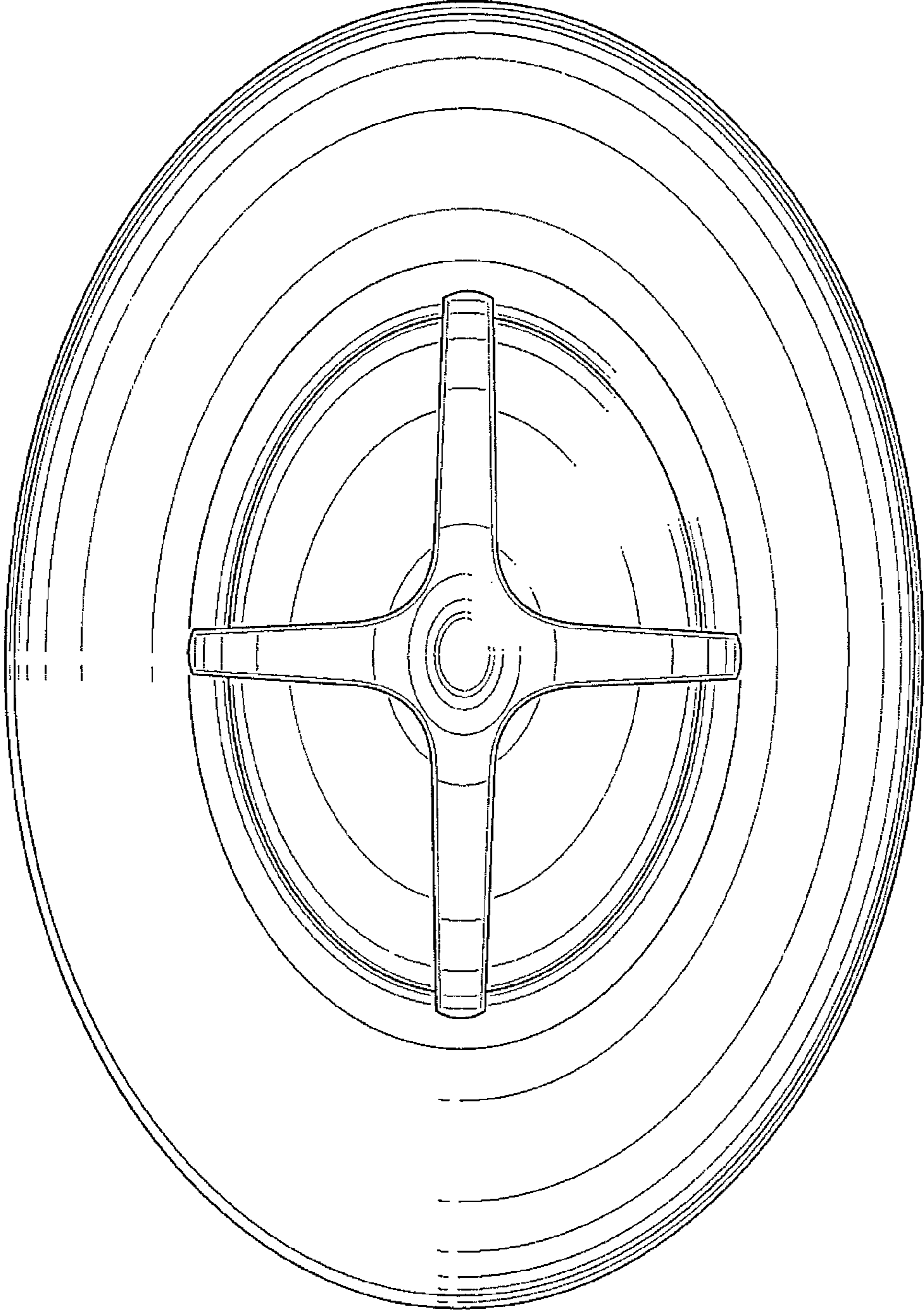


FIG. 6

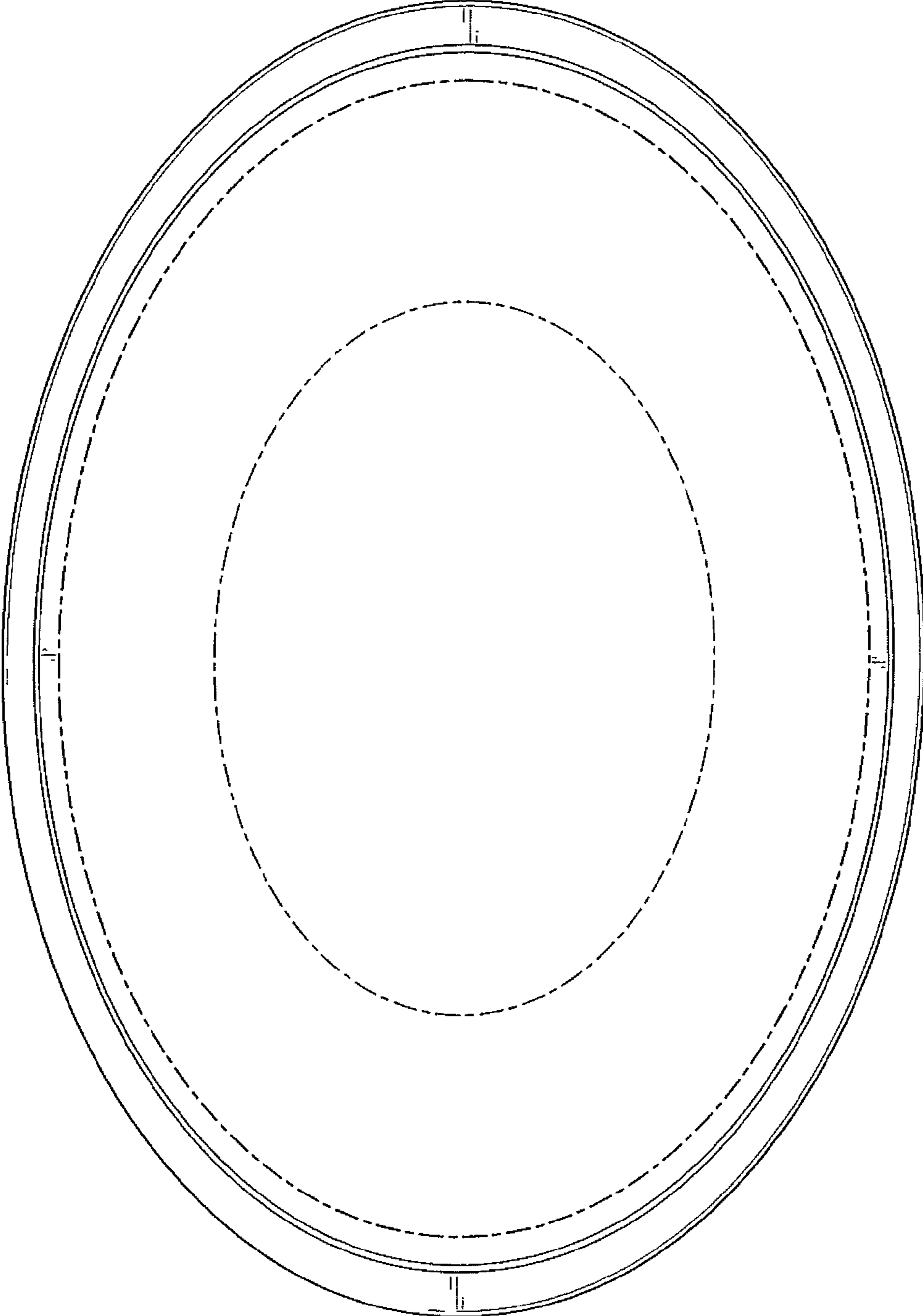


FIG. 7