

US00D738671S

(12) **United States Design Patent**
Ha

(10) **Patent No.:** **US D738,671 S**

(45) **Date of Patent:** **** Sep. 15, 2015**

(54) **FOOD DEHYDRATOR**

(71) Applicant: **Weh gu Ha**, Seoul (KR)

(72) Inventor: **Weh gu Ha**, Seoul (KR)

(**) Term: **14 Years**

(21) Appl. No.: **29/484,022**

(22) Filed: **Mar. 5, 2014**

(51) **LOC (10) Cl.** **07-02**

(52) **U.S. Cl.**
USPC **D7/323**

(58) **Field of Classification Search**
USPC D7/323, 324, 347, 350.1, 350.3, 357,
D7/362, 368, 402, 412, 350.4; 34/192,
34/196, 197, 201, 417, 493; 99/416, 417,
99/467, 476, 483, 484, 473; 126/19 M,
126/21 R, 21 A, 275 R, 275 E; 219/385-387,
219/400, 401, 405
CPC A23L 3/40; A23V 2300/10; F26B 1/00;
F26B 2210/00

See application file for complete search history.

(56) **References Cited**

U.S. PATENT DOCUMENTS

| | | | |
|-------------------|---------|---------------------|--------|
| D252,397 S * | 7/1979 | Cousins et al. | D7/368 |
| D270,423 S * | 9/1983 | Orton | D7/368 |
| 5,826,498 A * | 10/1998 | Su | 99/476 |
| 5,836,086 A * | 11/1998 | Elder | 34/396 |
| 2013/0233185 A1 * | 9/2013 | Hunt et al. | 99/476 |

* cited by examiner

Primary Examiner — Michael A Pratt

(74) *Attorney, Agent, or Firm* — Rabin & Berdo, P.C.

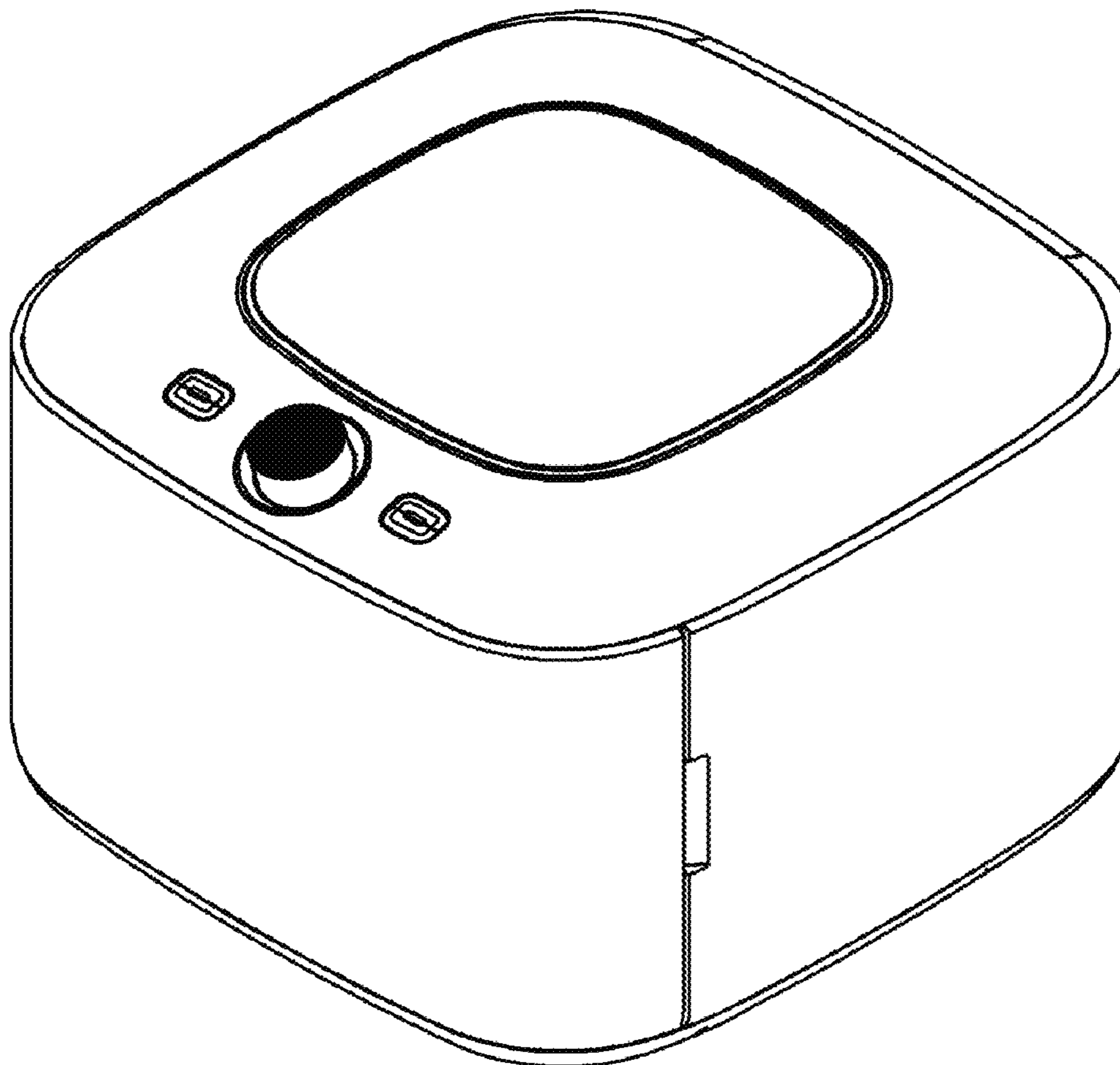
(57) **CLAIM**

The ornamental design for a food dehydrator, as shown and described.

DESCRIPTION

FIG. 1 is a perspective view of a food dehydrator showing new design;
FIG. 2 is a front elevational view thereof;
FIG. 3. is a rear elevational view thereof;
FIG. 4 is a left side elevational view thereof;
FIG. 5 is a right elevational view thereof;
FIG. 6 is a top view thereof; and,
FIG. 7 is a bottom view thereof.

1 Claim, 4 Drawing Sheets



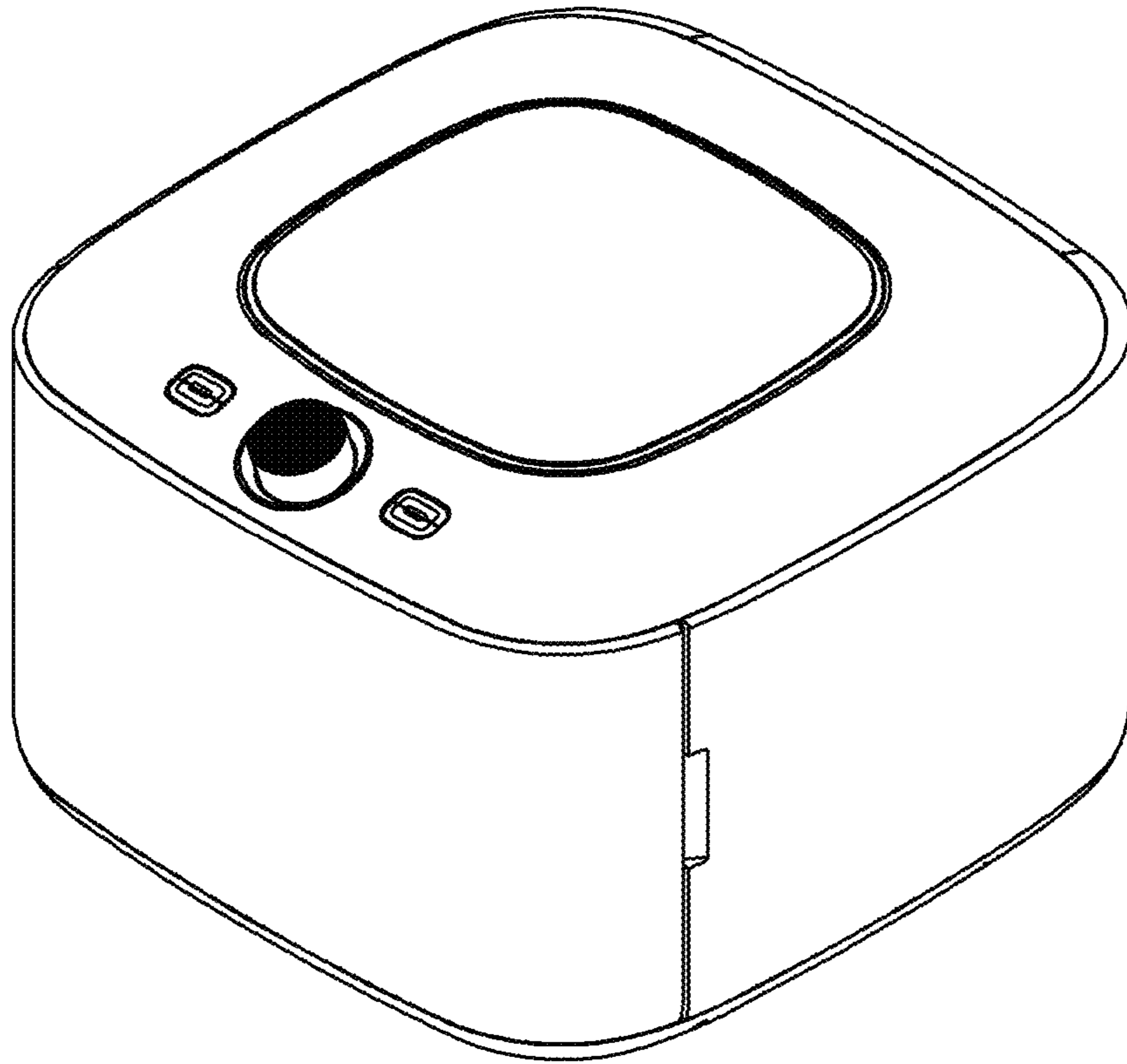


FIG. 1

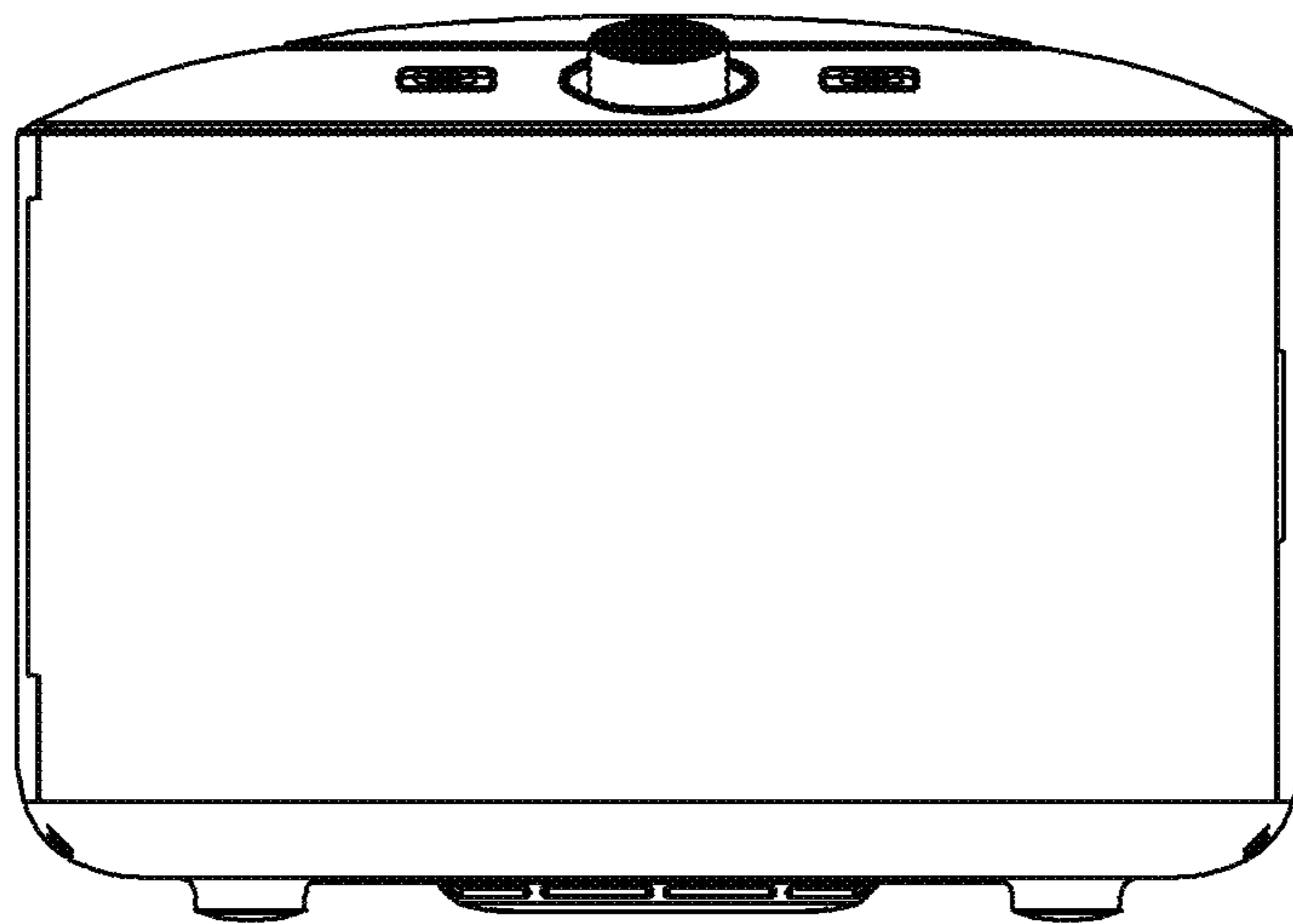


FIG. 2

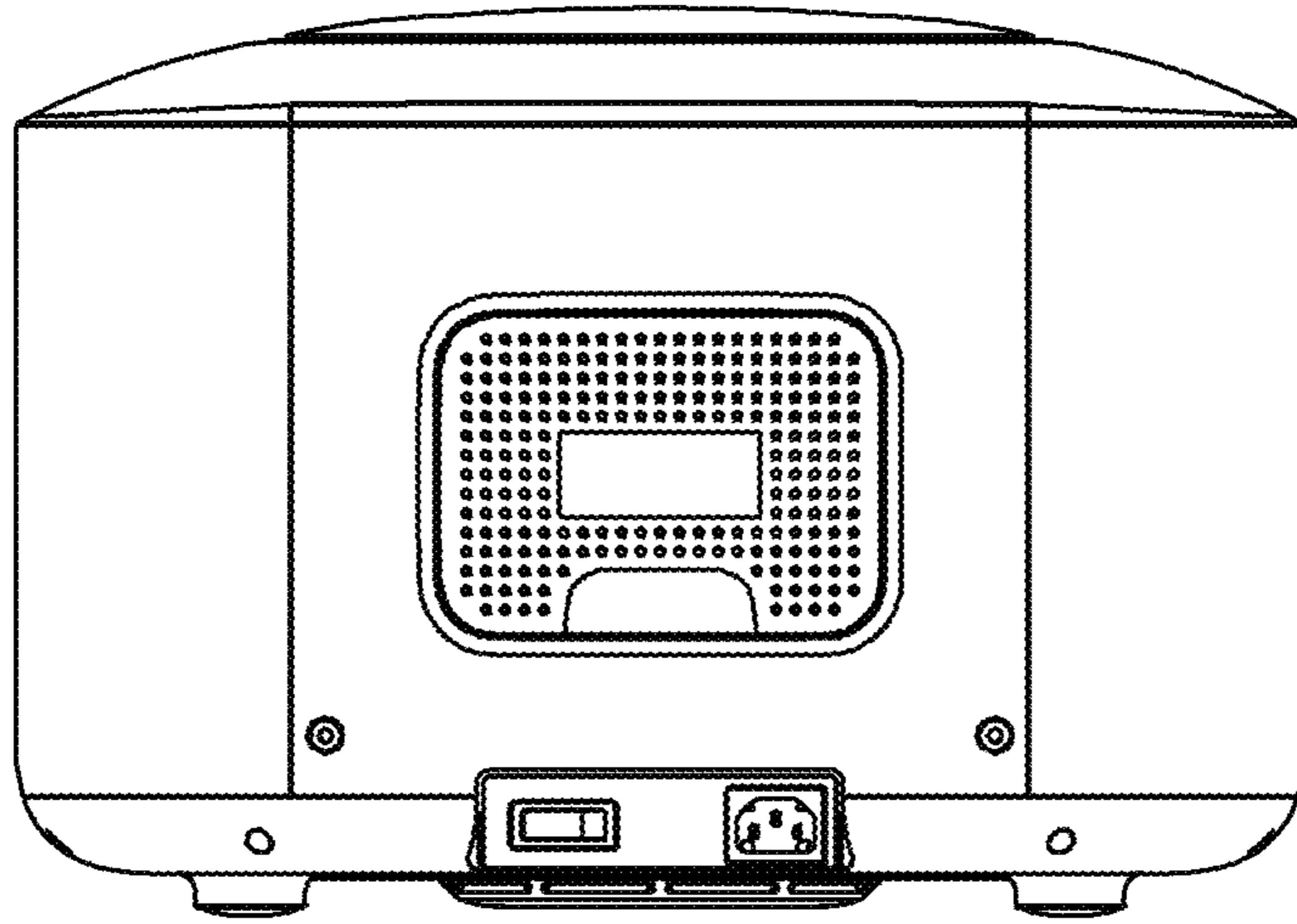


FIG.3

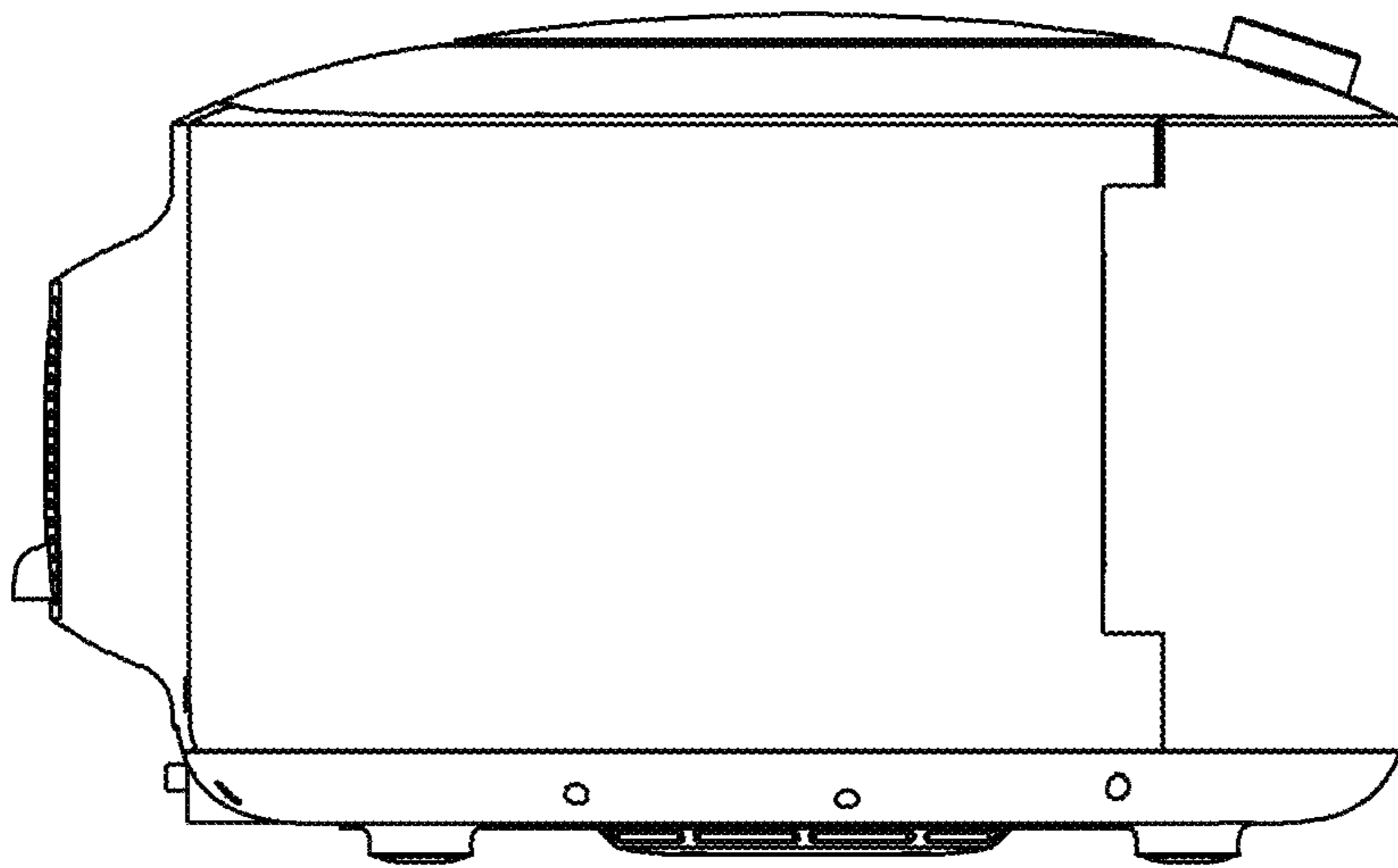


FIG.4

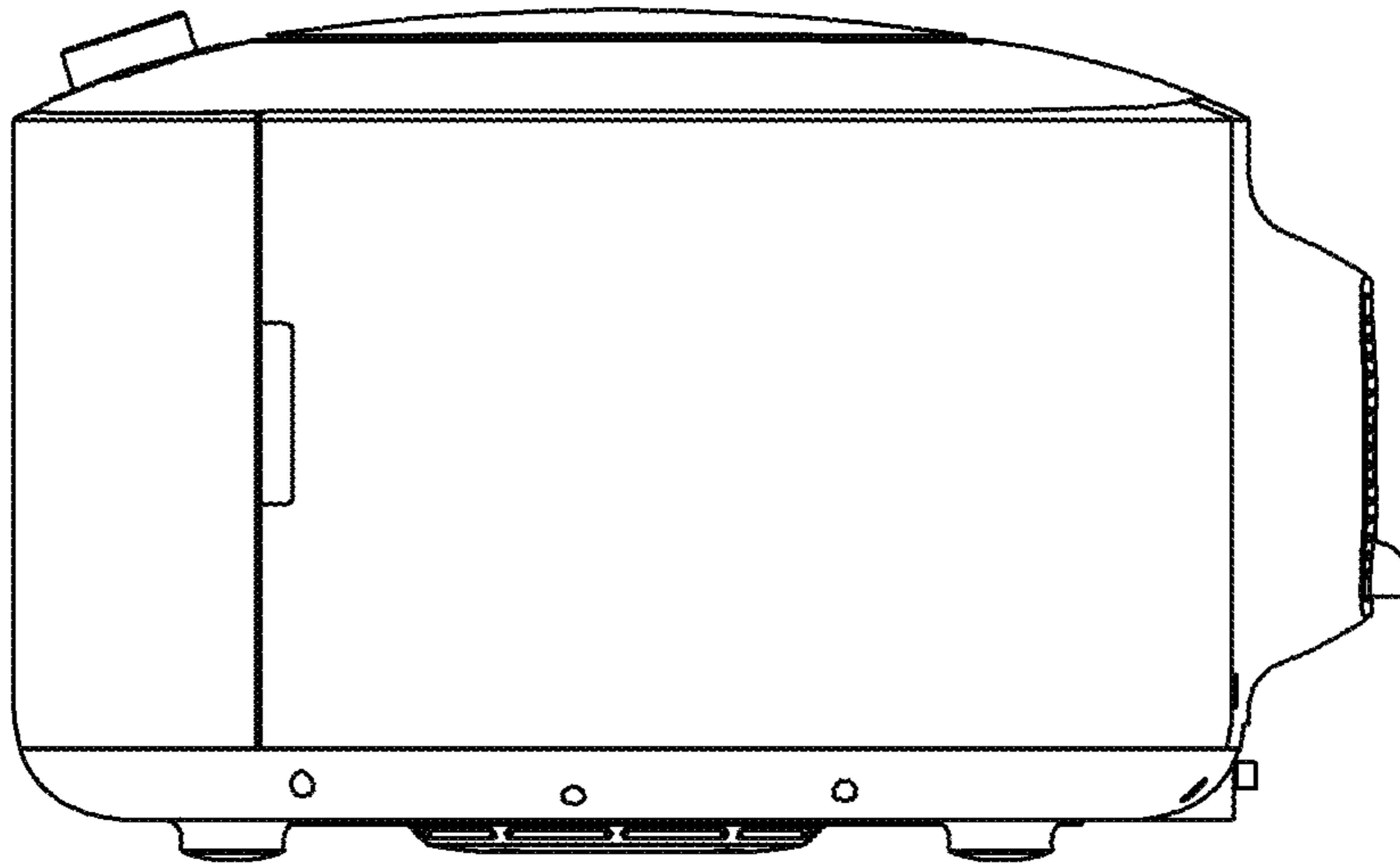


FIG. 5

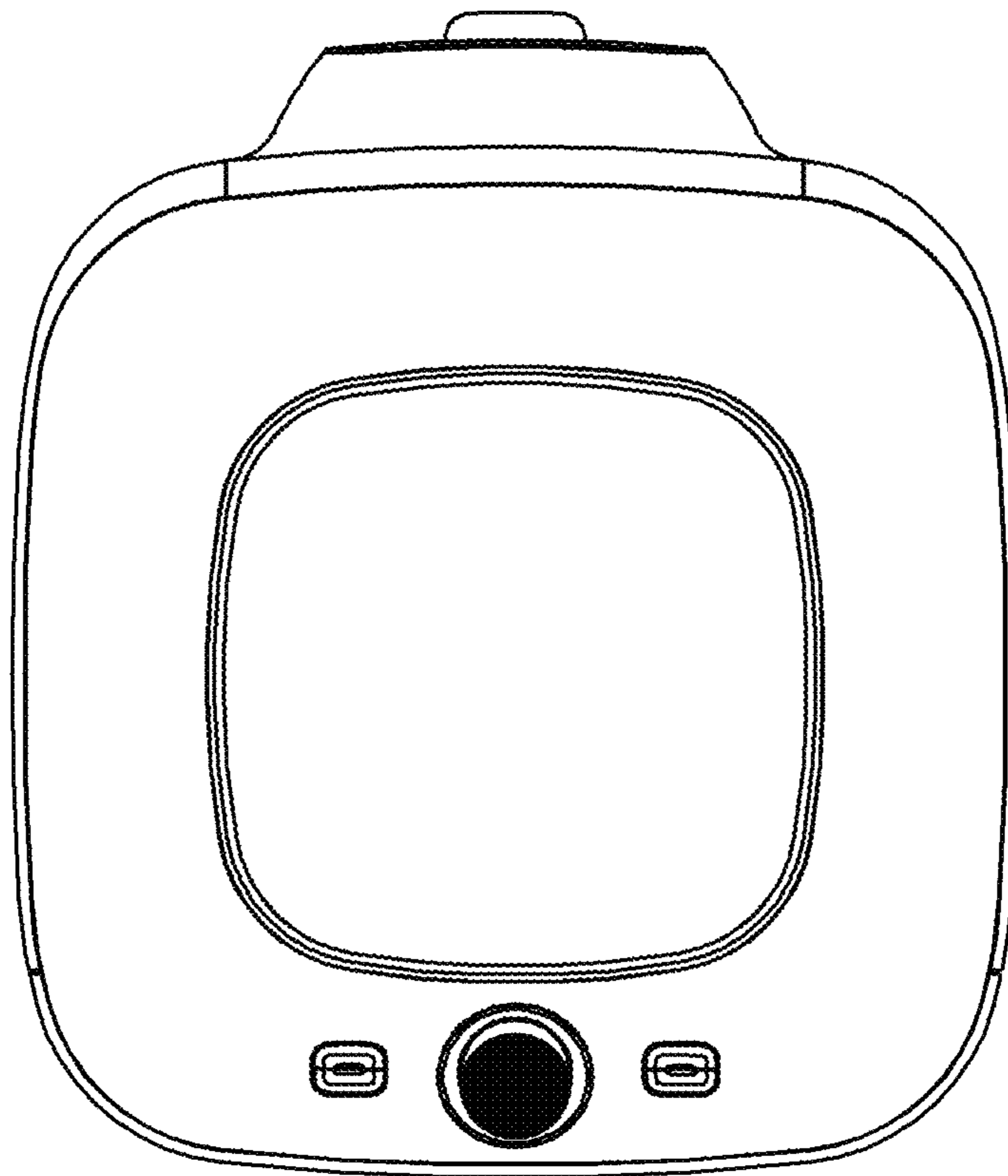


FIG. 6

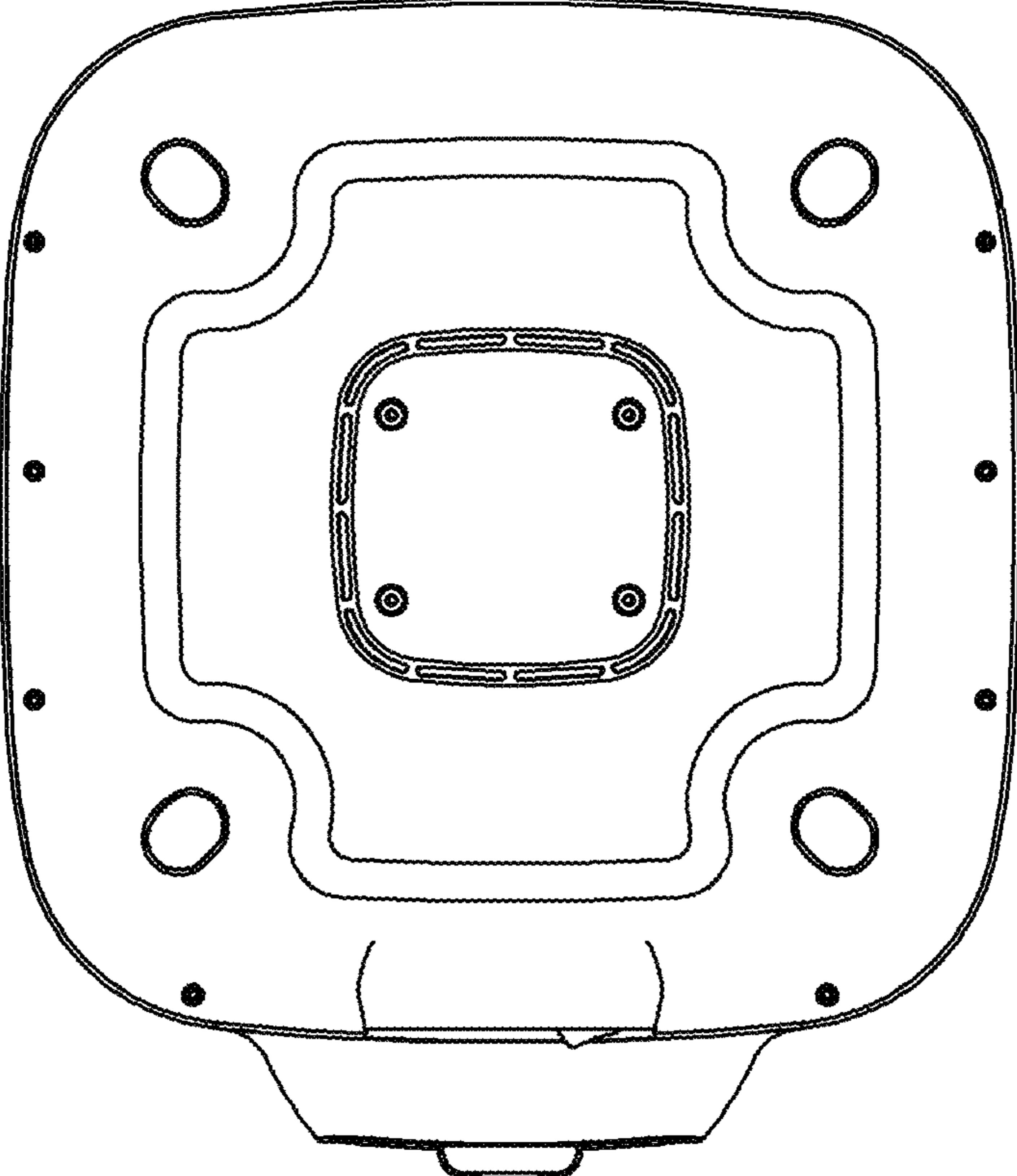


FIG.7