



US00D738670S

(12) **United States Design Patent**  
**Sands**

(10) **Patent No.:** **US D738,670 S**

(45) **Date of Patent:** **\*\* Sep. 15, 2015**

(54) **BEVERAGE VESSEL**

(71) Applicant: **HOMELAND HOUSEWARES, LLC,**  
Los Angeles, CA (US)

(72) Inventor: **Lenny Sands,** Los Angeles, CA (US)

(73) Assignee: **Homeland Housewares, LLC.,** Los  
Angeles, CA (US)

(\*\*) Term: **14 Years**

(21) Appl. No.: **29/491,999**

(22) Filed: **May 27, 2014**

(51) **LOC (10) Cl.** ..... **07-01**

(52) **U.S. Cl.**  
USPC ..... **D7/319; D7/317**

(58) **Field of Classification Search**

USPC ..... D7/310, 312, 314, 315, 316, 317, 318,  
D7/319, 320, 591, 592, 598, 600, 622, 667,  
D7/668, 392, 392.1, 396.6, 503, 507, 509,  
D7/510, 511, 514, 515, 522, 513, 523;  
D9/500, 678, 669, 715, 719, 536, 528,  
D9/531, 534, 435, 440, 443; 215/380, 382,  
215/398, 396; 220/495.03, 23, 494;  
206/217

CPC ..... A47J 31/14; A47J 36/14; A47J 31/005;  
A47J 31/00; A47G 19/14; A47G 19/2272

See application file for complete search history.

(56) **References Cited**

**U.S. PATENT DOCUMENTS**

D180,587 S \* 7/1957 Dube ..... D7/319  
3,085,710 A \* 4/1963 McIlroy ..... 220/711

(Continued)

**FOREIGN PATENT DOCUMENTS**

EP 1859910 A1 11/2007  
EP 1682314 A4 5/2008

(Continued)

**OTHER PUBLICATIONS**

U.S. Appl. No. 10/855,274, filed Jan. 12, 2006, Fernandez et al.

(Continued)

*Primary Examiner* — Marianne Pandozzi

*Assistant Examiner* — Jae Liang

(74) *Attorney, Agent, or Firm* — Trojan Law Offices

(57) **CLAIM**

The ornamental design for a beverage vessel, as shown and described.

**DESCRIPTION**

FIG. 1 is a perspective view of a beverage vessel showing my new design;

FIG. 2 is an exploded perspective view of the beverage vessel shown in FIG. 1. The vessel comprises a cap, a collar with a lip, a housing with a handle.

FIG. 3 is the top view of the beverage vessel's cap shown in FIG. 2.

FIG. 4 is the bottom view of the beverage vessel's cap shown in FIG. 2.

FIG. 5 is a left side view of the cap shown in FIGS. 3 and 4.

FIG. 6 is a front side view of the cap shown in FIGS. 3 and 4.

FIG. 7 is a right side view of the cap shown in FIGS. 3 and 4.

FIG. 8 is a back side view of the cap shown in FIGS. 3 and 4.

FIG. 9 is the top view of the beverage vessel's collar shown in FIG. 2.

FIG. 10 is the bottom view of the beverage vessel's collar shown in FIG. 2.

FIG. 11 is the front view of the collar shown in FIGS. 9 and 10.

FIG. 12 is the back view of the collar shown in FIGS. 9 and 10.

FIG. 13 is the left view of the collar shown in FIGS. 9 and 10.

FIG. 14 is the right view of the collar shown in FIGS. 9 and 10.

FIG. 15 is the top view of the beverage vessel's housing shown in FIG. 2.

FIG. 16 is the bottom view of the beverage vessel's housing shown in FIG. 2.

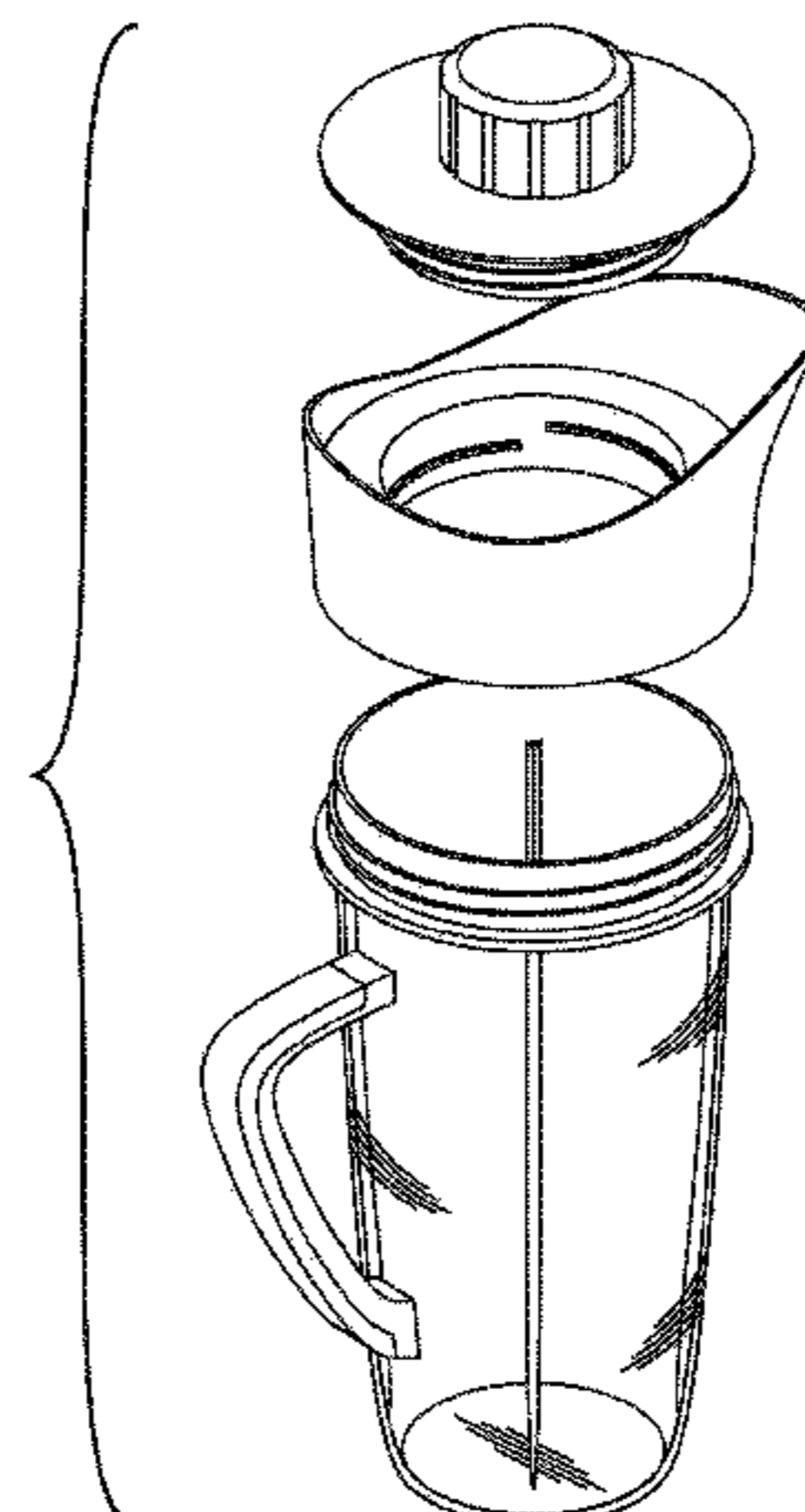
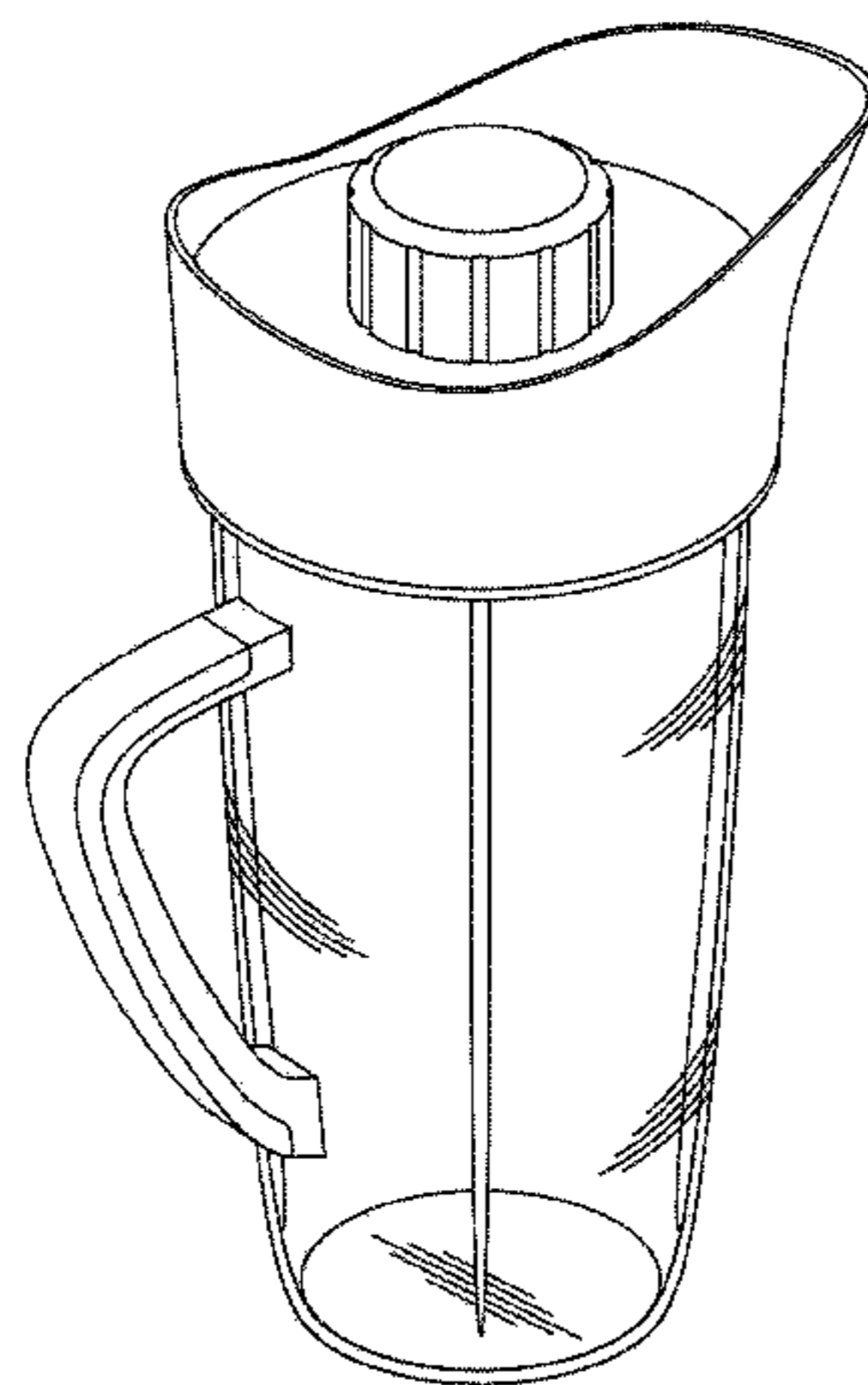
FIG. 17 is the left view of the housing shown in FIGS. 15 and 16.

FIG. 18 is the right view of the housing shown in FIGS. 15 and 16.

FIG. 19 is the front view of the housing shown in FIGS. 15 and 16; and,

FIG. 20 is the back view of the housing shown in FIGS. 15 and 16.

**1 Claim, 11 Drawing Sheets**



(56)

References Cited

U.S. PATENT DOCUMENTS

D227,142 S \* 6/1973 Swett ..... D7/319  
 3,785,579 A 1/1974 Voglesonger et al.  
 D232,897 S \* 9/1974 Kemnitzer ..... D7/317  
 3,926,350 A \* 12/1975 Muehlhausen et al. .... 222/475  
 4,095,123 A 6/1978 Takahashi  
 4,111,372 A 9/1978 Hicks et al.  
 D250,869 S \* 1/1979 Boelter ..... D7/319  
 D252,068 S \* 6/1979 Lovely ..... D7/668  
 4,396,159 A 8/1983 Podell  
 D285,515 S \* 9/1986 Papciak ..... D7/509  
 4,706,896 A 11/1987 Moon-Kau  
 4,741,482 A 5/1988 Coggiola et al.  
 4,817,878 A 4/1989 Shibata  
 5,338,111 A 8/1994 Trocherie et al.  
 5,695,282 A \* 12/1997 Hess ..... 366/256  
 6,350,053 B1 2/2002 Morton  
 6,513,966 B1 2/2003 Gort-Barten et al.  
 6,513,967 B2 2/2003 Masip et al.  
 6,540,394 B2 4/2003 Juriga  
 6,554,466 B1 4/2003 Lee  
 6,637,681 B1 10/2003 Planca et al.  
 6,666,574 B1 \* 12/2003 Pryor ..... 366/205  
 D501,759 S \* 2/2005 Sands ..... D7/536  
 6,948,670 B2 9/2005 Kujawski et al.  
 D519,321 S \* 4/2006 Sands ..... D7/523  
 D531,445 S \* 11/2006 Bodum ..... D7/312

D535,854 S \* 1/2007 Schreitmueller ..... D7/398  
 D536,216 S \* 2/2007 Sands ..... D7/507  
 7,318,666 B1 1/2008 Lin  
 D587,512 S \* 3/2009 Dorney et al. .... D7/318  
 7,641,380 B2 1/2010 Behar et al.  
 D610,859 S \* 3/2010 Lundstrom ..... D7/319  
 7,677,485 B2 3/2010 Gursel  
 D613,989 S \* 4/2010 Smith ..... D7/319  
 7,909,501 B2 3/2011 Eden  
 7,958,819 B2 \* 6/2011 Sands ..... 99/513  
 8,122,821 B2 2/2012 Sands  
 8,132,752 B1 3/2012 Hotaling et al.  
 D663,586 S 7/2012 Audette  
 D720,174 S \* 12/2014 Melzer et al. .... D7/319  
 2003/0230658 A1 \* 12/2003 Ling et al. .... 241/282.1

FOREIGN PATENT DOCUMENTS

WO WO9101519 3/2000  
 WO PCT/AU2011/001542 6/2002  
 WO WO2007003945 10/2007  
 WO PCT/US2009/043571 11/2009

OTHER PUBLICATIONS

U.S. Appl. No. 13/284,882, filed May 3, 2012, Sands.  
 U.S. Appl. No. 13/501,809, filed Sep. 27, 2012, Santos.

\* cited by examiner

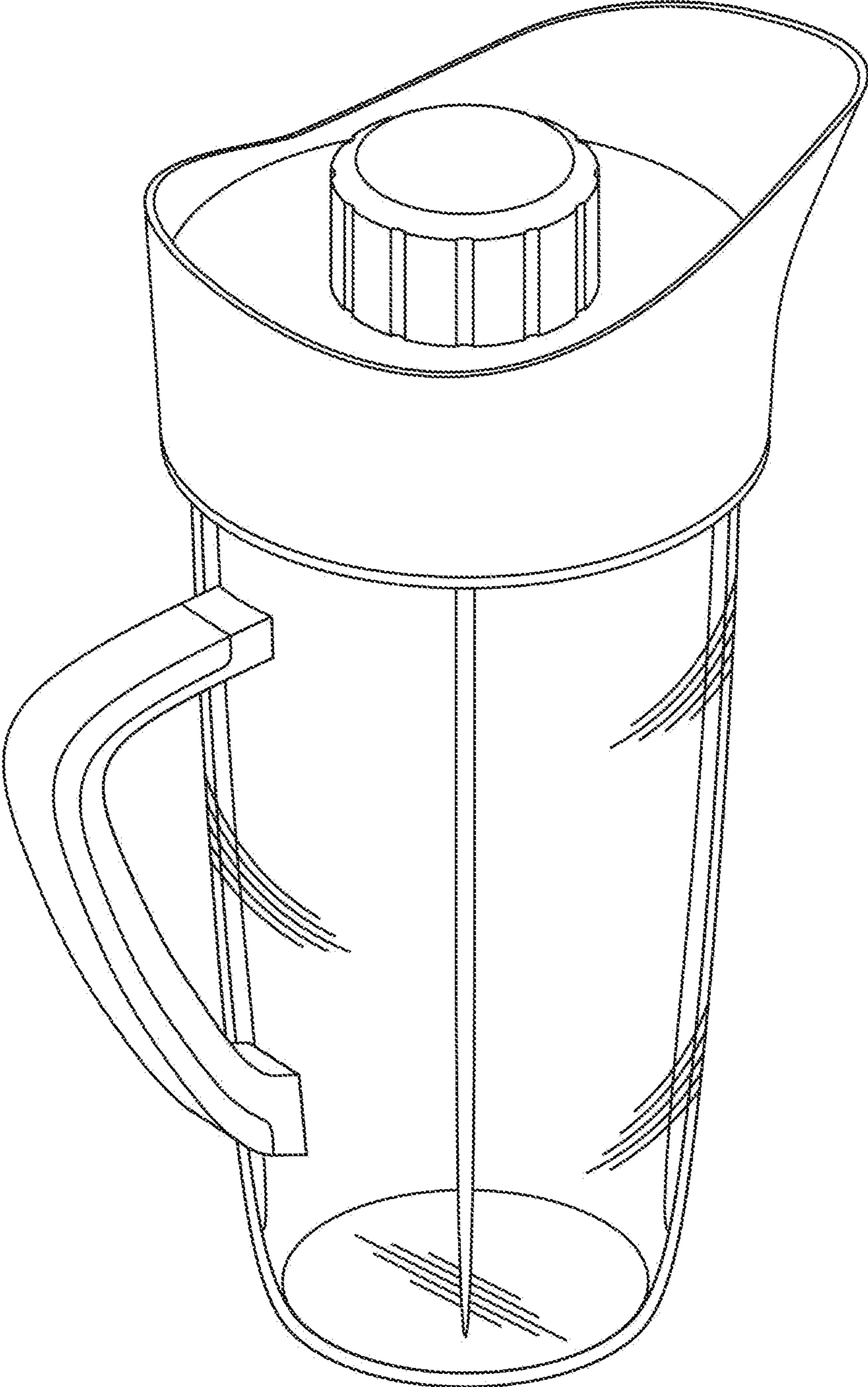


Fig. 1



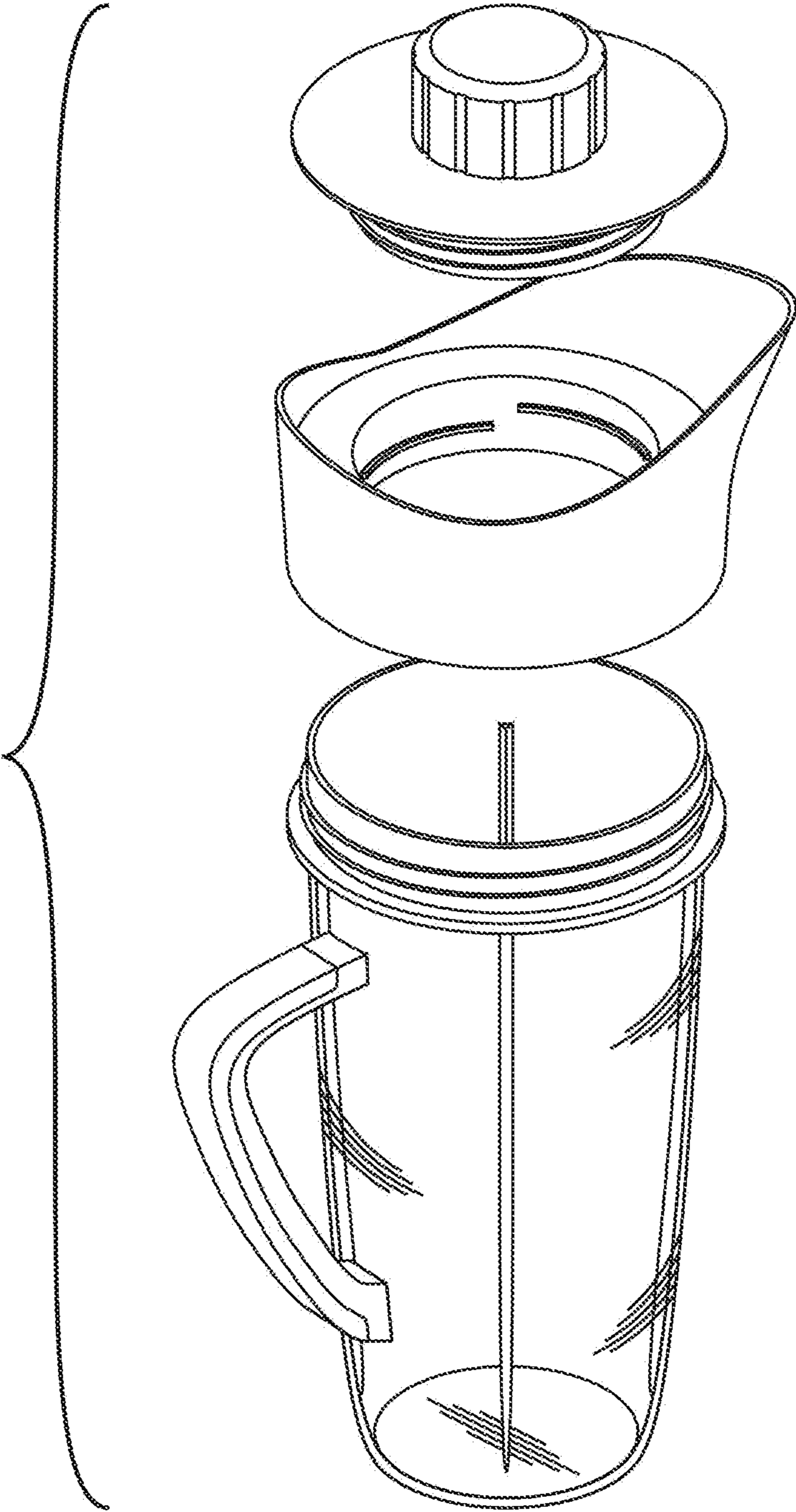


Fig. 2

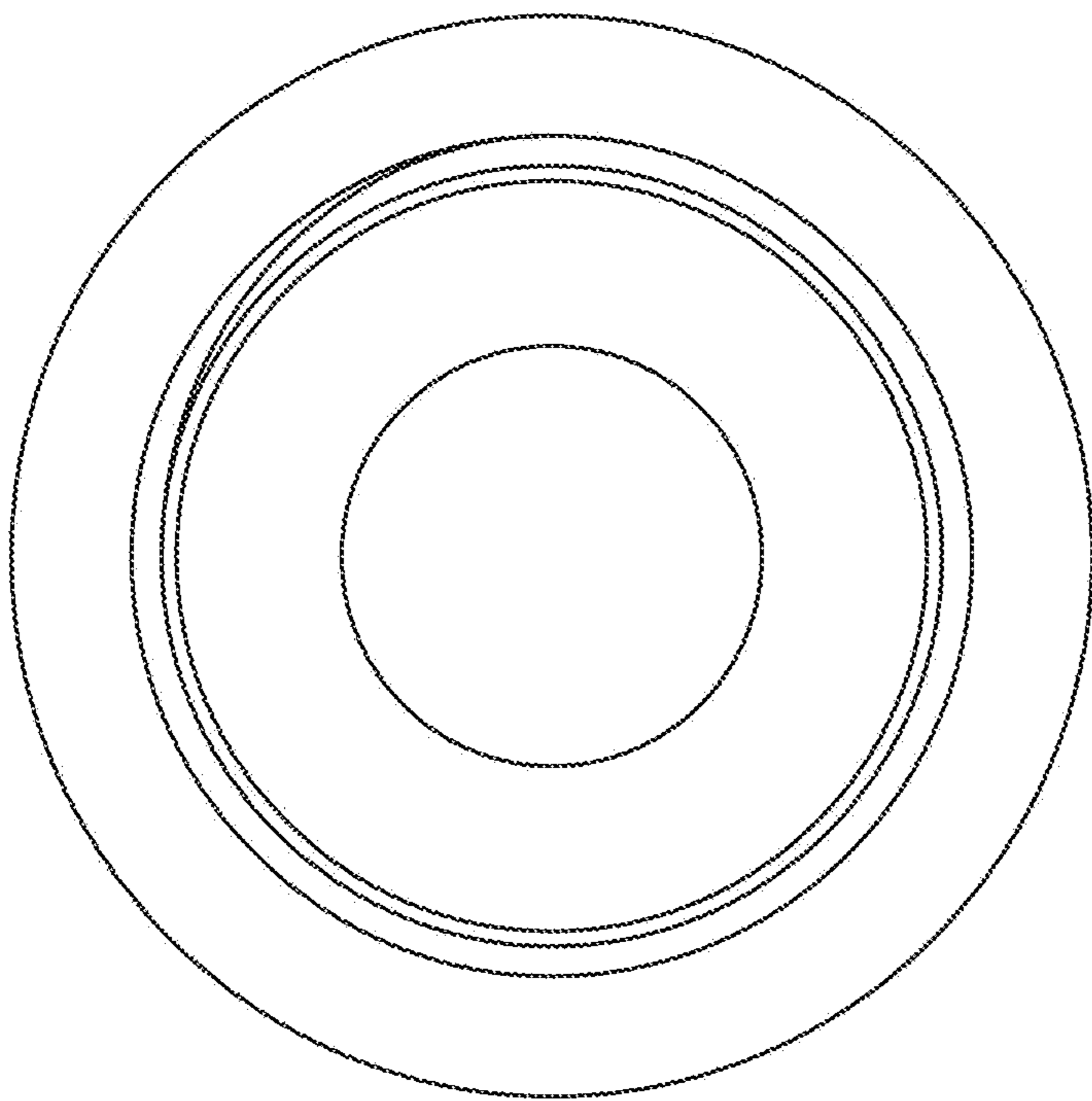


Fig. 4

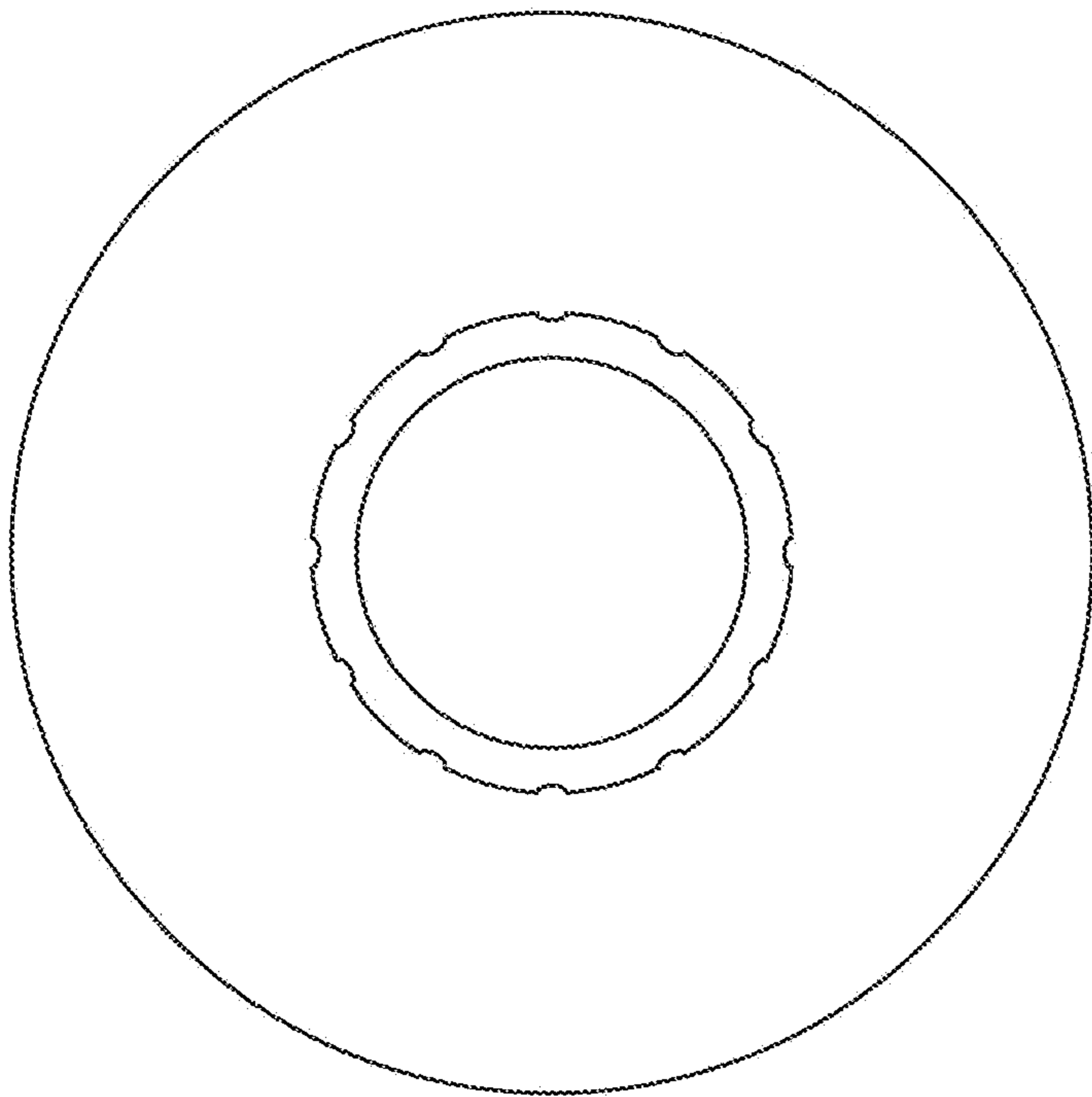


Fig. 3

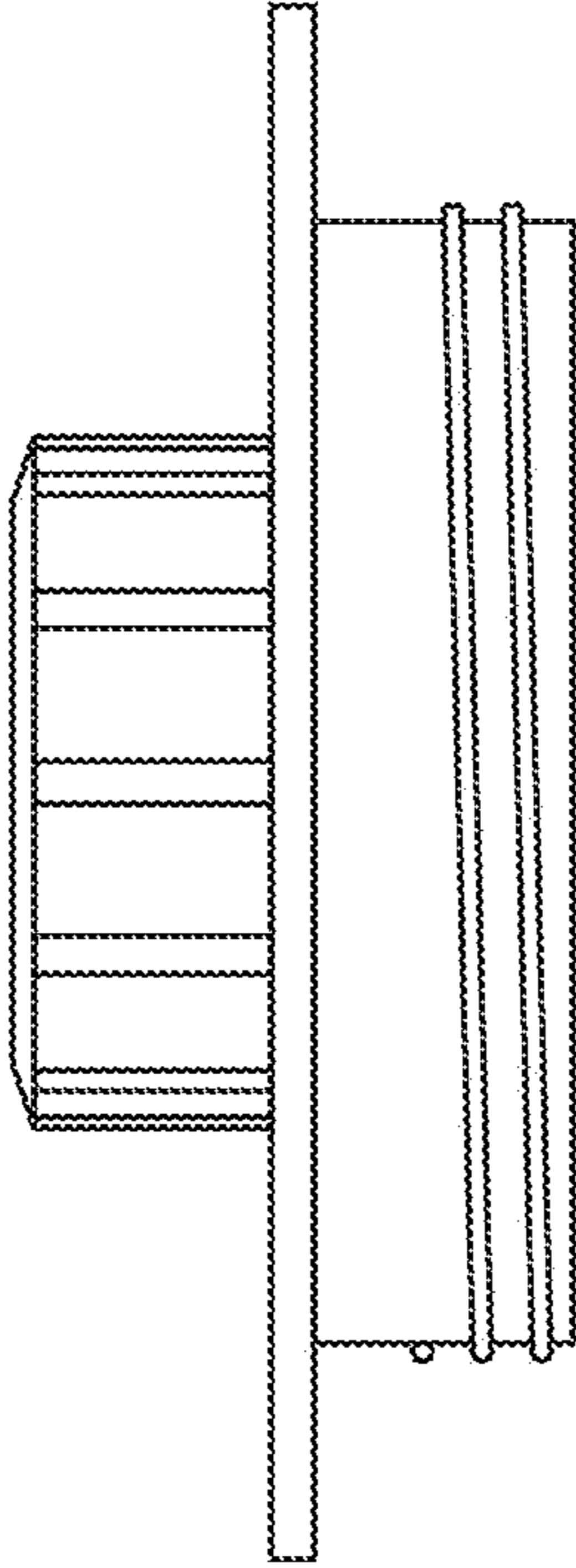


Fig. 6

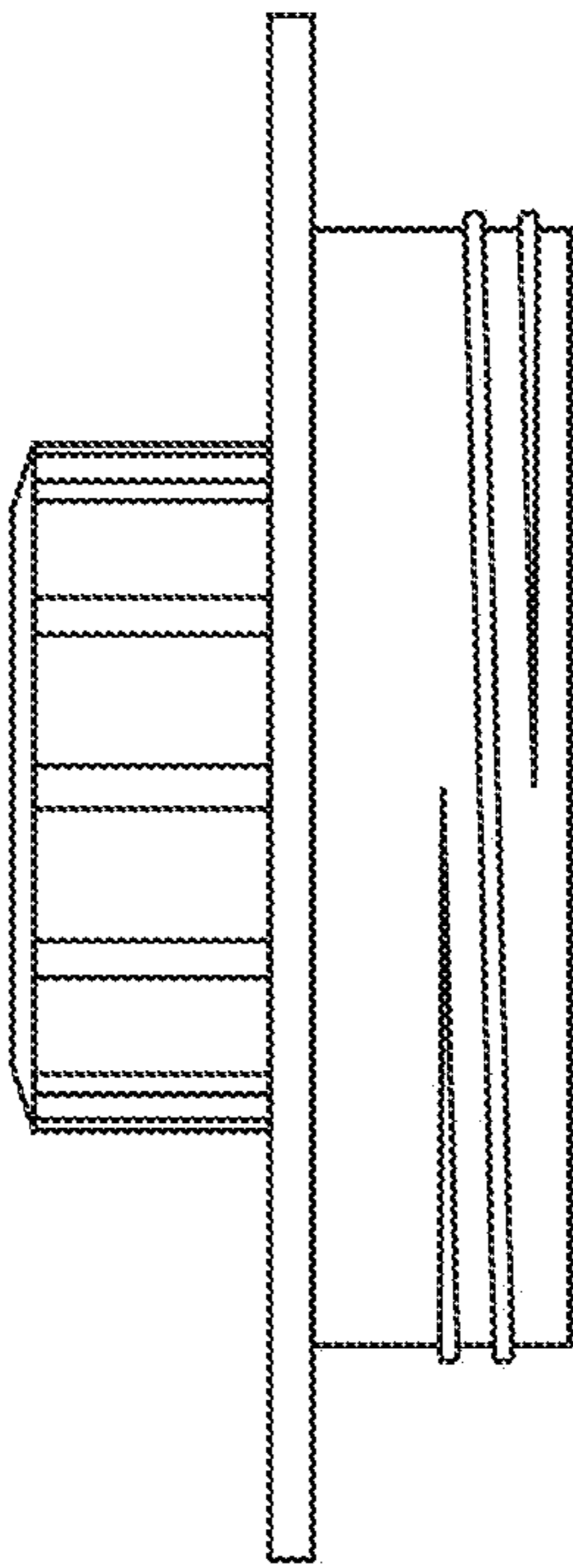


Fig. 5

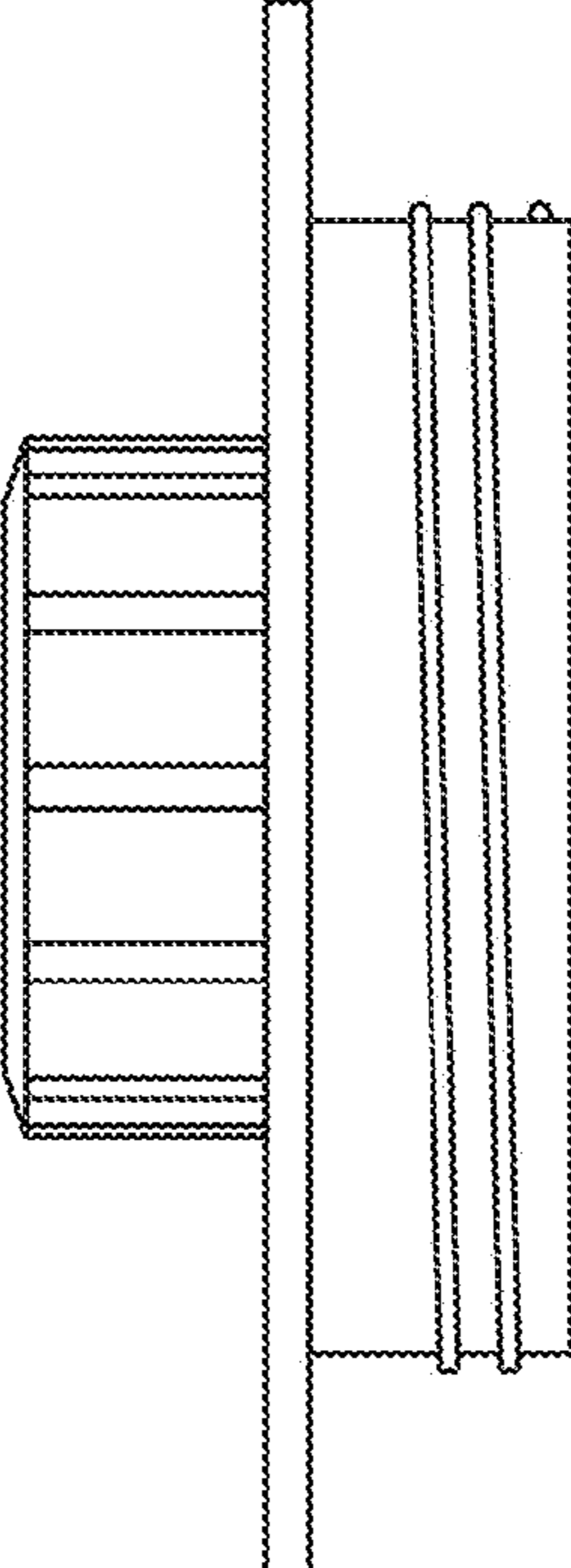


Fig. 8

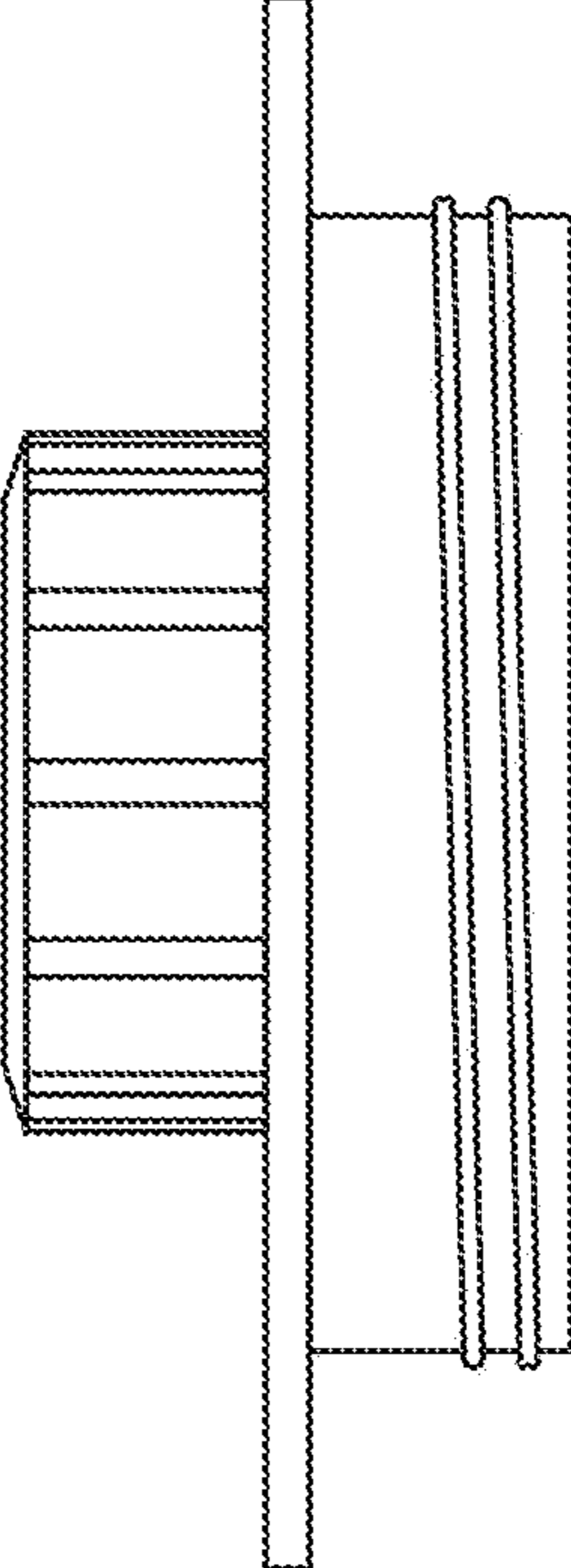


Fig. 7

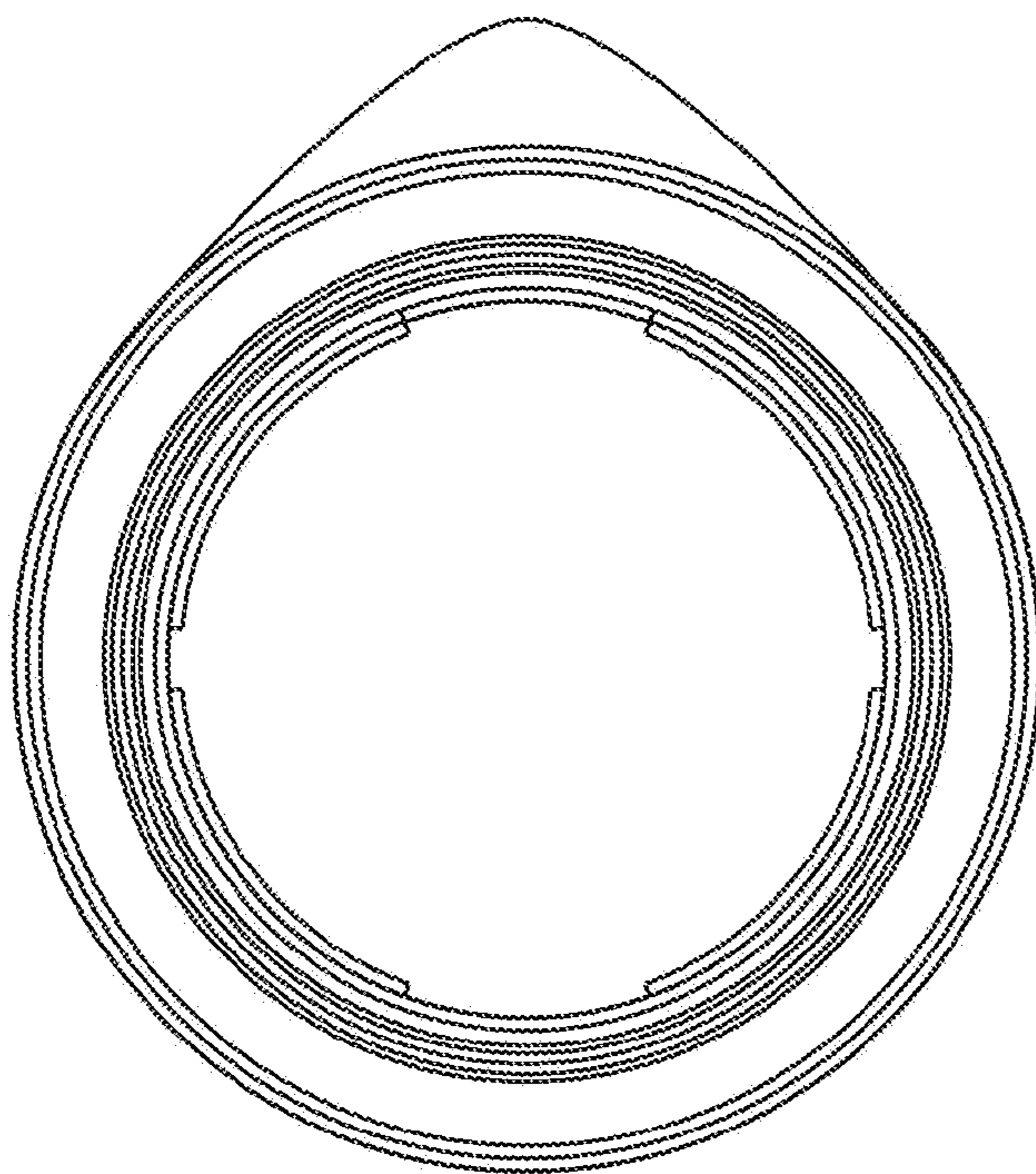


Fig. 9

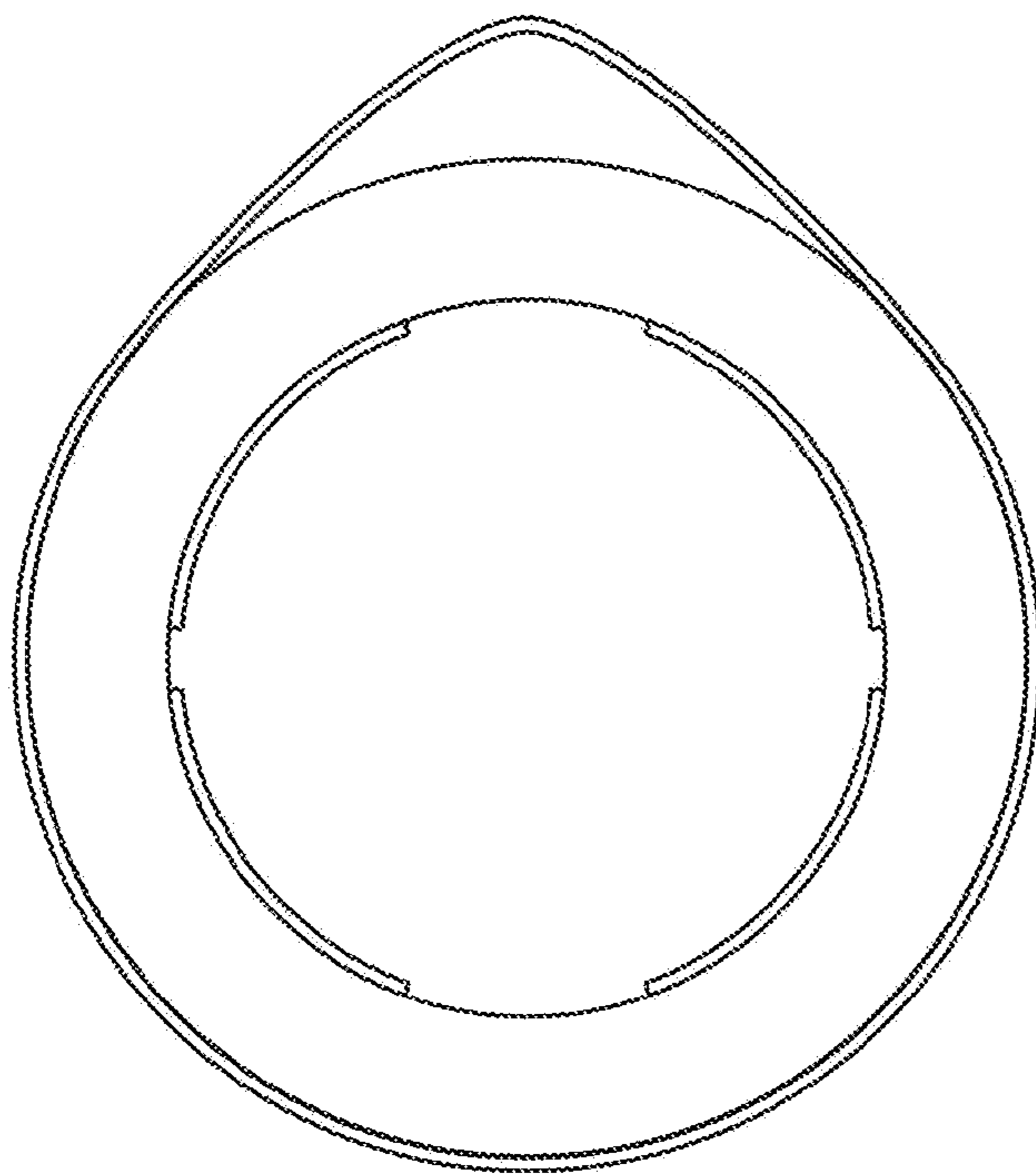


Fig. 10



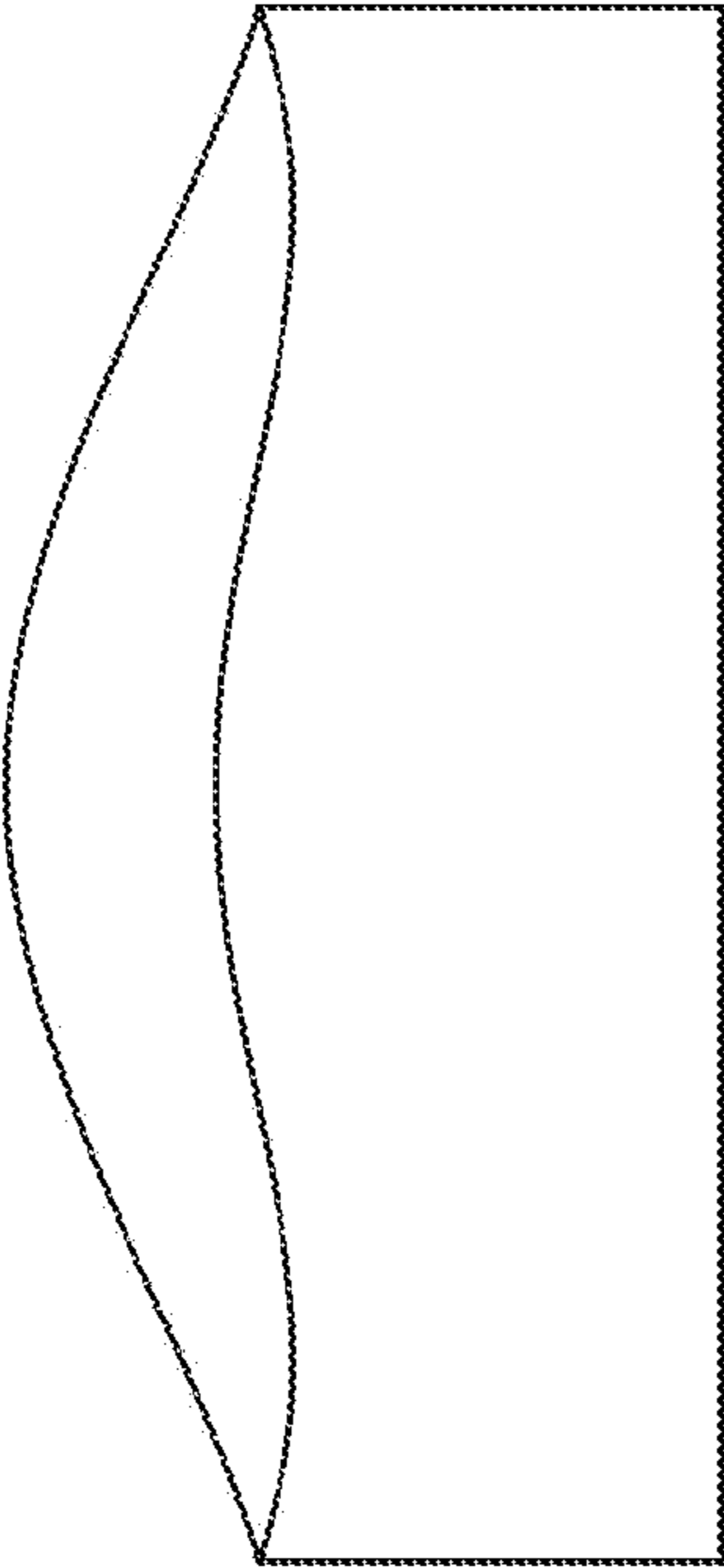


Fig. 11

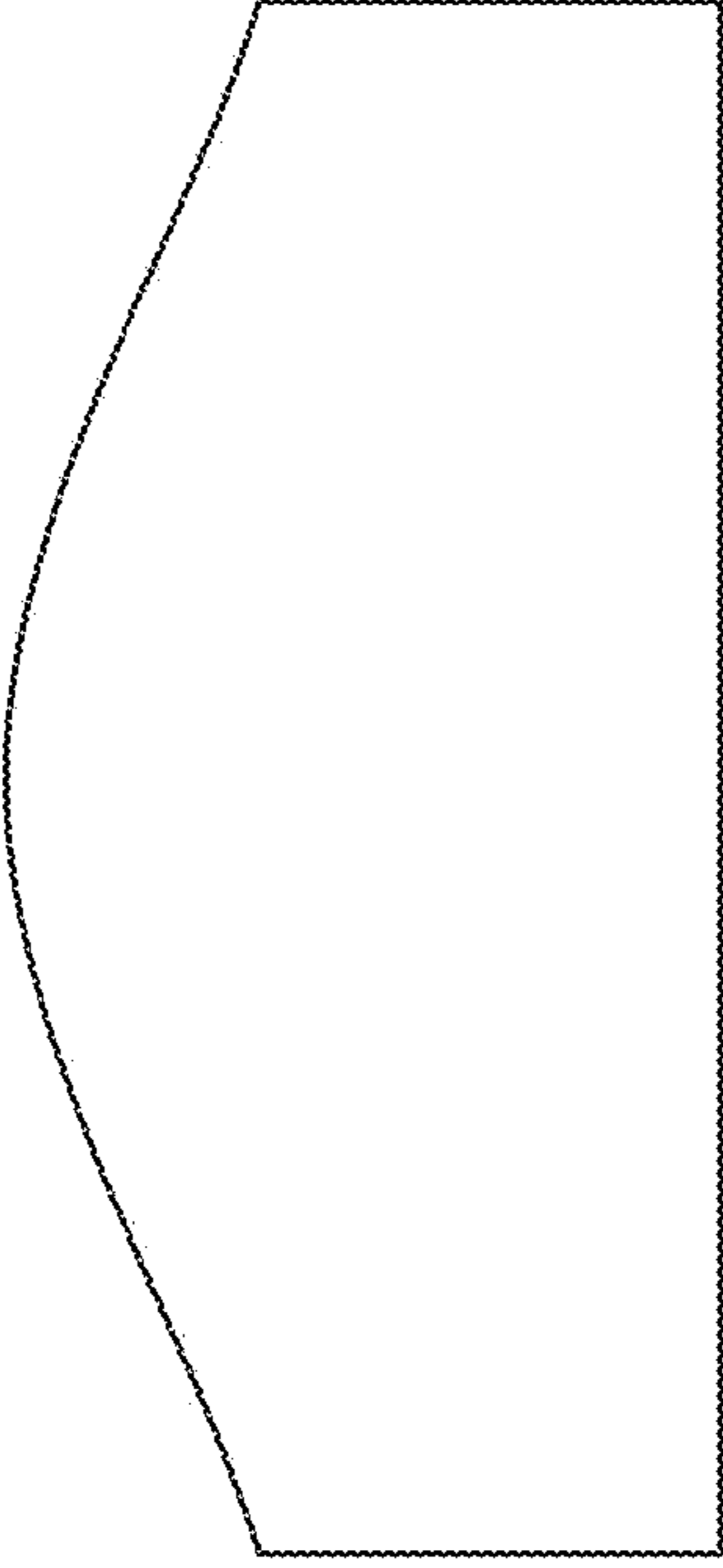


Fig. 12

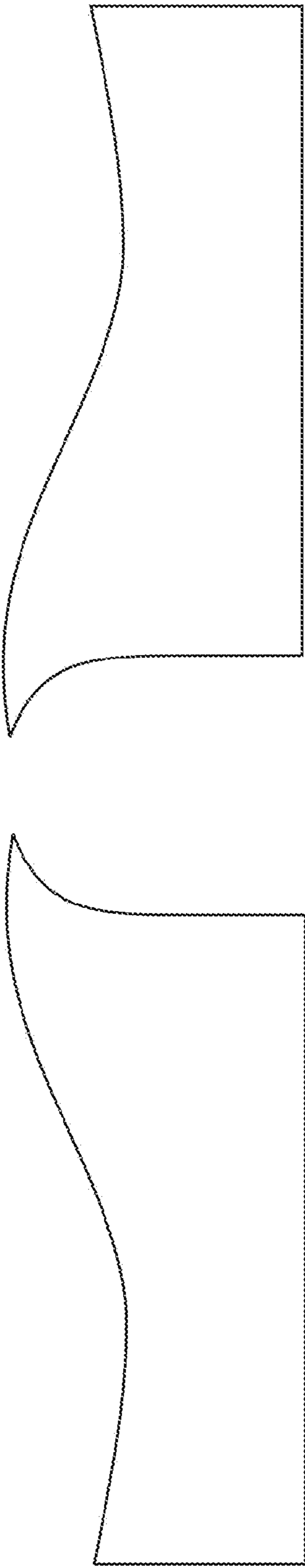


Fig. 14

Fig. 13

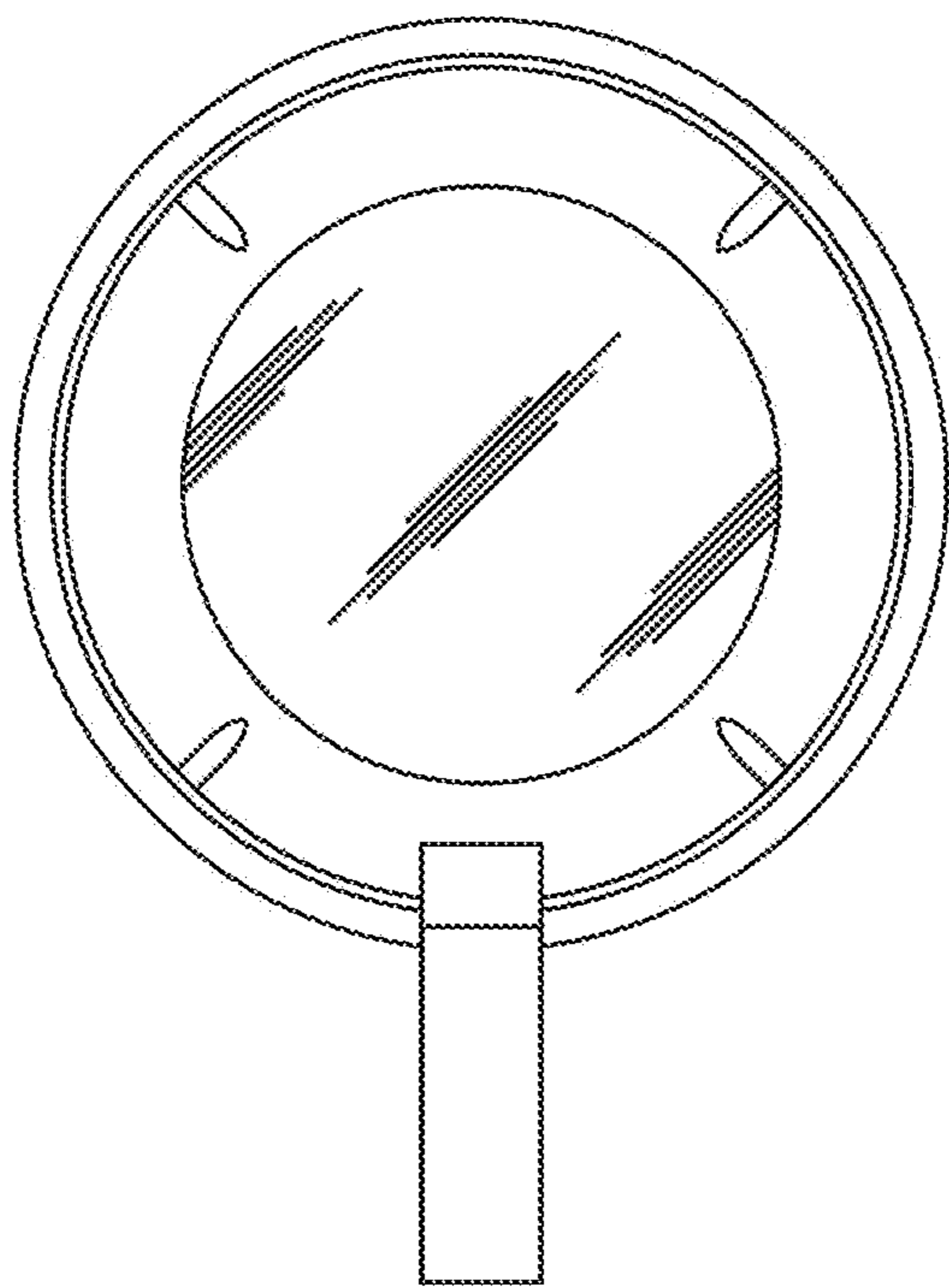


Fig. 16

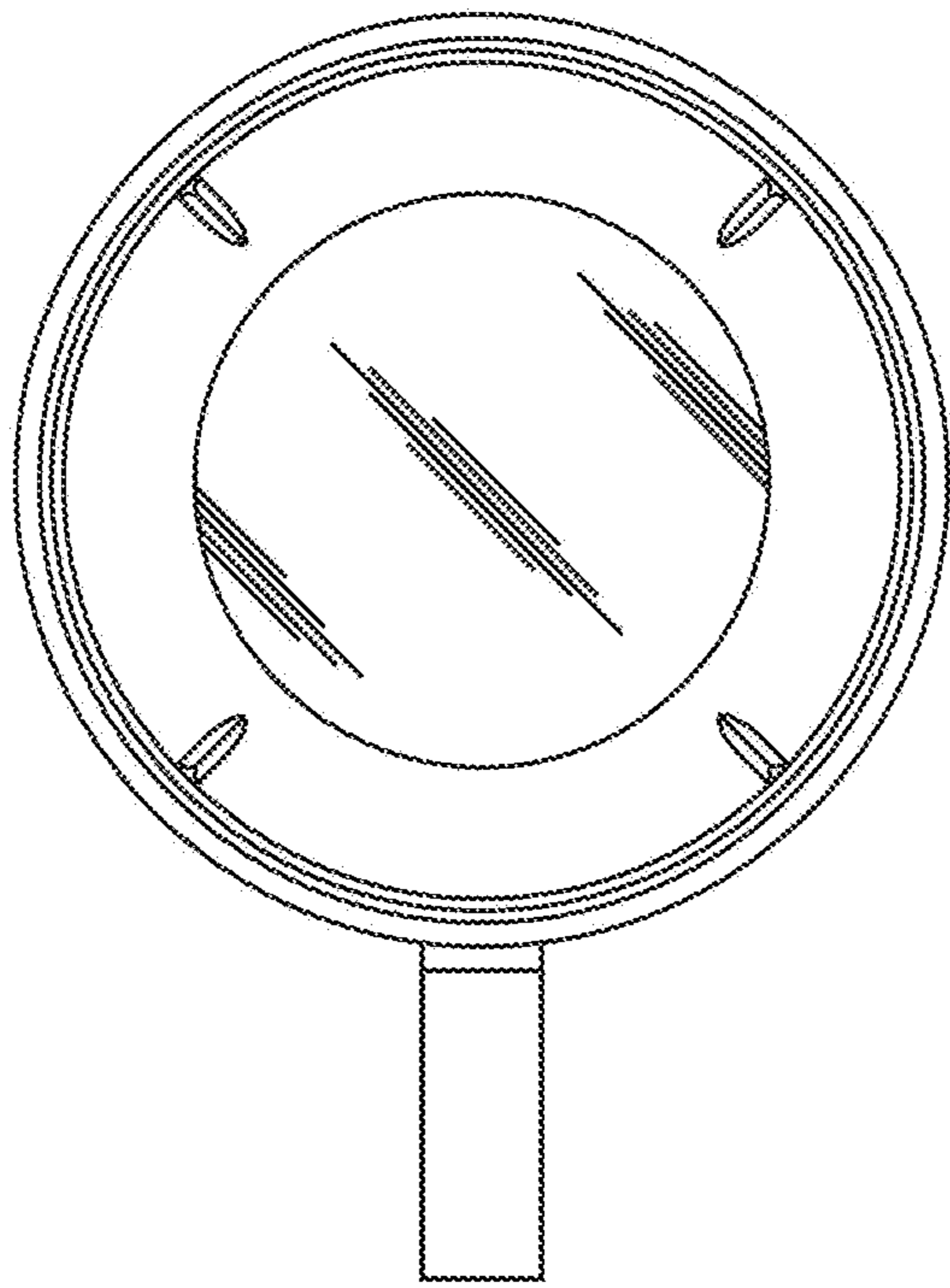


Fig. 15

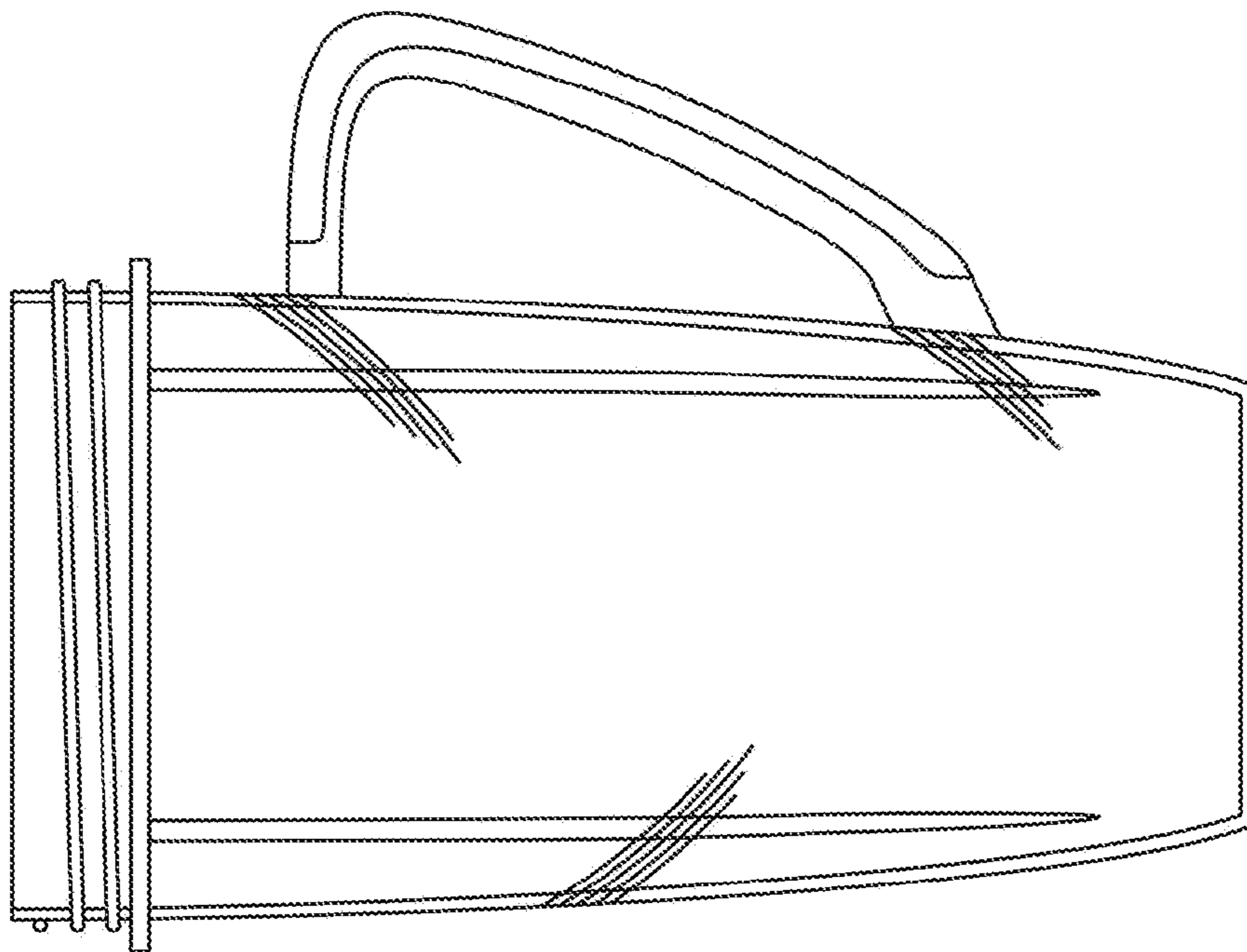


Fig. 18

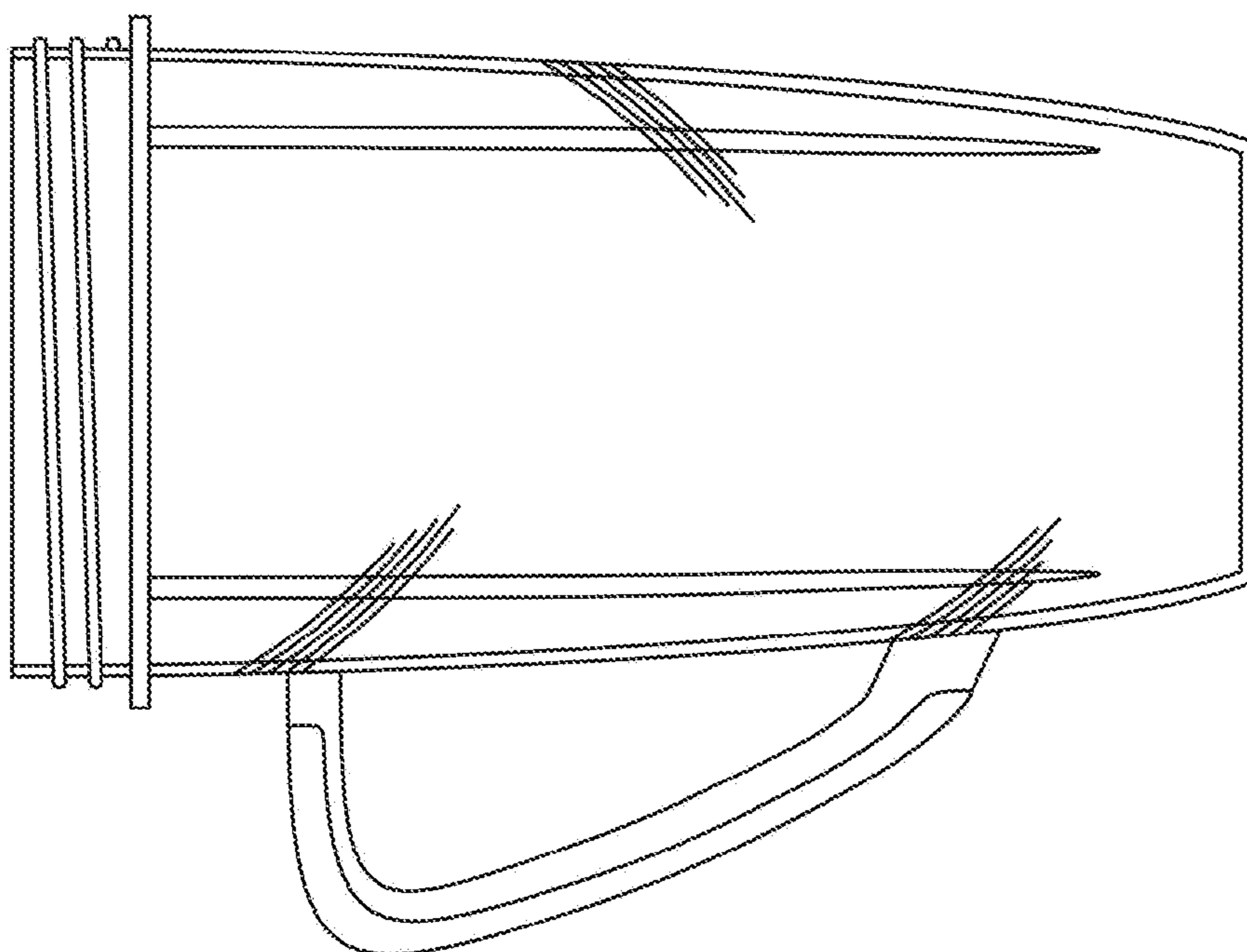


Fig. 17



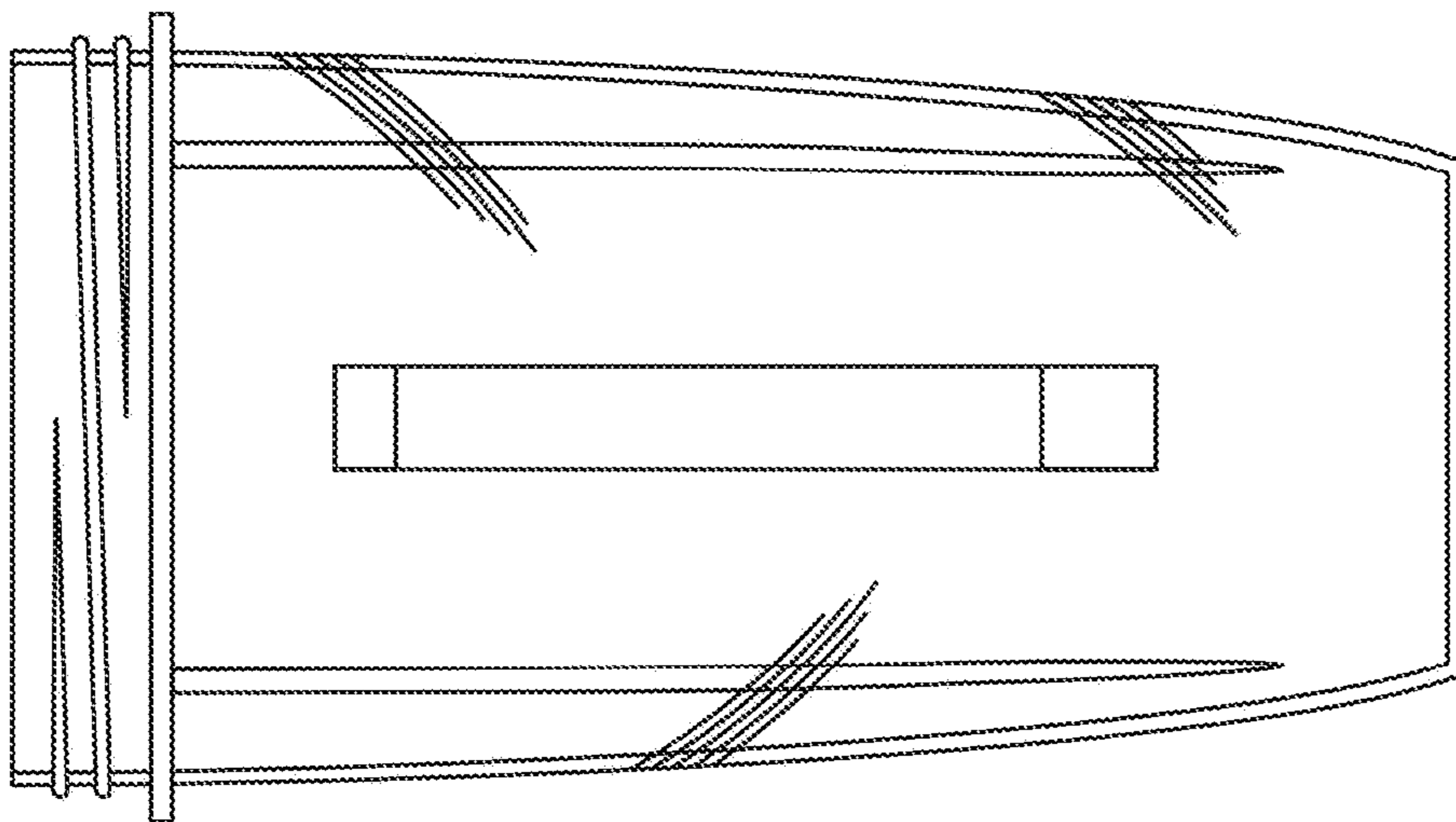


Fig. 20

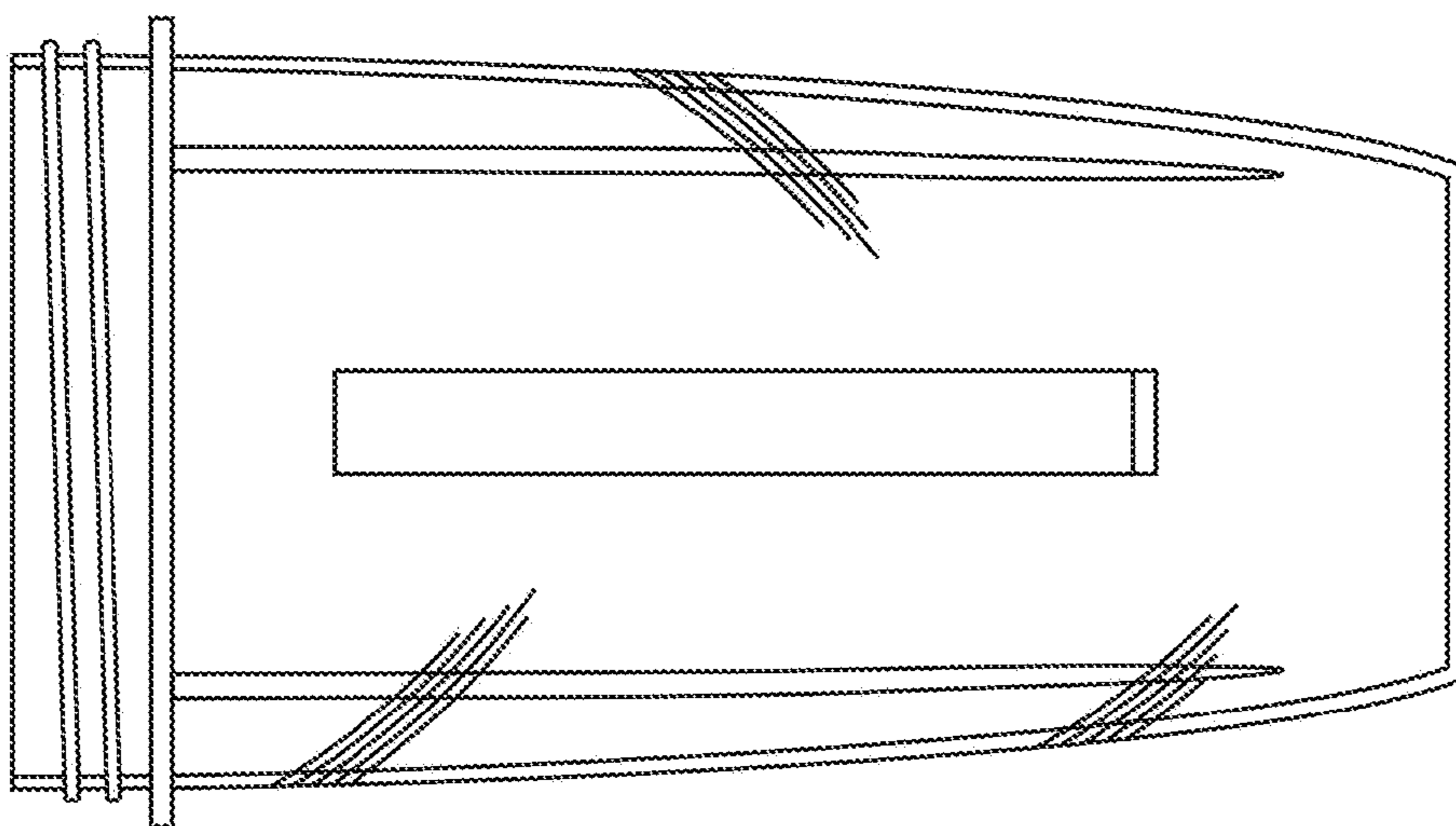


Fig. 19