



US00D738668S

(12) **United States Design Patent**
Büttler

(10) **Patent No.:** **US D738,668 S**

(45) **Date of Patent:** **** Sep. 15, 2015**

(54) **COFFEE MACHINE**

(71) Applicant: **Jura Elektroapparate AG,**
Niederbuchsiten (CH)

(72) Inventor: **Ronald Büttler, Zürich (CH)**

(73) Assignee: **Jura Elektroapparate AG,**
Niederbuchsiten (CH)

(**) Term: **14 Years**

(21) Appl. No.: **29/489,933**

(22) Filed: **May 5, 2014**

(51) **LOC (10) Cl.** **07-01**

(52) **U.S. Cl.**
USPC **D7/309; D7/311**

(58) **Field of Classification Search**
USPC D7/306-311, 305, 300, 313; 99/279,
99/284, 290, 280, 299, 307, 323.1;
222/23, 129.1; 62/395; D20/1
CPC A47J 31/44; B67D 1/0041; B67D 3/00
See application file for complete search history.

(56) **References Cited**

U.S. PATENT DOCUMENTS

D319,943 S	*	9/1991	Sexton et al.	D7/308
D523,279 S	*	6/2006	Zemp	D7/309
D561,514 S	*	2/2008	Cortese et al.	D7/309
D570,636 S	*	6/2008	Kulujian et al.	D7/306
D581,716 S	*	12/2008	Harris, III	D7/307
D584,096 S	*	1/2009	Lutz	D7/307
D595,991 S	*	7/2009	Zimmerman	D7/307
D598,693 S	*	8/2009	Kindler et al.	D7/309
D610,389 S	*	2/2010	Borin et al.	D7/309
D645,289 S	*	9/2011	Lenzi	D7/309
D646,108 S	*	10/2011	Zoppellari	D7/309
D646,109 S	*	10/2011	Zoppellari	D7/309

D647,356 S	*	10/2011	De' Longhi	D7/309
D648,973 S	*	11/2011	De' Longhi	D7/309
D660,071 S	*	5/2012	Berlencourt	D7/309
D663,566 S	*	7/2012	Feder	D7/309
D665,218 S	*	8/2012	Iseli	D7/309
D670,131 S	*	11/2012	Feder	D7/309
D672,999 S	*	12/2012	De' Longhi	D7/309
D675,860 S	*	2/2013	Tonelli et al.	D7/309
D682,599 S	*	5/2013	Bolzicco et al.	D7/309
D701,071 S	*	3/2014	Buttler	D7/306
D723,318 S	*	3/2015	Andreesen	D7/309

OTHER PUBLICATIONS

Design U.S. Appl. No. 29/491,916, filed May 27, 2014; In re: Gebhardt entitled *Coffee Machine*.
Notice of Allowance from U.S. Appl. No. 29/491,916 mailed Apr. 28, 2015.

* cited by examiner

Primary Examiner — Marianne Pandozzi

(74) *Attorney, Agent, or Firm* — Alston & Bird LLP

(57) **CLAIM**

I claim the ornamental design for a coffee machine, as shown and described.

DESCRIPTION

FIG. 1 is a perspective view of a coffee machine showing my new design;

FIG. 2 is a front elevation view thereof;

FIG. 3 is a rear elevation view thereof;

FIG. 4 is a right side elevation view thereof;

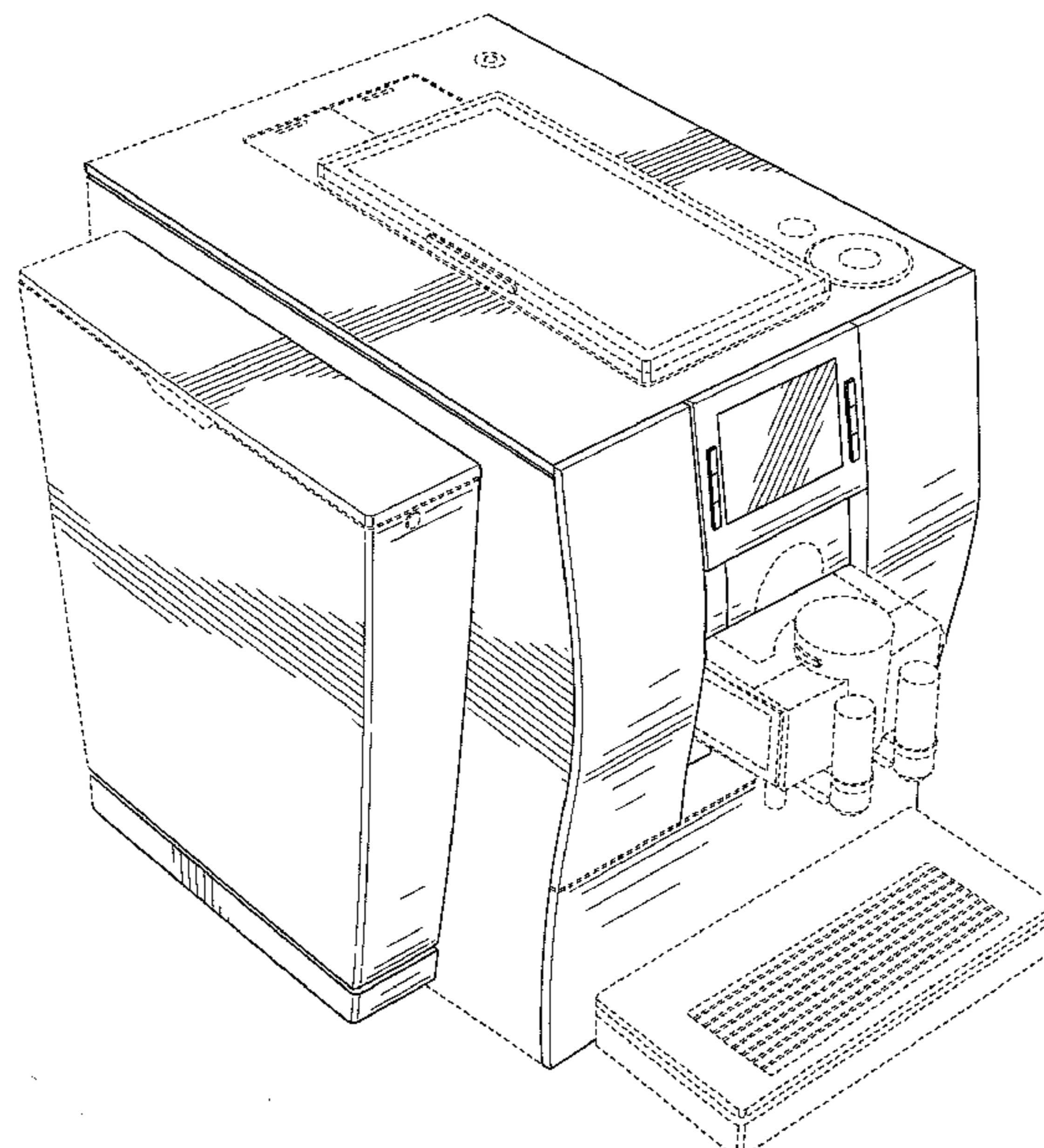
FIG. 5 is a left side elevation view thereof;

FIG. 6 is a top plan view thereof; and,

FIG. 7 is a bottom plan view thereof.

The broken lines in the drawings are included for the purpose of illustration and form no part of the claimed design.

1 Claim, 7 Drawing Sheets



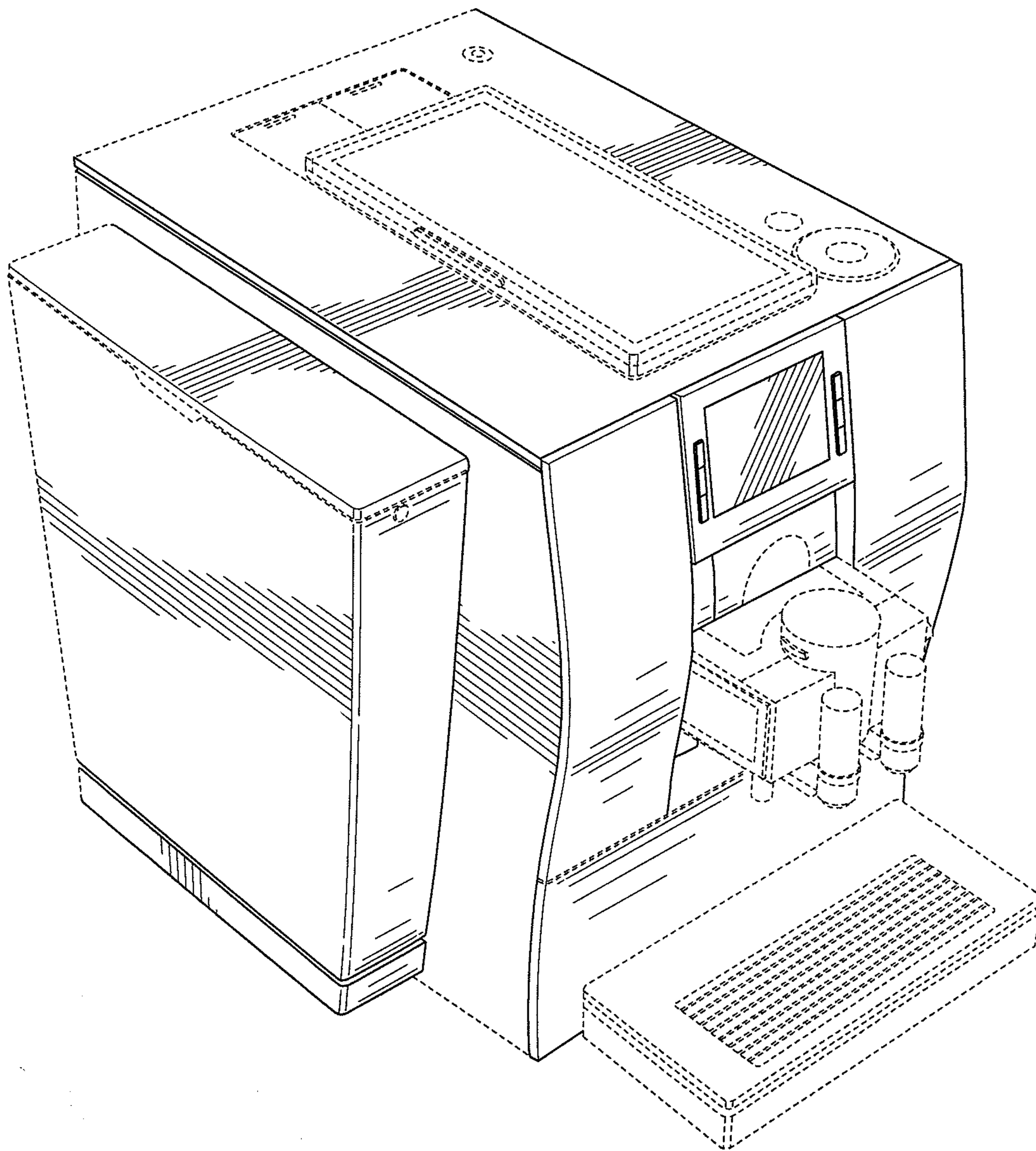


FIG. 1

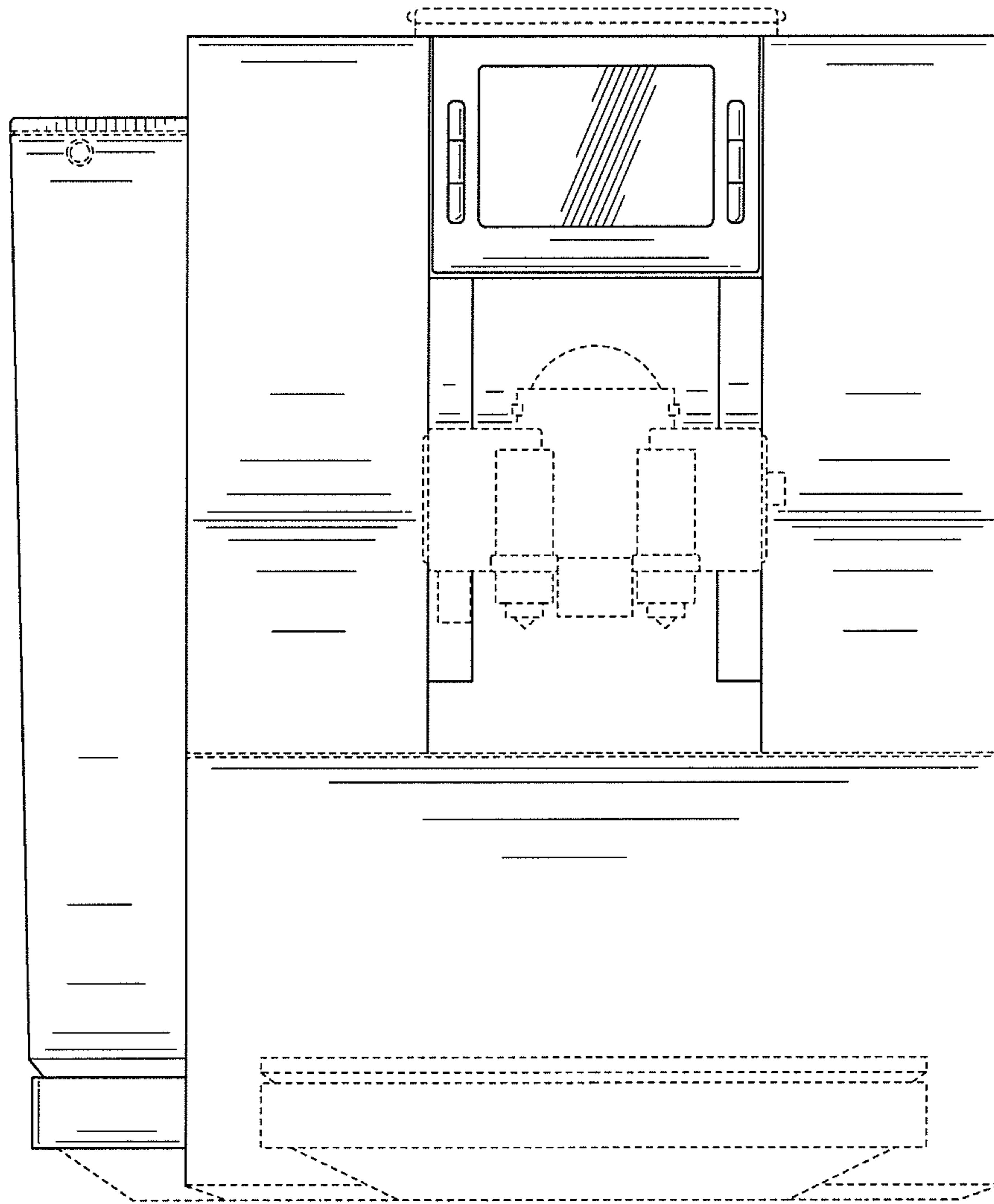


FIG. 2

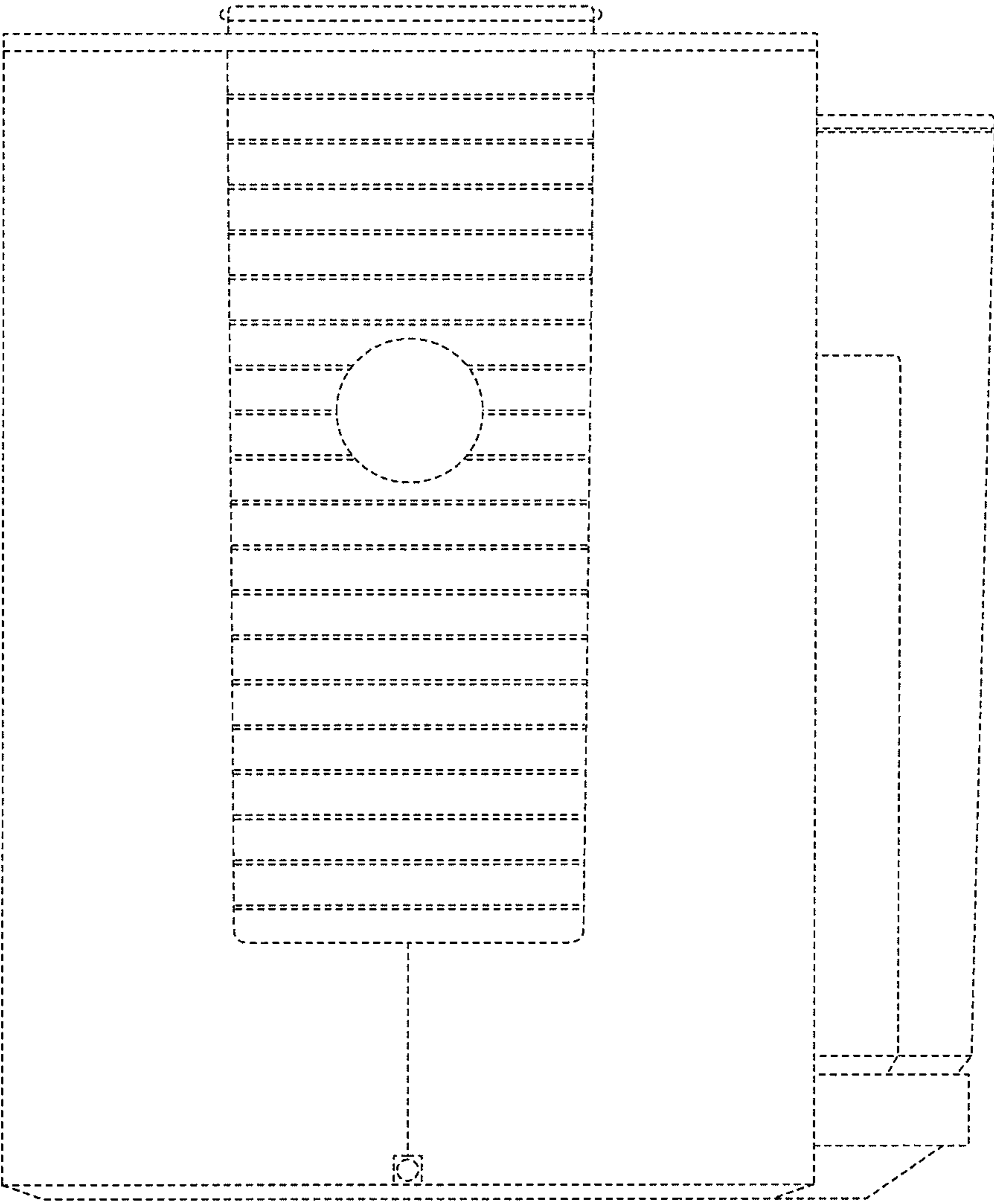


FIG. 3

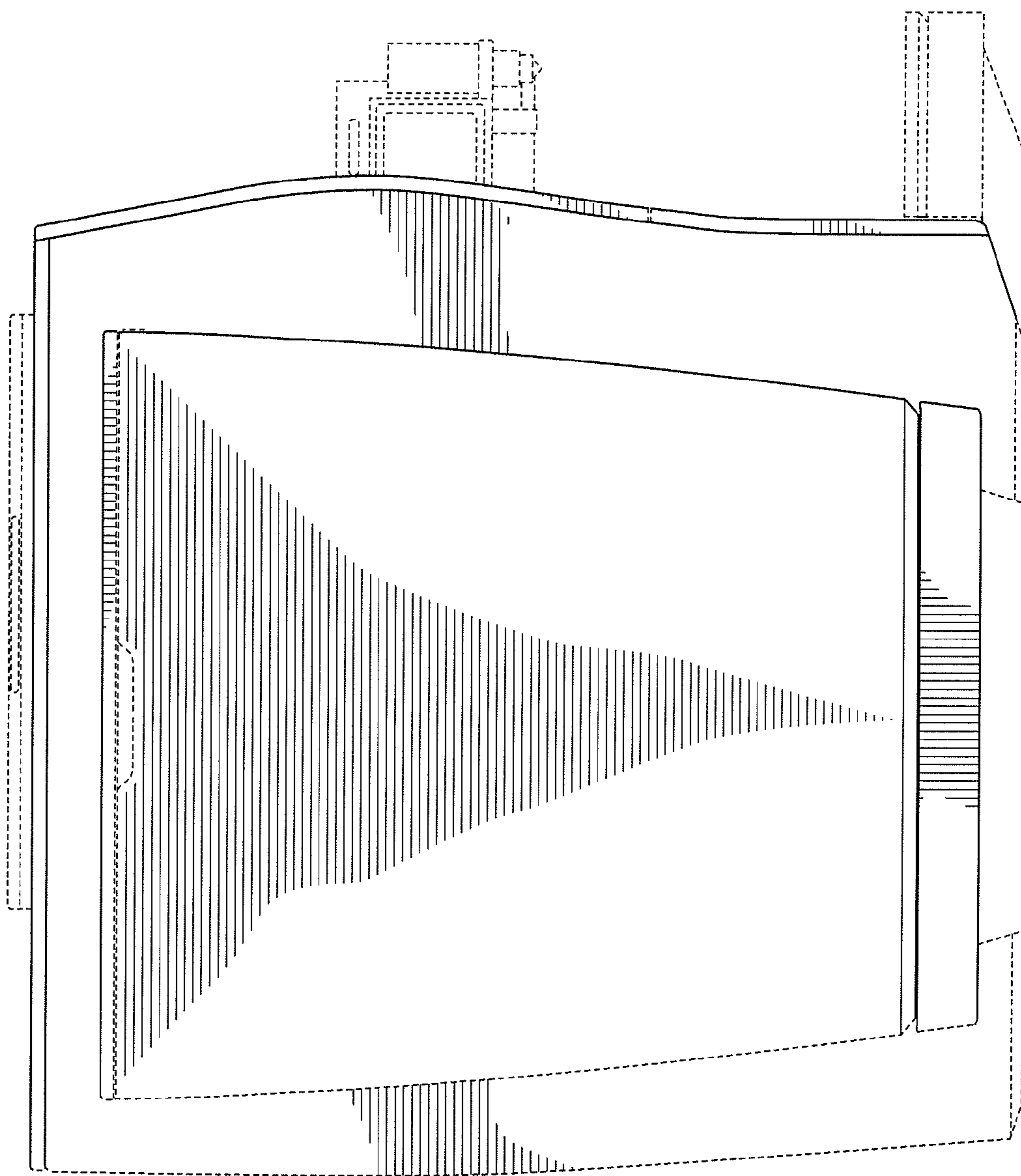


FIG. 4

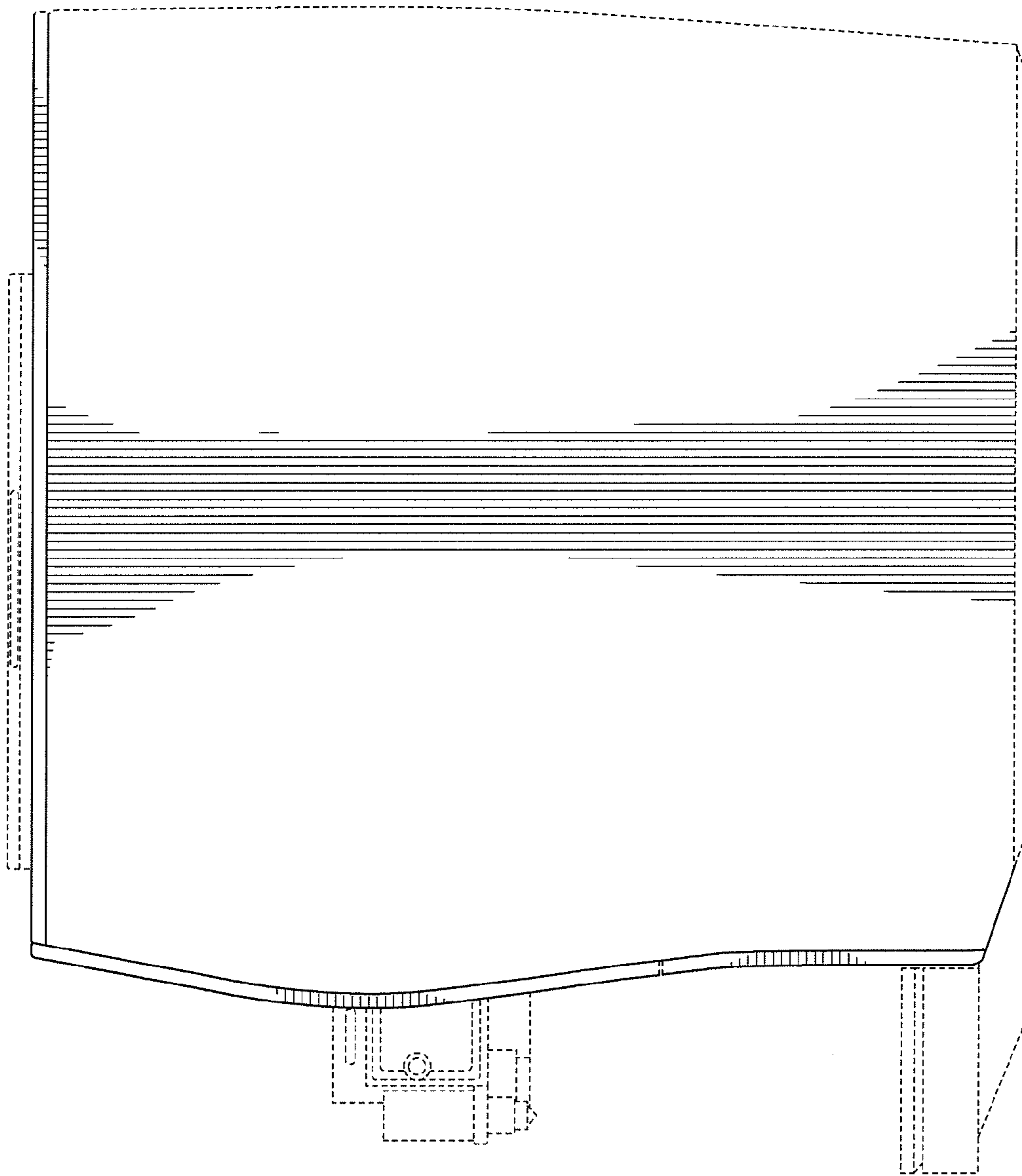


FIG. 5

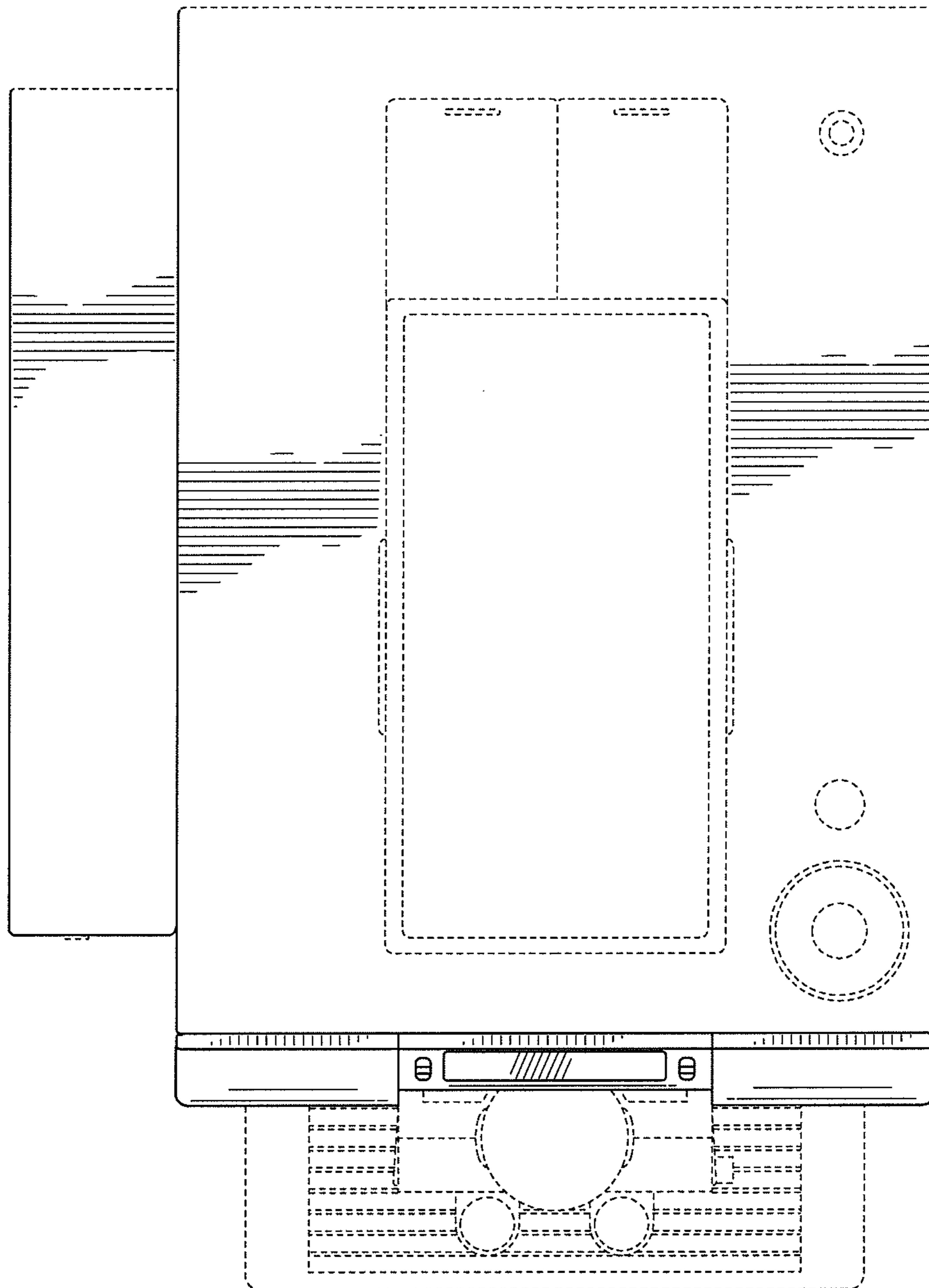


FIG. 6

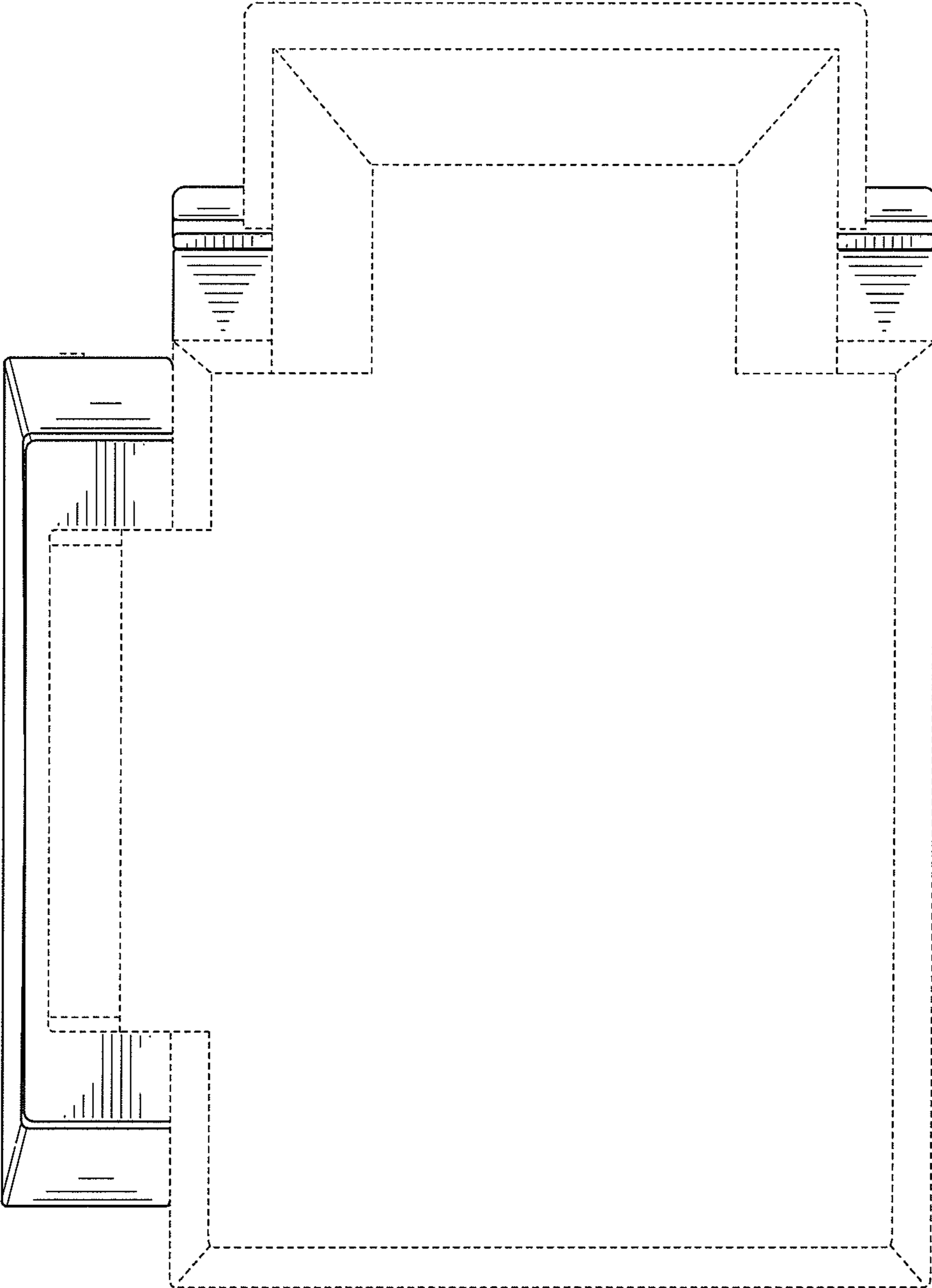


FIG. 7