



US00D738666S

(12) **United States Design Patent**
Harvey et al.

(10) **Patent No.:** **US D738,666 S**

(45) **Date of Patent:** **** Sep. 15, 2015**

(54) **BEVERAGE DISPENSER**

(56) **References Cited**

(71) Applicant: **The Coca-Cola Company**, Atlanta, GA
(US)

U.S. PATENT DOCUMENTS

(72) Inventors: **David Harvey**, Suwanee, GA (US);
Daniel S. Quartarone, Atlanta, GA
(US); **Jae Ho Cha**, Woodstock, GA
(US); **Kris Tomasson**, Atlanta, GA (US);
Simon Alan Daniel, London (GB);
Christopher Michael Weston, London
(GB); **Robert Christopher Young**,
London (GB); **Siriphong**
Roongruengvuthikul, London (GB)

D75,151 S *	5/1928	Cordley	D7/313
D82,798 S *	12/1930	Crosby	D7/301
D355,995 S *	3/1995	Stoddard et al.	D6/658
D371,713 S *	7/1996	Credle, Jr.	D7/301
D375,649 S *	11/1996	Henninger et al.	D7/301
D378,260 S *	3/1997	Precelton	D7/301
5,607,211 A *	3/1997	Henninger et al.	312/204
5,752,624 A *	5/1998	Vinson et al.	222/78
D632,519 S *	2/2011	Zimmermann	D7/301

* cited by examiner

Primary Examiner — Marianne Pandozzi
(74) *Attorney, Agent, or Firm* — McAndrews Held & Malloy, Ltd.

(73) Assignee: **THE COCA-COLA COMPANY**,
Atlanta, GA (US)

(57) **CLAIM**
The ornamental design for a beverage dispenser, as shown and described.

(**) Term: **14 Years**

DESCRIPTION

(21) Appl. No.: **29/490,648**

FIG. 1 is a front left perspective view of a first embodiment of a beverage dispenser showing our new design;
FIG. 2 is a front elevation view thereof;
FIG. 3 is a rear elevation view thereof;
FIG. 4 is a left-side elevation view thereof;
FIG. 5 is a right-side elevation view thereof;
FIG. 6 is a top plan view thereof;
FIG. 7 is a bottom plan view thereof; and,
FIG. 8 is a bottom right perspective view thereof.
The even length dashed broken lines are for environmental purposes only and form no part of the claimed design.
The uneven length dot-dash broken lines represent an unclaimed boundary line and form no part of the claimed design.

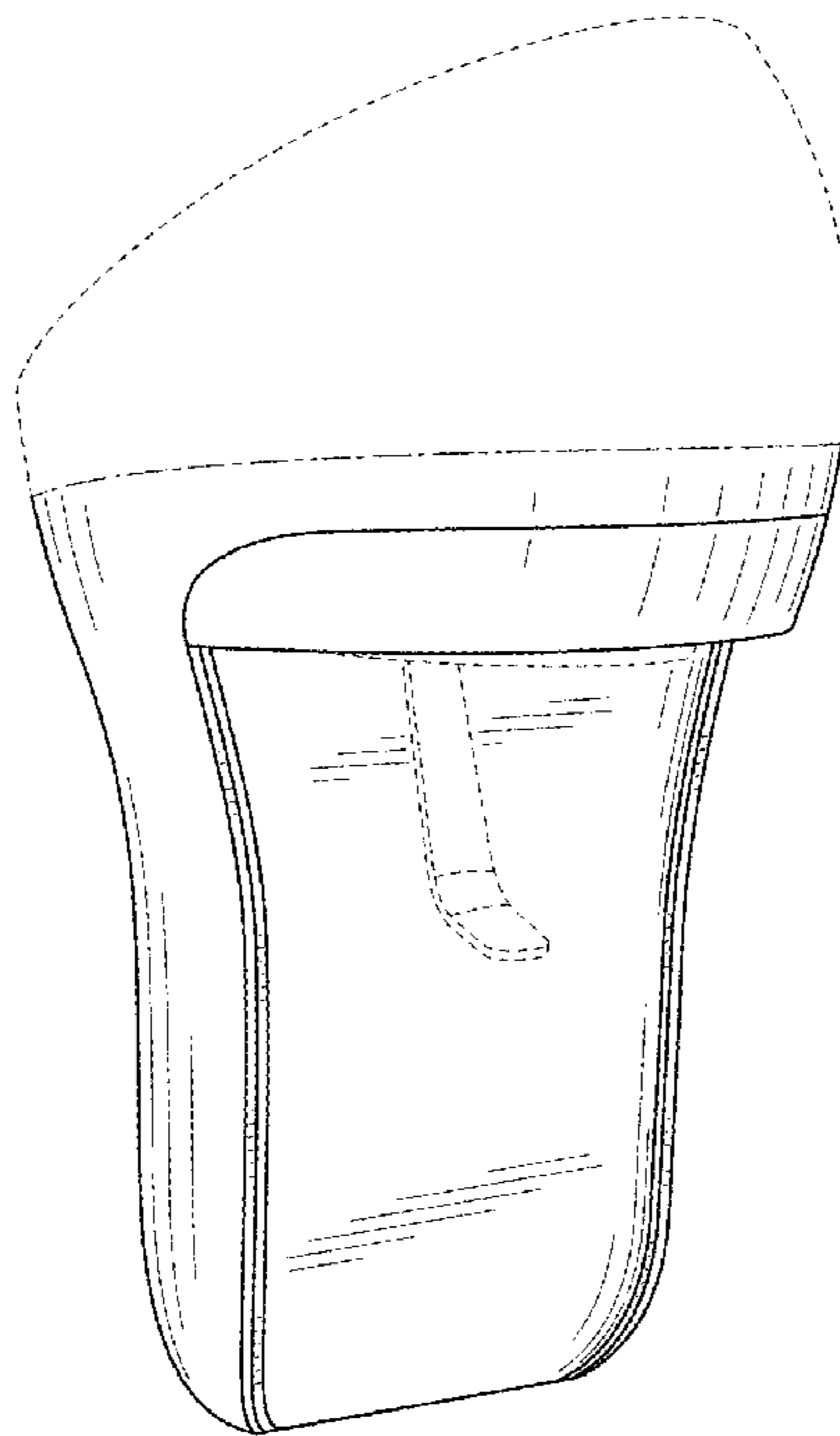
(22) Filed: **May 12, 2014**

(51) **LOC (10) Cl.** **07-01**

(52) **U.S. Cl.**
USPC **D7/306; D7/301**

(58) **Field of Classification Search**
USPC D7/306-311, 305, 300, 313, 301;
99/279, 284, 290, 280, 299, 307,
99/323.1; 222/23, 129.1; 62/395; D20/1
CPC A47J 31/44; B67D 1/0041; B67D 3/00
See application file for complete search history.

1 Claim, 5 Drawing Sheets



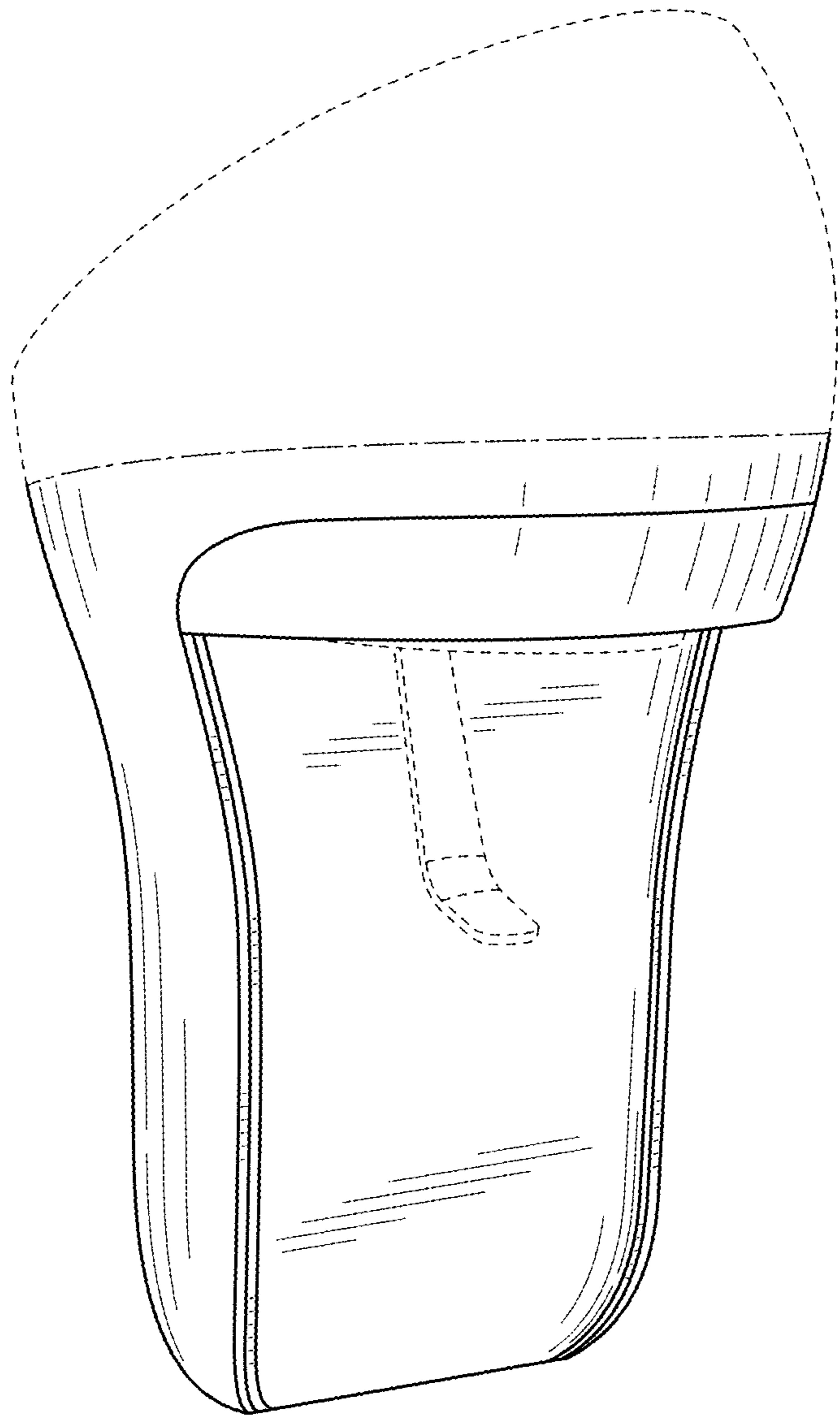


FIG. 1

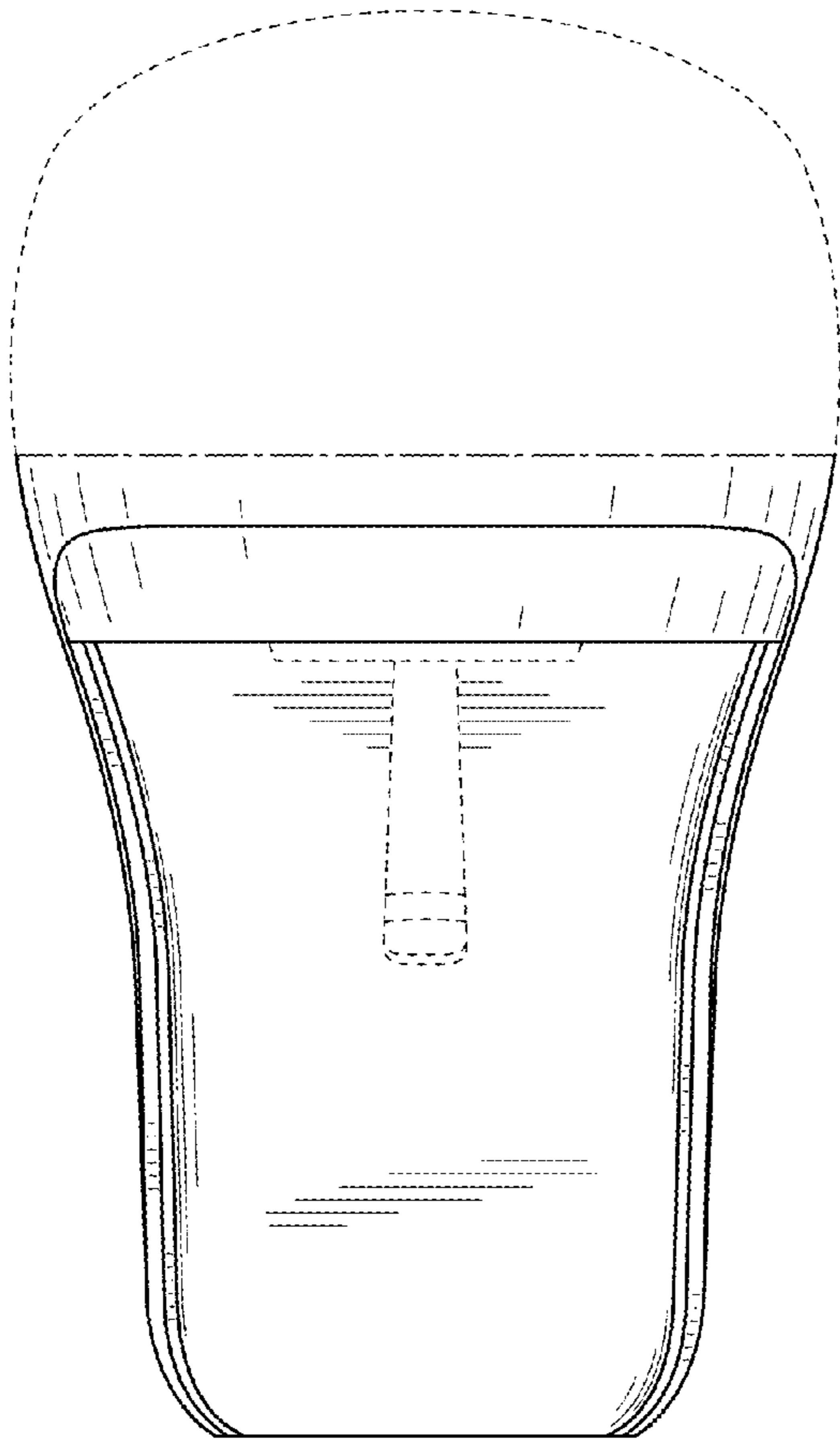


FIG. 2

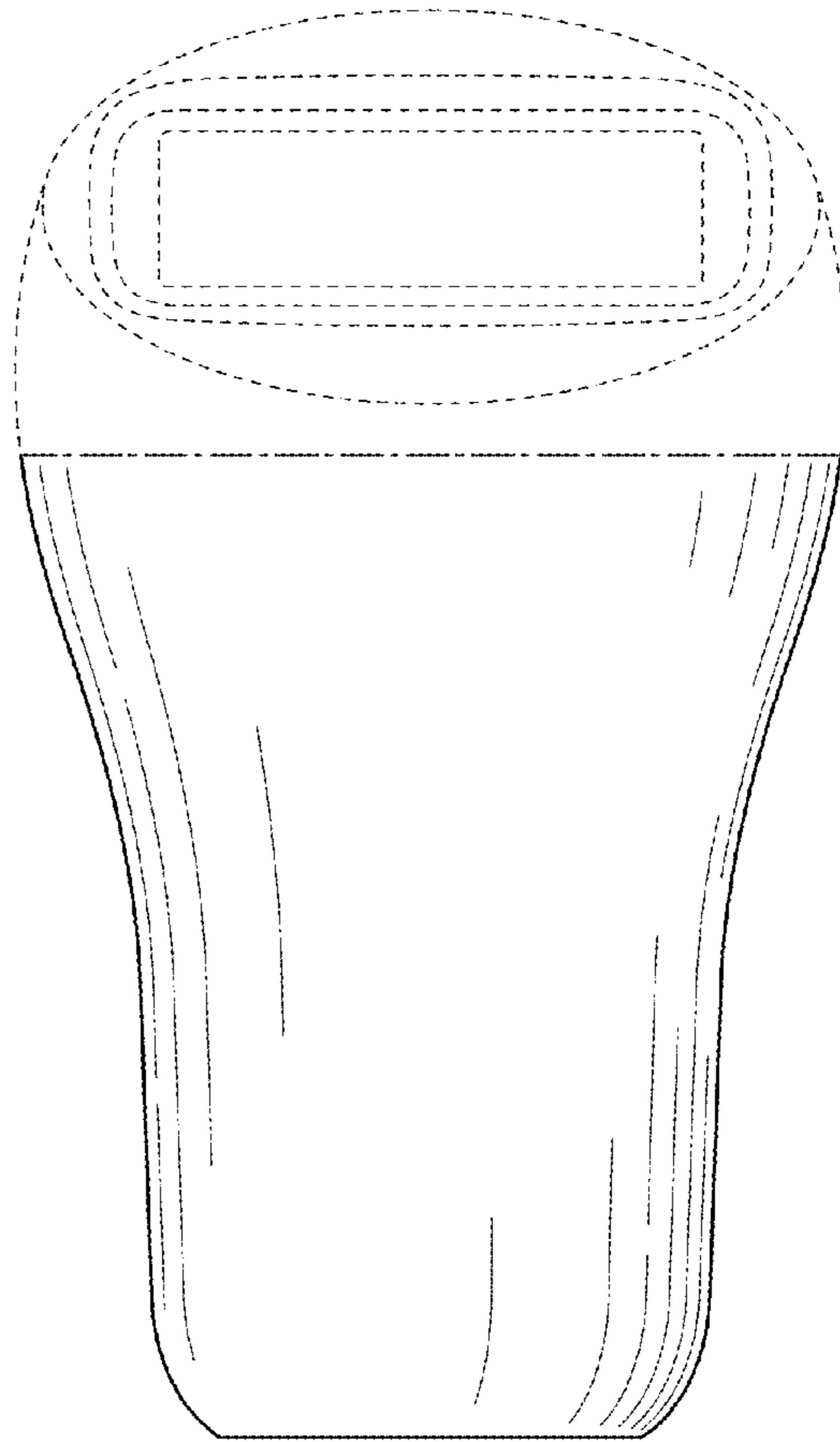


FIG. 3

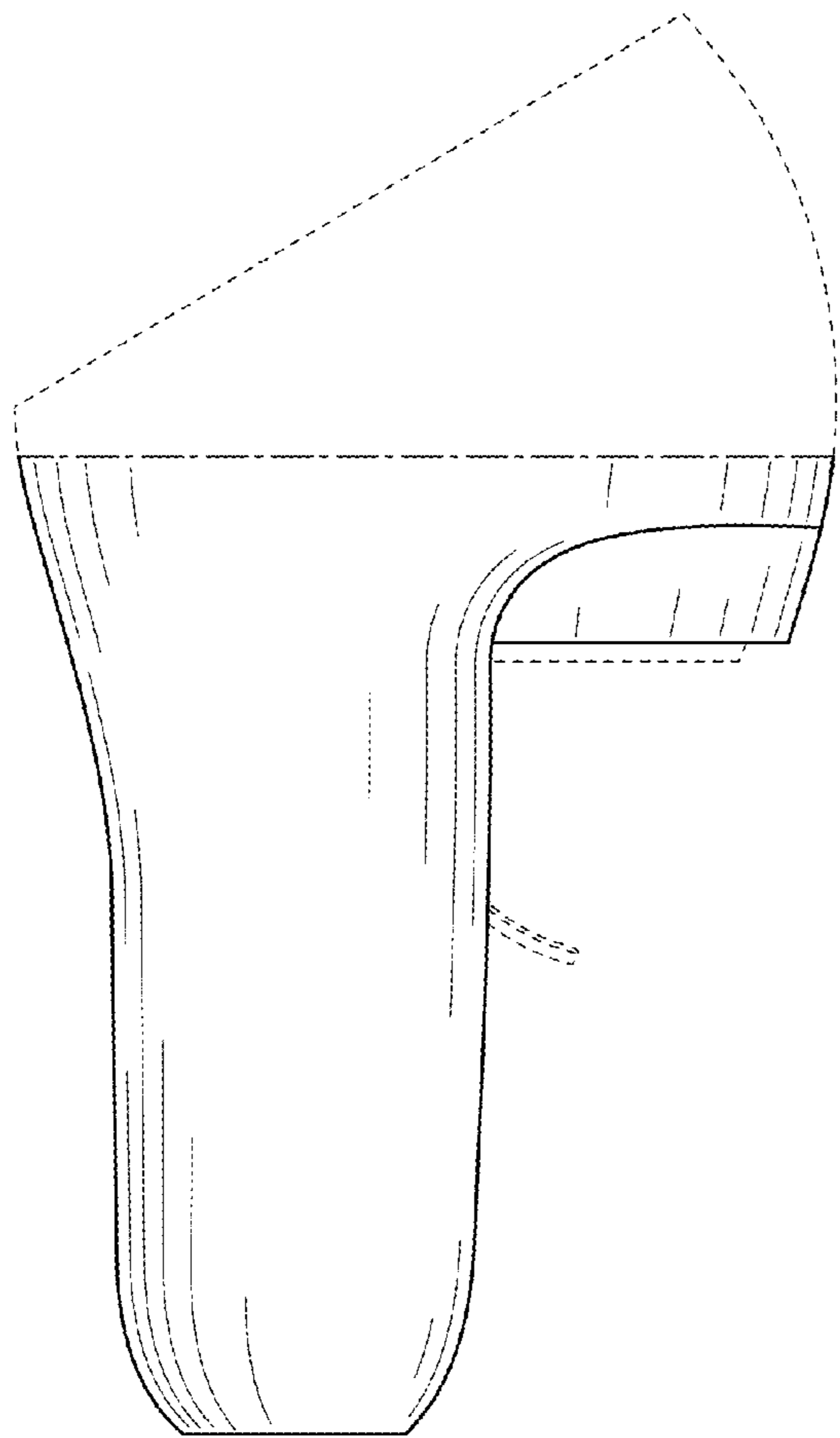


FIG. 4

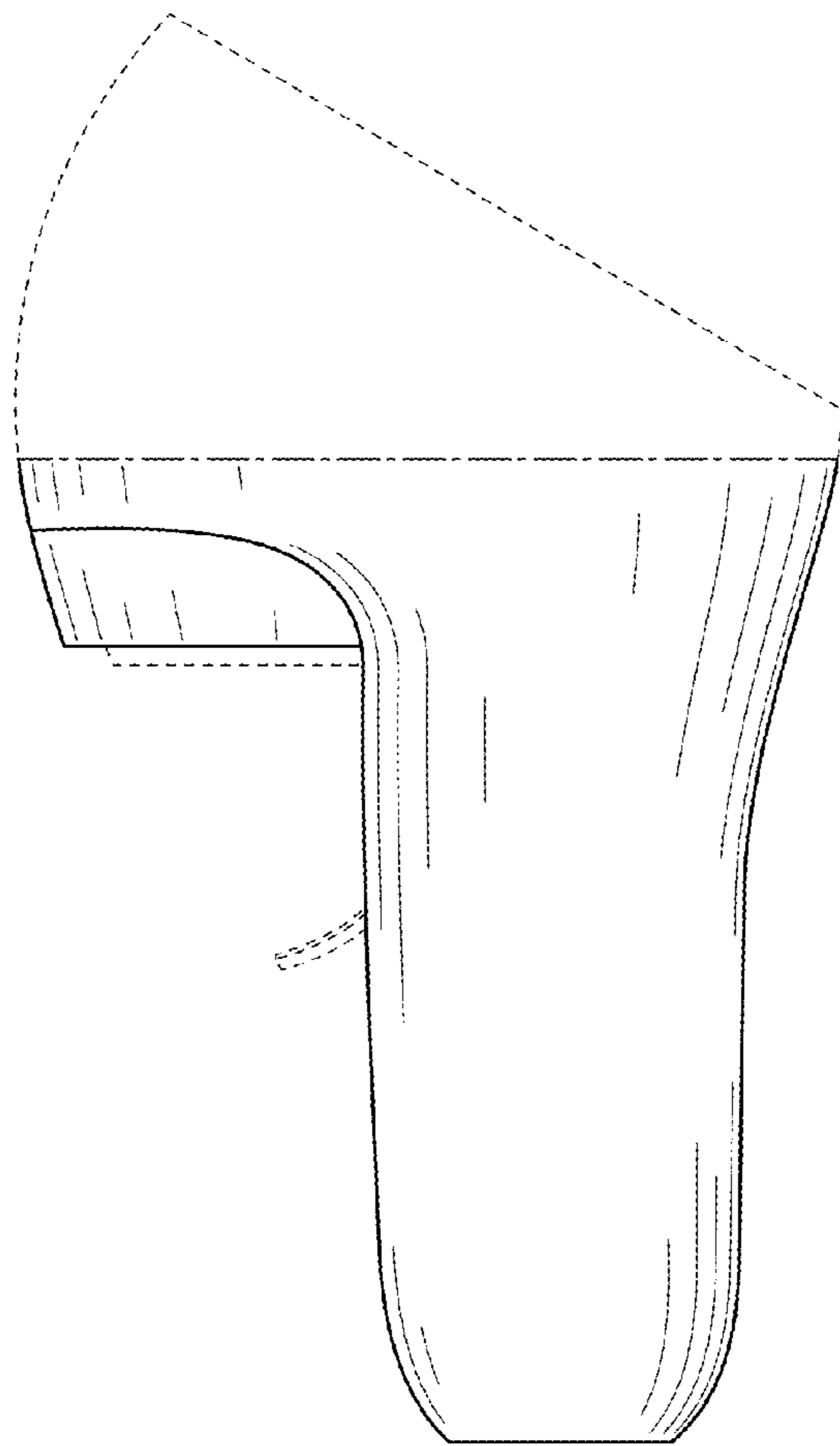


FIG. 5

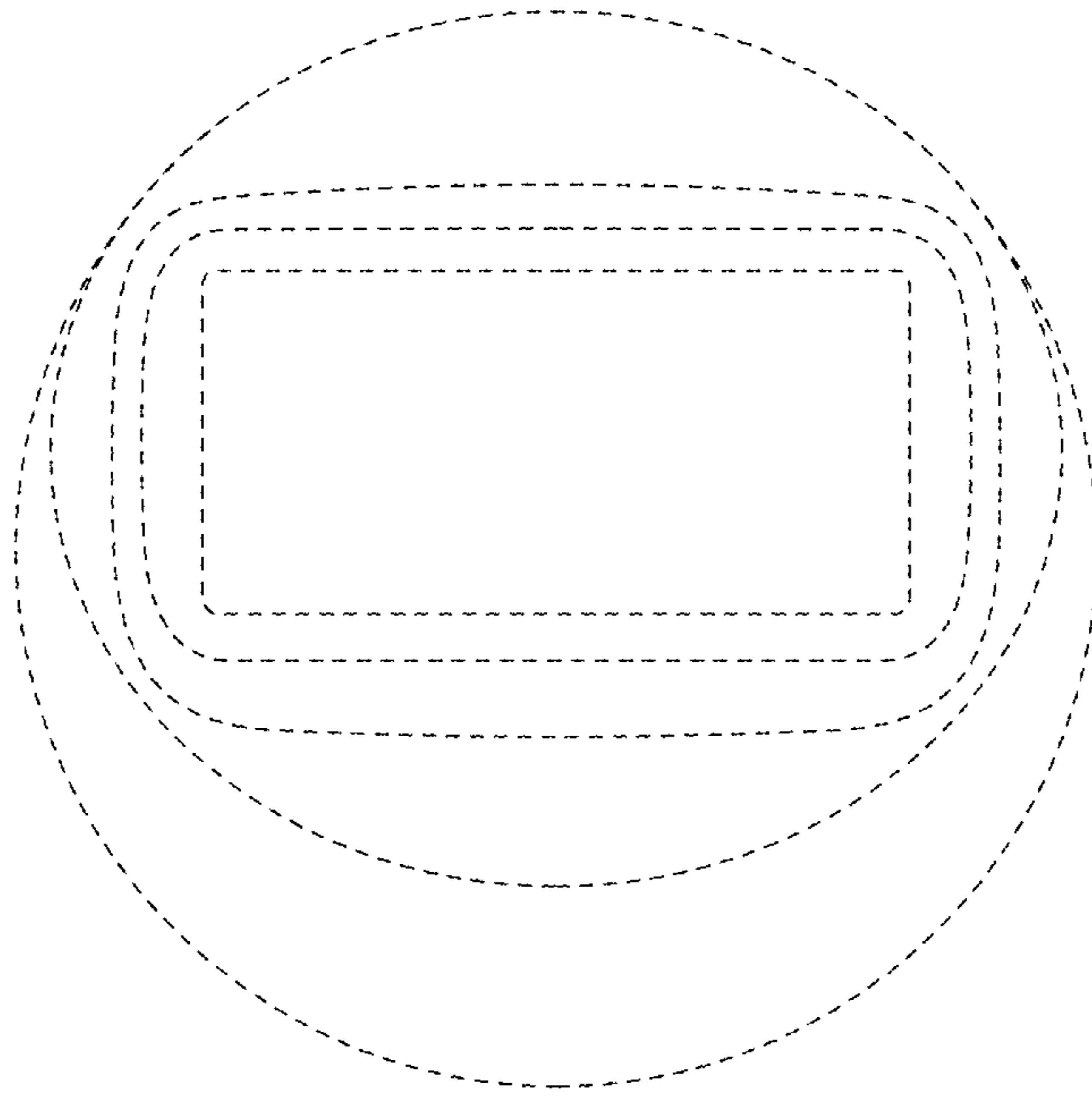


FIG. 6

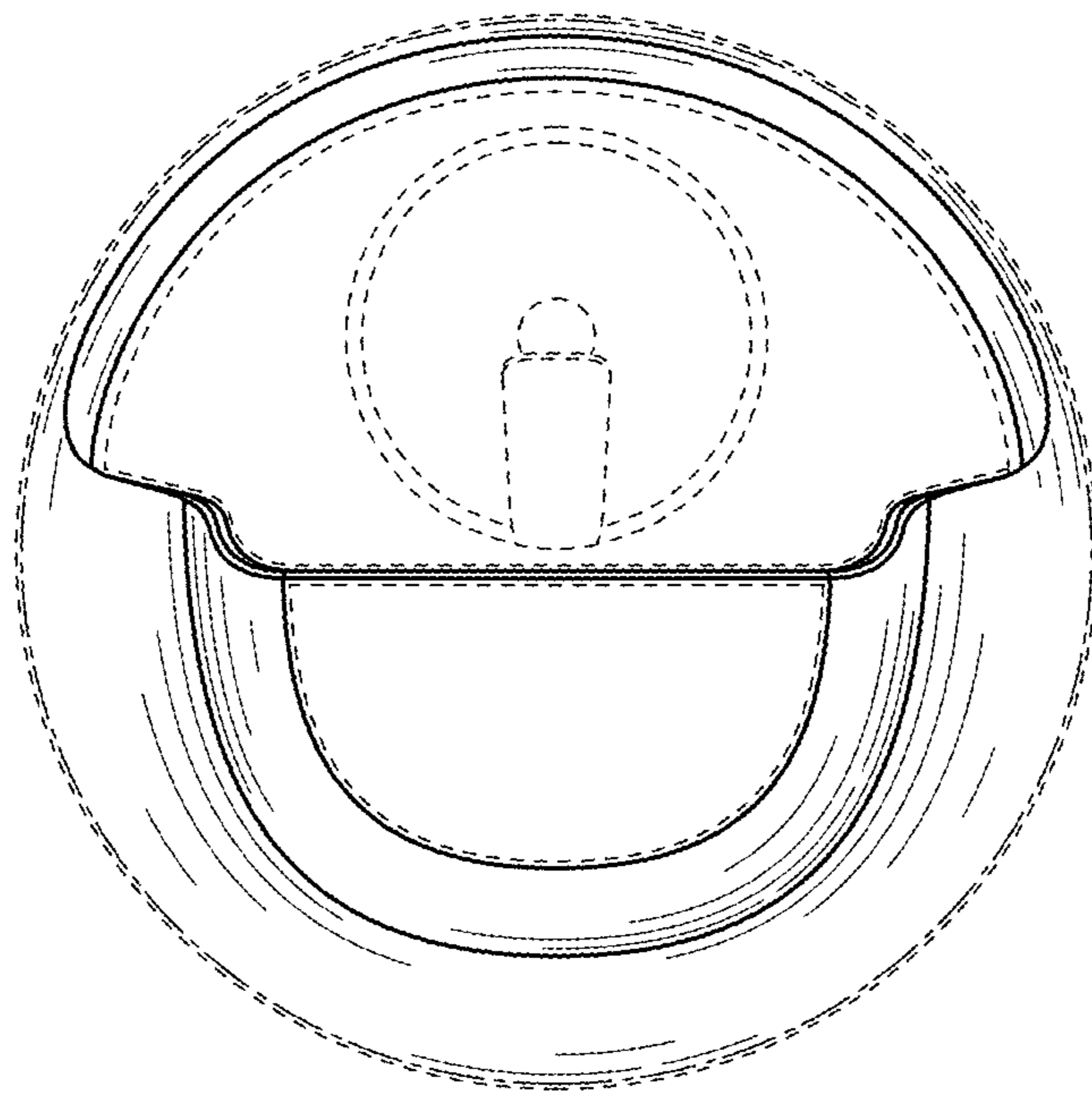


FIG. 7

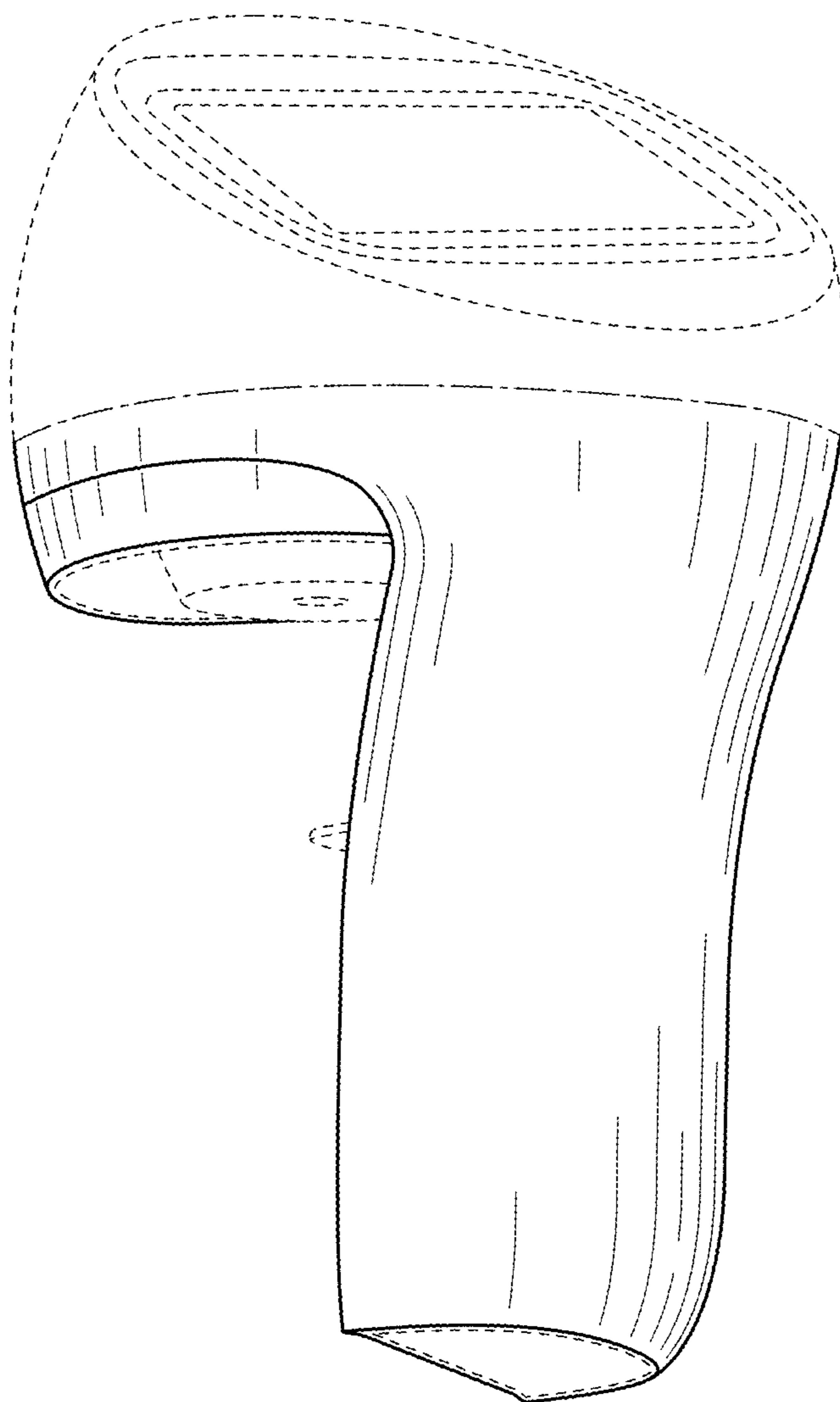


FIG. 8