



US00D738664S

(12) **United States Design Patent**
Cha et al.

(10) **Patent No.:** **US D738,664 S**

(45) **Date of Patent:** **** Sep. 15, 2015**

(54) **BEVERAGE DISPENSER**

(71) Applicant: **The Coca-Cola Company**, Atlanta, GA (US)

(72) Inventors: **Jae Ho Cha**, Woodstock, GA (US); **Kris Tomasson**, Atlanta, GA (US); **David Harvey**, Suwanee, GA (US); **Daniel S. Quartarone**, Atlanta, GA (US); **Simon Alan Daniel**, London (GB); **Christopher Michael Weston**, London (GB); **Robert Christopher Young**, London (GB); **Siriphong Roongruengvuthikul**, London (GB)

(73) Assignee: **THE COCA-COLA COMPANY**, Atlanta, GA (US)

(**) Term: **14 Years**

(21) Appl. No.: **29/490,640**

(22) Filed: **May 12, 2014**

(51) **LOC (10) Cl.** **07-01**

(52) **U.S. Cl.**
USPC **D7/306; D7/301**

(58) **Field of Classification Search**
USPC D7/306-311, 305, 300, 313, 301;
99/279, 284, 290, 280, 299, 307,
99/323.1; 222/23, 129.1; 62/395; D20/1
CPC A47J 31/44; B67D 1/0041; B67D 3/00
See application file for complete search history.

(56) **References Cited**

U.S. PATENT DOCUMENTS

D75,151 S * 5/1928 Cordley D7/313
D82,798 S * 12/1930 Crosby D7/301
D355,995 S * 3/1995 Stoddard et al. D6/658
D371,713 S * 7/1996 Credle, Jr. D7/301

D375,649 S * 11/1996 Henninger et al. D7/301
D378,260 S * 3/1997 Precelton D7/301
5,607,211 A * 3/1997 Henninger et al. 312/204
5,752,624 A * 5/1998 Vinson et al. 222/78
D632,519 S * 2/2011 Zimmermann D7/301

* cited by examiner

Primary Examiner — Marianne Pandozzi

(74) *Attorney, Agent, or Firm* — McAndrews Held & Malloy, Ltd.

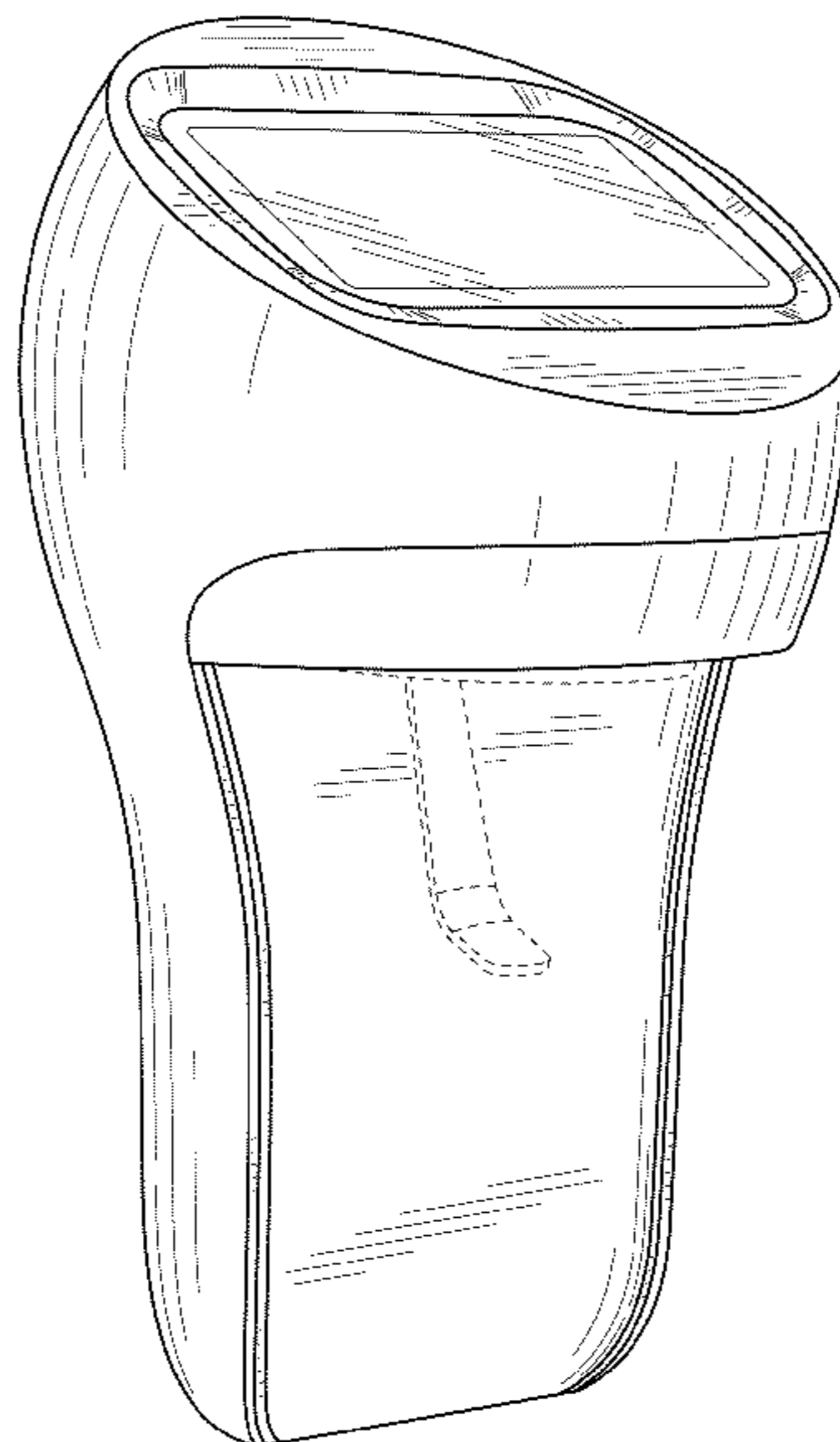
(57) **CLAIM**

The ornamental design for a beverage dispenser, as shown and described.

DESCRIPTION

FIG. 1 is a front left perspective view of a first embodiment of a beverage dispenser showing our new design;
FIG. 2 is a front elevation view thereof;
FIG. 3 is a rear elevation view thereof;
FIG. 4 is a left-side elevation view thereof;
FIG. 5 is a right-side elevation view thereof;
FIG. 6 is a top plan view thereof;
FIG. 7 is a bottom plan view thereof;
FIG. 8 is a bottom right perspective view thereof;
FIG. 9 is a front left perspective view of a second embodiment of a beverage dispenser showing our new design;
FIG. 10 is a front elevation view thereof;
FIG. 11 is a rear elevation view thereof;
FIG. 12 is a left-side elevation view thereof;
FIG. 13 is a right-side elevation view thereof;
FIG. 14 is a top plan view thereof;
FIG. 15 is a bottom plan view thereof; and,
FIG. 16 is a bottom right perspective view thereof.
The broken lines are for environmental purposes only and form no part of the claimed design.

1 Claim, 10 Drawing Sheets



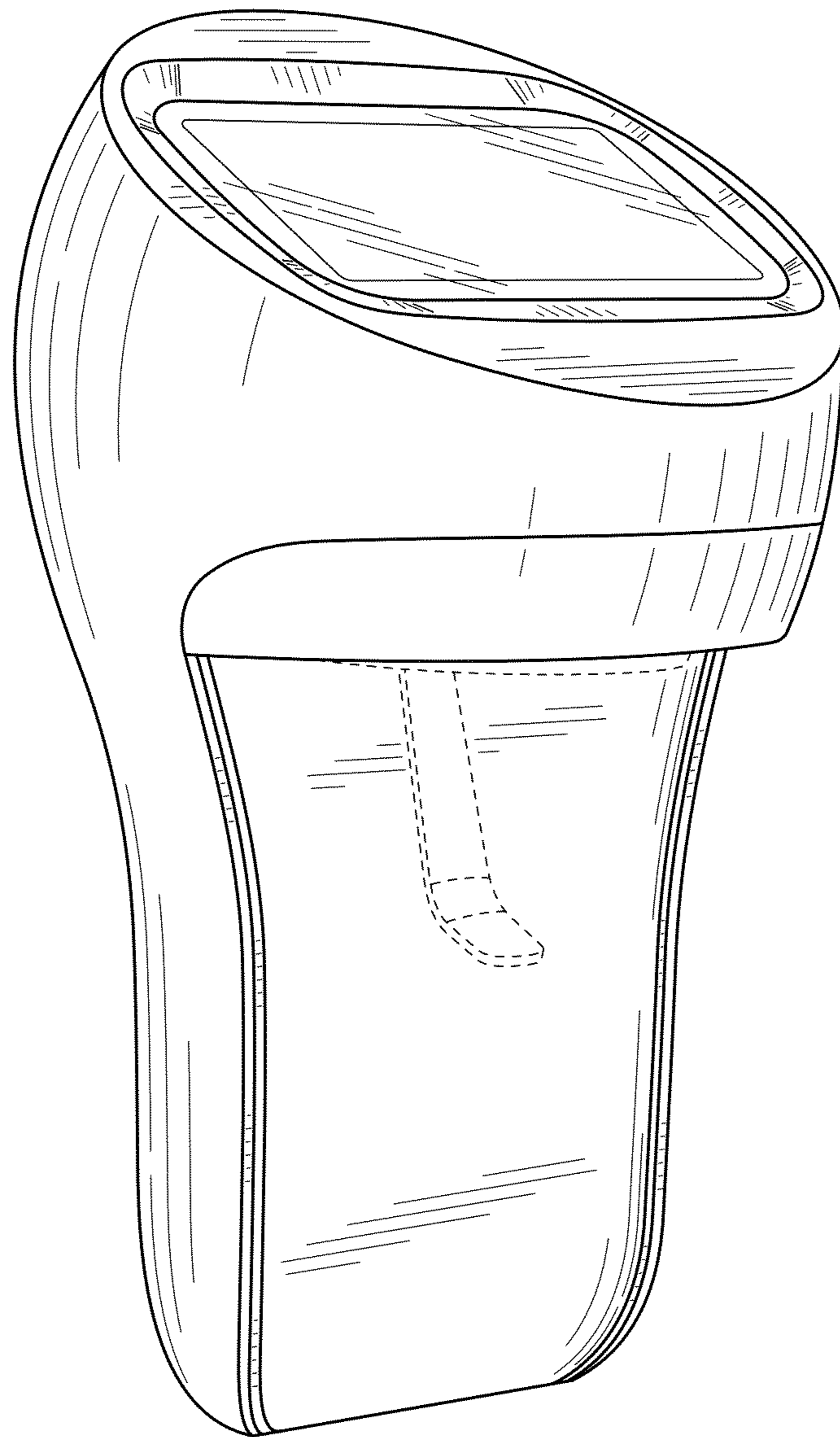


FIG. 1

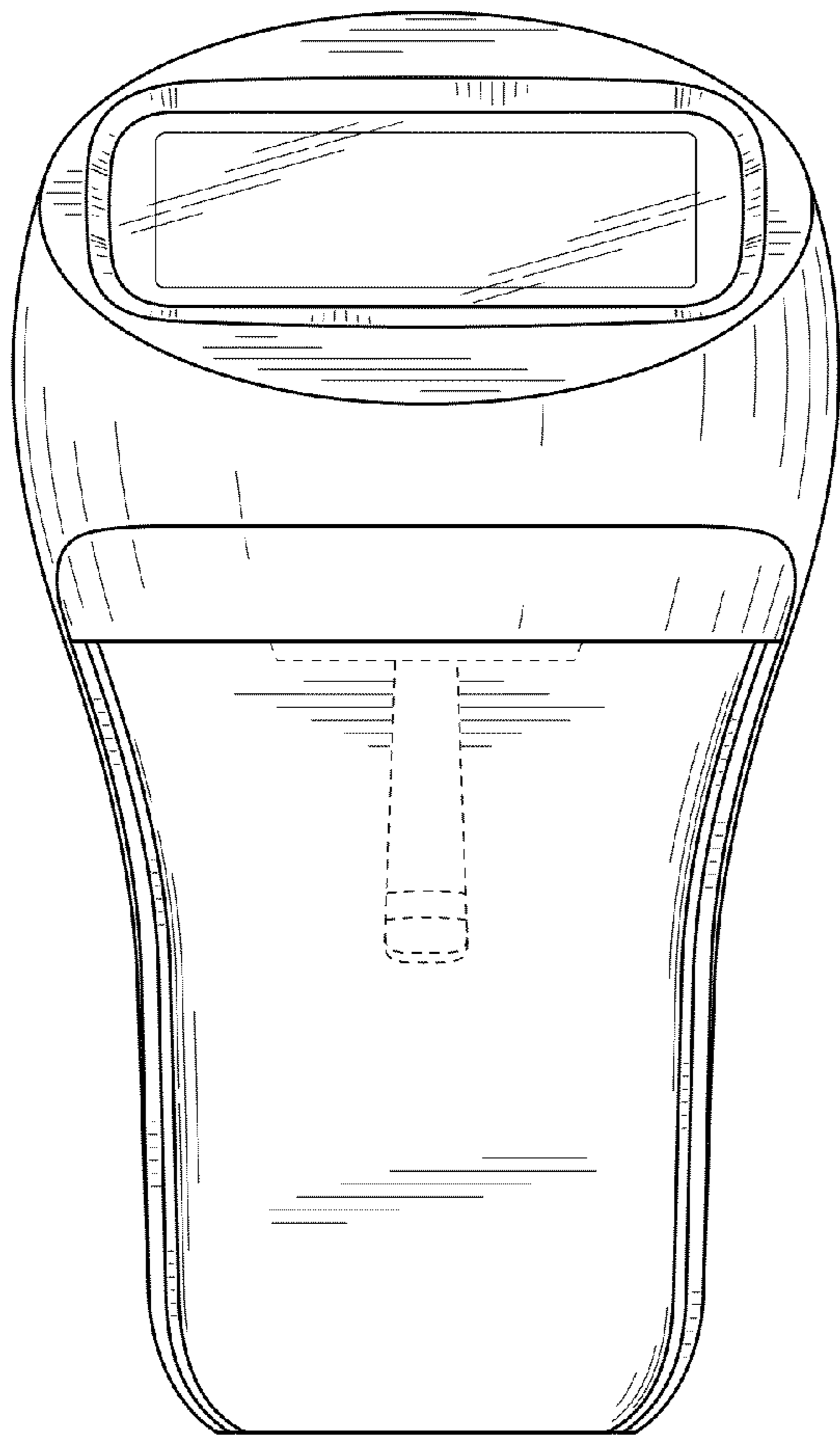


FIG. 2

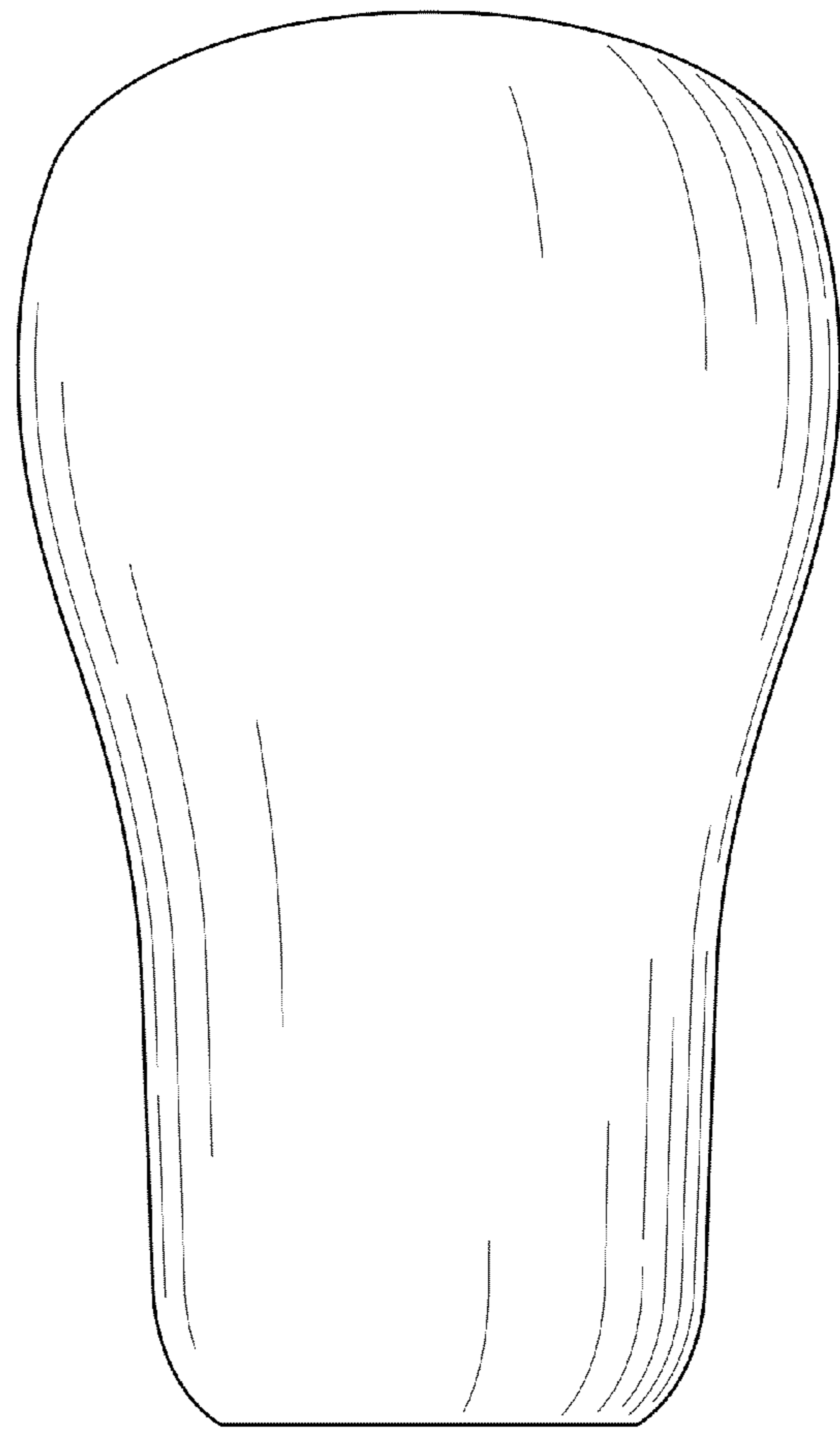


FIG. 3

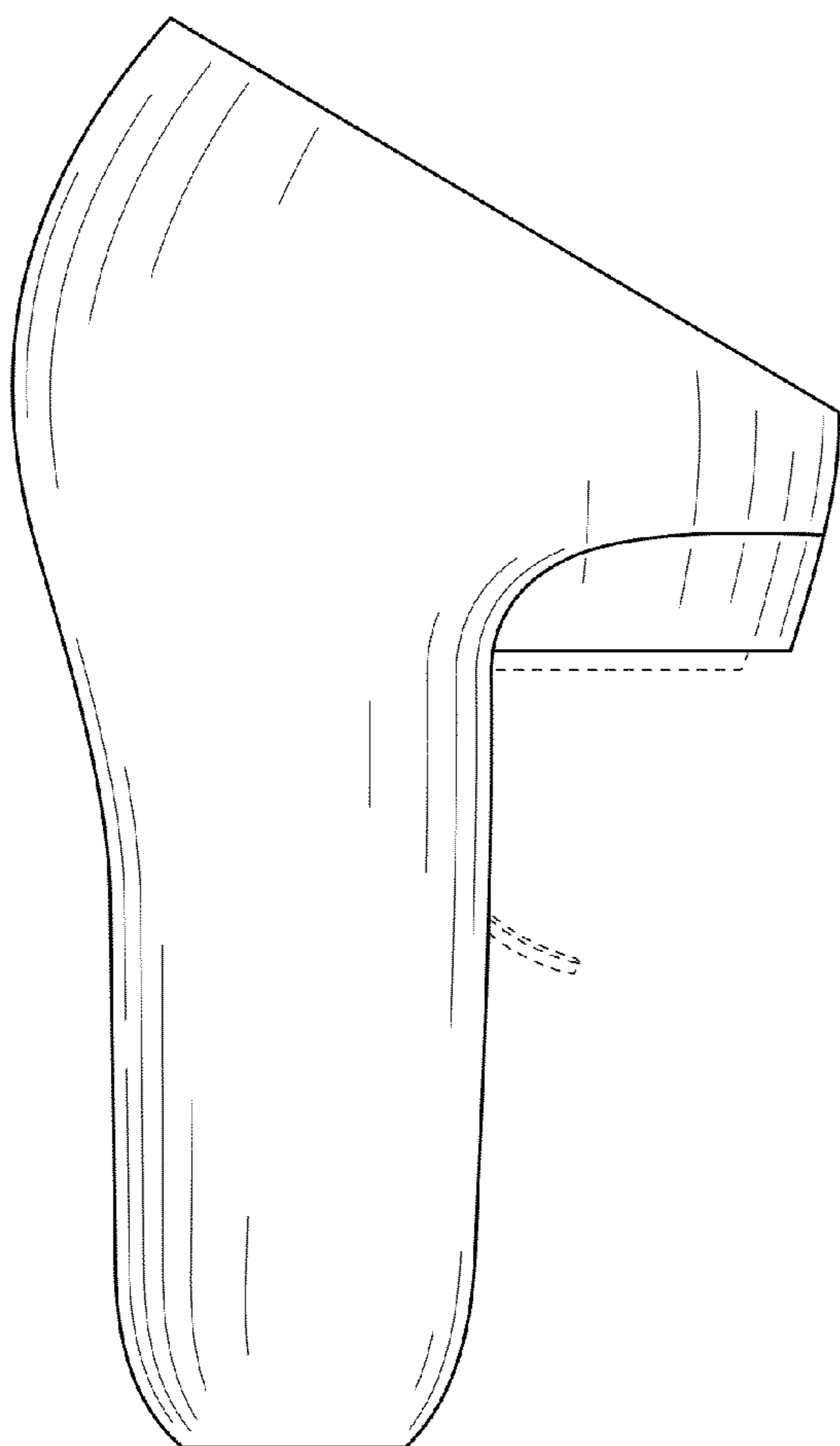


FIG. 4

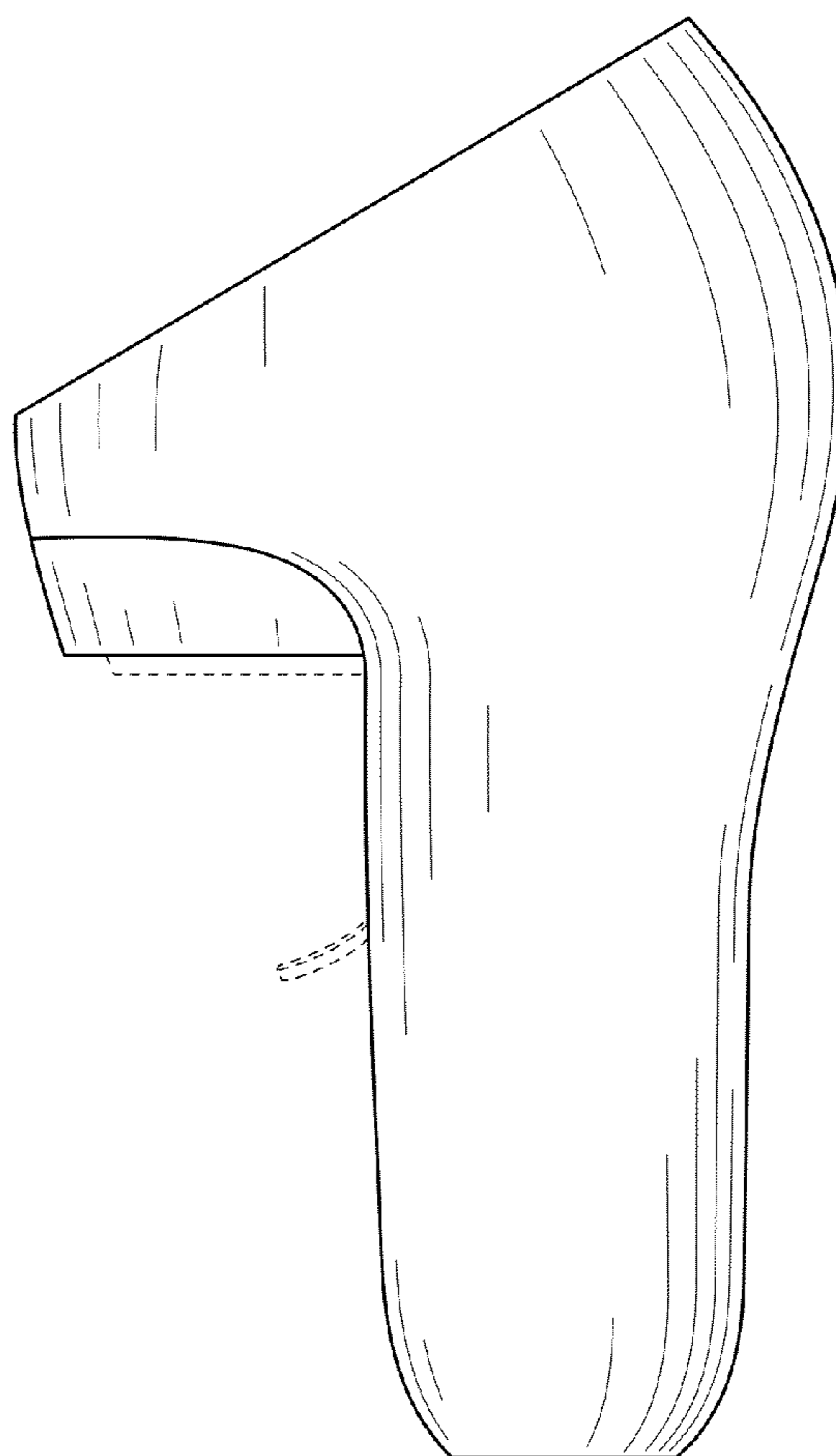


FIG. 5

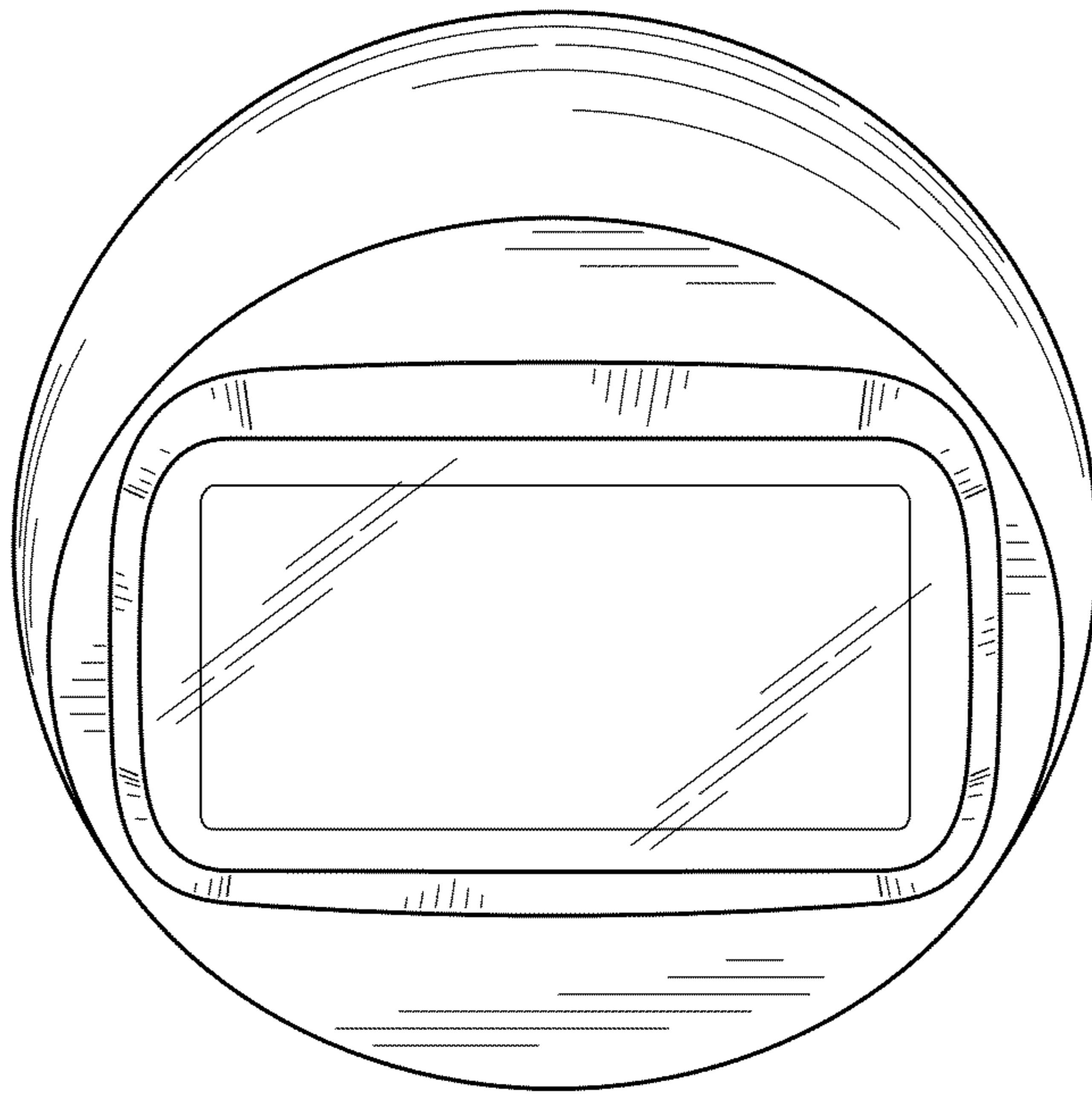


FIG. 6

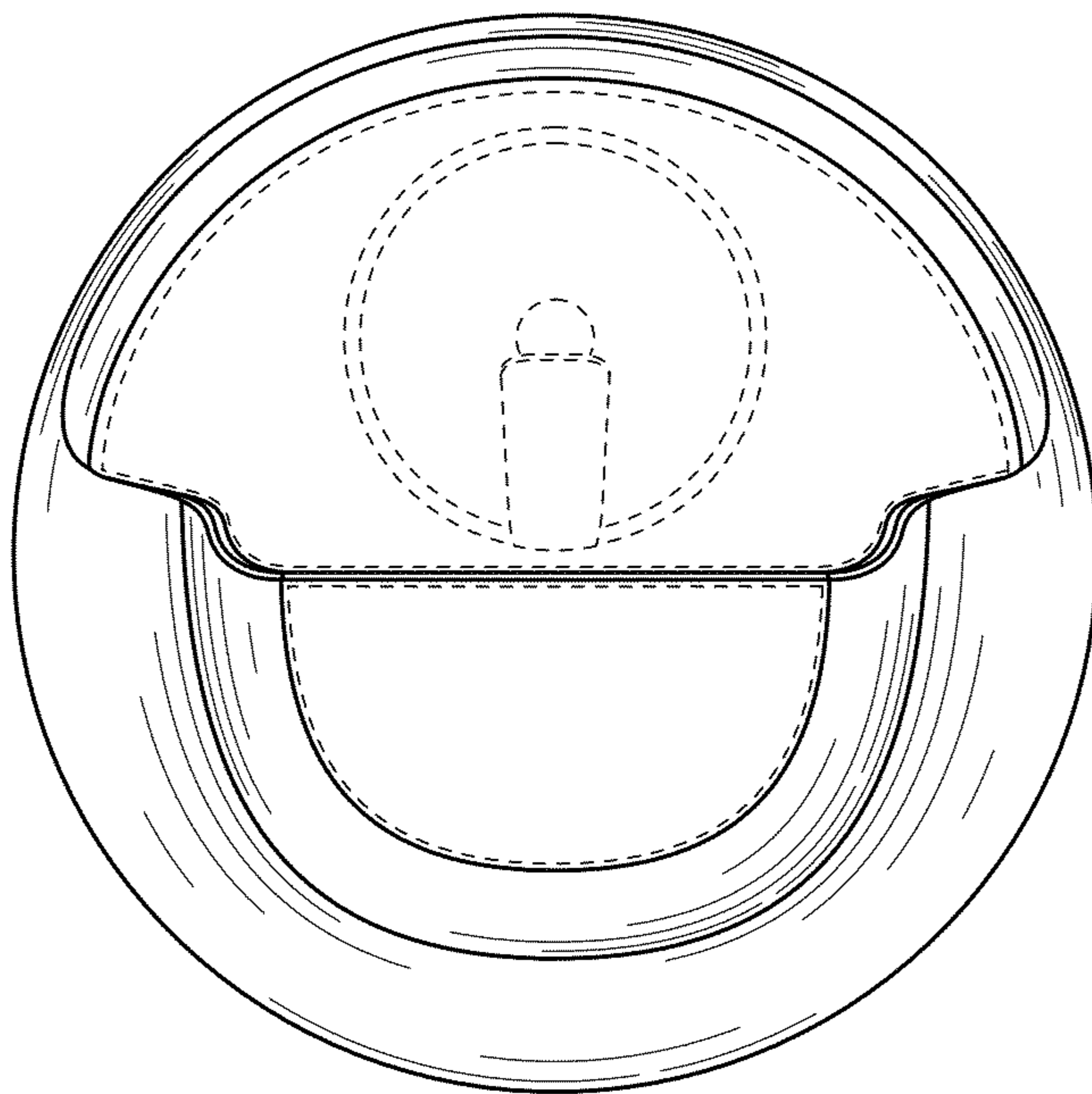


FIG. 7

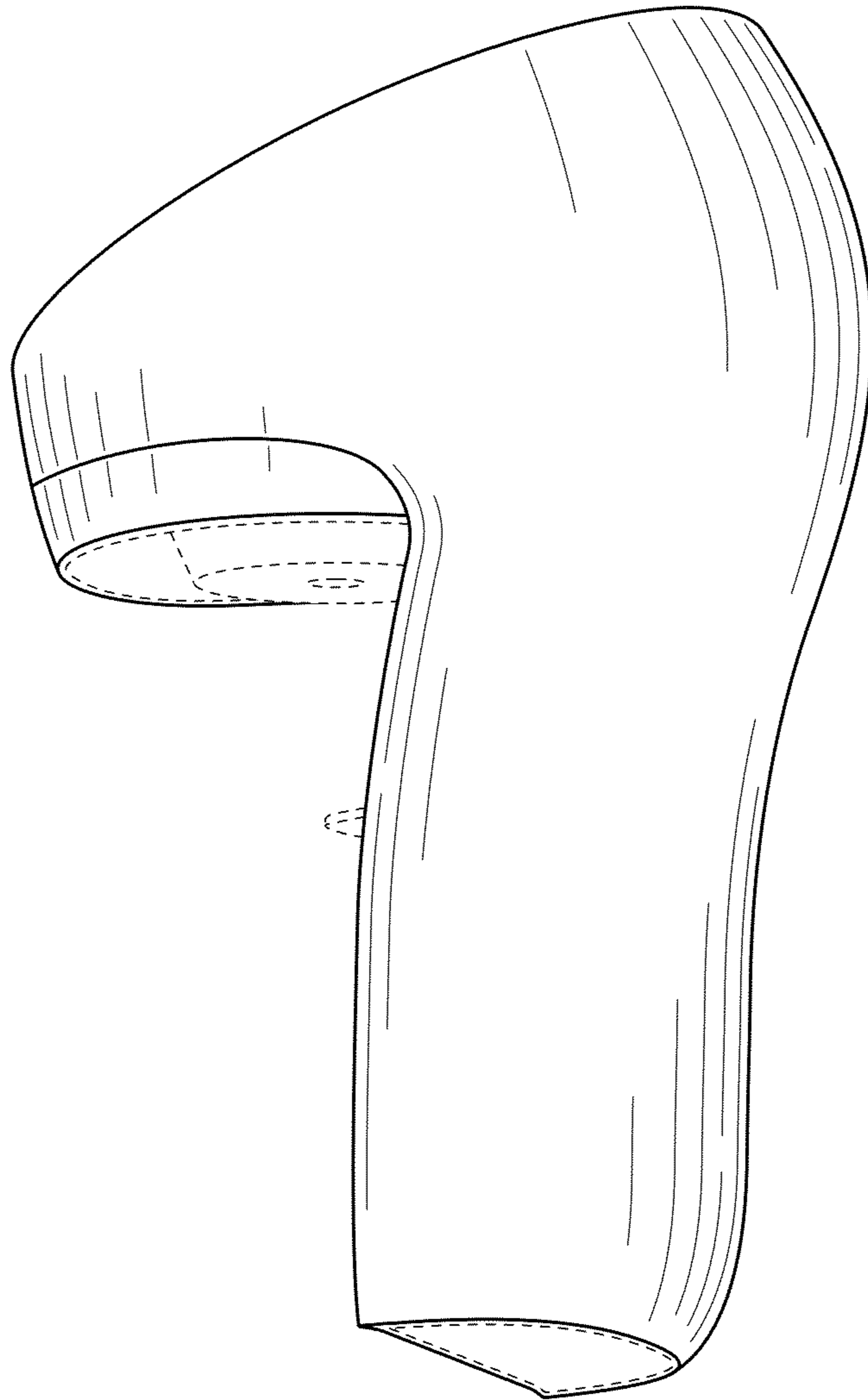


FIG. 8

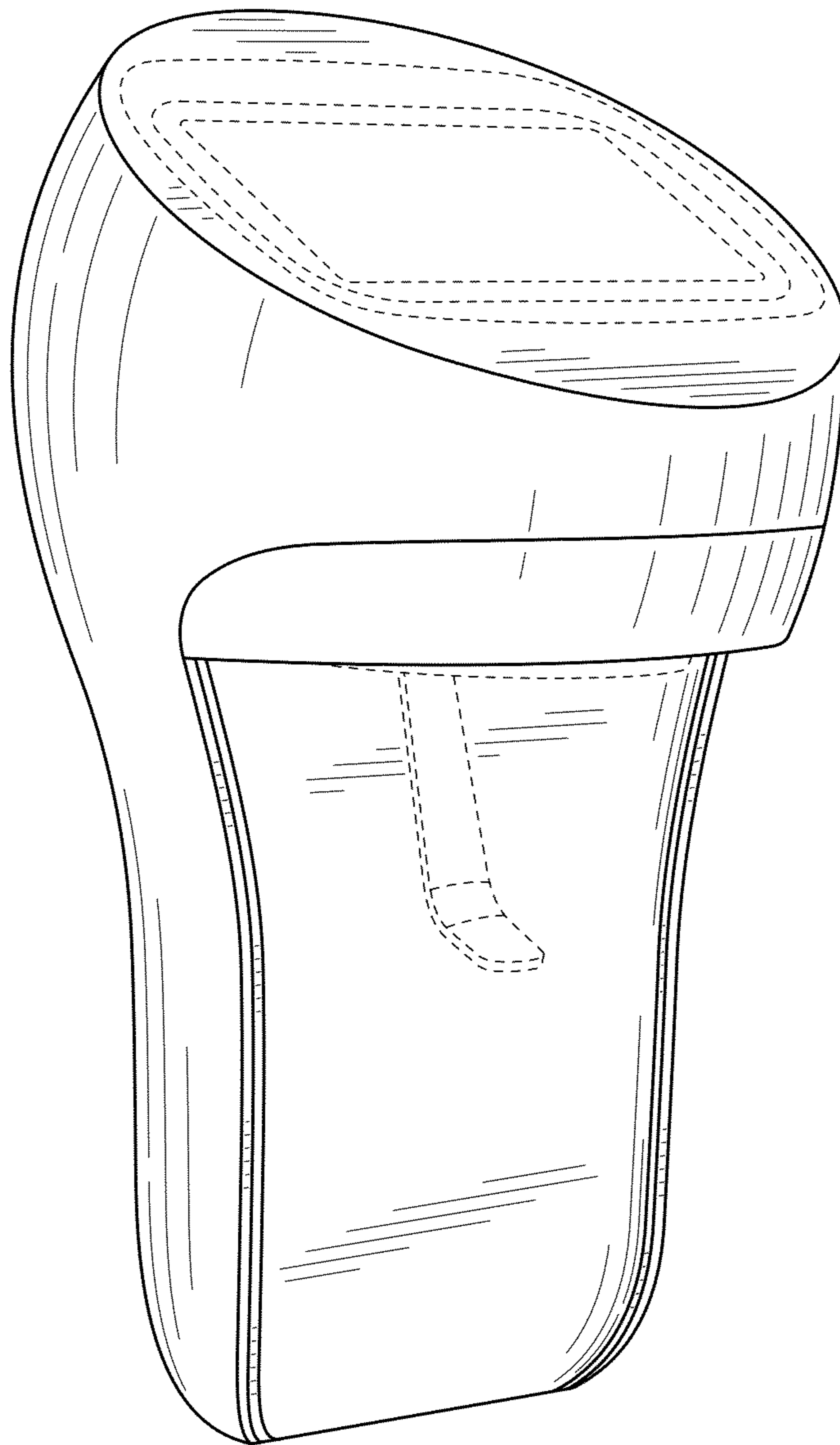


FIG. 9

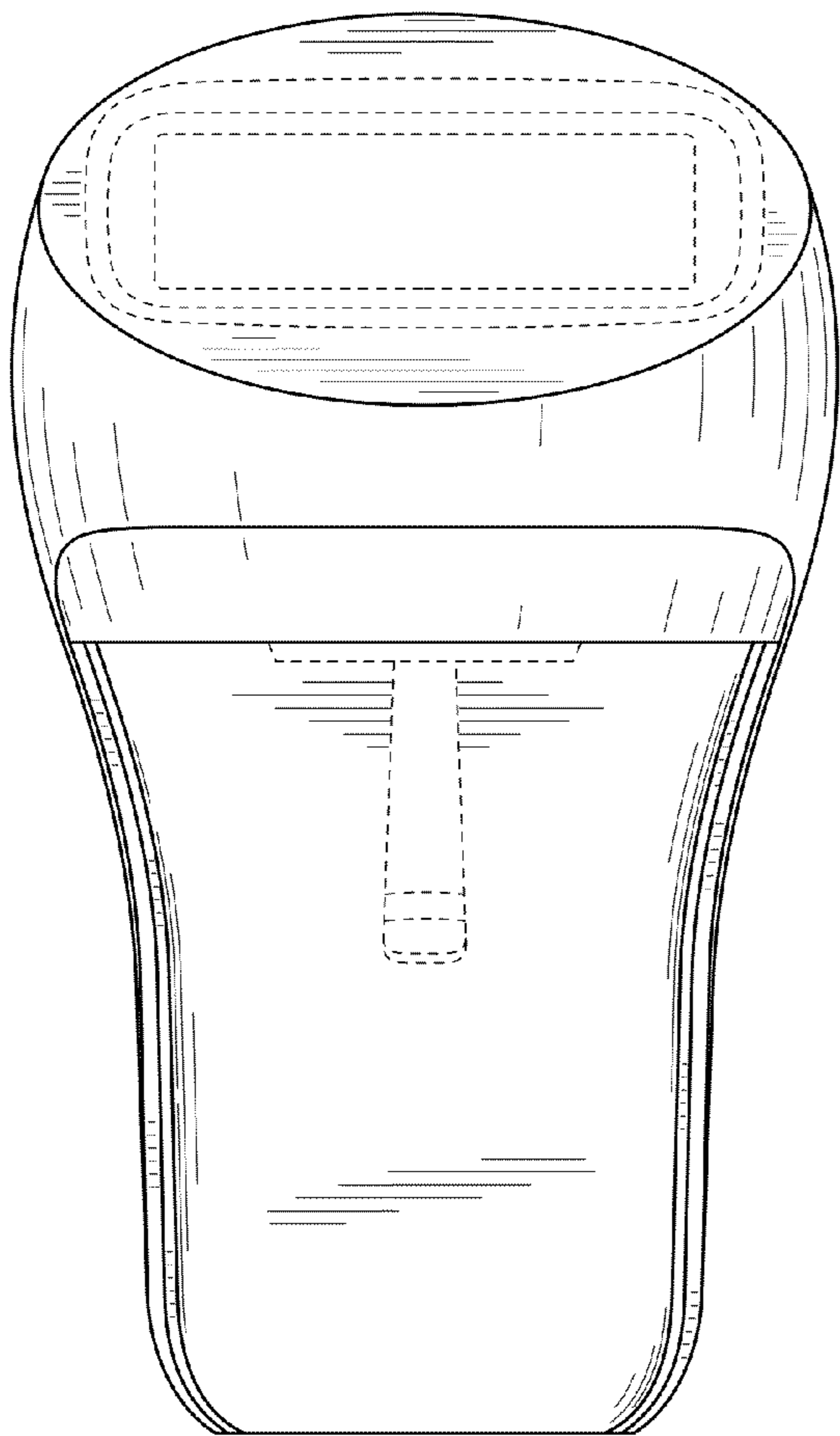


FIG. 10

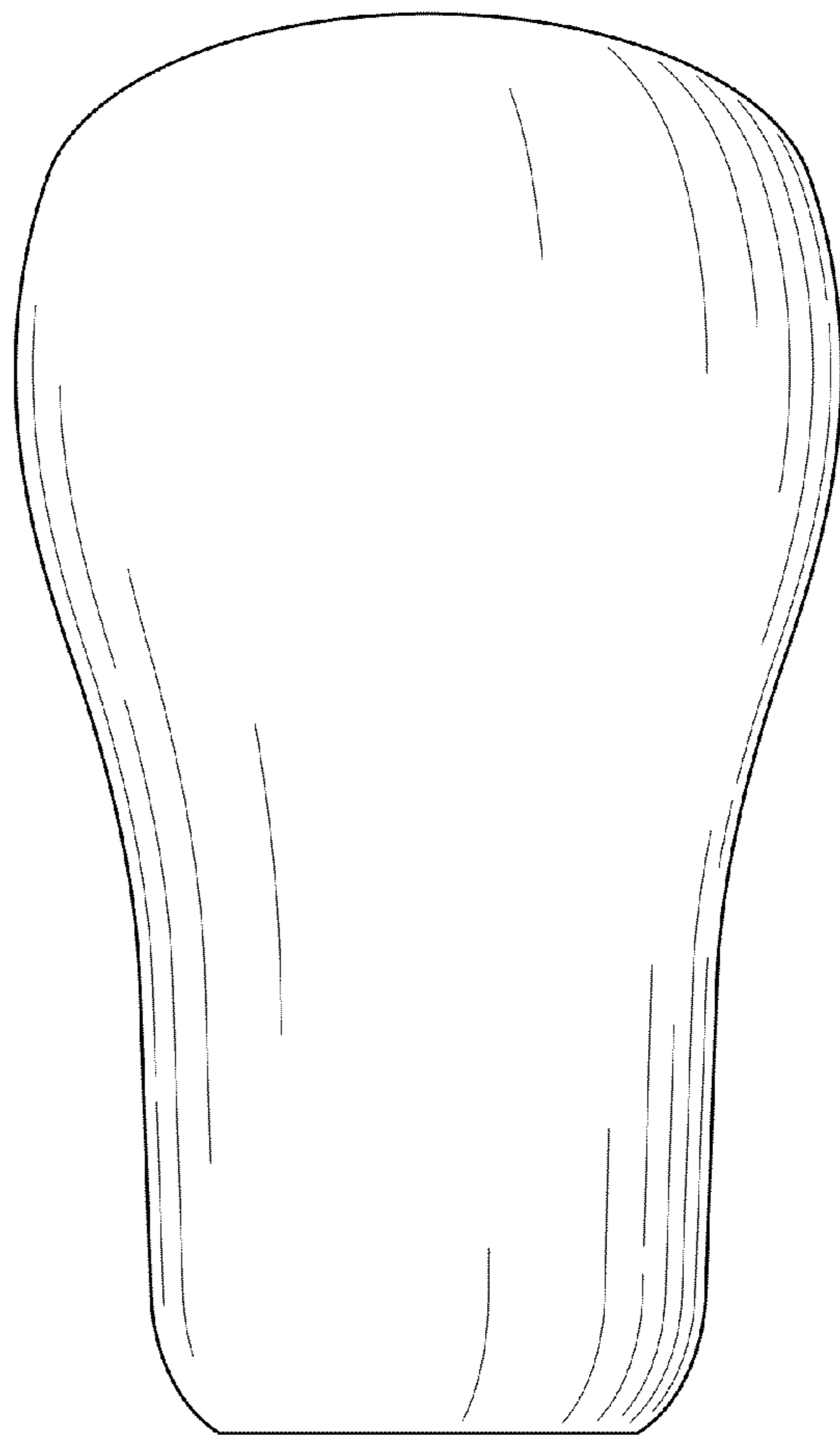


FIG. 11

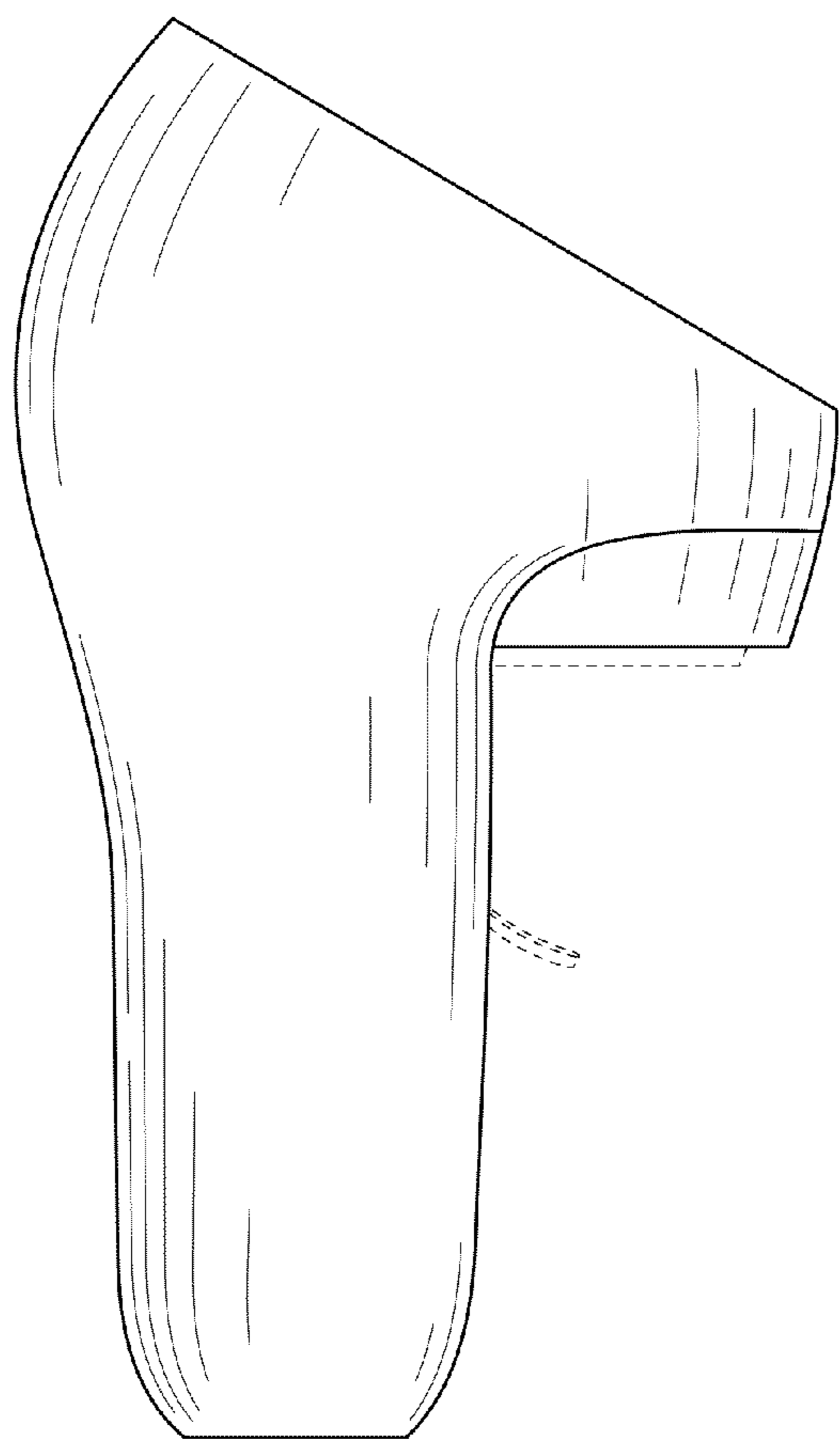


FIG. 12

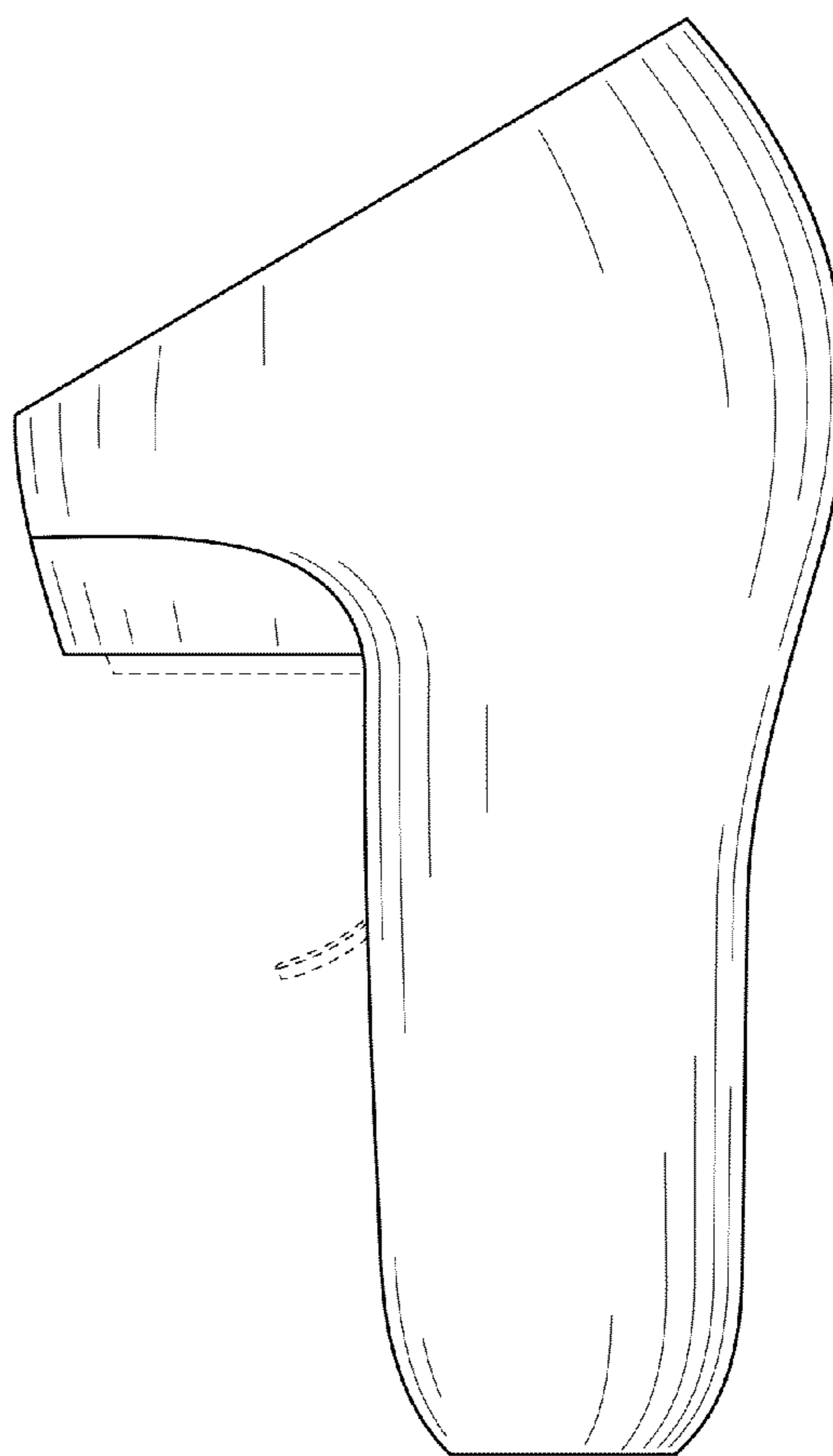


FIG. 13

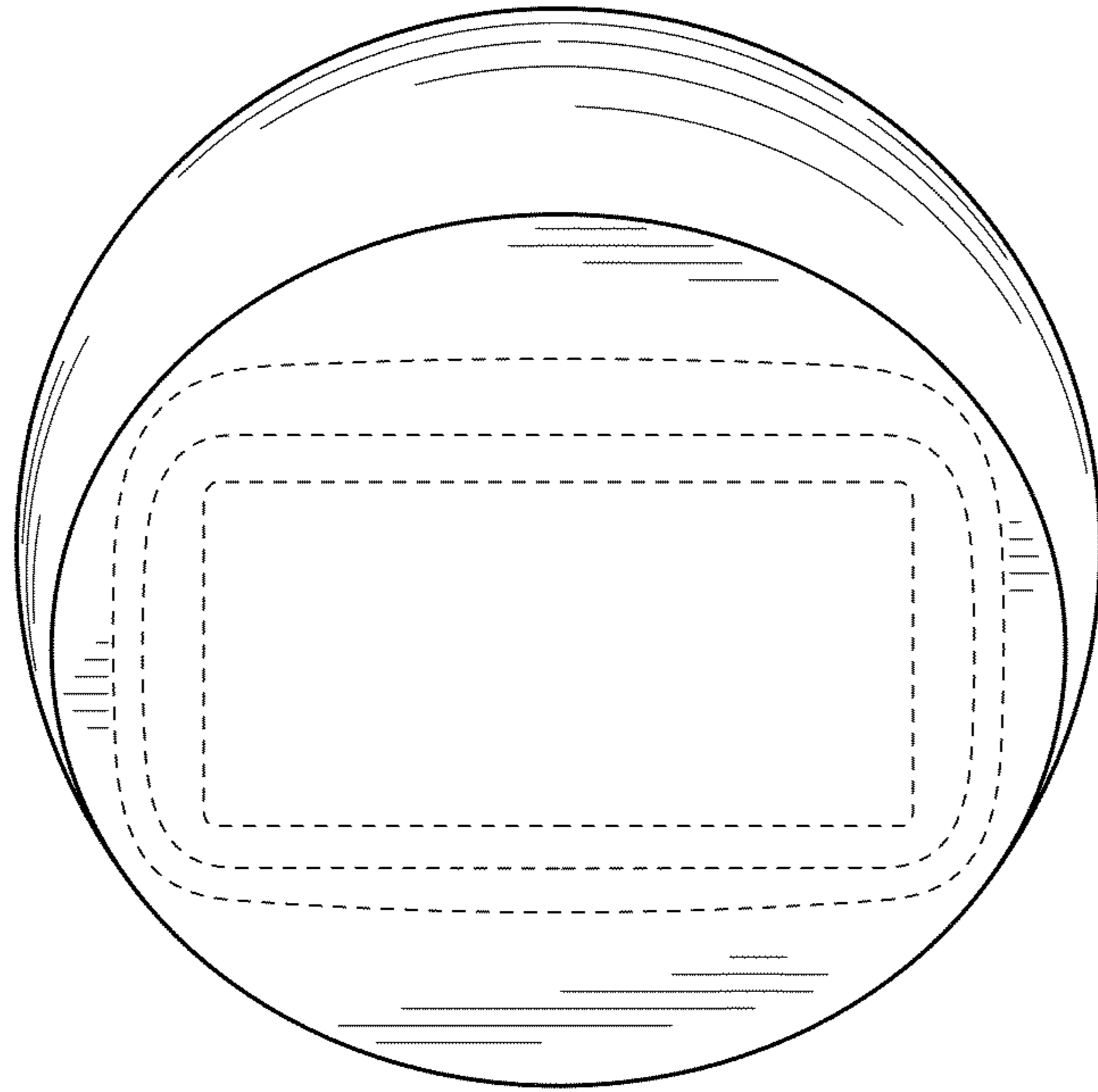


FIG. 14

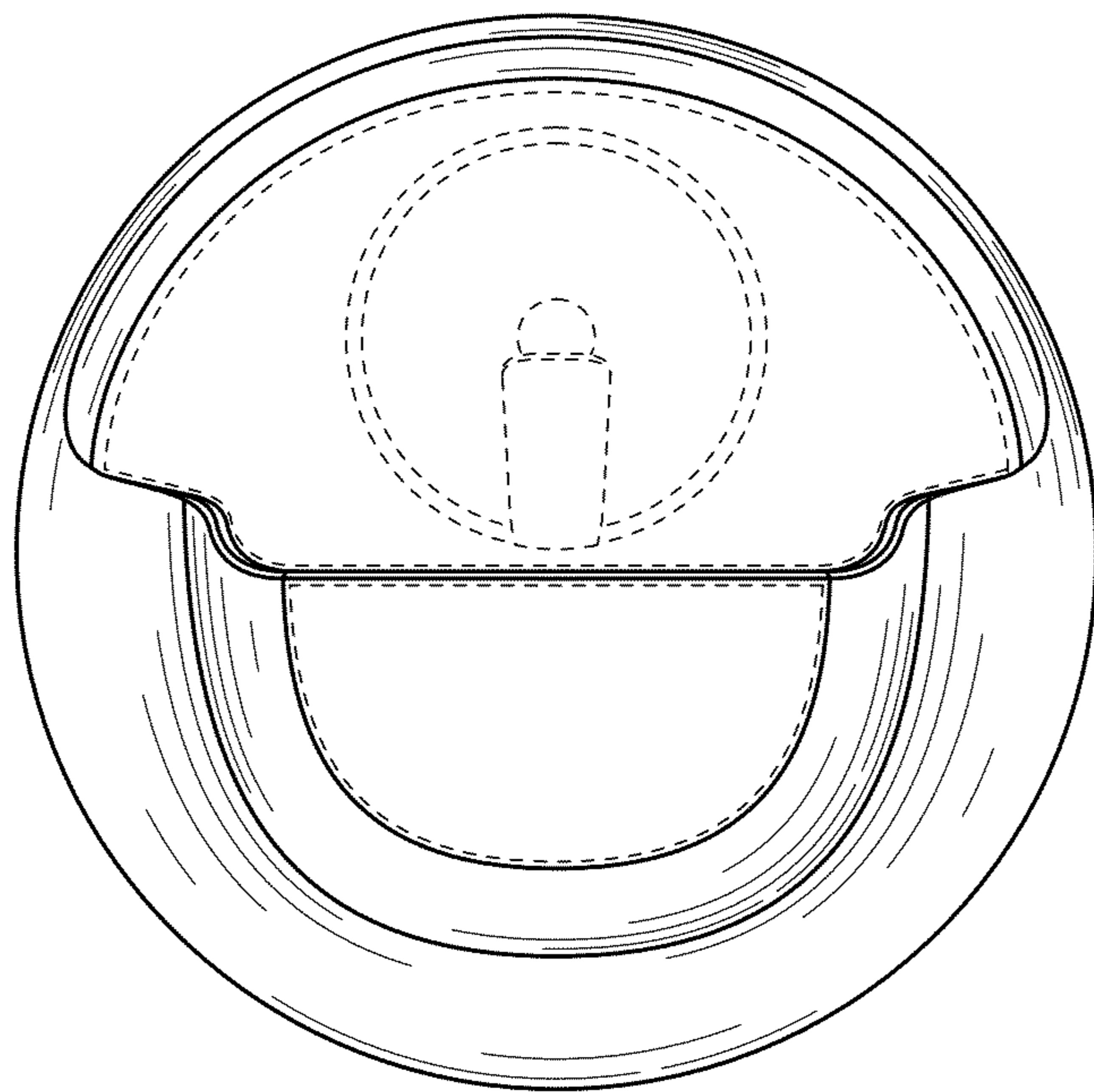


FIG. 15

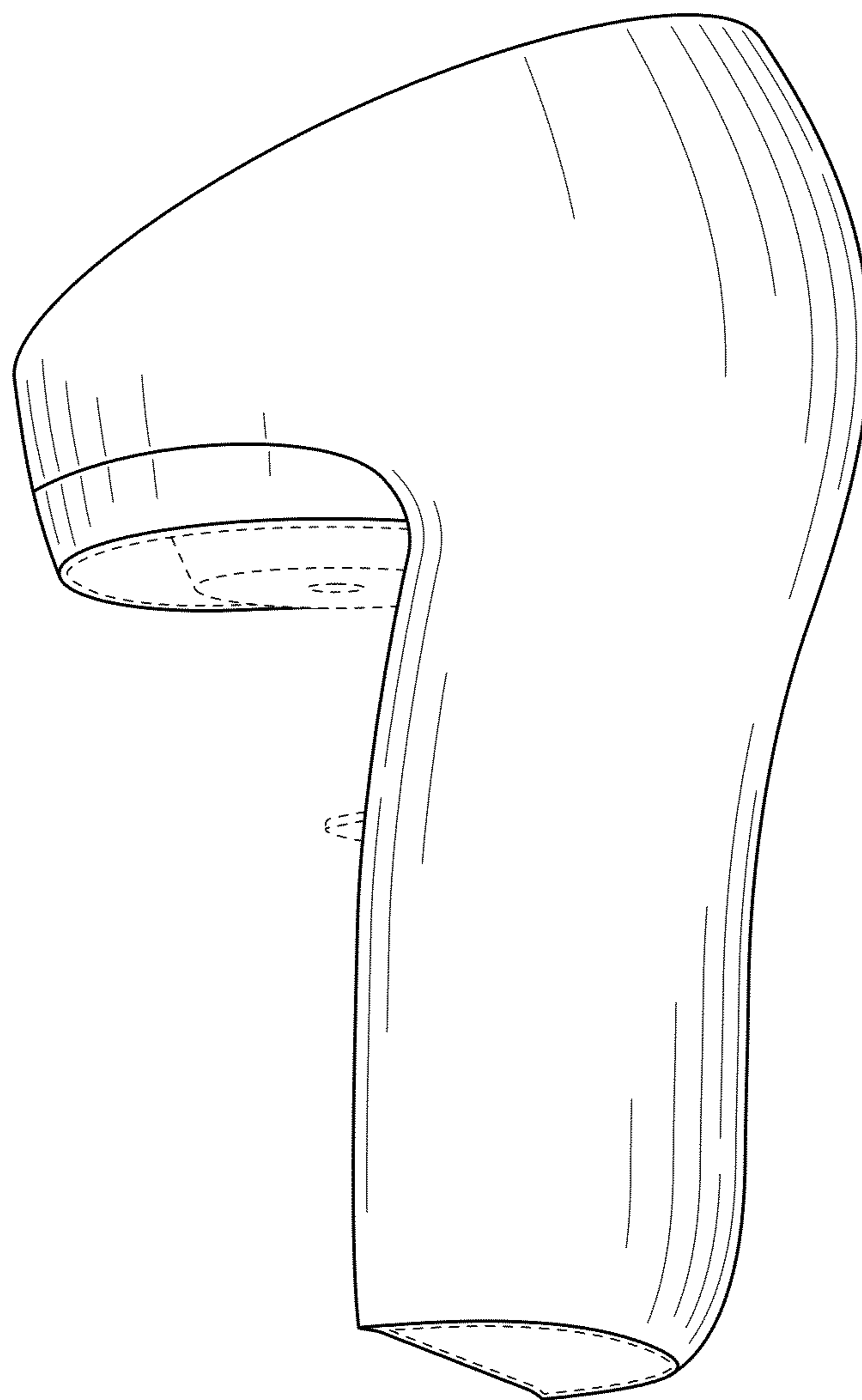


FIG. 16