



US00D738663S

(12) **United States Design Patent**
De'Longhi et al.

(10) **Patent No.:** **US D738,663 S**

(45) **Date of Patent:** **** Sep. 15, 2015**

(54) **COFFEE MAKER**

(56) **References Cited**

(71) Applicant: **De'Longhi Appliances S.R.L. Con Unico Socio**, Treviso (IT)

(72) Inventors: **Giuseppe De'Longhi**, Treviso (IT);
Marco Vaona, Mestre (IT)

(73) Assignee: **De'Longhi Appliances S.R.L. Con Unico Socio**, Treviso (IT)

(**) Term: **14 Years**

(21) Appl. No.: **29/487,630**

(22) Filed: **Apr. 10, 2014**

(51) **LOC (10) Cl.** **07-01**

(52) **U.S. Cl.**
USPC **D7/306; D7/311**

(58) **Field of Classification Search**

USPC D7/306-311, 305, 300, 313; 99/279,
99/284, 290, 280, 299, 307, 305, 295, 308,
99/309, 323.1; 222/23, 129.1; 62/395;
D20/1; D23/207, 209
CPC A47J 31/44; A47J 31/00; B67D 1/0041;
B67D 3/00

See application file for complete search history.

U.S. PATENT DOCUMENTS

D481,902 S *	11/2003	O'Connor et al.	D7/309
D545,110 S *	6/2007	Julemont	D7/309
D546,112 S *	7/2007	Rorke et al.	D7/309
D586,170 S *	2/2009	Jordana	D7/309
D597,781 S *	8/2009	Siu	D7/309
D600,062 S *	9/2009	Lavy	D7/309
D604,551 S *	11/2009	Roncali	D7/306
D604,553 S *	11/2009	Roncali	D7/306
D615,339 S *	5/2010	Bronwasser	D7/306
D628,007 S *	11/2010	Di Bitonto et al.	D7/310
D658,423 S *	5/2012	Curtis et al.	D7/309
D719,776 S *	12/2014	Kunz	D7/309
D721,531 S *	1/2015	Krasne	D7/309

* cited by examiner

Primary Examiner — Marianne Pandozzi

(74) *Attorney, Agent, or Firm* — Flaster/Greenberg P.C.

(57) **CLAIM**

The ornamental design for a coffee maker, as shown and described.

DESCRIPTION

FIG. 1 is a perspective view of a coffee maker;
FIG. 2 is a front view of the coffee maker of FIG. 1;
FIG. 3 is a back view of the coffee maker of FIG. 1;
FIG. 4 is a right side view of the coffee maker of FIG. 1;
FIG. 5 is a left side view of the coffee maker of FIG. 1;
FIG. 6 is a top plan view of the coffee maker of FIG. 1; and,
FIG. 7 is a bottom plan of the coffee maker of FIG. 1.

1 Claim, 7 Drawing Sheets

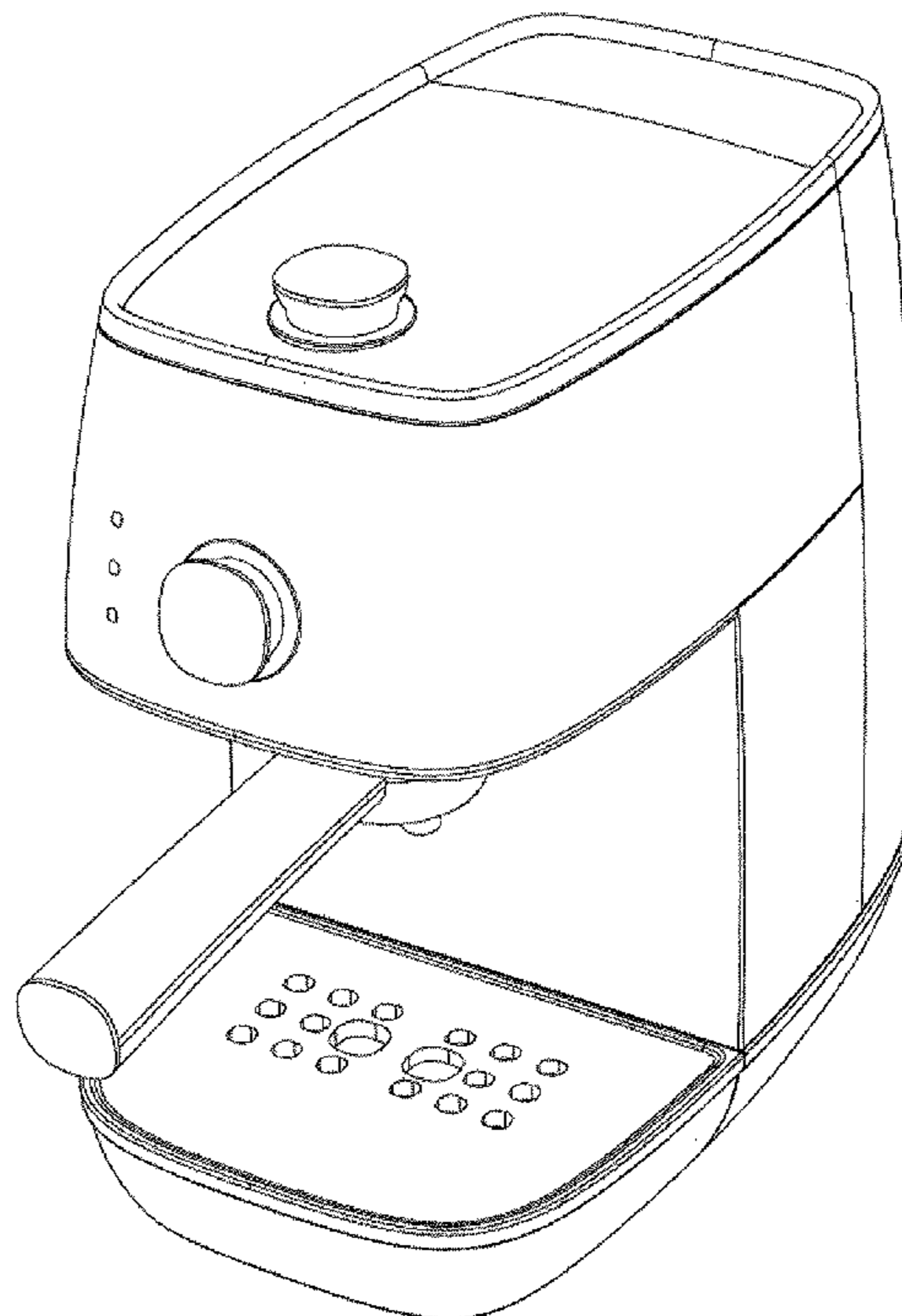


FIG. 1

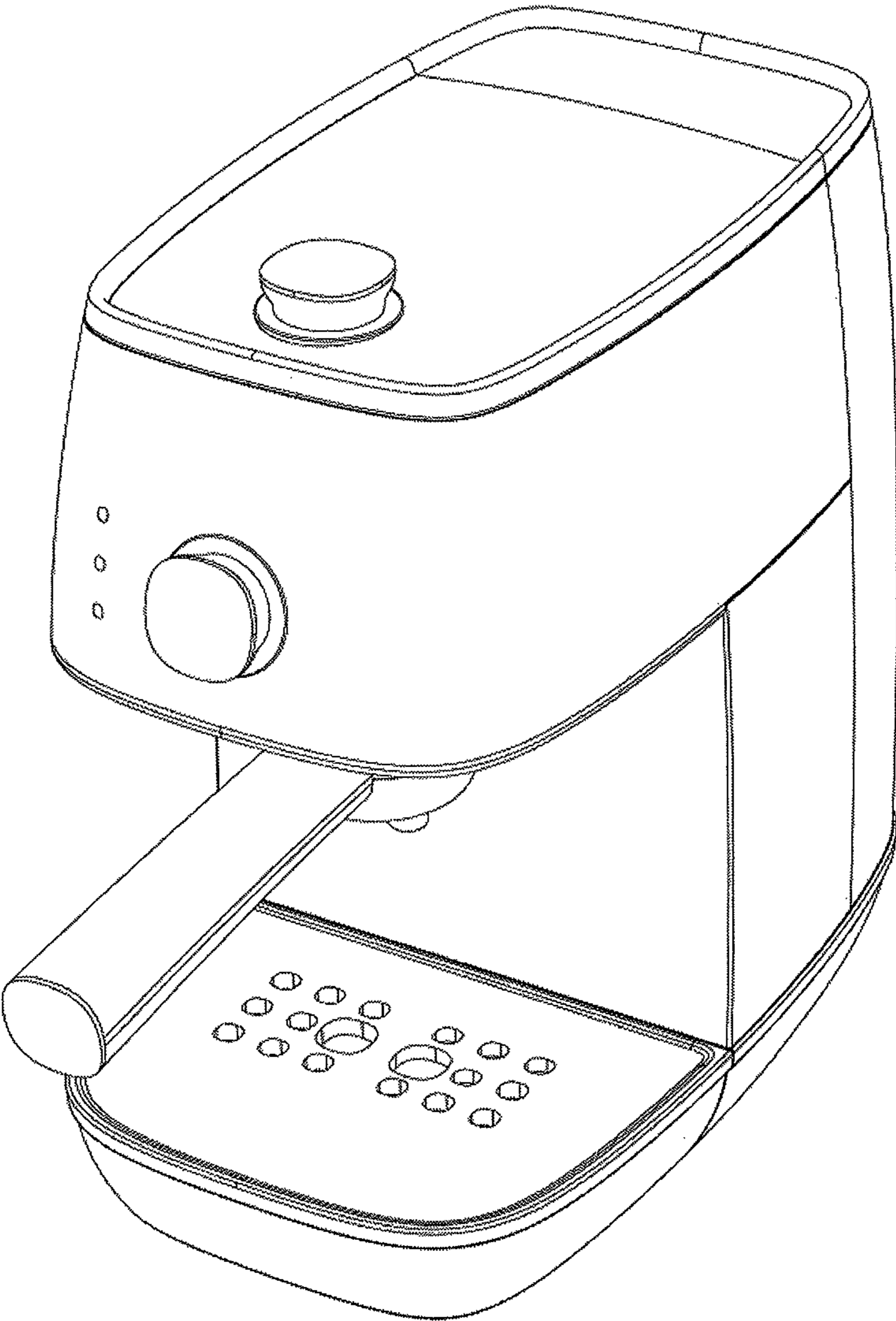


FIG. 2

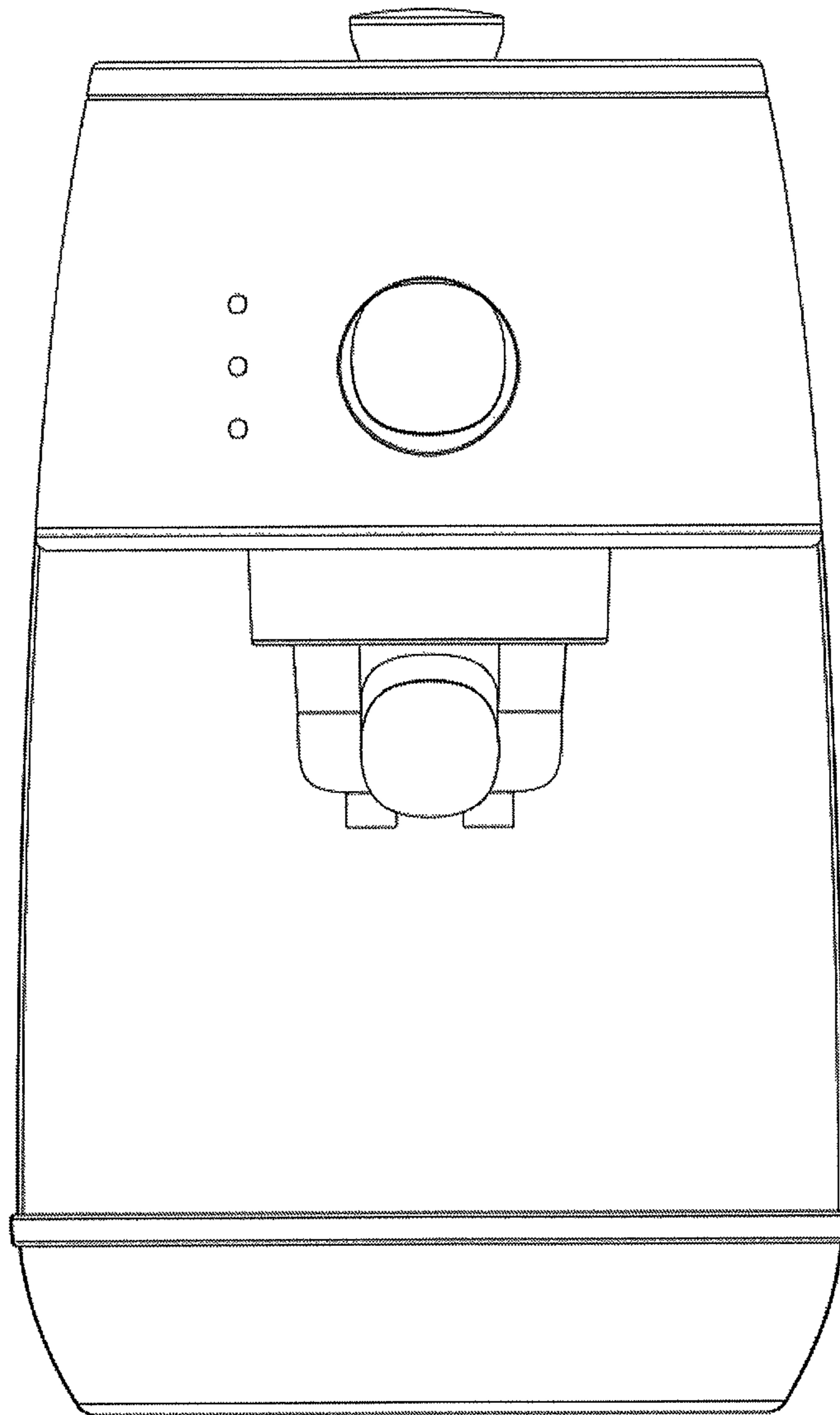


FIG. 3

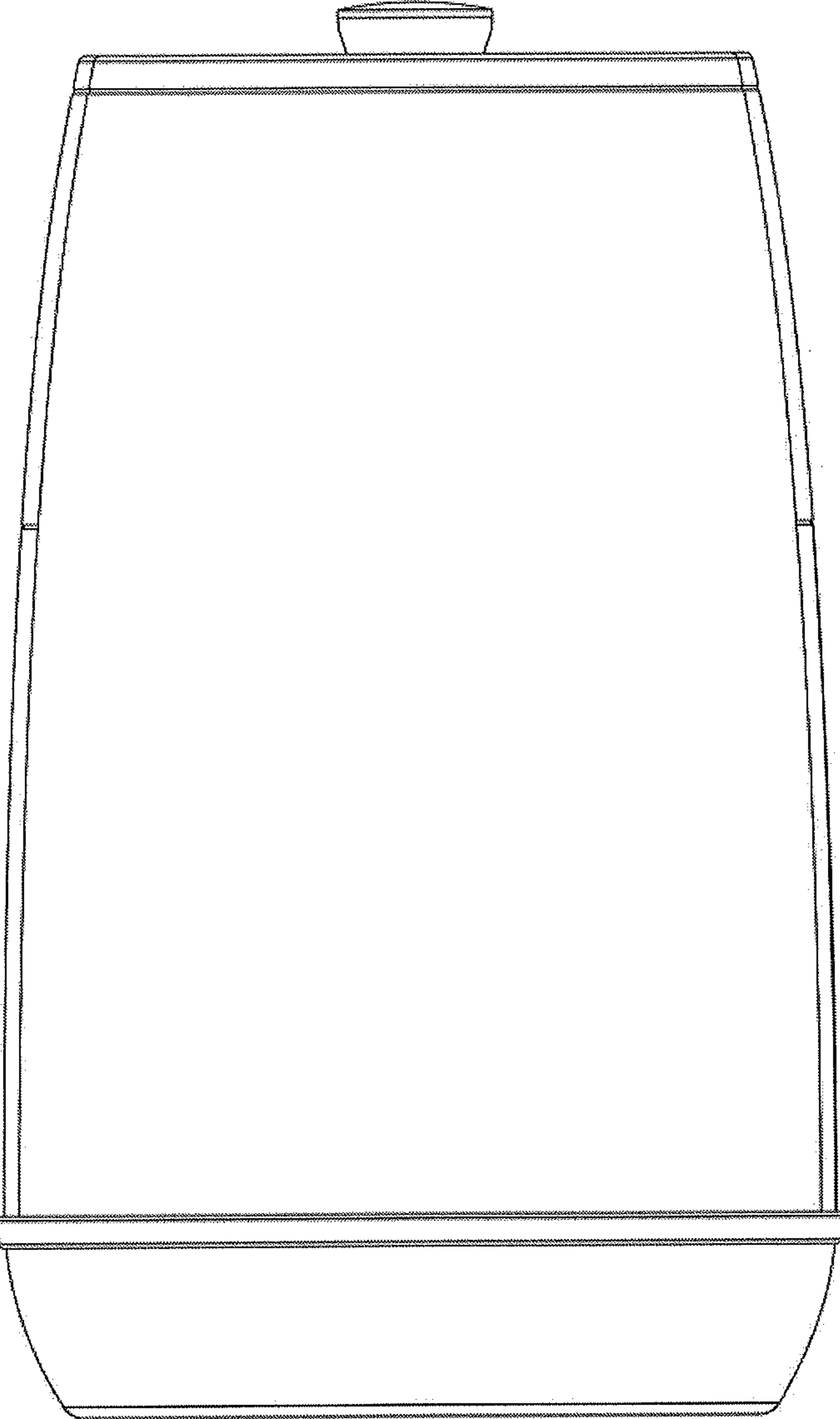


FIG. 4

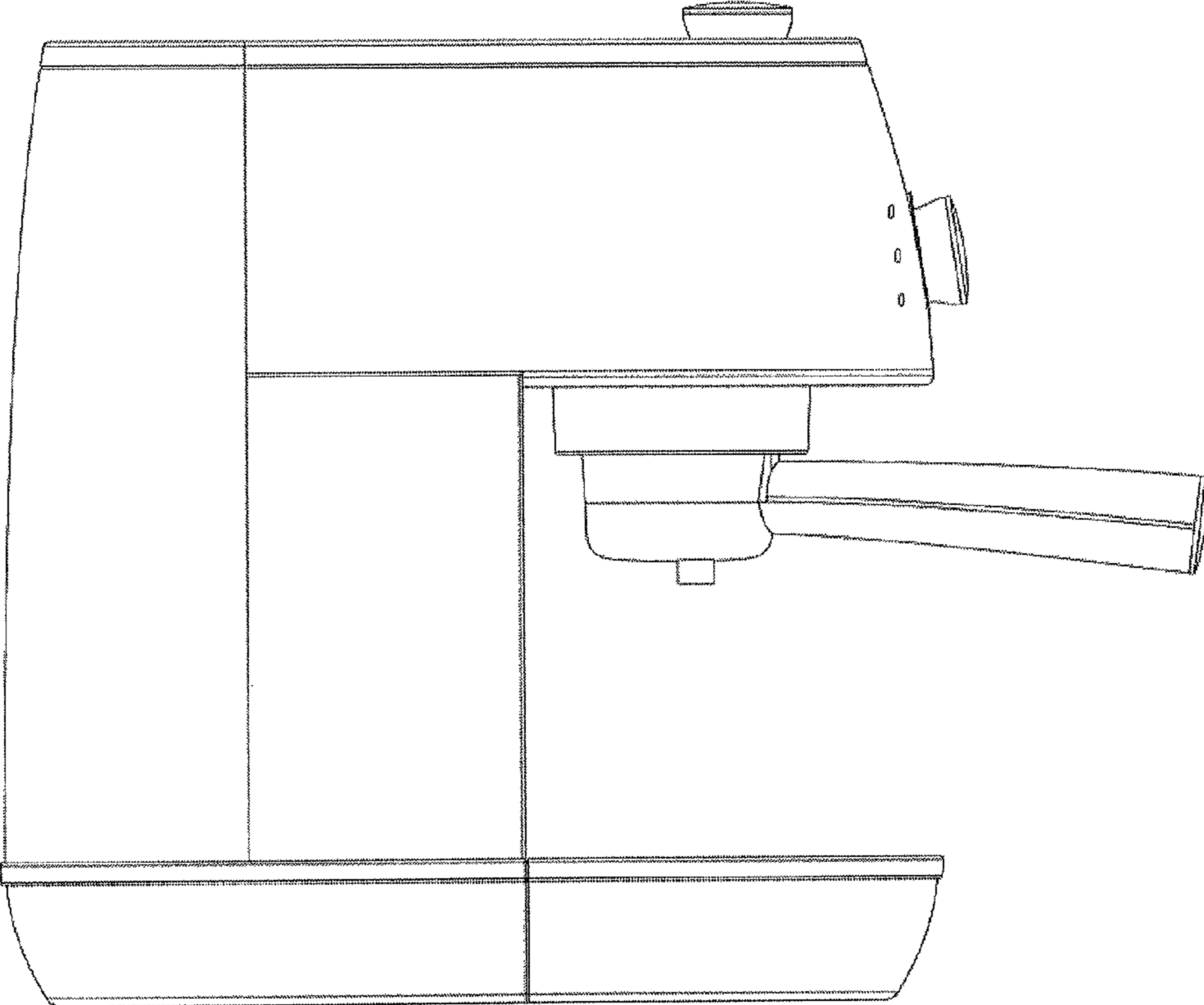


FIG. 5

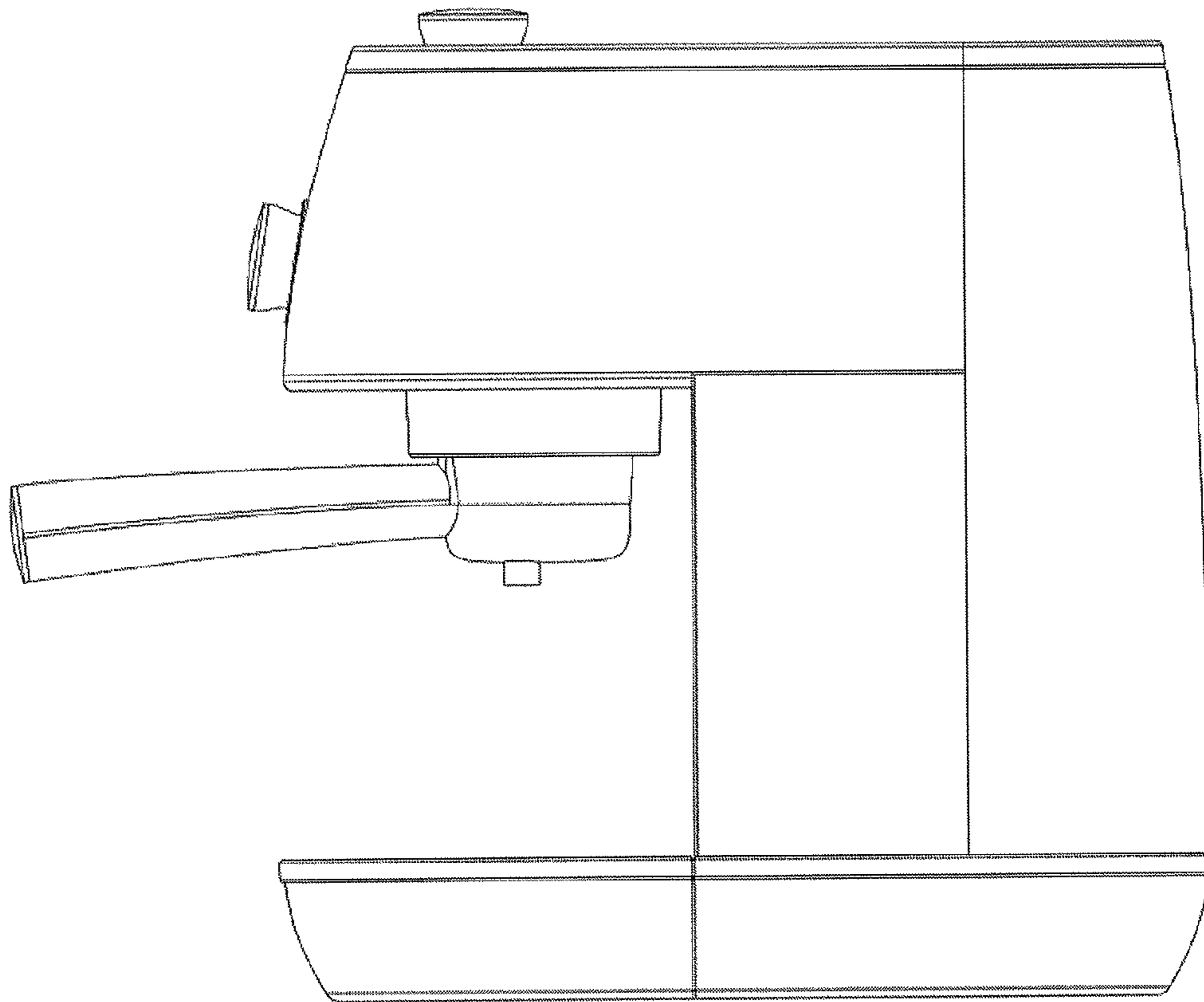


FIG. 6

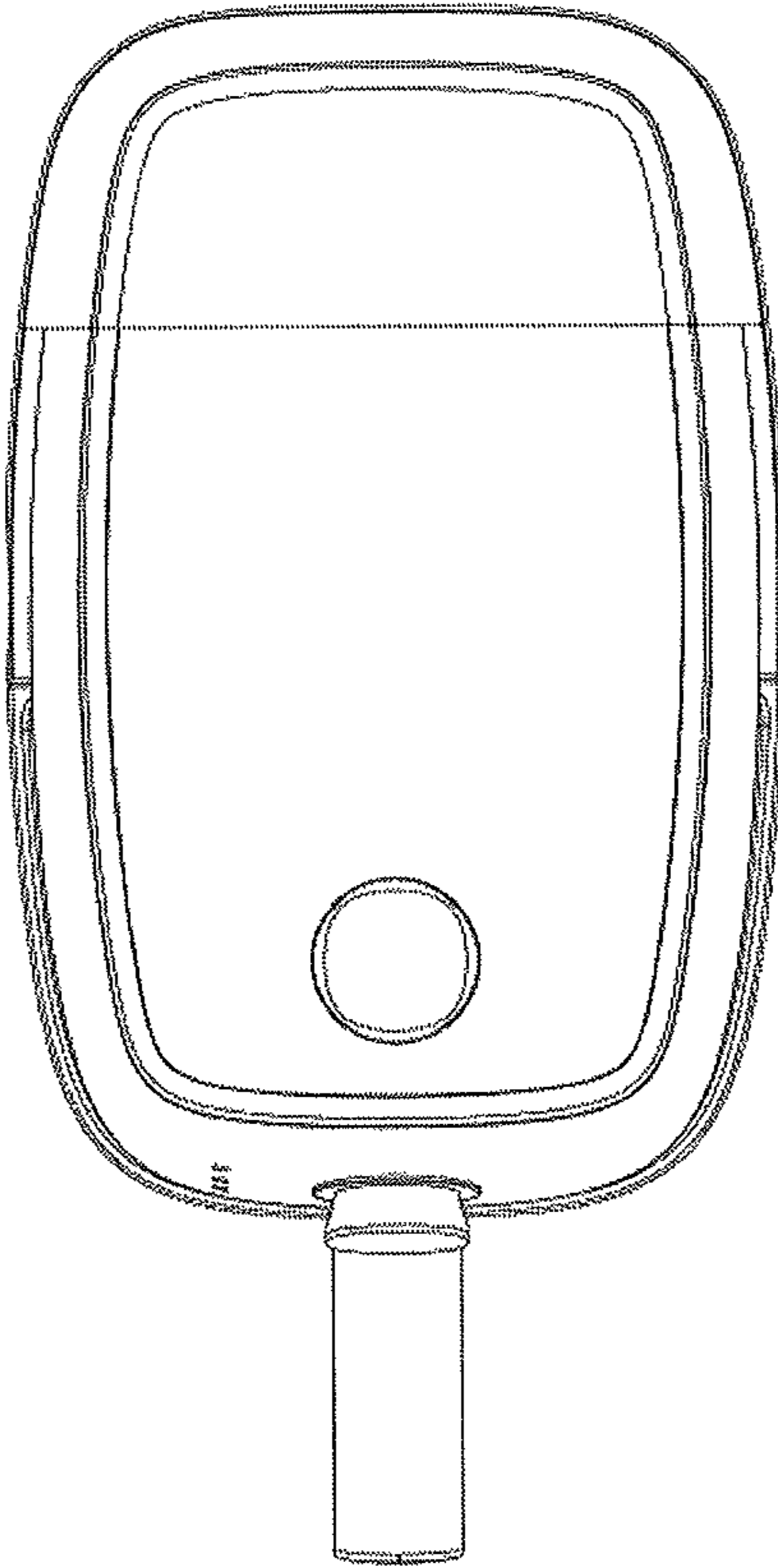


FIG. 7

