



US00D738654S

(12) **United States Design Patent**  
**Xiong**

(10) **Patent No.:** **US D738,654 S**  
(45) **Date of Patent:** **\*\* Sep. 15, 2015**

(54) **TABLE BASE**

(71) Applicant: **Wanli Xiong**, Beijing (CN)

(72) Inventor: **Wanli Xiong**, Beijing (CN)

(\*\*) Term: **14 Years**

(21) Appl. No.: **29/477,480**

(22) Filed: **Dec. 23, 2013**

(51) **LOC (10) Cl.** ..... **06-06**

(52) **U.S. Cl.**  
USPC ..... **D6/708.16**

(58) **Field of Classification Search**  
USPC ..... D6/708, 708.16, 691, 691.6, 692.4,  
D6/692.5, 693.1, 696.2  
CPC ..... A47B 7/00; A47B 2021/11; A47B 13/00;  
A47B 13/02; A47B 13/04; A47B 13/10;  
A47B 91/00; A47B 2200/002; A47B  
2200/031; A47B 13/06  
See application file for complete search history.

(56) **References Cited**

**U.S. PATENT DOCUMENTS**

D169,868 S \* 6/1953 Schwartz ..... D6/484  
D238,840 S \* 2/1976 Cassina ..... D6/692

D260,341 S \* 8/1981 Harrison ..... D6/708.16  
D261,840 S \* 11/1981 Kvasnicka ..... D6/689  
4,494,796 A \* 1/1985 Liebhold ..... 297/440.24  
D349,332 S \* 8/1994 Albritton ..... D23/304  
D407,580 S \* 4/1999 Ossip ..... D6/680.3

\* cited by examiner

*Primary Examiner* — Janice Seeger

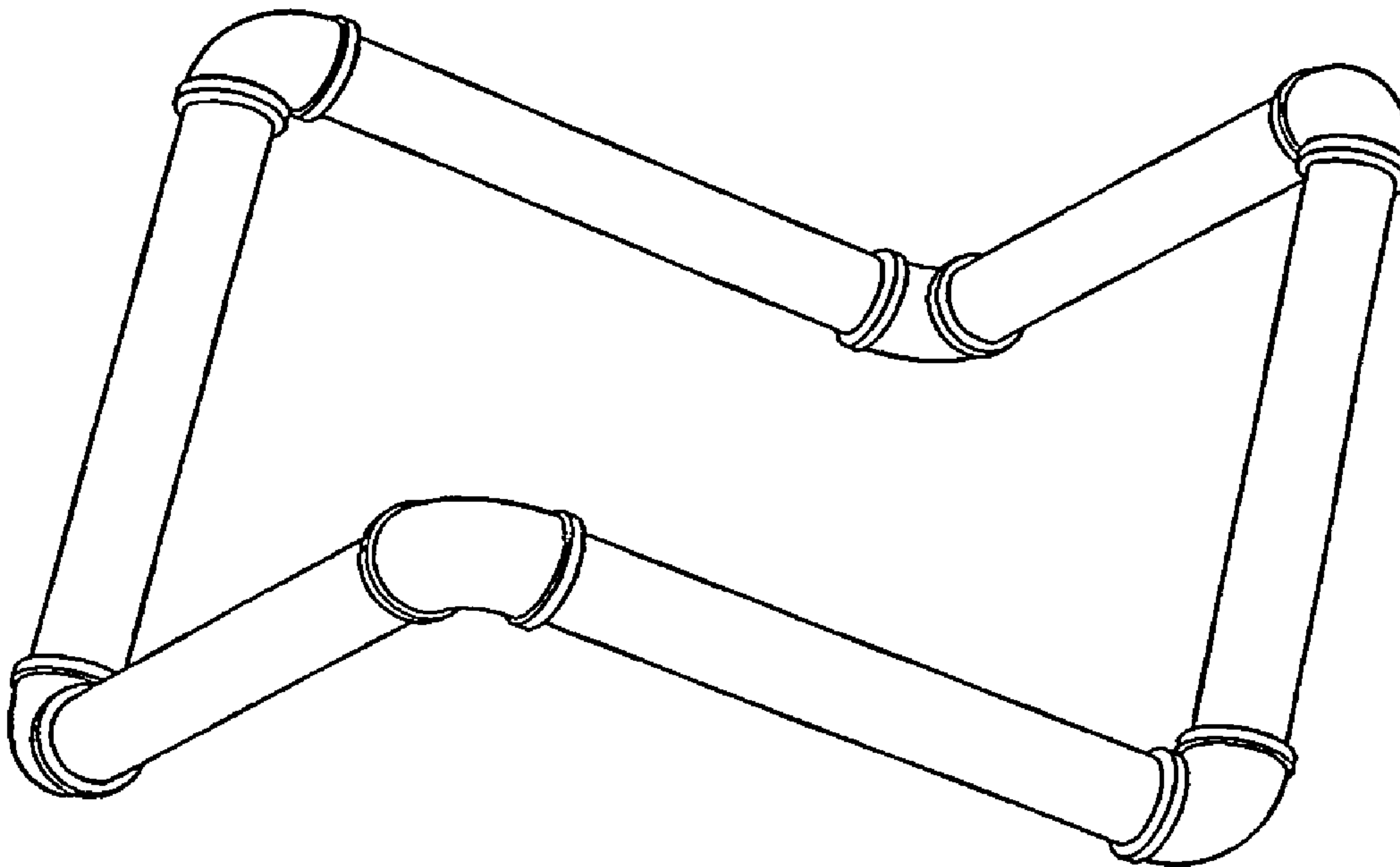
(57) **CLAIM**

The ornamental design for a table base, as shown and described.

**DESCRIPTION**

FIG. 1 is perspective view of the table base of the present design;  
FIG. 2 is a front view of the table base seen in FIG. 1;  
FIG. 3 is a rear view of the table base seen in FIG. 1;  
FIG. 4 is a left elevation view of the table base seen in FIG. 1;  
FIG. 5 is a right elevation view of the table base seen in FIG. 1;  
FIG. 6 is a top plan view of the table base seen in FIG. 1;  
FIG. 7 is a bottom plan view of the table base seen in FIG. 1;  
and,  
FIG. 8 is an exploded view of the table base seen in FIG. 1.

**1 Claim, 5 Drawing Sheets**



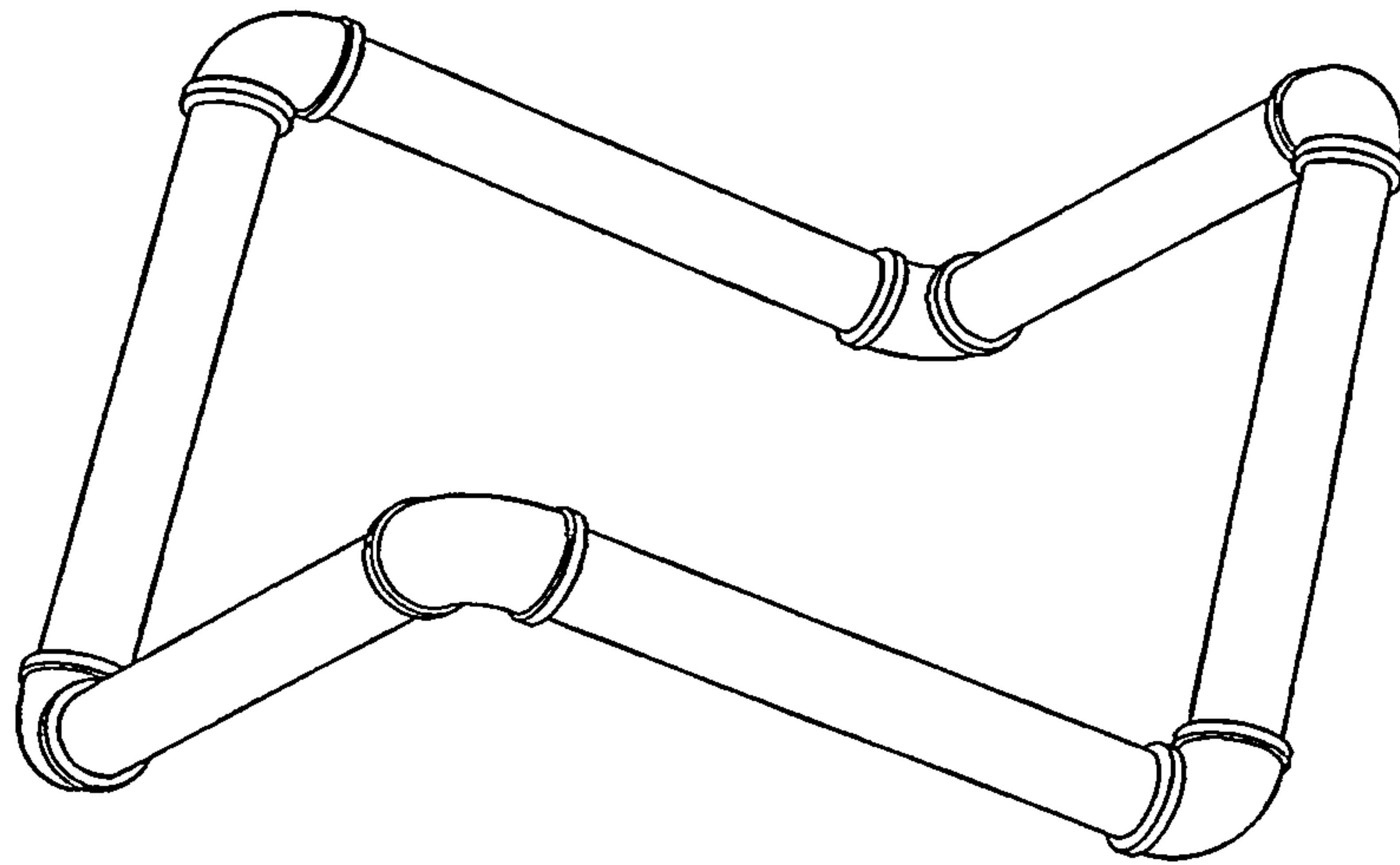


FIG. 1

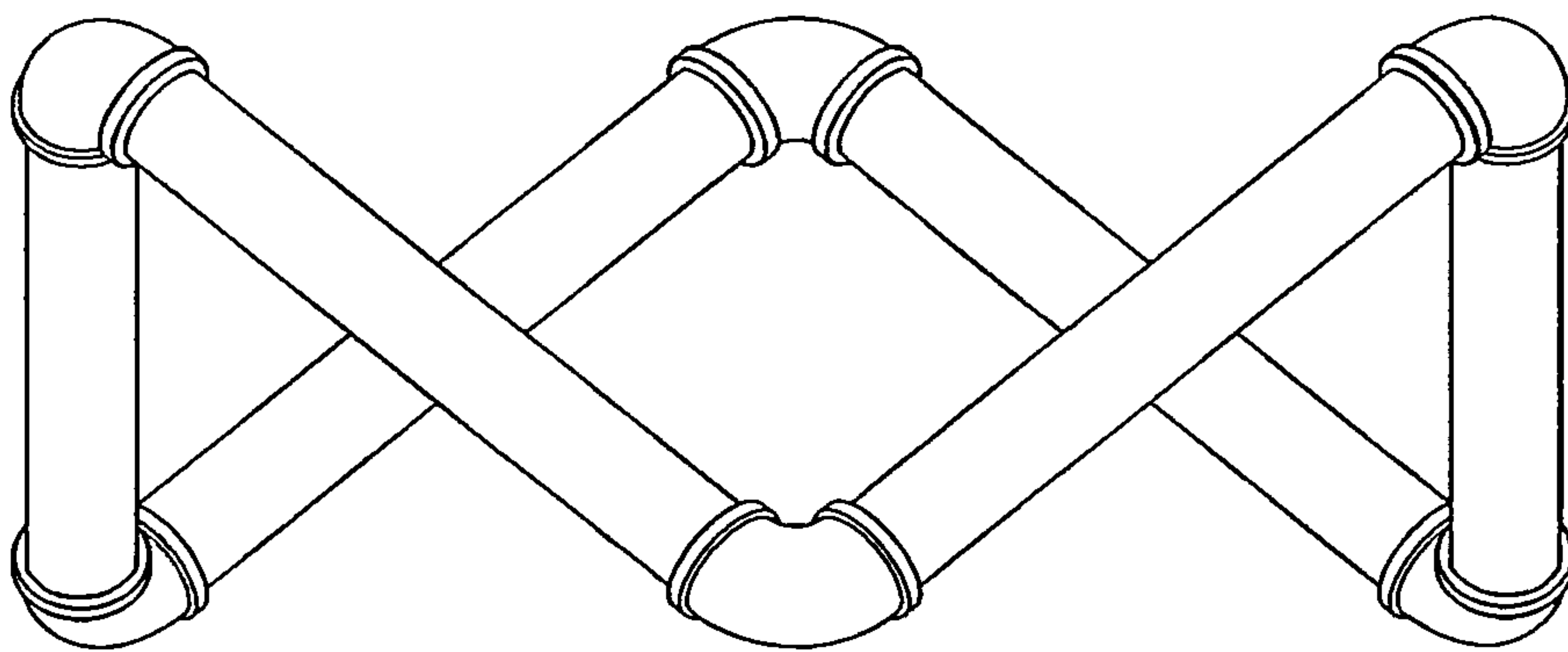


FIG. 2

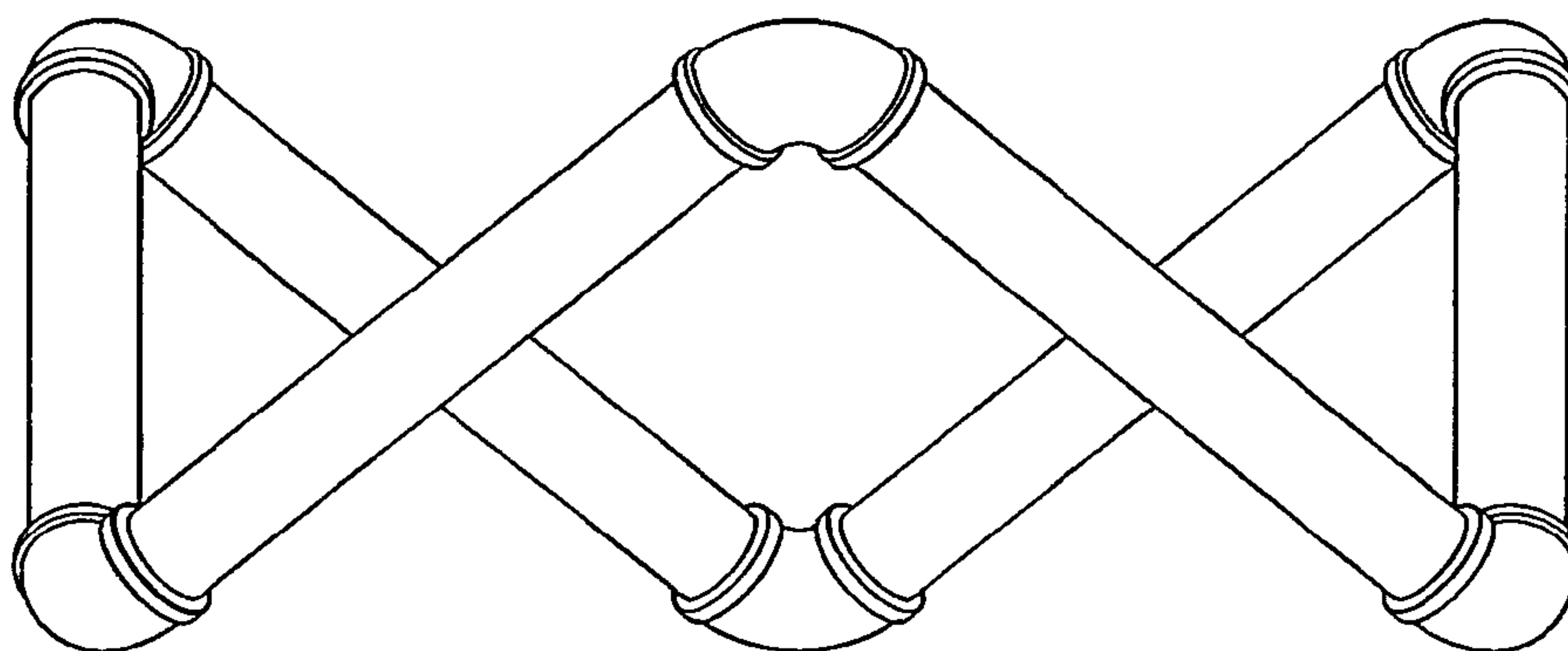


FIG. 3

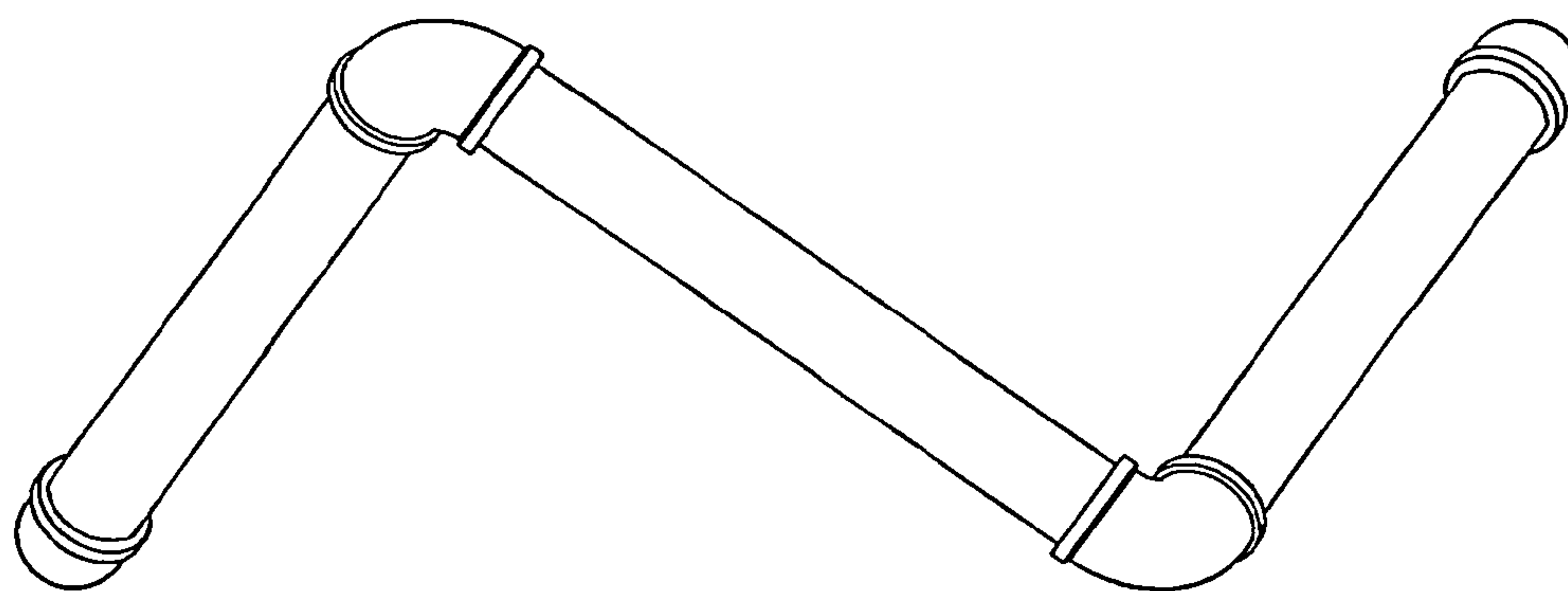


FIG. 4

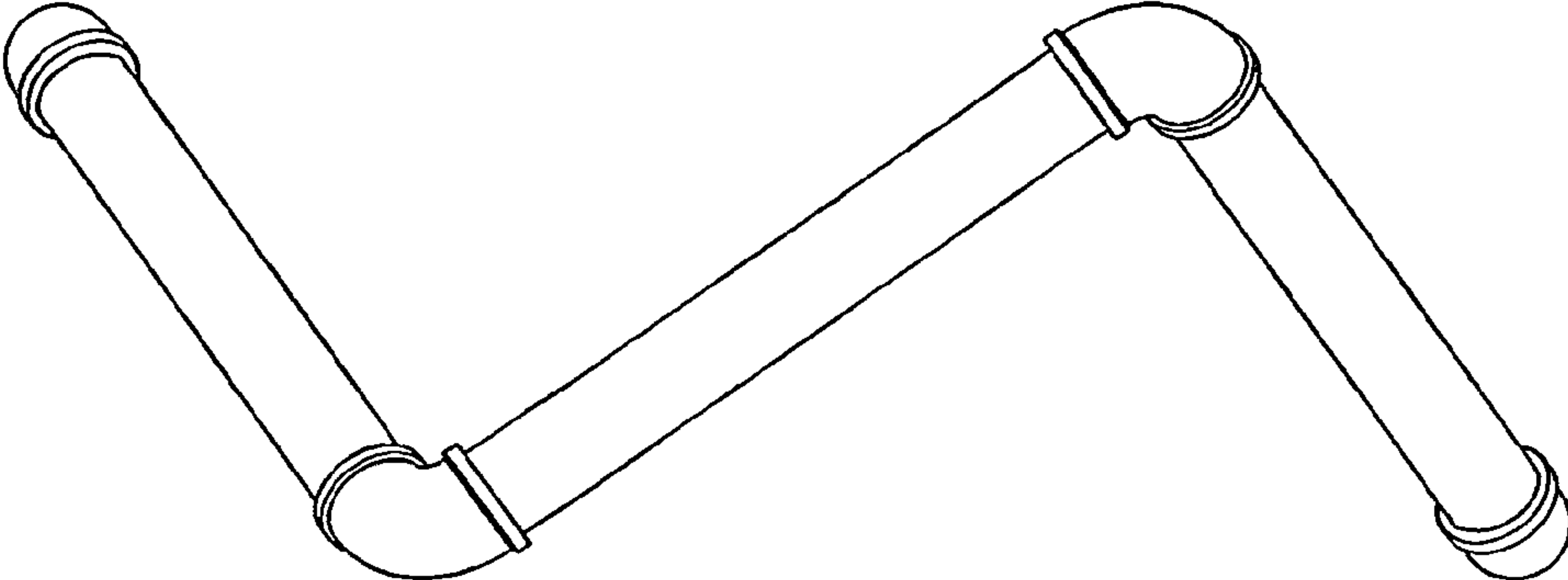


FIG. 5

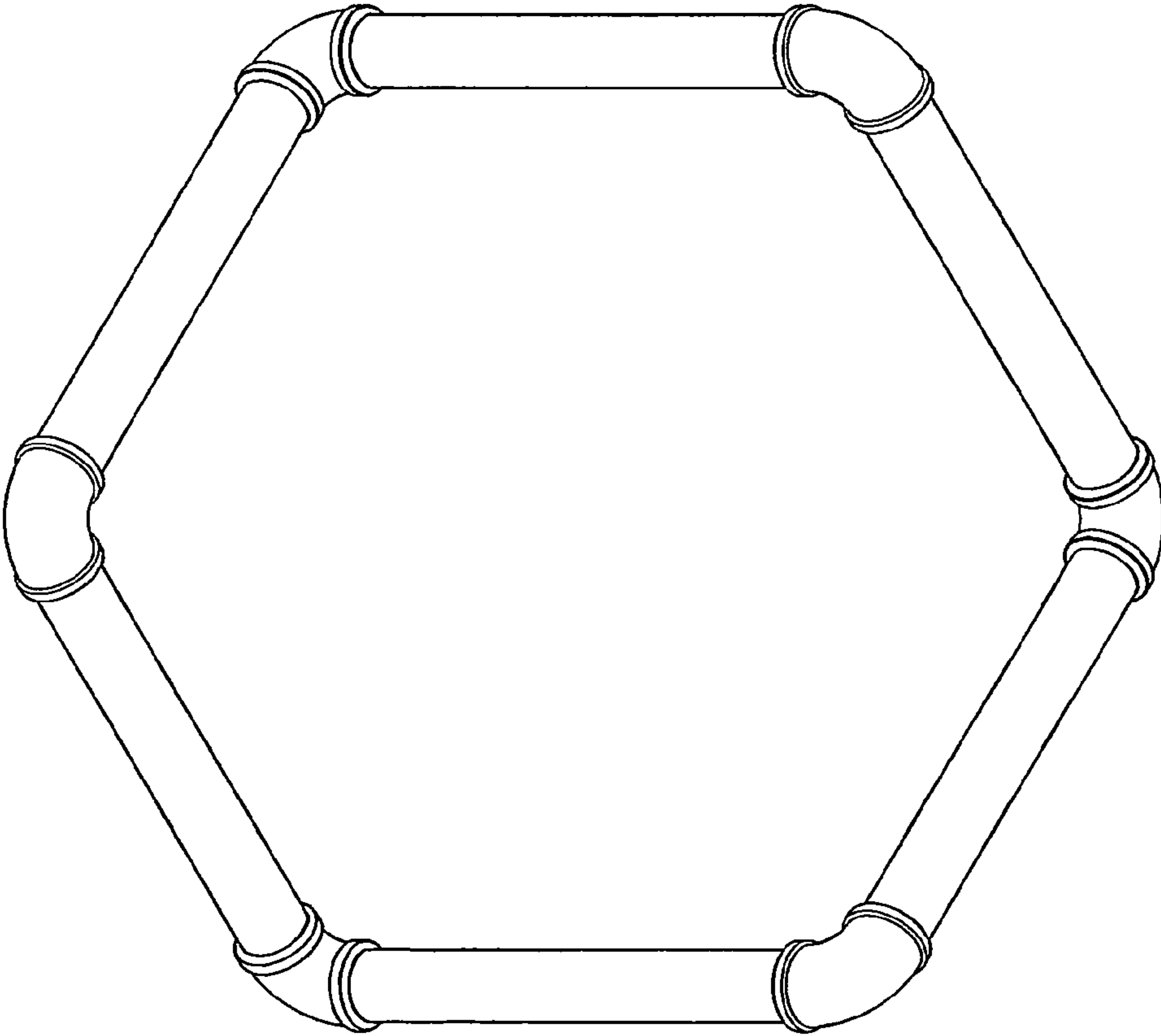


FIG. 6

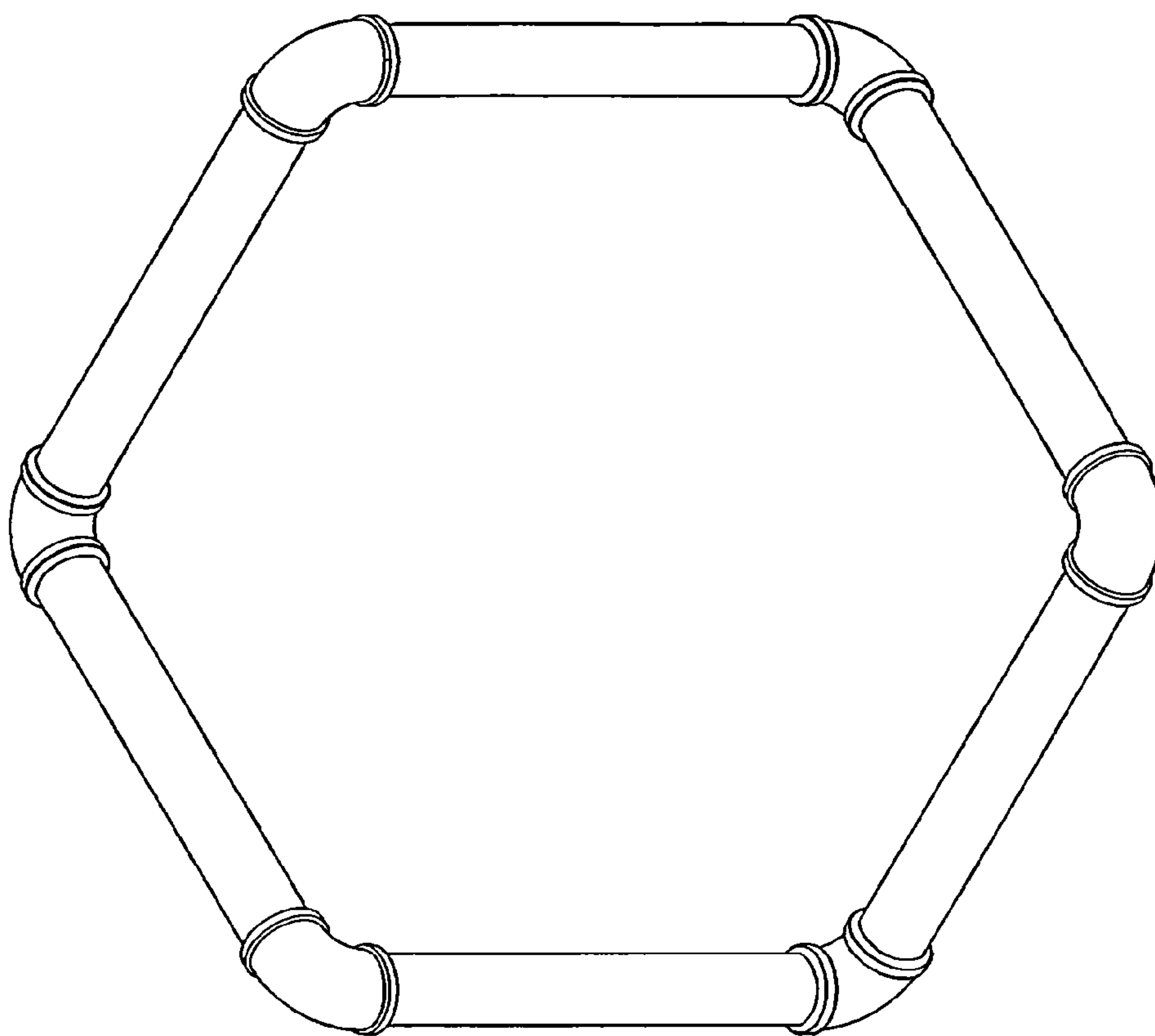


FIG. 7

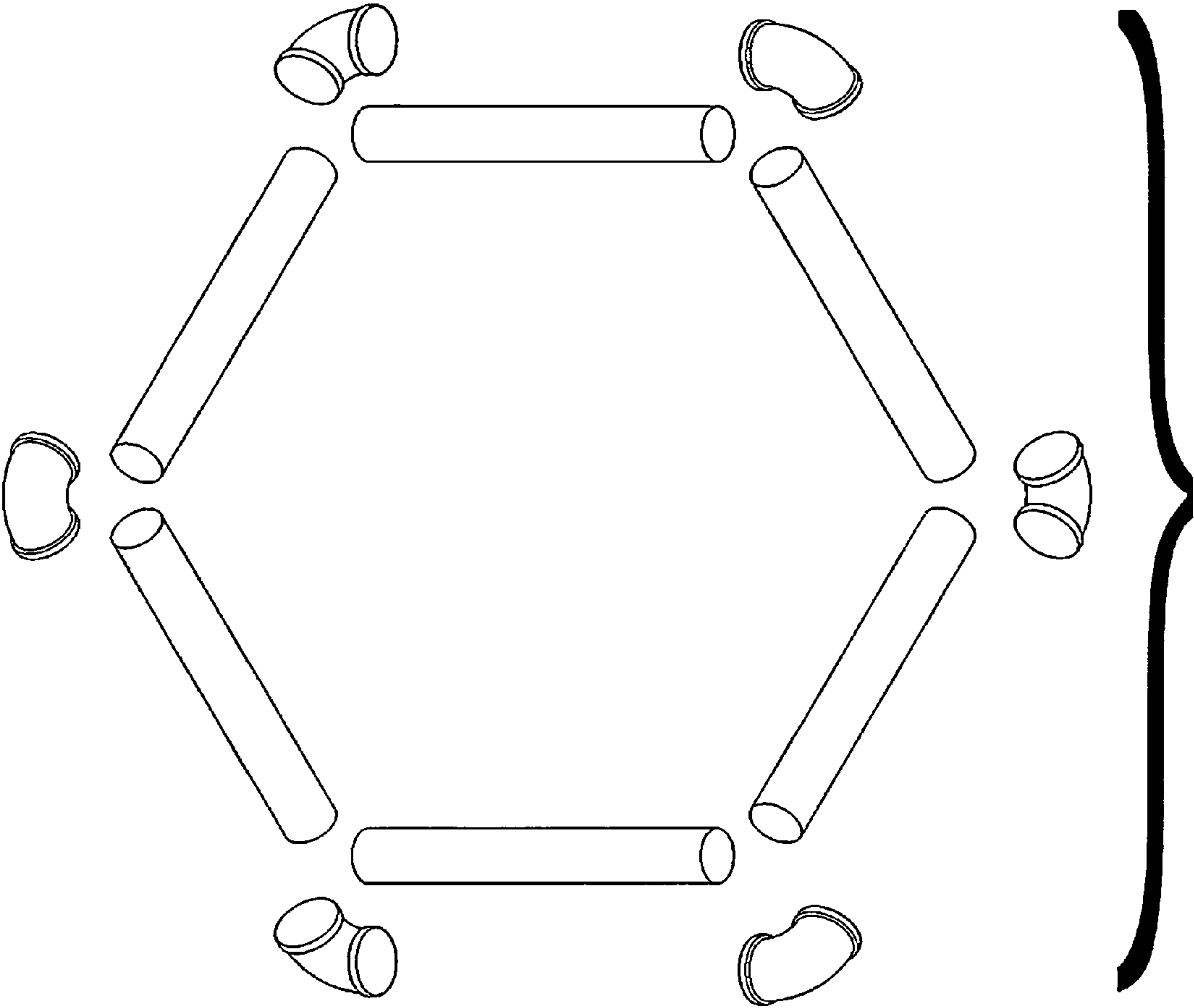


FIG. 8