



US00D738653S

(12) **United States Design Patent**
Troyner et al.

(10) **Patent No.:** **US D738,653 S**

(45) **Date of Patent:** **** *Sep. 15, 2015**

(54) **SHELF SUPPORT BEAM**

(56) **References Cited**

(71) Applicant: **Edsal Manufacturing Company, Inc.**,
Chicago, IL (US)

U.S. PATENT DOCUMENTS

(72) Inventors: **Anthony J. Troyner**, Shorewood, IL
(US); **Antonio Luis Escalante**, Chicago,
IL (US); **David J. Wojtowicz**, Orland
Park, IL (US); **Mitchell Liss**,
Northbrook, IL (US)

2,841,255	A *	7/1958	Kemp	52/395
4,367,972	A *	1/1983	Panthout	403/387
D270,550	S	9/1983	Sax	
4,825,529	A	5/1989	Sawada et al.	
D302,239	S *	7/1989	Russell et al.	D8/366
D357,407	S	4/1995	Pate	
D375,718	S *	11/1996	Lazzeroni et al.	D12/223
5,624,045	A *	4/1997	Highsmith et al.	211/192
D387,970	S *	12/1997	Enslin	D8/349
5,704,495	A *	1/1998	Bale et al.	211/71.01

(73) Assignee: **Edsal Manufacturing Company, Inc.**,
Chicago, IL (US)

(Continued)

(*) Notice: This patent is subject to a terminal dis-
claimer.

Primary Examiner — Kelley Donnelly

(74) *Attorney, Agent, or Firm* — Wood, Herron & Evans,
LLP

(**) Term: **14 Years**

(57) **CLAIM**

The ornamental design for a shelf support beam, as shown and
described.

(21) Appl. No.: **29/490,190**

DESCRIPTION

(22) Filed: **May 7, 2014**

Related U.S. Application Data

(63) Continuation of application No. 29/404,724, filed on
Oct. 25, 2011, now Pat. No. Des. 714,577.

(51) **LOC (10) Cl.** **06-06**

(52) **U.S. Cl.**
USPC **D6/705.5**

(58) **Field of Classification Search**
USPC D6/396, 491–492, 509–511, 702, 705,
D6/705.5; D25/119, 125–126; 248/441.1,
248/469, 473; 211/94.01; D8/380–381,
D8/356; 52/223.8, 649.2, 650.1
CPC A47B 96/021; A47B 96/06; A47B 96/066
See application file for complete search history.

FIG. 1 is an isometric view of the shelf support beam of our
new design;

FIG. 2 is a front isometric view thereof;

FIG. 3 is another front isometric view thereof;

FIG. 4 is a rear isometric view thereof;

FIG. 5 is a front elevational view thereof;

FIG. 6 is a rear elevational view thereof;

FIG. 7 is a top plan view thereof;

FIG. 8 is a bottom view thereof;

FIG. 9 is a left side elevational view thereof, a right side
elevational view being a mirror image;

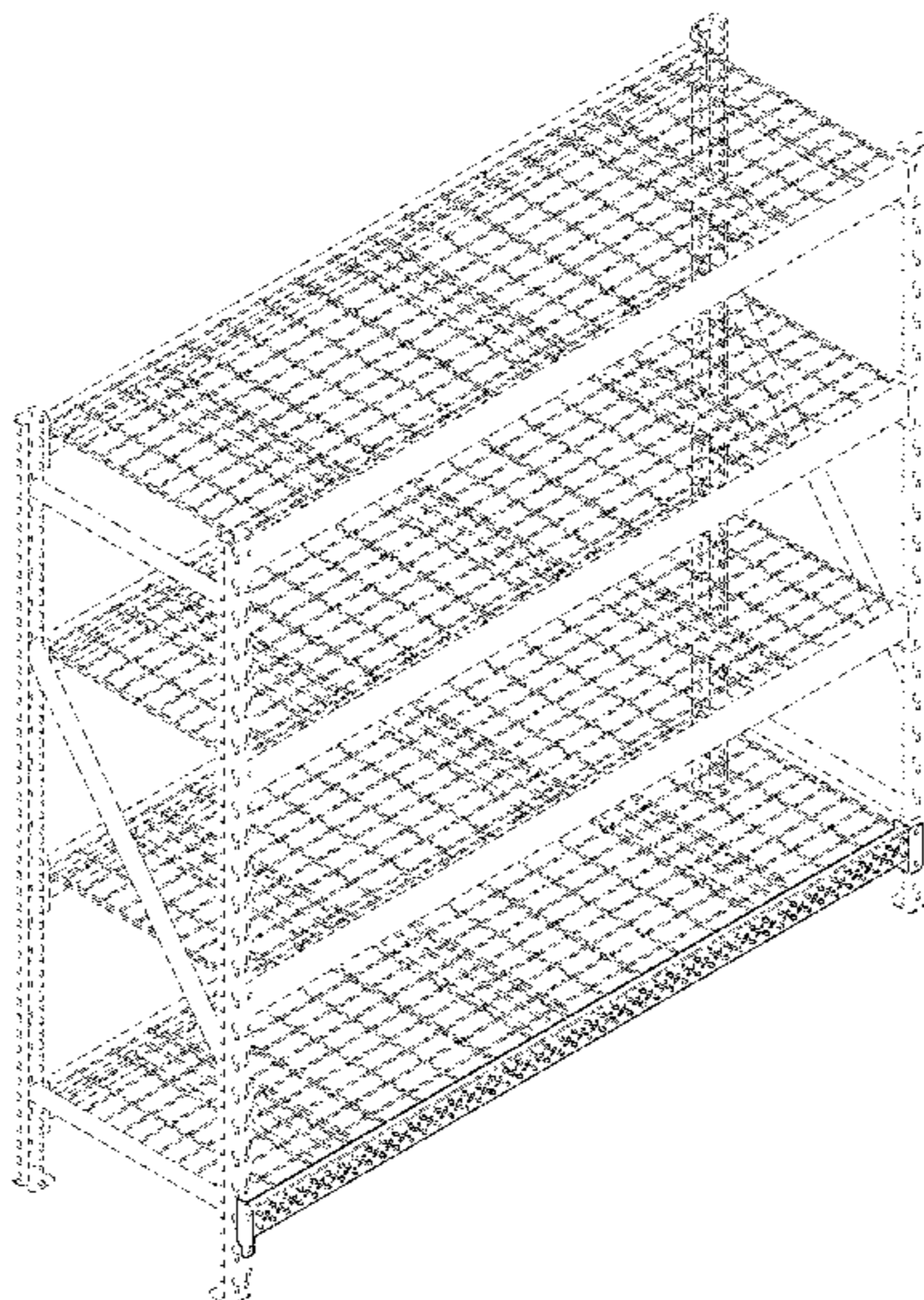
FIG. 10 is a cross-sectional view of a portion of FIG. 3; and,

FIG. 11 is a rear cross section view of FIG. 10.

The broken lines showing are included for the purpose of
illustrating environment and form no part of the claimed
design.

The diagonal lines illustrated on the end of the enlarged
portion of the shelf support beam in FIG. 10 represent a
cross-sectional view and does not form part of the claimed
design.

1 Claim, 7 Drawing Sheets



(56)

References Cited

U.S. PATENT DOCUMENTS

D394,862 S *	6/1998	Fischer	D14/253	D628,539 S *	12/2010	Tezak et al.	D13/152
D395,816 S	7/1998	Colodny			D630,087 S *	1/2011	Stram et al.	D8/356
D398,219 S *	9/1998	Campman	D8/363	7,874,125 B2	1/2011	Polk, Jr.		
D421,067 S	2/2000	Weiller			D633,781 S	3/2011	Wood		
D445,019 S *	7/2001	Vitetta	D8/366	D639,585 S	6/2011	Shen et al.		
D470,926 S	2/2003	Knight			D640,123 S	6/2011	Stearns et al.		
D482,404 S	11/2003	McIlvaine			D647,246 S	10/2011	Chadwick		
D486,676 S	2/2004	Campbell et al.			D649,692 S	11/2011	Trzesniowski		
D490,260 S	5/2004	Bowen			D651,433 S	1/2012	Le et al.		
D490,697 S *	6/2004	Runnalls	D8/380	D652,986 S	1/2012	Trzesniowski		
6,988,347 B2	1/2006	Nanayakkara			D653,528 S	2/2012	Choi et al.		
D537,325 S	2/2007	Wolff et al.			D658,913 S	5/2012	Troyner et al.		
D537,326 S	2/2007	Wolff et al.			D659,449 S	5/2012	Lawson		
D542,421 S	5/2007	Dempsey et al.			D660,462 S	5/2012	Chen		
D547,641 S *	7/2007	Jueneman	D8/382	D660,544 S	5/2012	Onayama		
D552,975 S	10/2007	Ahlund			D674,220 S	1/2013	Kim		
D556,214 S *	11/2007	Fretwell	D15/5	D677,502 S	3/2013	Ryan		
D565,399 S *	4/2008	Grey	D8/380	D683,983 S	6/2013	Troyner et al.		
D576,526 S	9/2008	McBain			D683,984 S	6/2013	Troyner et al.		
D584,941 S	1/2009	Broehl et al.			D685,588 S *	7/2013	Stukenberg et al.	D6/657
D592,938 S	5/2009	Pae et al.			D686,430 S	7/2013	Fitzgerald et al.		
D594,386 S	6/2009	Jorgensen et al.			D690,189 S	9/2013	Wojtowicz et al.		
D595,069 S	6/2009	Berry et al.			D693,668 S	11/2013	Wojtowicz et al.		
D597,353 S	8/2009	Liss et al.			D696,344 S	12/2013	Ehrlich et al.		
D600,362 S	9/2009	Geffe			D696,575 S	12/2013	Heindl		
D600,826 S	9/2009	Ratanasiriwilai			D702,466 S	4/2014	Kim		
D602,764 S	10/2009	Pae et al.			D703,029 S *	4/2014	Fox	D8/373
D604,537 S	11/2009	Liss et al.			D713,187 S	9/2014	Troyner et al.		
7,625,467 B2	12/2009	Ando et al.			D714,577 S	10/2014	Troyner et al.		
D609,825 S	2/2010	Clarke et al.			D716,090 S *	10/2014	Schepens	D6/705.7
D611,327 S *	3/2010	Chawgo	D8/356	2006/0175274 A1	8/2006	Yang		
D618,365 S	6/2010	Crane			2006/0195980 A1	9/2006	Nagley		
D625,534 S	10/2010	Chen			2010/0139188 A1	6/2010	Callentine et al.		
D626,817 S	11/2010	Donowho et al.			2012/0025038 A1	2/2012	Seelman et al.		
					2012/0080655 A1	4/2012	Coffin		
					2012/0138758 A1	6/2012	Graber		

* cited by examiner

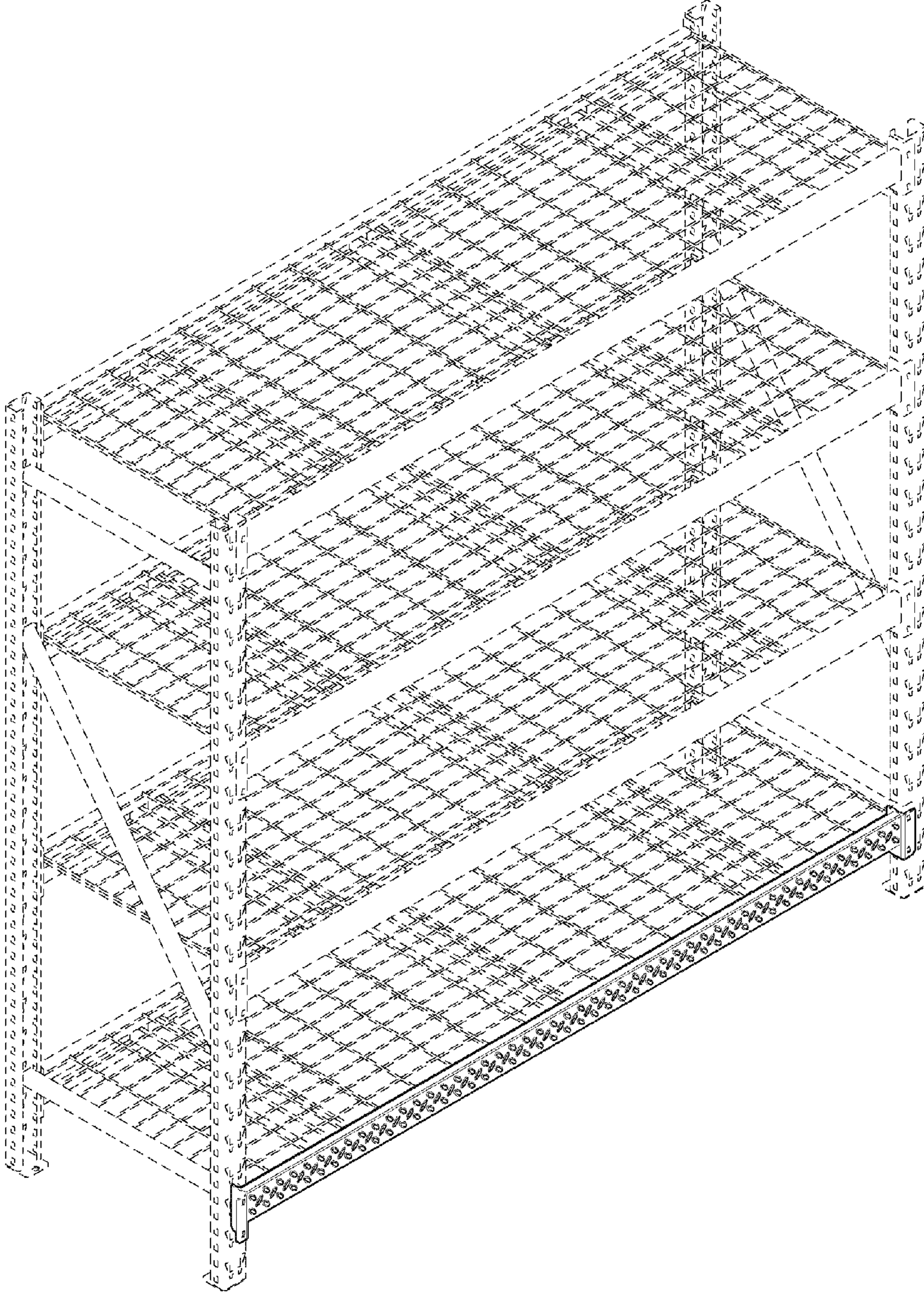


FIG. 1

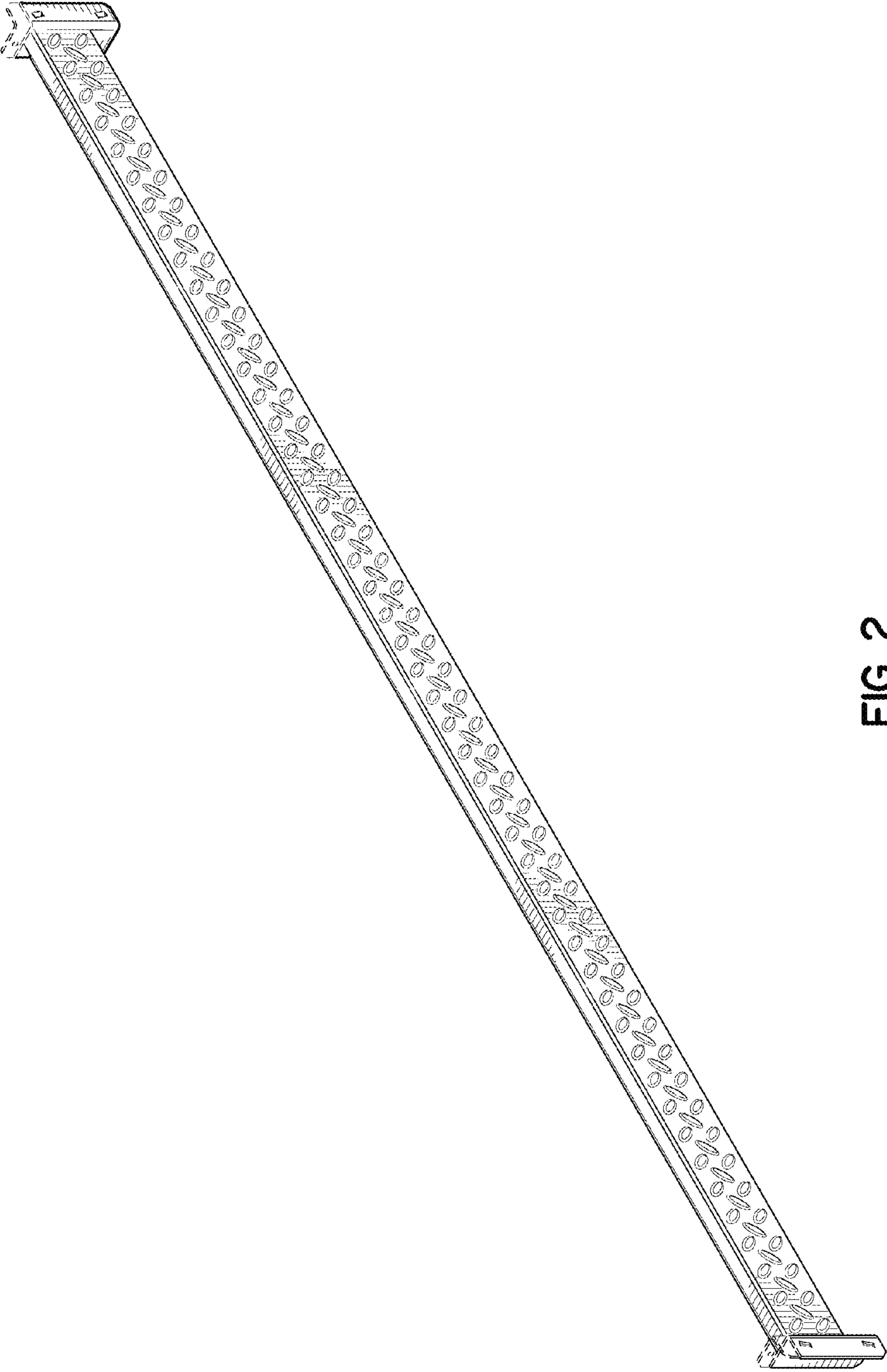


FIG. 2

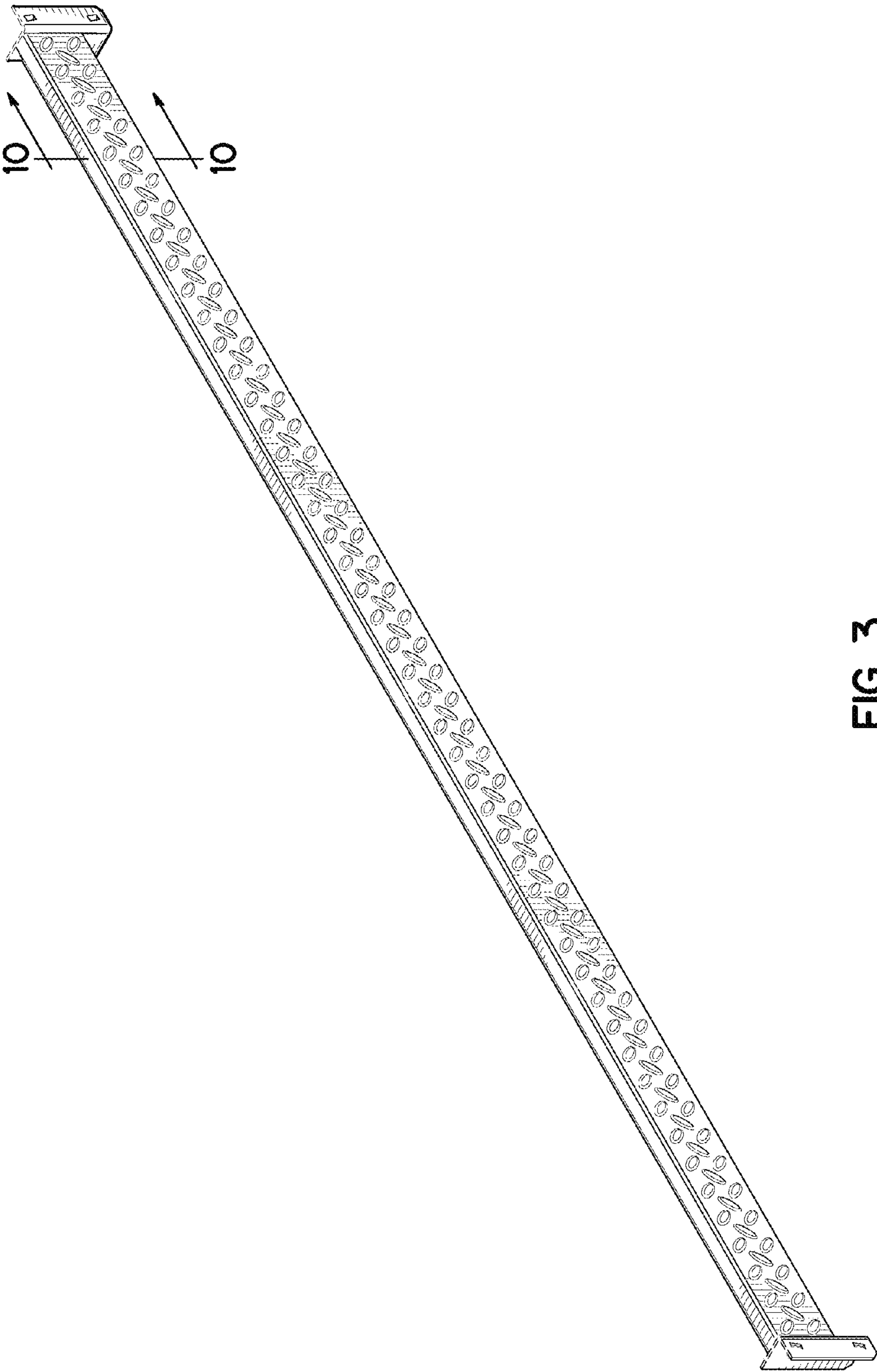


FIG. 3

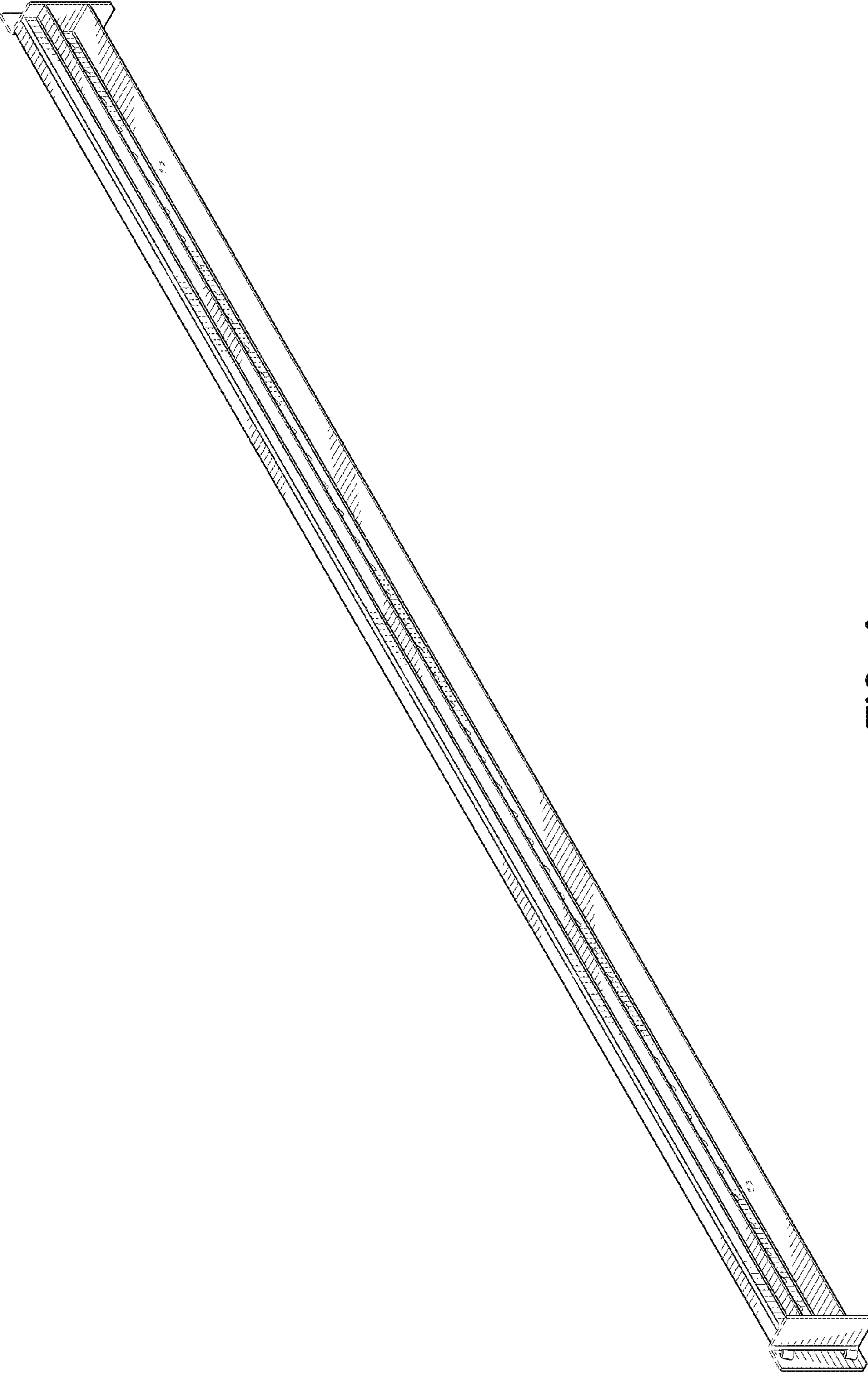


FIG. 4

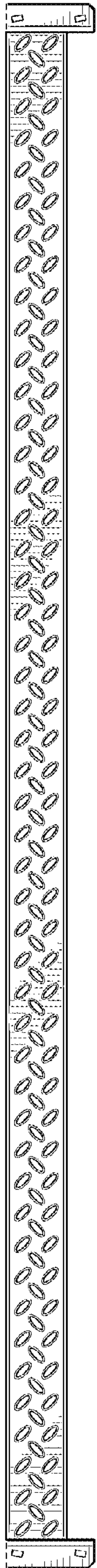


FIG. 5

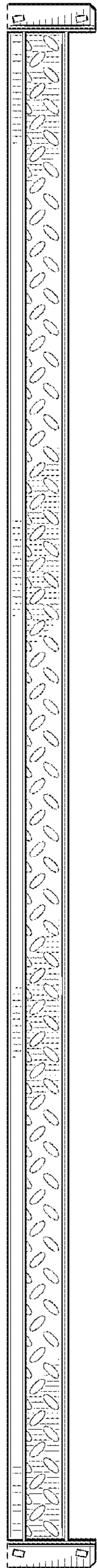


FIG. 6

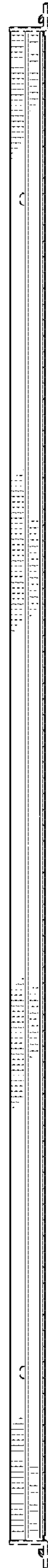


FIG. 7

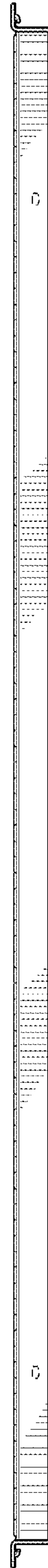


FIG. 8

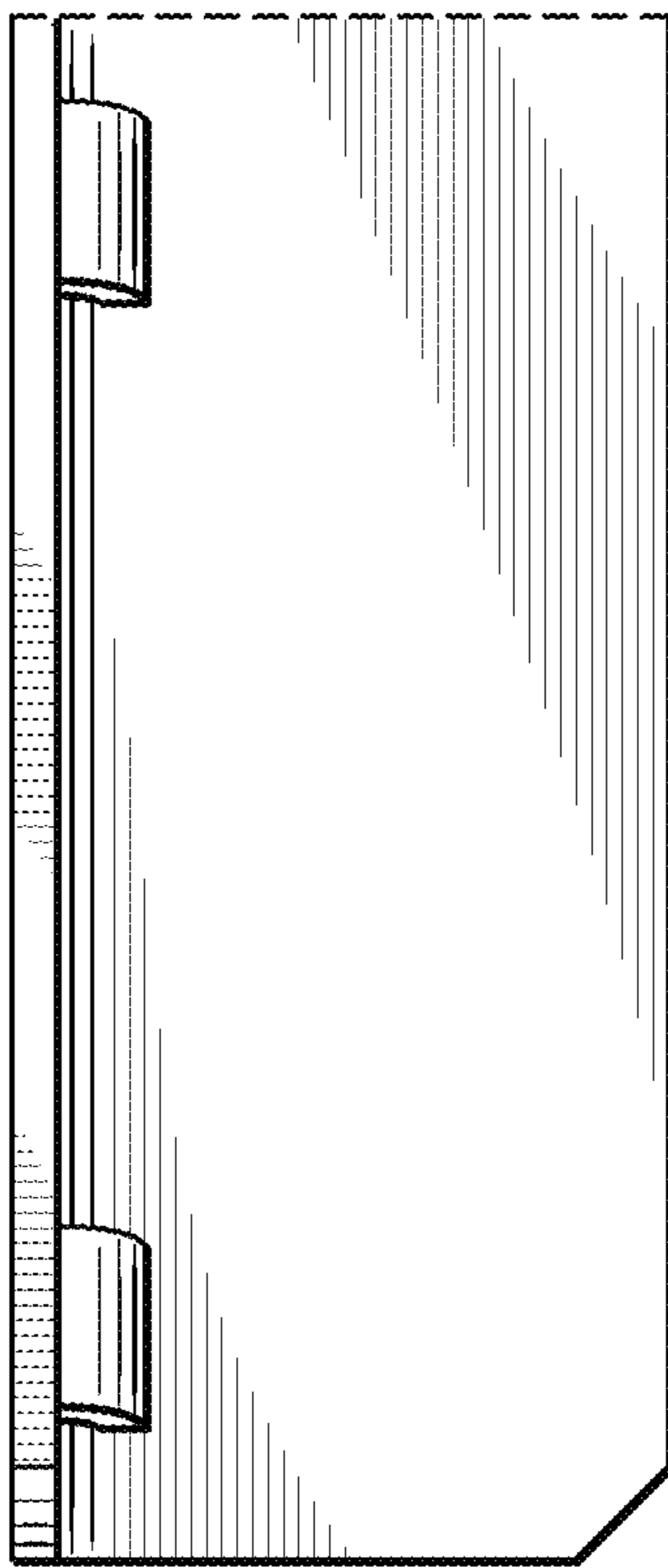


FIG. 9

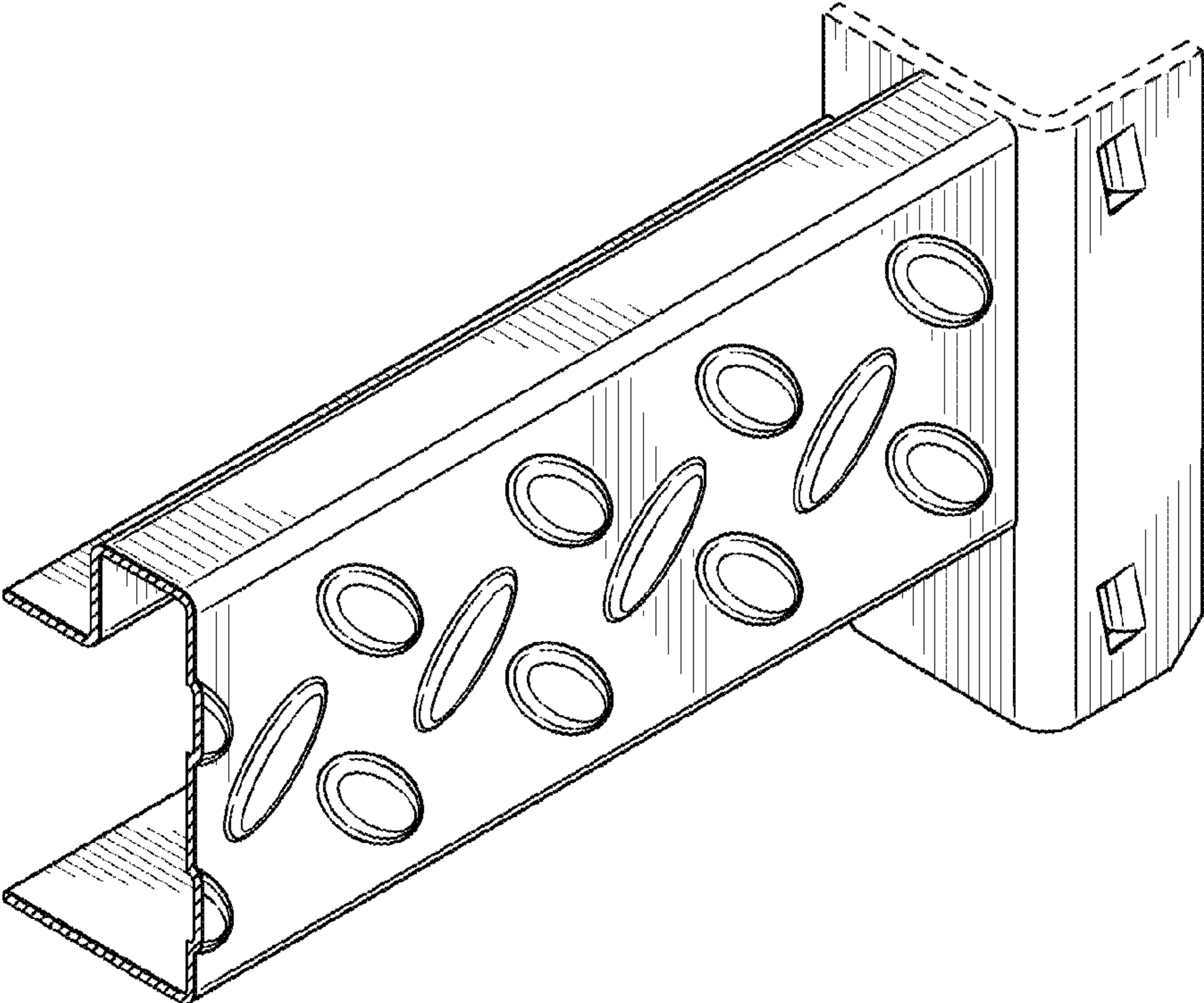


FIG. 10

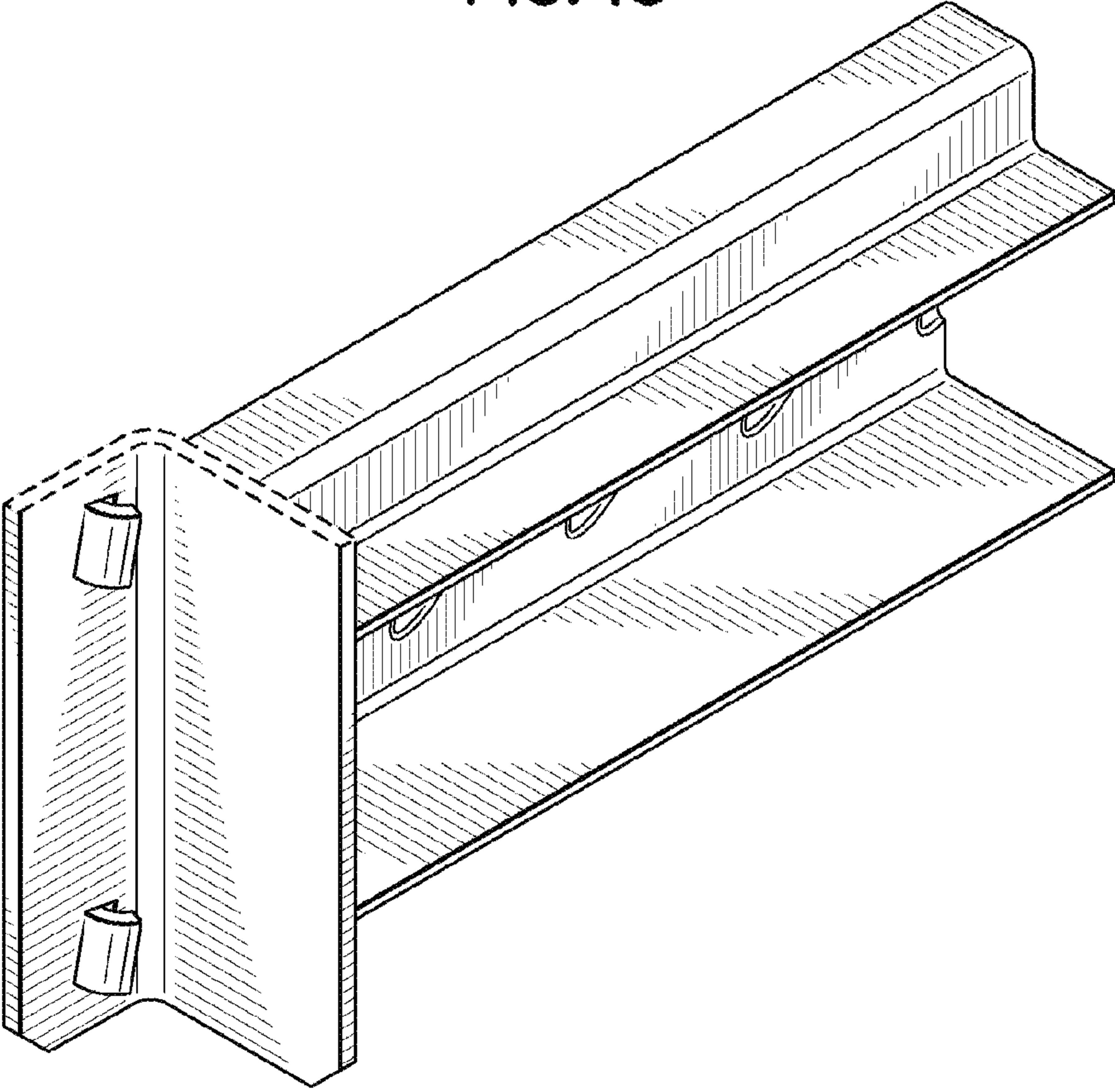


FIG. 11