



US00D738650S

(12) **United States Design Patent**
Tonetti

(10) **Patent No.:** **US D738,650 S**

(45) **Date of Patent:** **** Sep. 15, 2015**

(54) **TABLE**

(71) Applicant: **Joseph Lawrence Tonetti**, Palisades,
NY (US)

(72) Inventor: **Joseph Lawrence Tonetti**, Palisades,
NY (US)

(**) Term: **14 Years**

(21) Appl. No.: **29/488,277**

(22) Filed: **Apr. 17, 2014**

(51) **LOC (10) Cl.** **06-03**

(52) **U.S. Cl.**
USPC **D6/691; D6/647**

(58) **Field of Classification Search**
USPC D6/691, 691.1, 691.3, 691.5, 691.8,
D6/691.9, 647
CPC A47B 7/00; A47B 13/00; A47B 13/02;
A47B 13/04; A47B 13/06; A47B 2200/11;
A47B 91/00; A47B 91/005; A47B 13/08;
A47B 13/088; A47B 2200/001

See application file for complete search history.

(56) **References Cited**

U.S. PATENT DOCUMENTS

D263,524 S * 3/1982 Hanson D6/691.1
D469,633 S * 2/2003 Hirsch D6/691
D661,127 S * 6/2012 Arko et al. D6/691

* cited by examiner

Primary Examiner — Janice Seeger

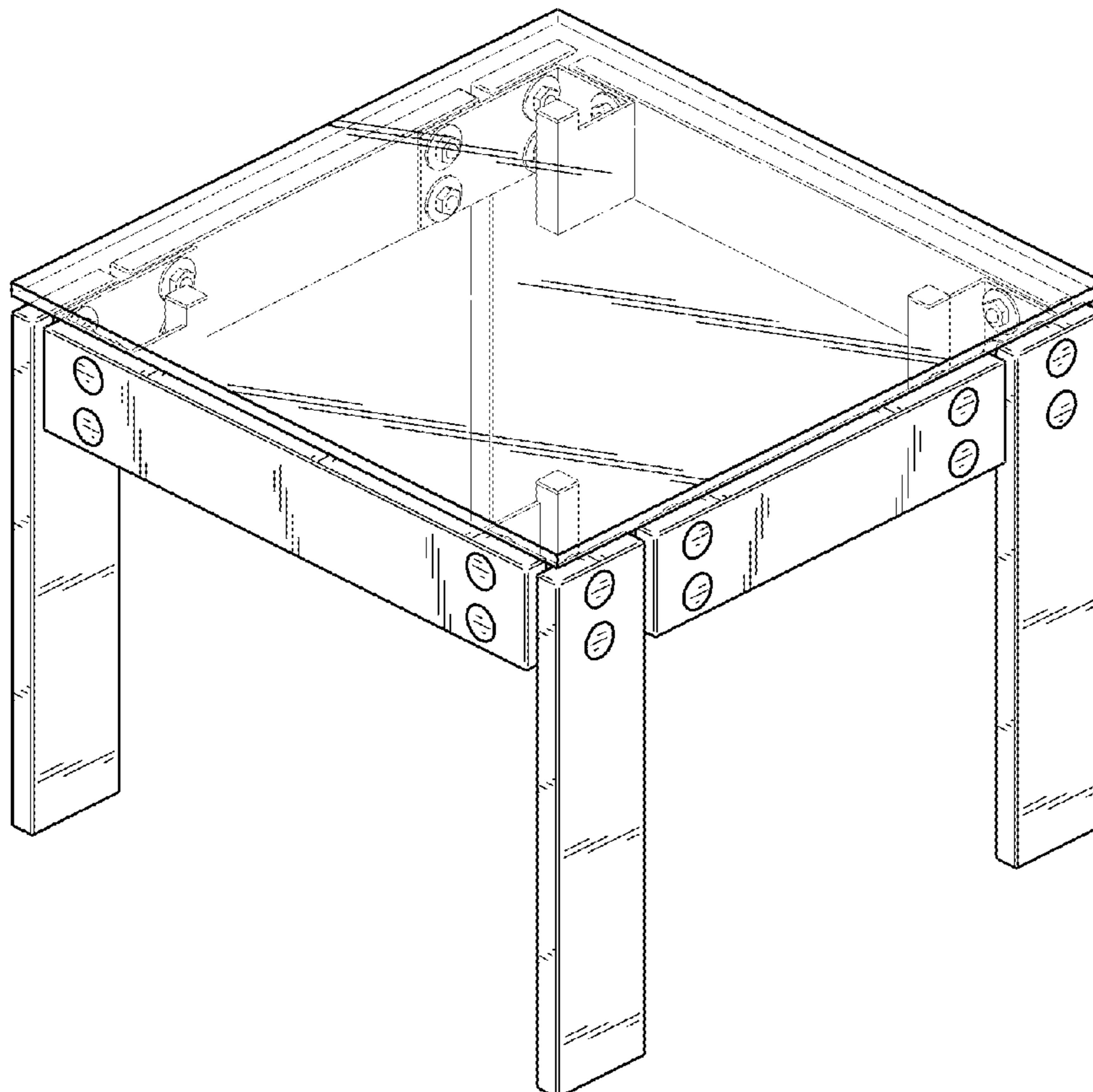
(57) **CLAIM**

The ornamental design for a table, as shown and described.

DESCRIPTION

FIG. 1 is a perspective front view of a table;
FIG. 2 is a front elevation view of the table, the rear elevation
view is a mirror image thereof;
FIG. 3 is a left side elevation view of the table, the right side
view is a mirror image thereof;
FIG. 4 is a top plan view of the table; and,
FIG. 5 is a bottom plan view of the table.

1 Claim, 3 Drawing Sheets



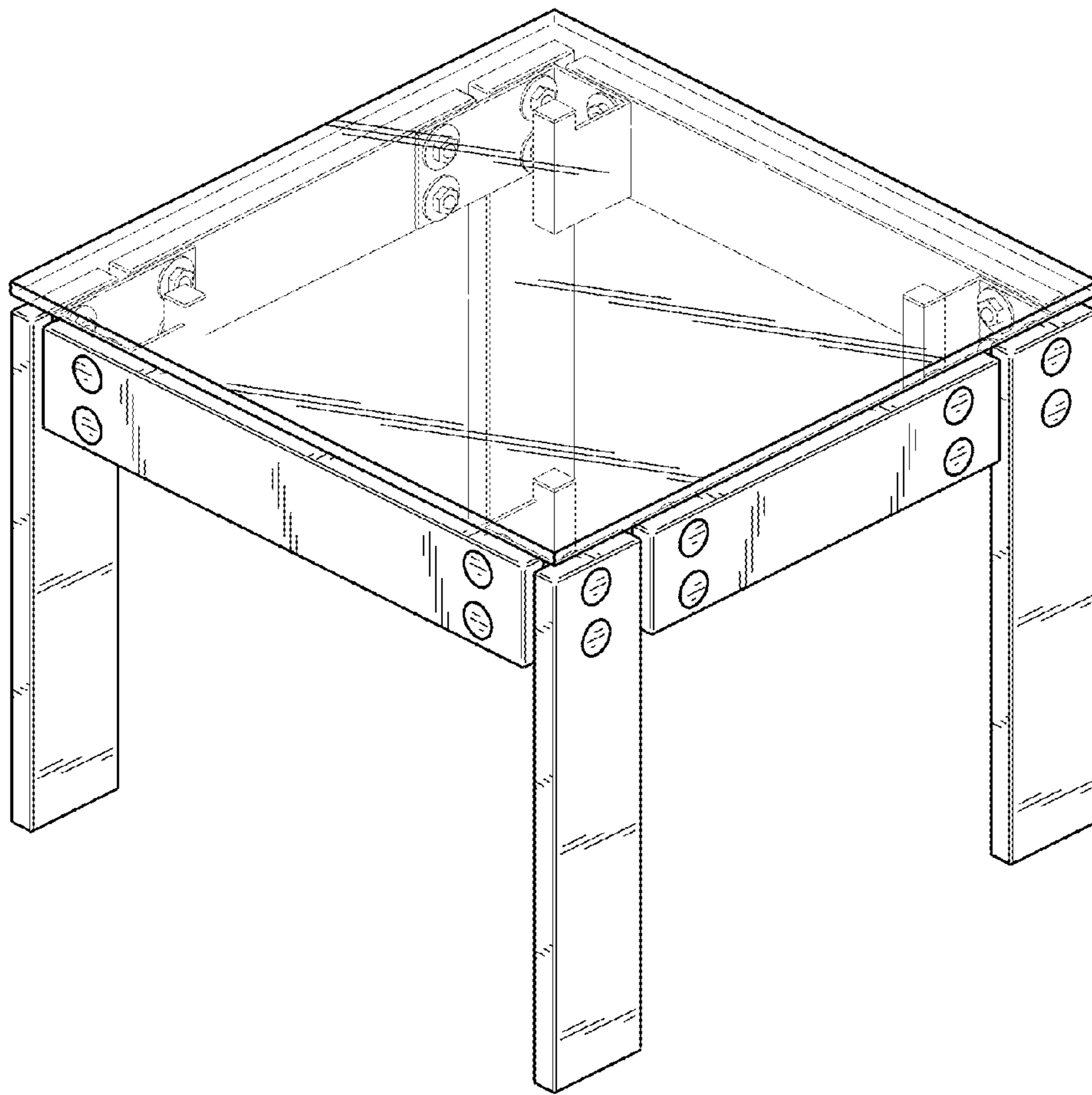


FIG. 1

FIG. 2

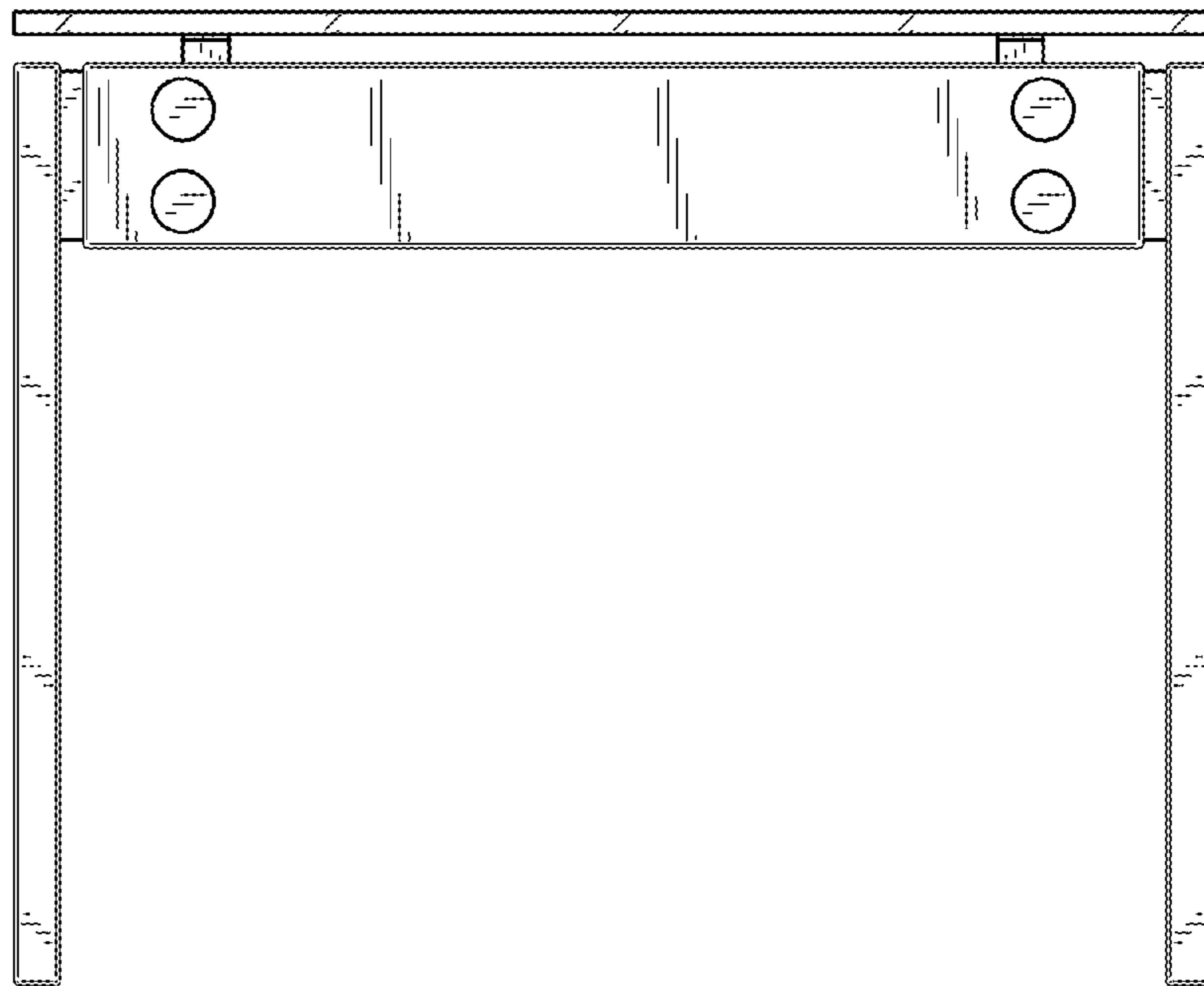


FIG. 3

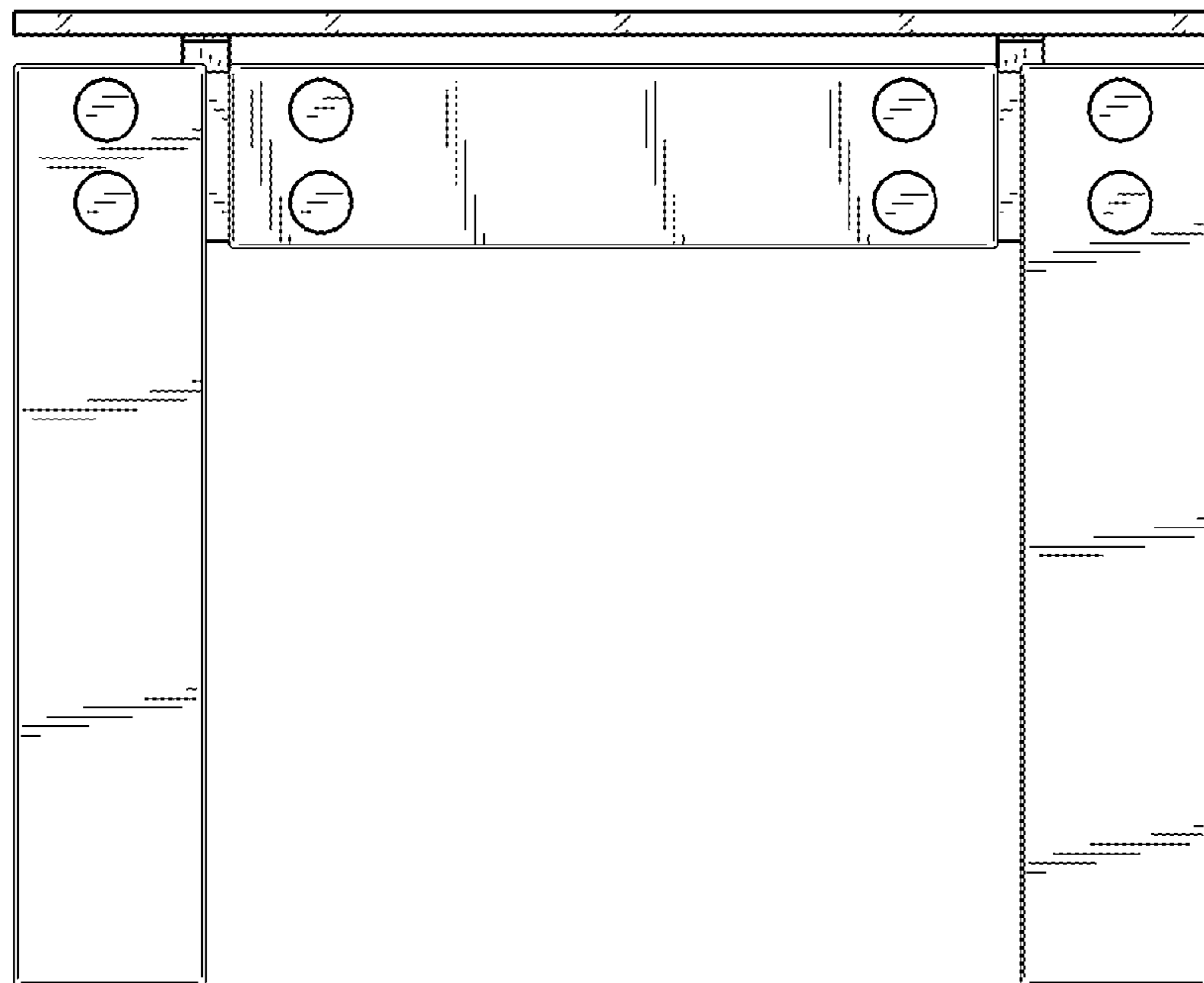


FIG. 4

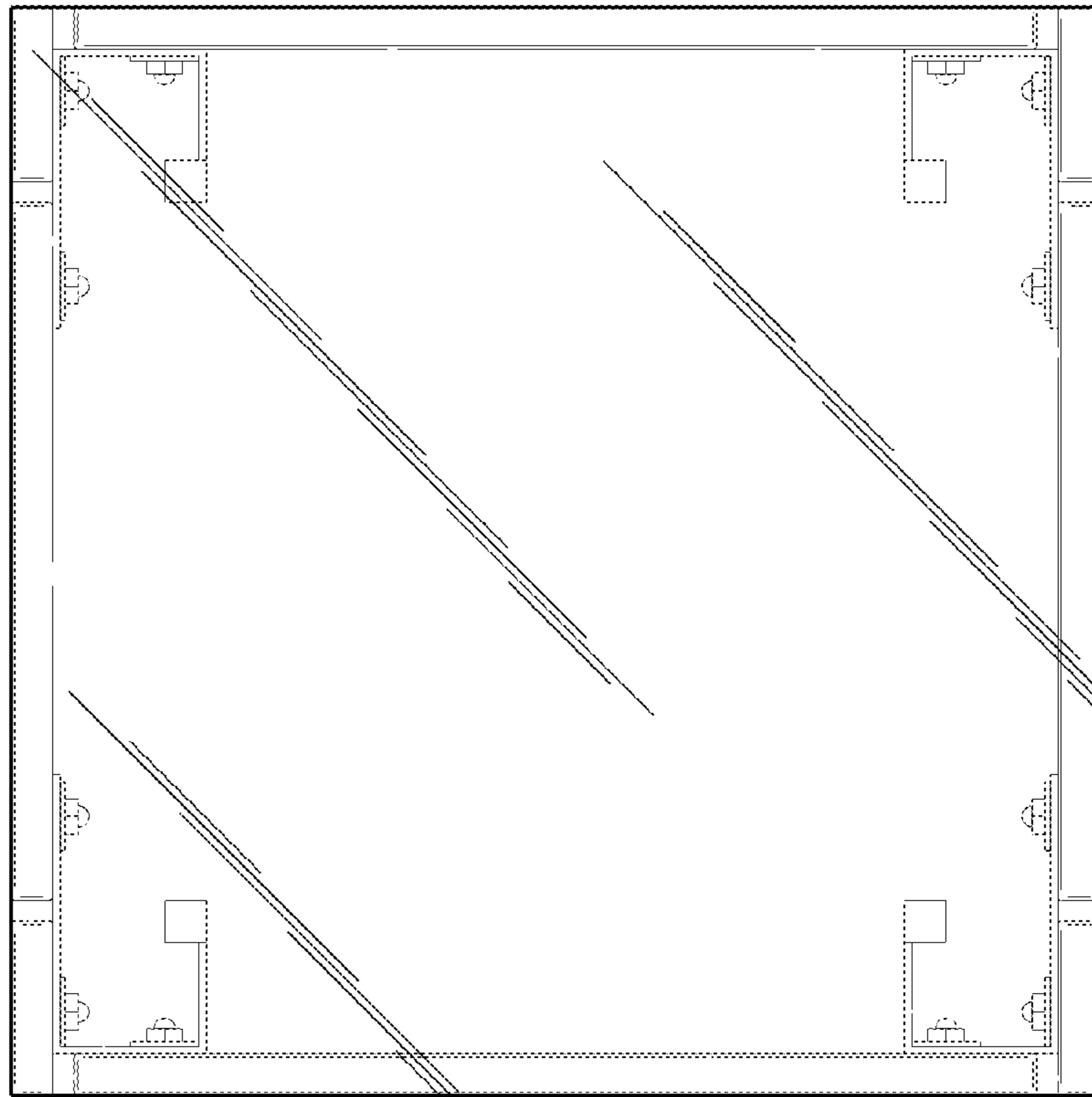


FIG. 5

