

US00D738646S

(12) **United States Design Patent**  
**Baker**

(10) **Patent No.:** **US D738,646 S**

(45) **Date of Patent:** **\*\* Sep. 15, 2015**

(54) **FURNITURE PIECE**

(71) Applicant: **Jeff Baker**, Jersey City, NJ (US)

(72) Inventor: **Jeff Baker**, Jersey City, NJ (US)

(73) Assignee: **Jeff Baker**, Jersey City, NJ (US)

(\*\*) Term: **14 Years**

(21) Appl. No.: **29/486,341**

(22) Filed: **Mar. 28, 2014**

(51) **LOC (10) Cl.** ..... **06-03**

(52) **U.S. Cl.**  
USPC ..... **D6/655.1; D6/655.17**

(58) **Field of Classification Search**  
USPC ..... D6/655, 655.18, 655.21, 655.1, 655.17  
CPC ..... A47B 21/00; A47B 17/00; A47B 17/003;  
A47B 17/006; A47B 27/00; A47B 27/02;  
A47B 27/14; A47B 2009/003; A47B 21/03;  
A47B 2021/03; A47B 2021/0321  
See application file for complete search history.

(56) **References Cited**

**U.S. PATENT DOCUMENTS**

D251,167 S \* 2/1979 Isles ..... D6/656.16  
D258,788 S \* 4/1981 Verdesca ..... D6/655

D287,319 S \* 12/1986 Ugalde ..... D6/653.1  
D313,517 S \* 1/1991 Ugalde ..... D6/655.1  
D401,439 S \* 11/1998 Maguire et al. .... D6/655.1  
D407,233 S \* 3/1999 Naas et al. .... D6/655.1  
D450,903 S \* 11/2001 Wacker et al. .... D34/20

\* cited by examiner

*Primary Examiner* — Janice Seeger

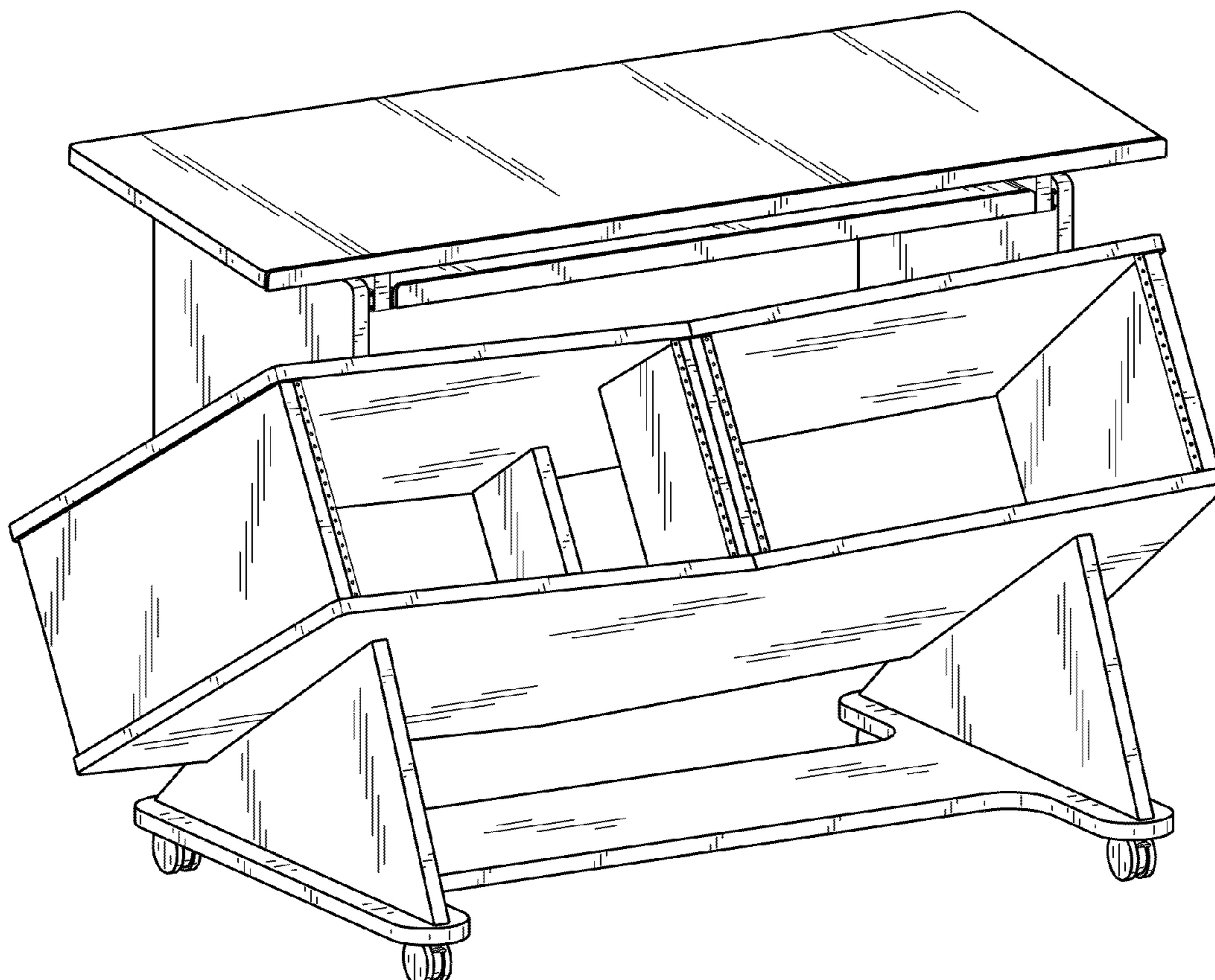
(57) **CLAIM**

The ornamental design for a furniture piece, as shown and described.

**DESCRIPTION**

FIG. 1 is a perspective front view of a furniture piece;  
FIG. 2 is a front elevation view of the furniture piece;  
FIG. 3 is a rear elevation view of the furniture piece;  
FIG. 4 is a left side elevation view of the furniture piece, the  
right side elevation view is a mirror image thereof;  
FIG. 5 is a top plan view of the furniture piece;  
FIG. 6 is a bottom plan view of the furniture piece; and,  
FIG. 7 is a left side elevation view of the furniture piece in an  
open configuration.  
Portions in the drawings shown in dashed lines do not form  
part of the claimed invention.

**1 Claim, 5 Drawing Sheets**



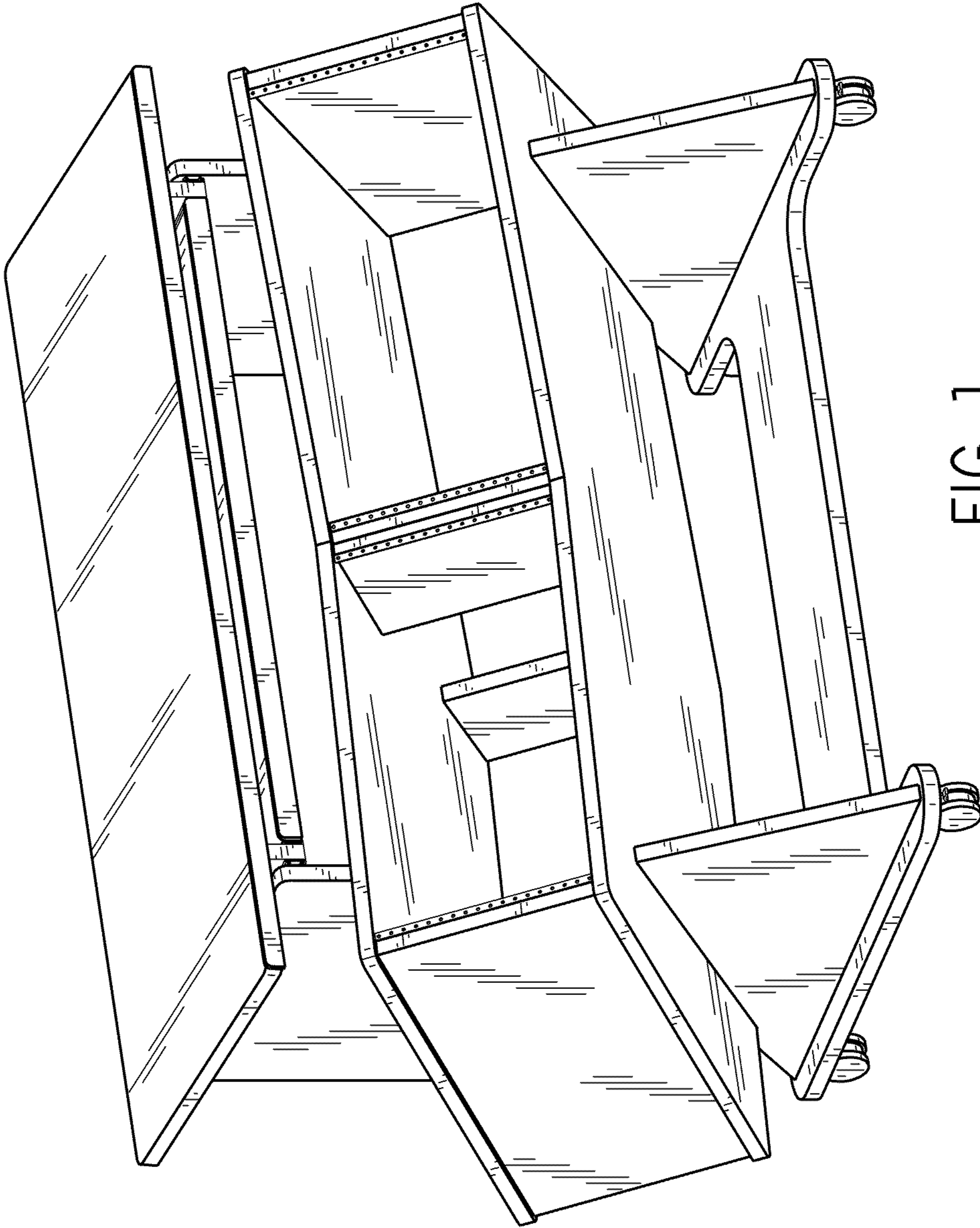


FIG. 1

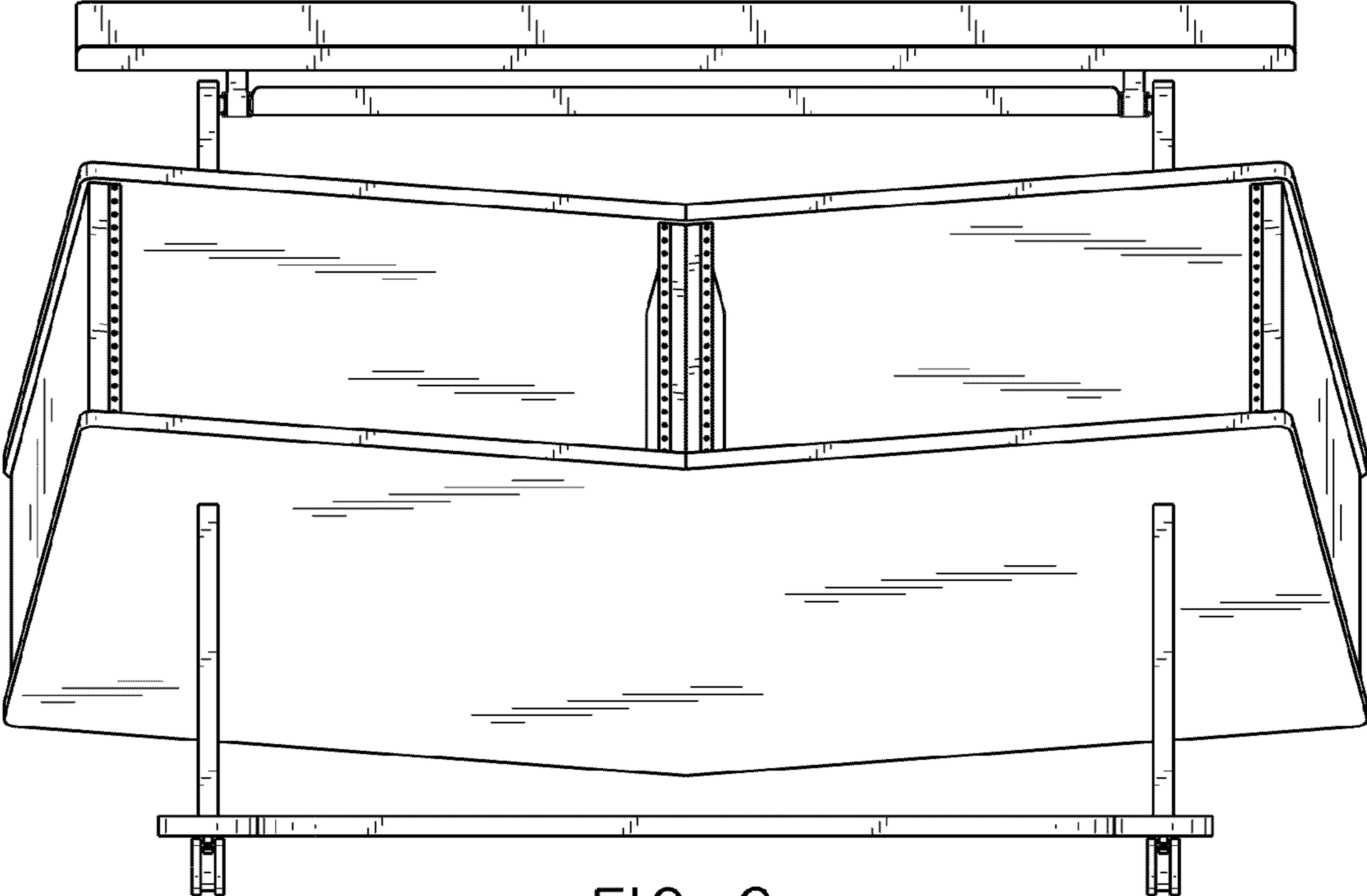


FIG. 2

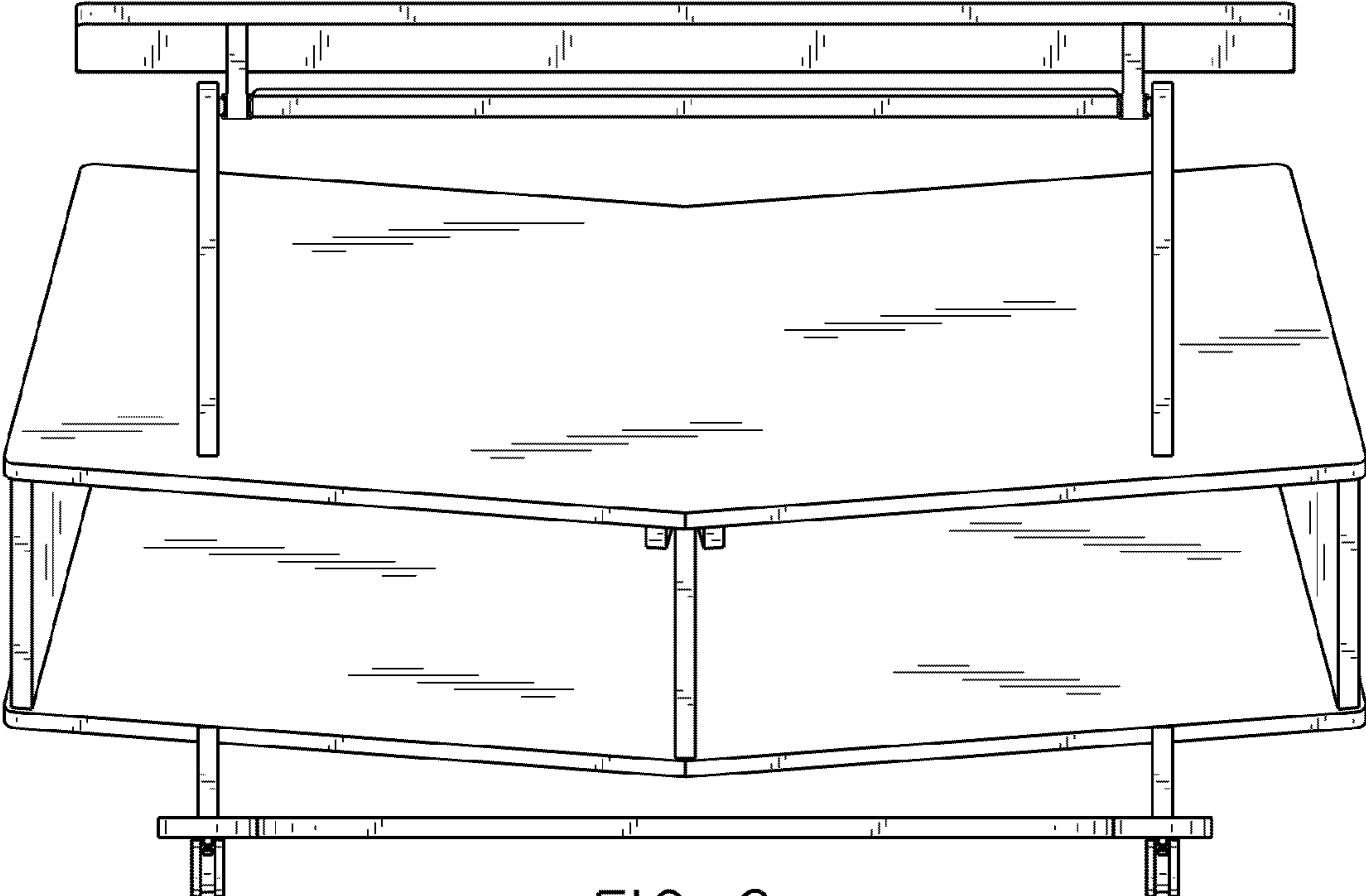


FIG. 3

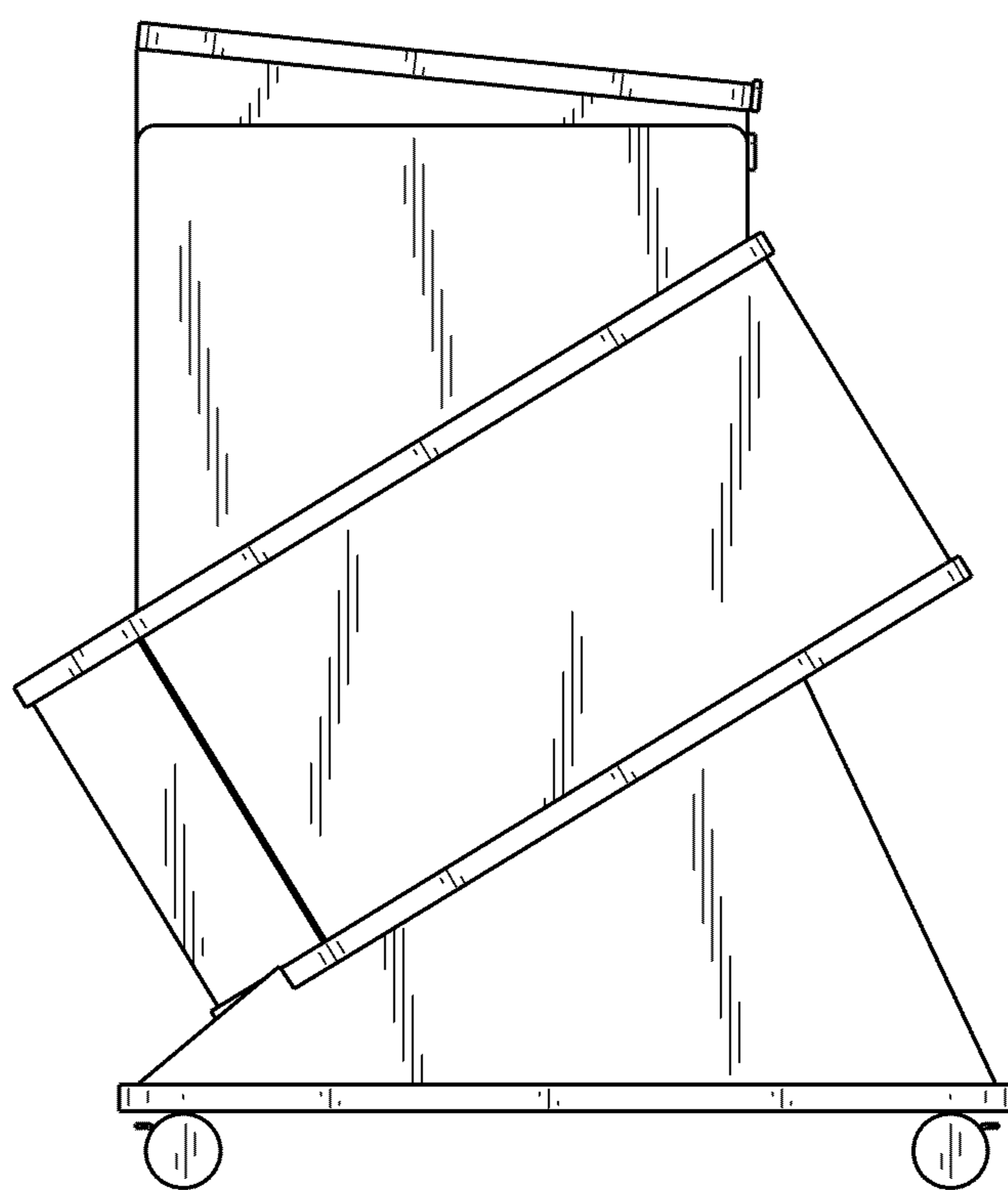
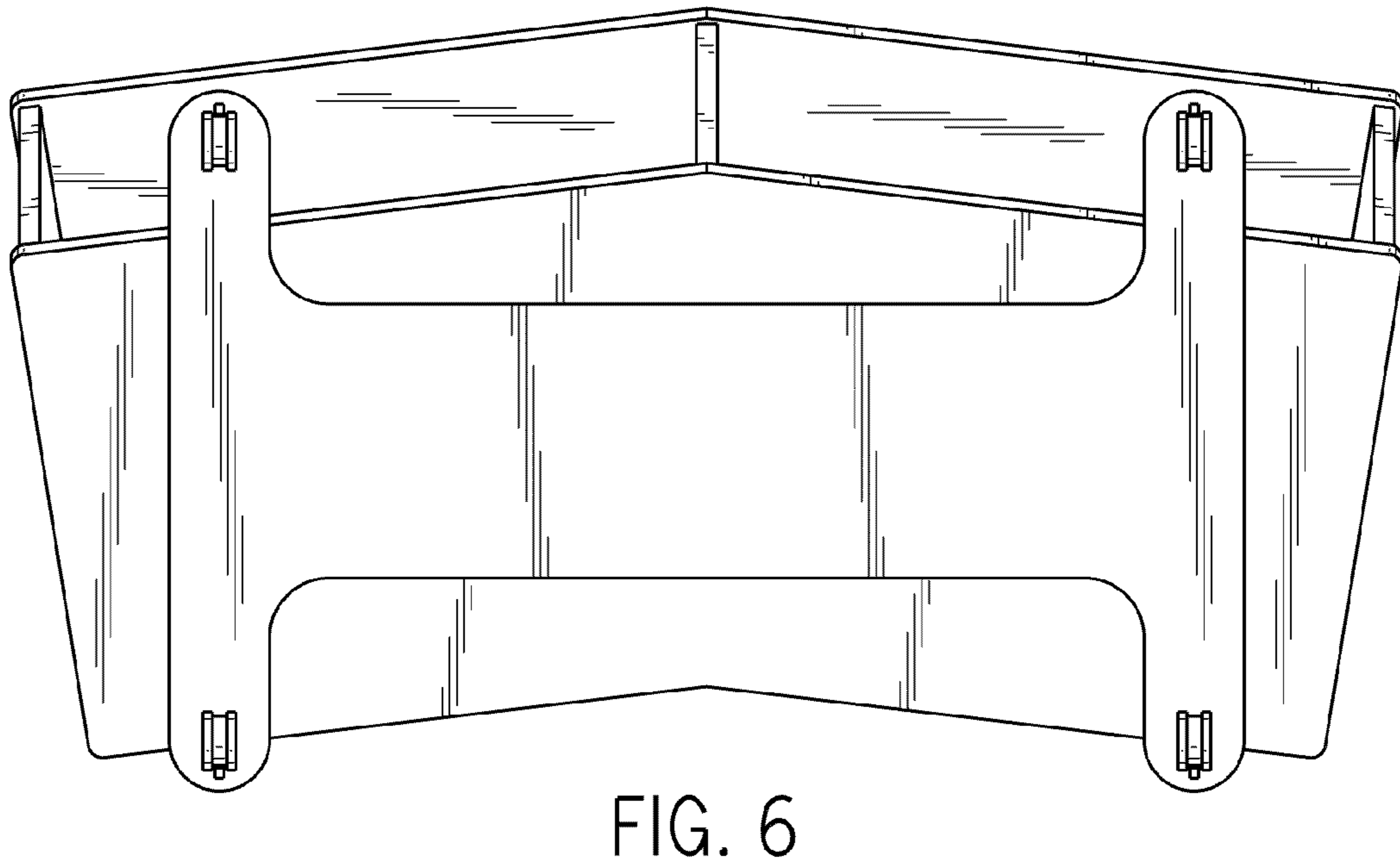
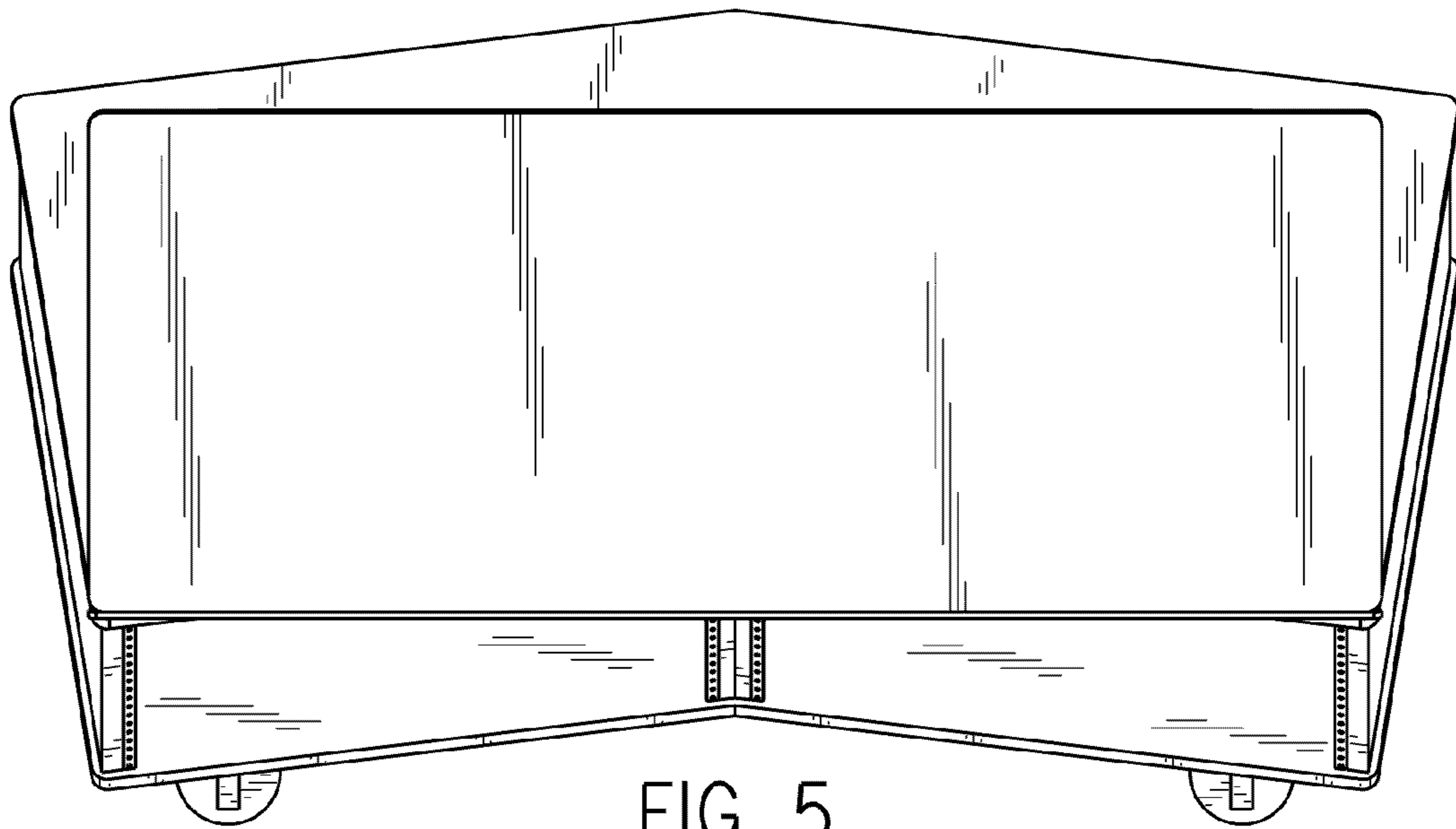


FIG. 4



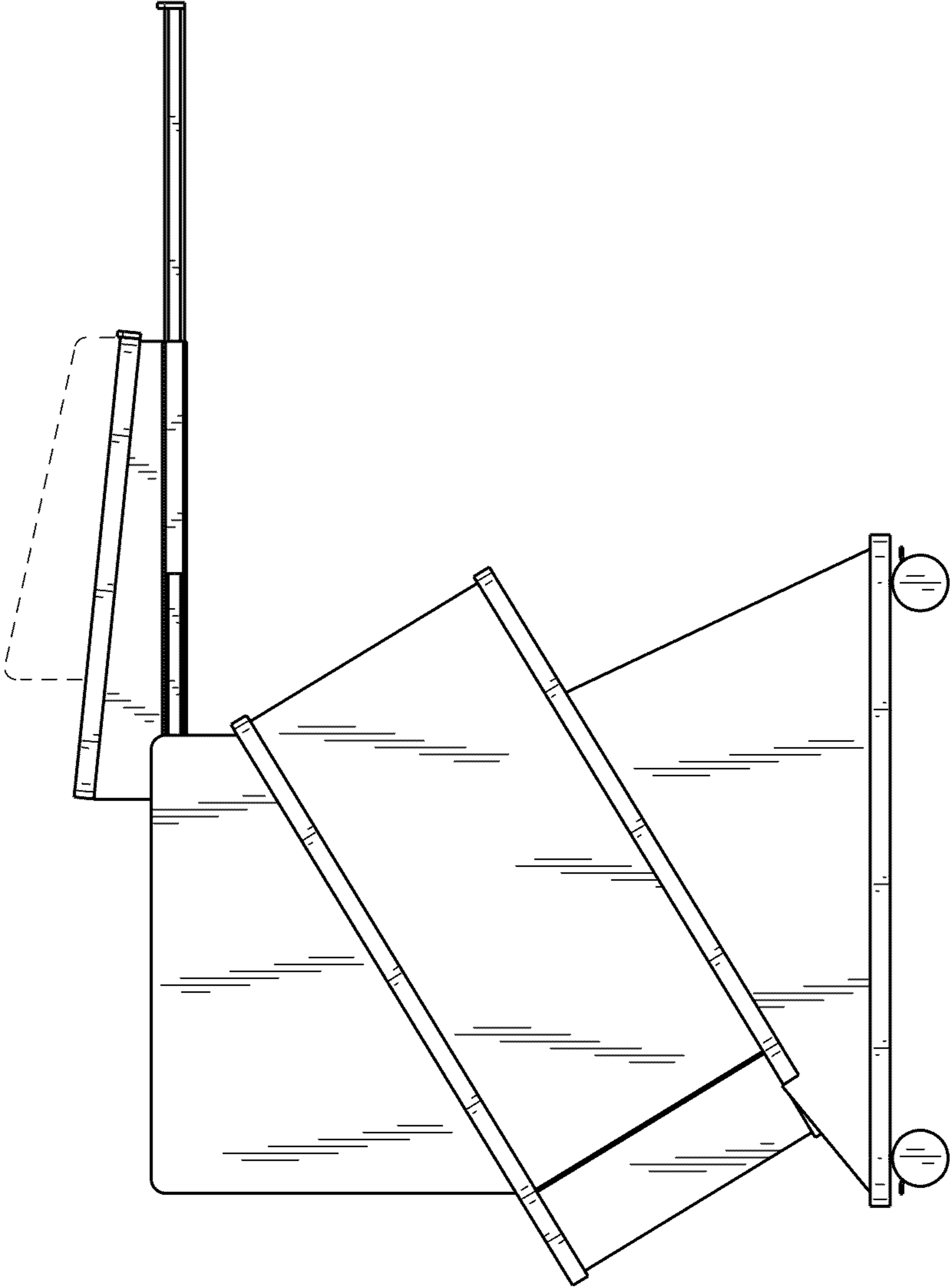


FIG. 7