



US00D738641S

(12) **United States Design Patent**
Adair et al.

(10) **Patent No.:** **US D738,641 S**

(45) **Date of Patent:** **** Sep. 15, 2015**

- (54) **SOFA**
- (71) Applicant: **Ashley Furniture Industries, Inc.**,
Arcadia, WI (US)
- (72) Inventors: **Lisa Adair**, New Albany, MS (US);
Christie Lamb, Saltillo, MS (US)
- (73) Assignee: **ASHLEY FURNITURE**
INDUSTRIES, INC., Arcadia, WI (US)
- (**) Term: **14 Years**
- (21) Appl. No.: **29/470,295**
- (22) Filed: **Oct. 18, 2013**
- (51) **LOC (10) Cl.** **06-01**
- (52) **U.S. Cl.**
USPC **D6/381**
- (58) **Field of Classification Search**
USPC D6/334, 335, 336, 379, 381, 369;
297/94, 118, 232, 445.1, 448.1, DIG. 7
CPC A47C 17/00; A47C 17/02; A47C 17/12;
A47C 17/18; A47C 7/021; A47C 31/00;
A47C 3/16
See application file for complete search history.

- D590,171 S * 4/2009 Natuzzi D6/381
- D592,877 S * 5/2009 Natuzzi D6/381
- D592,881 S * 5/2009 Natuzzi D6/381
- D614,884 S * 5/2010 Metcalf et al. D6/381
- D659,412 S * 5/2012 Arko et al. D6/334
- D662,337 S * 6/2012 Arko et al. D6/492
- D677,489 S * 3/2013 Digirolamo D6/381
- D677,492 S * 3/2013 Lauriero D6/381

* cited by examiner

Primary Examiner — Sandra Snapp

(74) *Attorney, Agent, or Firm* — McAndrews Held & Malloy, Ltd.

(57) **CLAIM**

The ornamental design for a sofa, as shown and described.

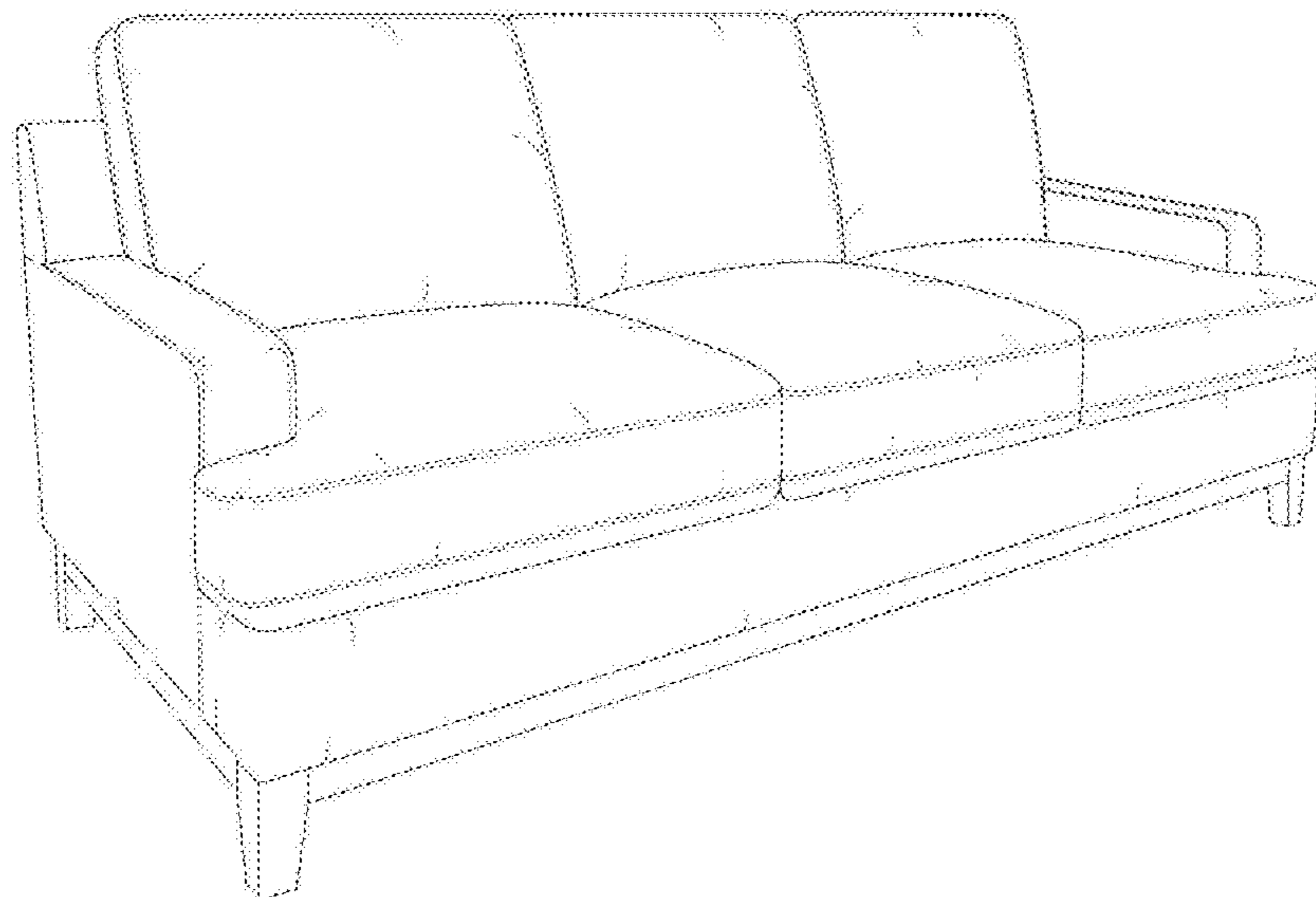
DESCRIPTION

FIG. 1 is a front perspective view of a first embodiment of a sofa showing our new design;
 FIG. 2 is a front elevation view thereof;
 FIG. 3 is a left side elevation view thereof;
 FIG. 4 is a right side elevation view thereof;
 FIG. 5 is a front perspective view of a second embodiment of a sofa showing our new design;
 FIG. 6 is a front elevation view thereof;
 FIG. 7 is a left side elevation view thereof; and,
 FIG. 8 is a right side elevation view thereof.
 Views of the sofa not shown in the figures form no part of the claimed design.
 The brackets and broken lines in FIGS. 5-8 form no part of the claimed design and indicate that the sofa design also includes a love seat.

1 Claim, 8 Drawing Sheets

(56) **References Cited**
 U.S. PATENT DOCUMENTS

- D424,316 S * 5/2000 Natuzzi et al. D6/381
- D495,157 S * 8/2004 Nastri D6/381
- D495,892 S * 9/2004 Ricci D6/381
- D551,463 S * 9/2007 Natuzzi D6/381
- D555,931 S * 11/2007 Natuzzi D6/381
- D570,129 S * 6/2008 Natuzzi D6/381
- D577,222 S * 9/2008 Natuzzi D6/381



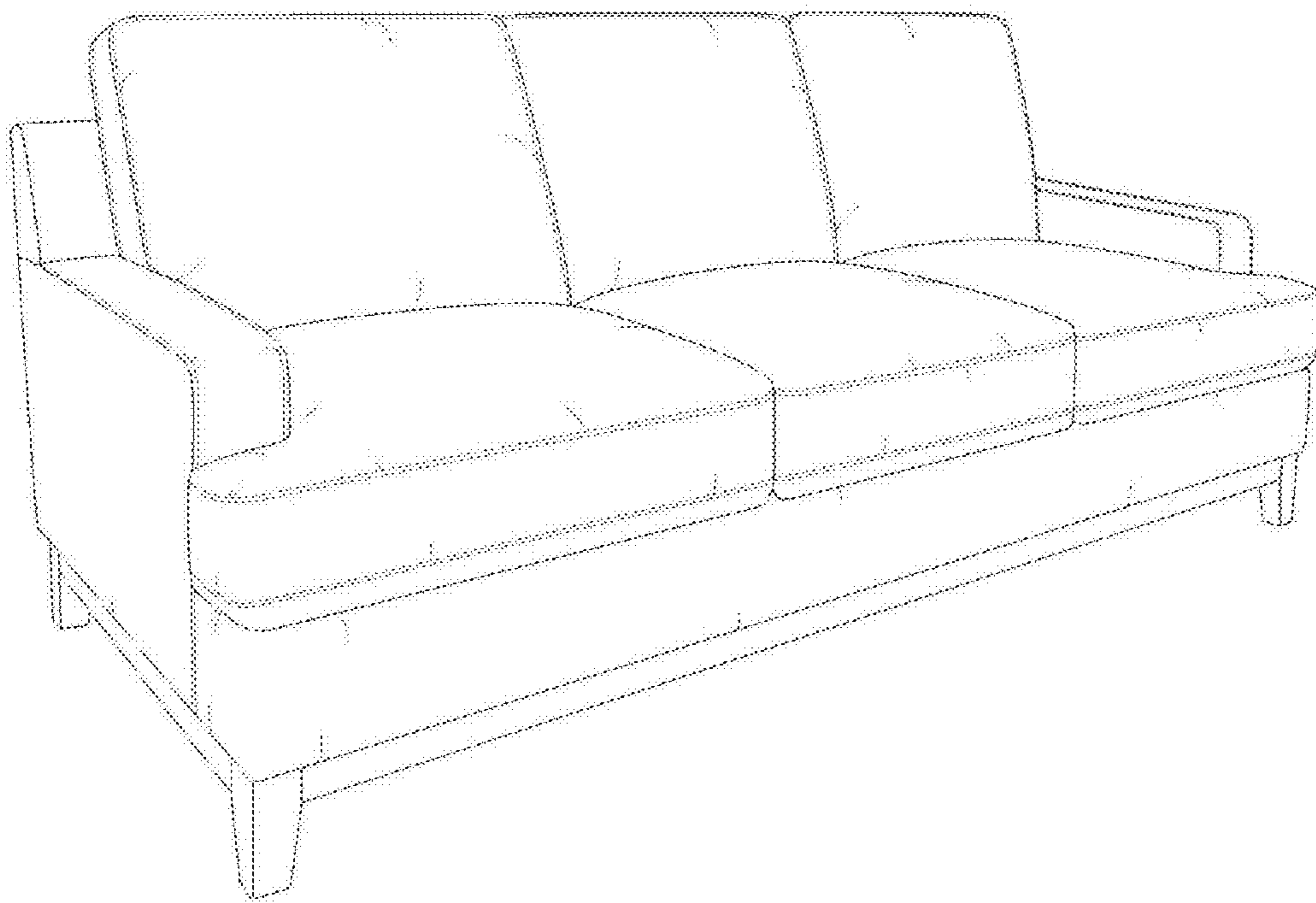


Figure 1

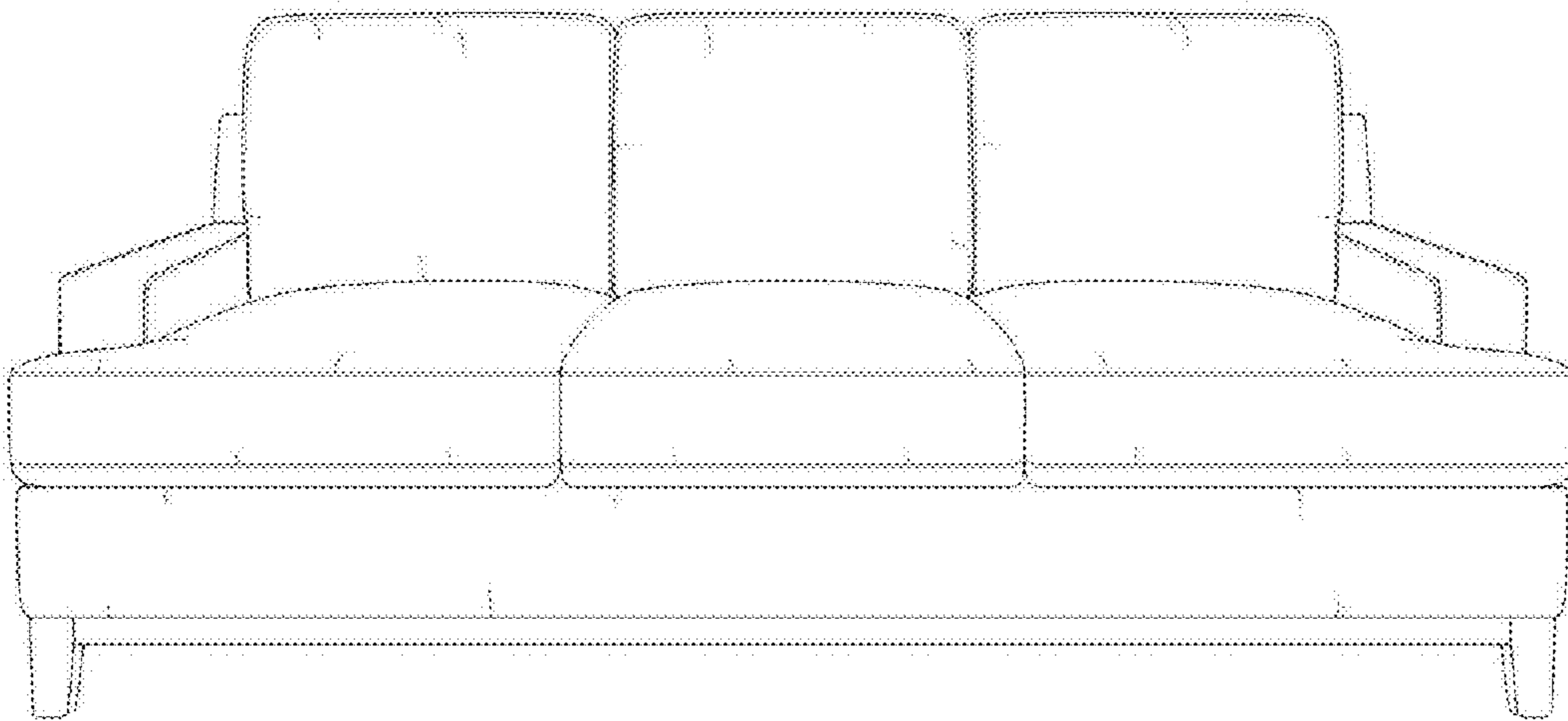


Figure 2

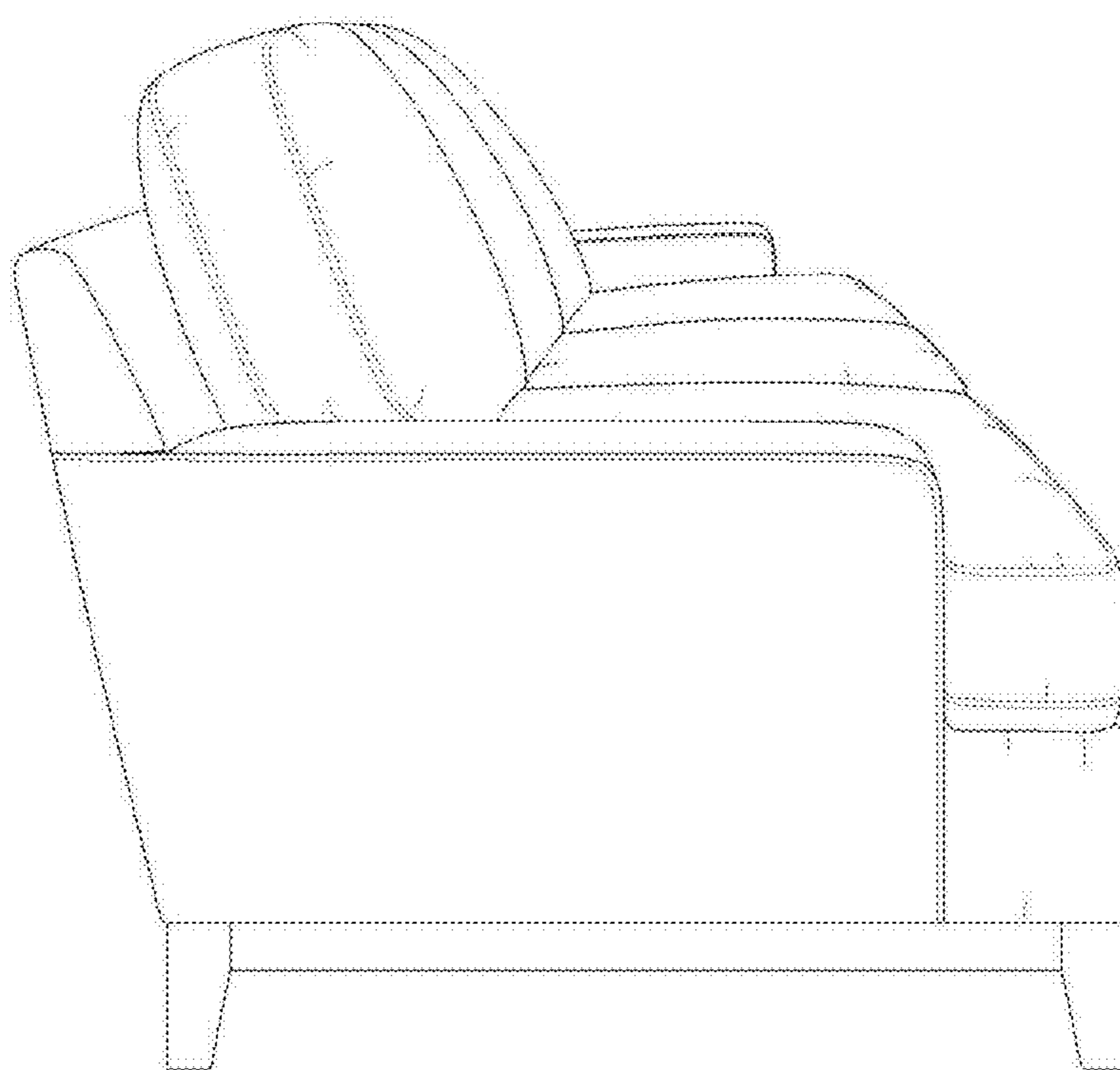


Figure 3

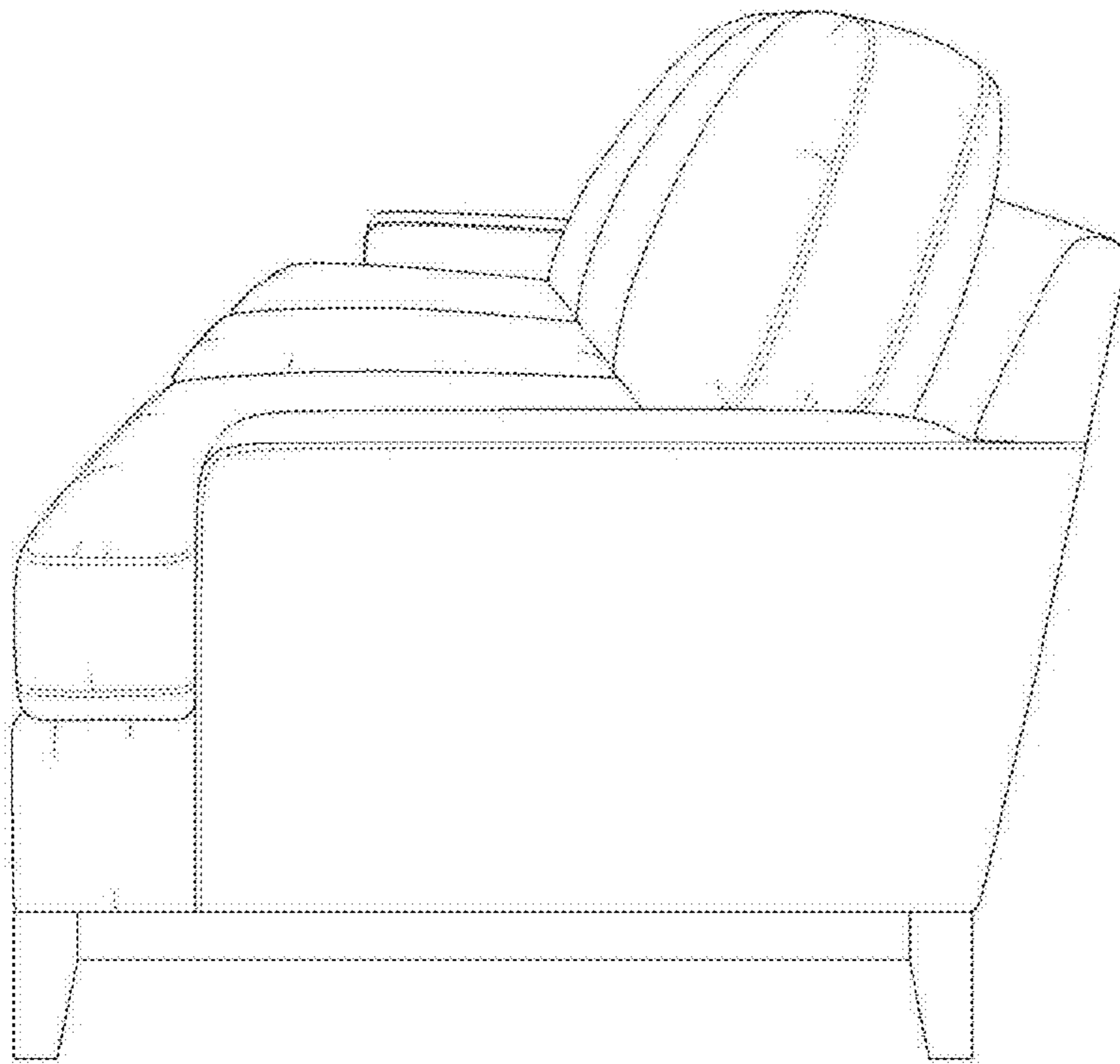


Figure 4

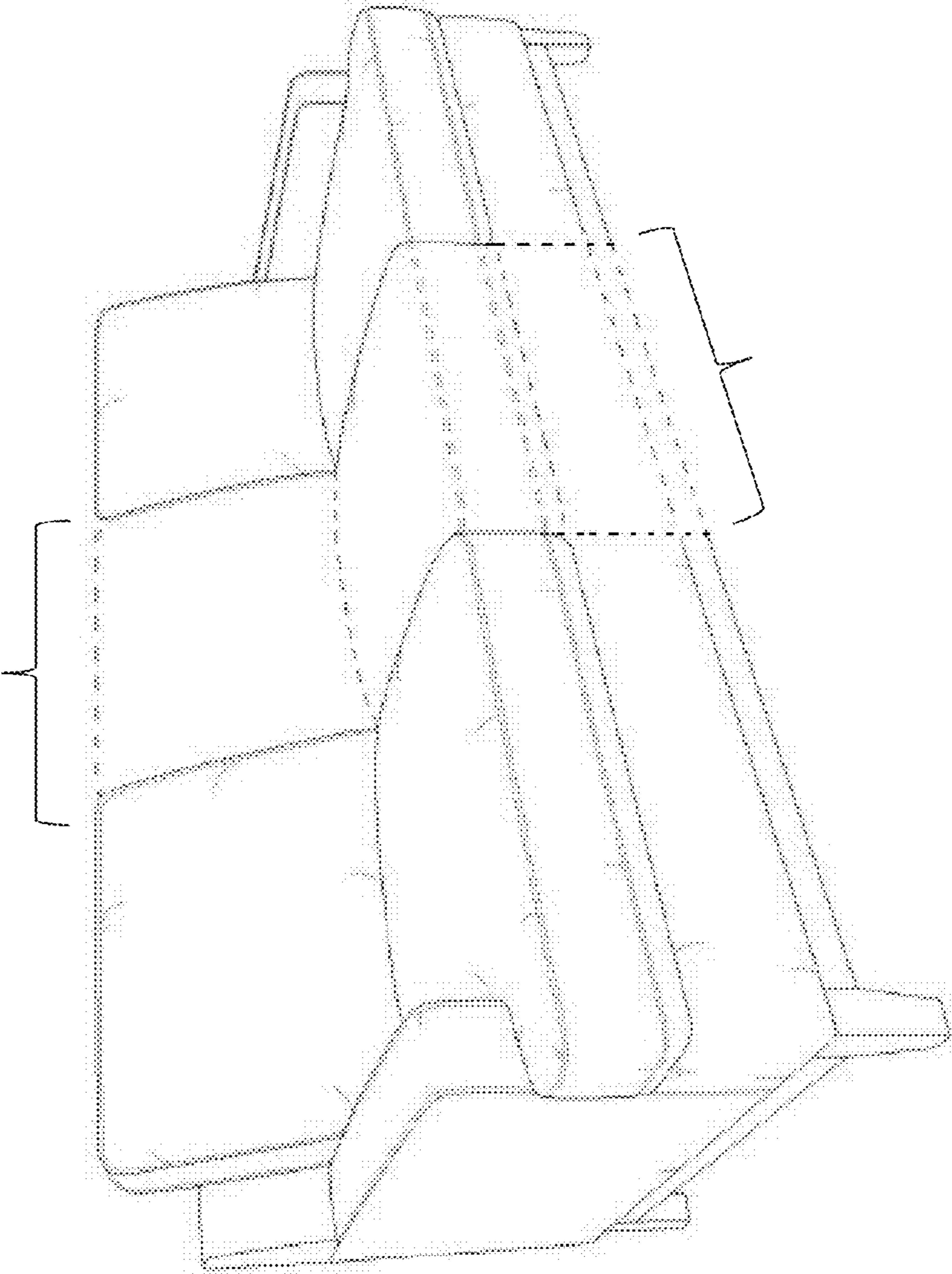


Figure 5

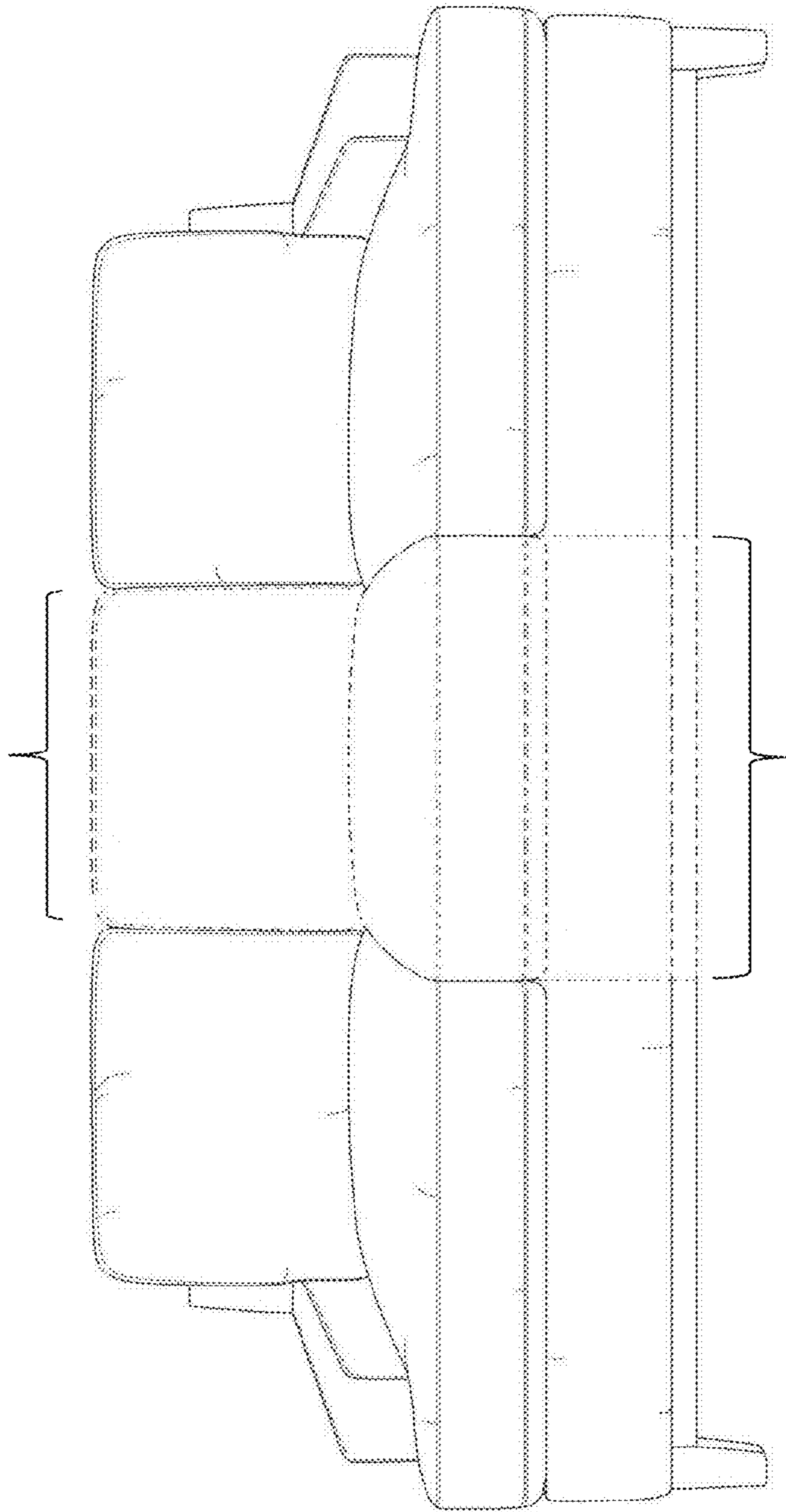


Figure 6

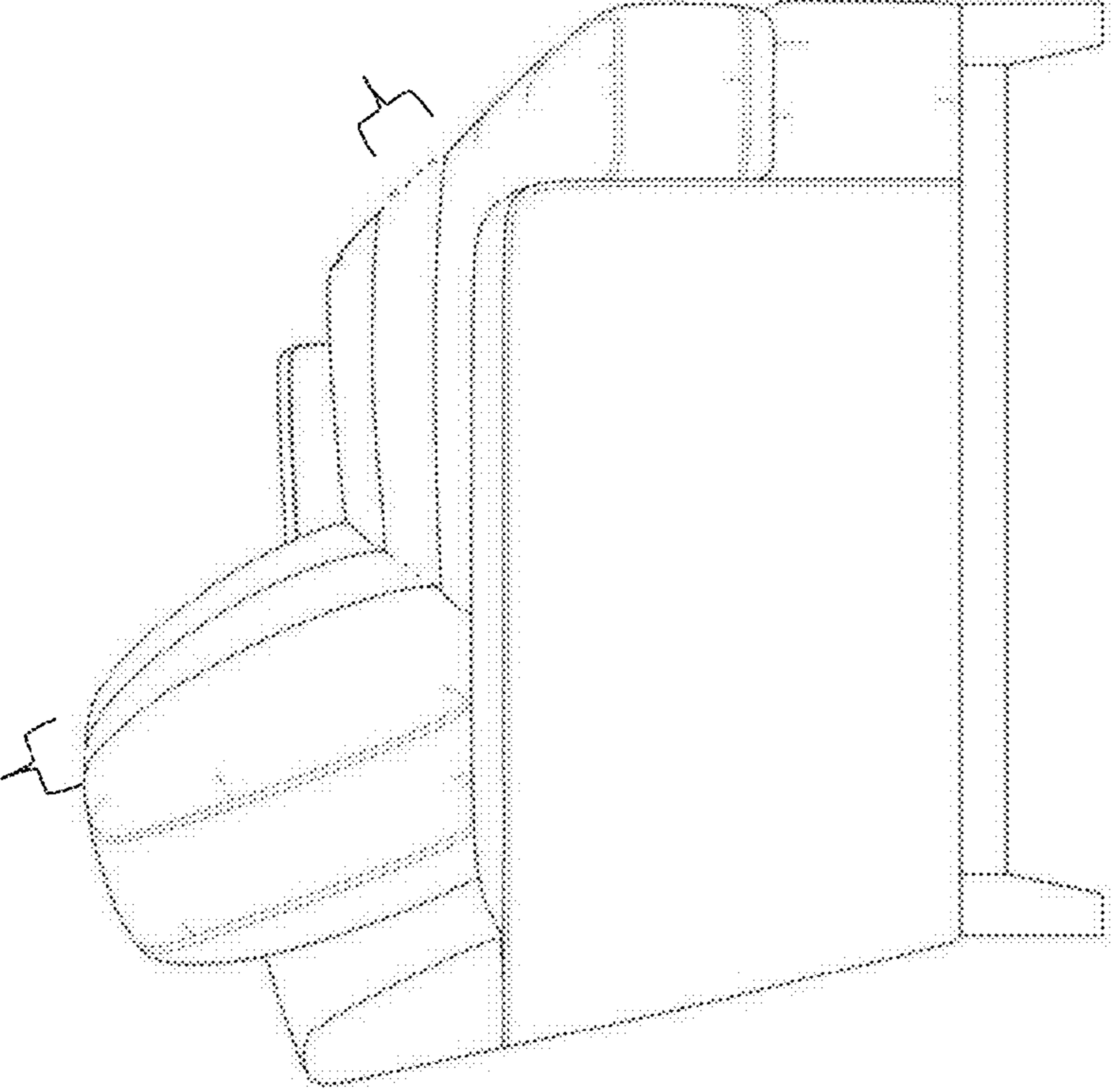


Figure 7

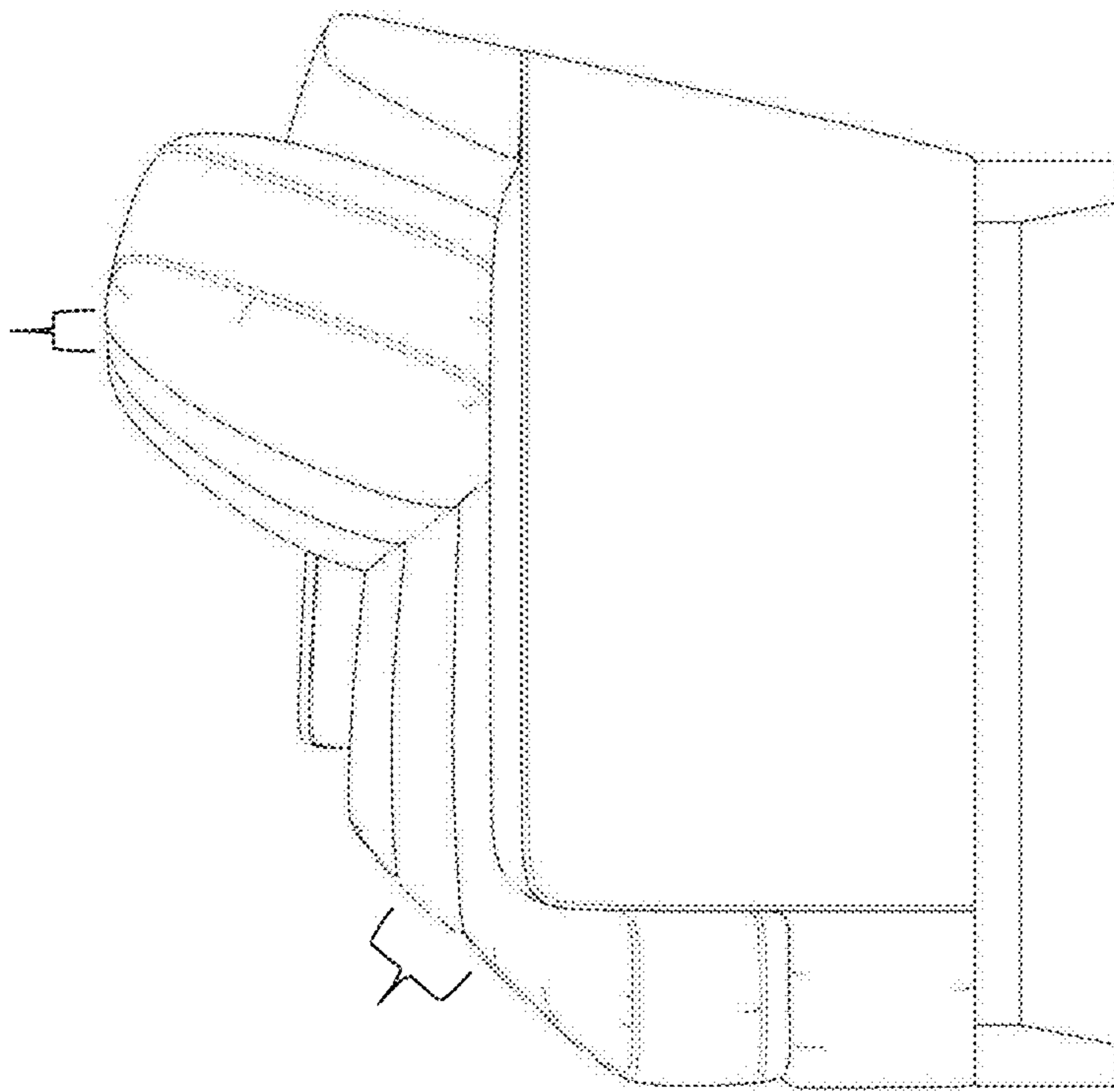


Figure 8