



US00D738639S

(12) **United States Design Patent**
LaMarr

(10) **Patent No.:** **US D738,639 S**
(45) **Date of Patent:** **** Sep. 15, 2015**

(54) **SEATING**
(71) Applicant: **KDL DESIGNS, LLC**, Keller, TX (US)
(72) Inventor: **Kristen LaMarr**, Keller, TX (US)
(73) Assignee: **Kristen D. LaMarr**, Krum, TX (US)
(**) Term: **14 Years**

D226,793 S *	5/1973	Watamura	D6/364
D229,254 S *	11/1973	Reineman	D6/364
D264,898 S *	6/1982	Baker et al.	D6/364
D287,551 S *	1/1987	Lewis	D6/334
D547,564 S *	7/2007	Boutin	D6/381
D585,212 S *	1/2009	Paulin	D6/381
D610,365 S *	2/2010	Young-il et al.	D6/375
D644,448 S *	9/2011	Li	D6/375
D679,918 S *	4/2013	Souhlas	D6/381

* cited by examiner

(21) Appl. No.: **29/488,559**

Primary Examiner — Mimoso De

(22) Filed: **Apr. 21, 2014**

(51) **LOC (10) Cl.** **06-01**

(57) **CLAIM**

The ornamental design for a seating, as shown and described.

(52) **U.S. Cl.**

USPC **D6/364**

(58) **Field of Classification Search**

DESCRIPTION

USPC D6/334–336, 364, 365, 374, 375, 381,
D6/716, 716.1, 716.2, 716.3, 716.4
CPC A47C 1/032; A47C 3/18; A47C 7/004;
A47C 7/022; A47C 7/18; A47C 7/24
See application file for complete search history.

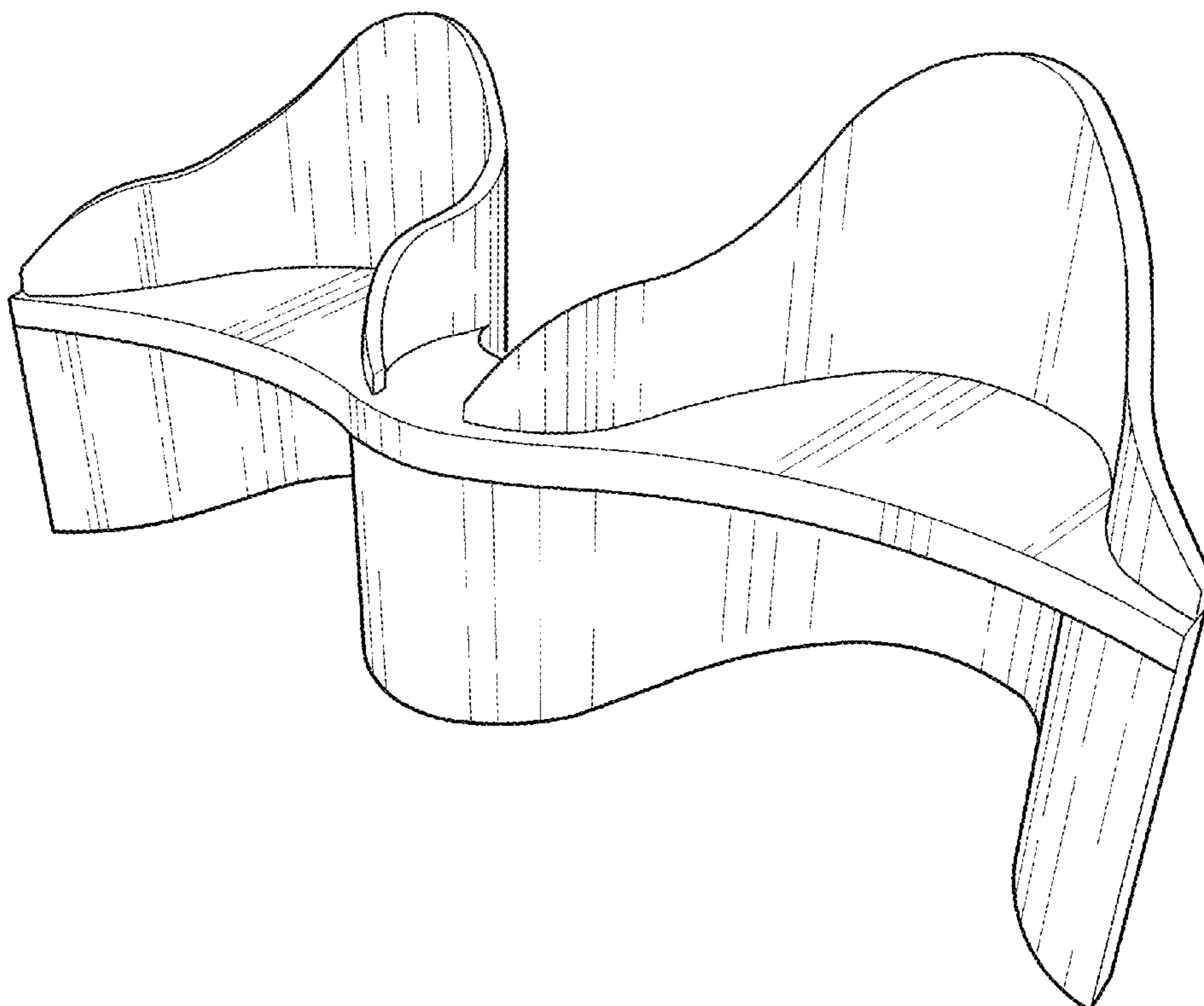
FIG. 1 is a perspective view of a seating in accordance with the invention;
FIG. 2 is a side elevation of the seating shown in FIG. 1;
FIG. 3 is a top plan view of the seating shown in FIG. 1;
FIG. 4 is a front elevation of the seating shown in FIG. 1;
FIG. 5 is a rear elevation of the seating shown in FIG. 1; and,
FIG. 6 is a bottom plan view of the seating shown in FIG. 1.

(56) **References Cited**

U.S. PATENT DOCUMENTS

D211,169 S * 5/1968 Dwyer D6/336

1 Claim, 3 Drawing Sheets



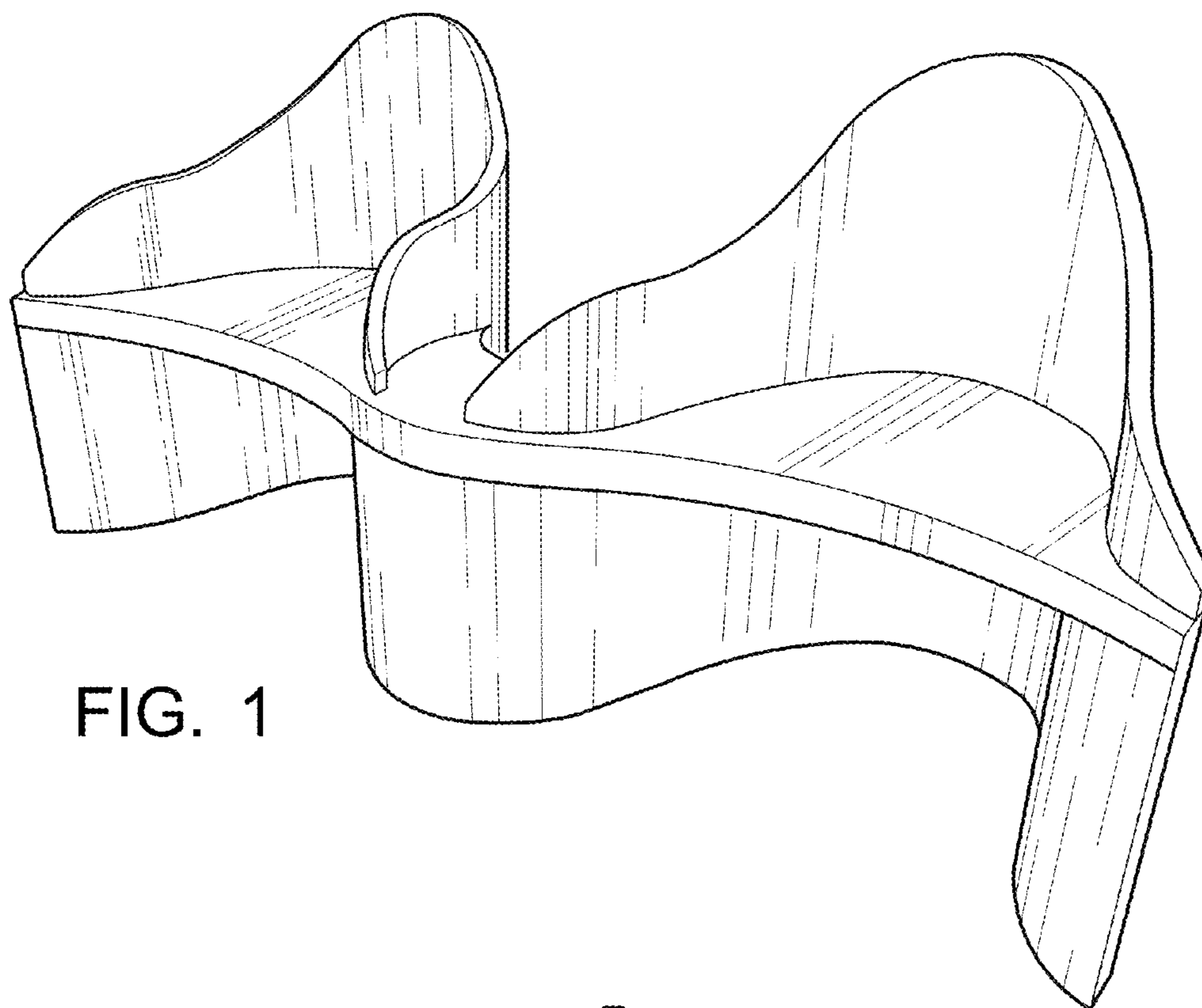


FIG. 1

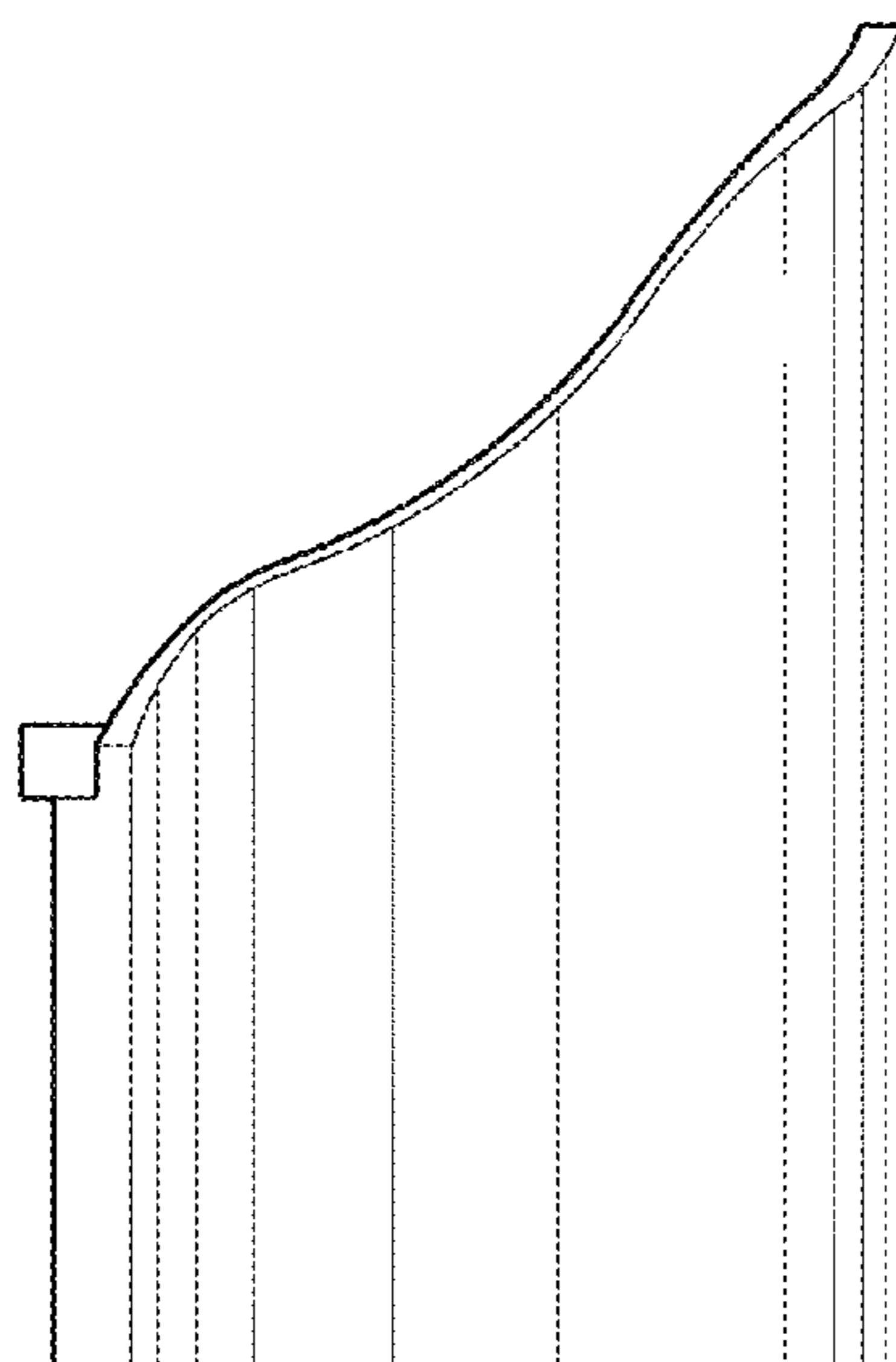


FIG. 2

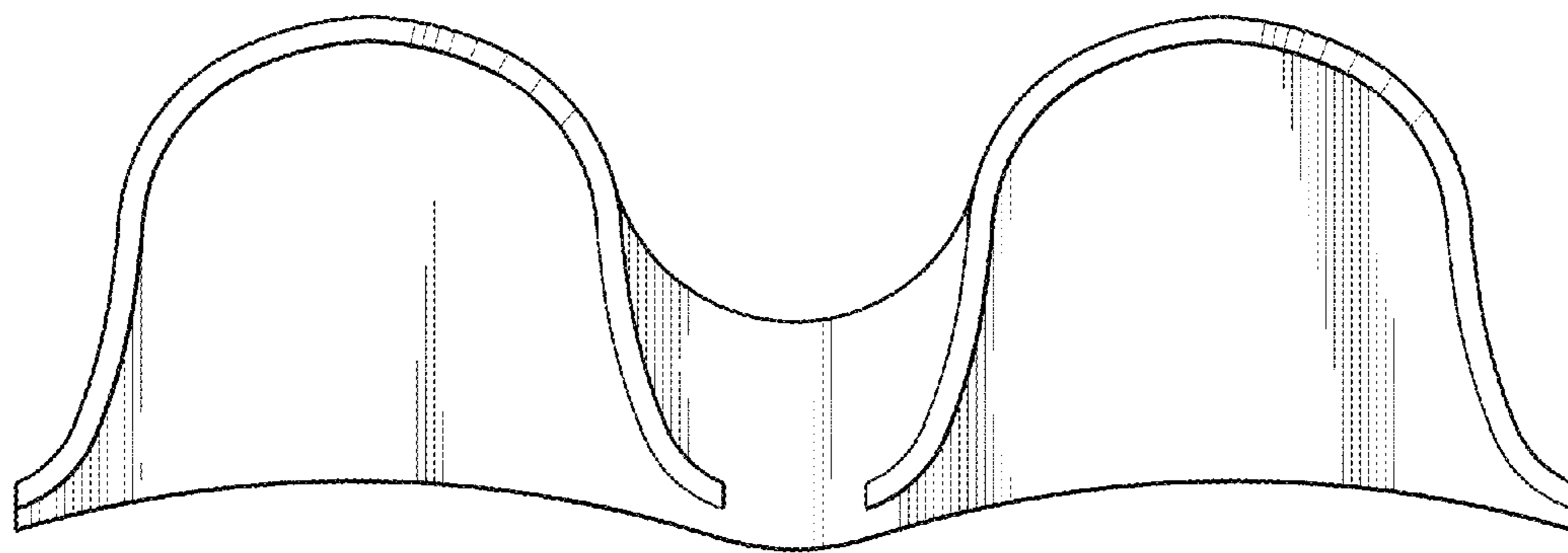


FIG. 3

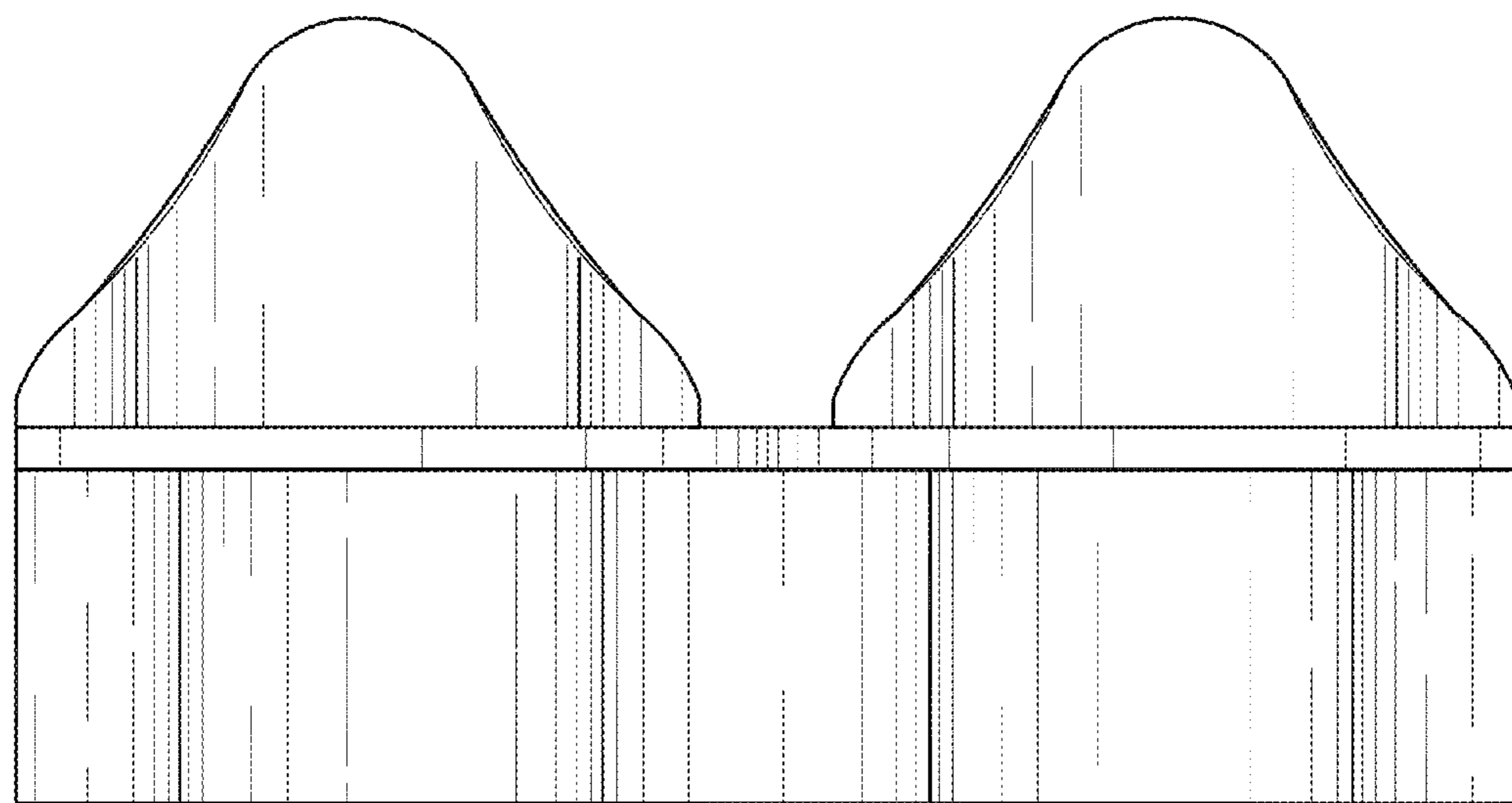


FIG. 4

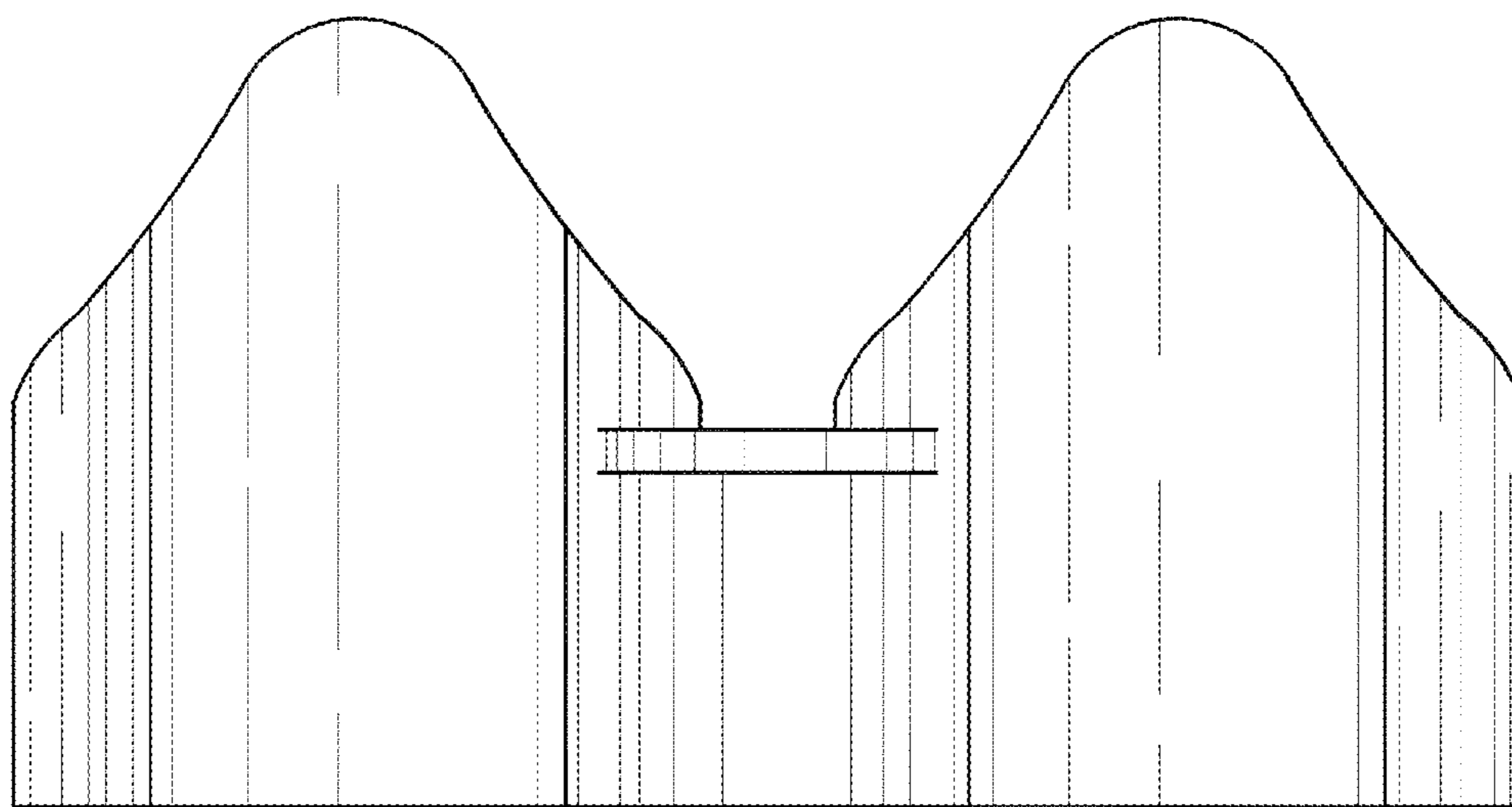


FIG. 5

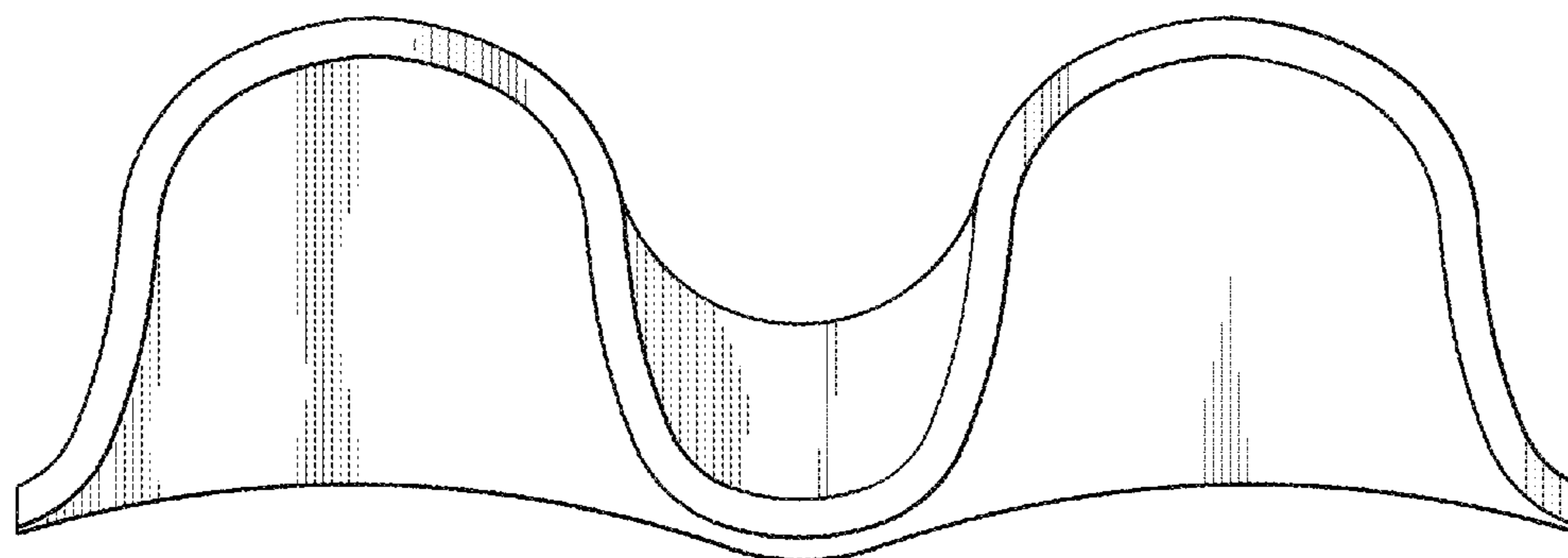


FIG. 6