



US00D738637S

(12) **United States Design Patent**  
**Dean**

(10) **Patent No.:** **US D738,637 S**  
(45) **Date of Patent:** **\*\* Sep. 15, 2015**

(54) **HANGING CHAIR**

(71) Applicant: **David S. Dean**, Bartlett, TN (US)

(72) Inventor: **David S. Dean**, Bartlett, TN (US)

(\*\*) Term: **14 Years**

(21) Appl. No.: **29/517,282**

(22) Filed: **Feb. 11, 2015**

(51) **LOC (10) Cl.** ..... **06-01**

(52) **U.S. Cl.**  
USPC ..... **D6/347**

(58) **Field of Classification Search**

USPC ..... D6/334–336, 344, 347, 369, 370, 374,  
D6/375, 716, 716.1; D21/823, 824  
CPC ..... A47C 3/025; A47C 3/0255; A63G 9/00;  
A63G 9/02; A63G 9/12; A45F 3/22; A45F  
3/26

See application file for complete search history.

(56) **References Cited**

**U.S. PATENT DOCUMENTS**

3,130,969	A *	4/1964	Groth	.....	A63G 9/02
D215,105	S *	9/1969	Cohn	.....	D21/823
4,014,540	A *	3/1977	Caulkins	.....	A63G 9/12
D248,052	S *	5/1978	West	.....	D21/824
D256,149	S *	7/1980	Beller	.....	D21/824
D259,652	S *	6/1981	Ahrens	.....	D21/824
6,702,686	B1 *	3/2004	Brown	.....	A63G 9/12
7,367,068	B2 *	5/2008	Huff	.....	A45F 3/22
D679,104	S *	4/2013	Pouzet	.....	D6/347
D702,449	S *	4/2014	Puotiniemi	.....	D6/347

\* cited by examiner

*Primary Examiner* — Mimosa De

(74) *Attorney, Agent, or Firm* — Pitts & Lake P.C.

(57) **CLAIM**

I claim the ornamental design for a hanging chair, as shown and described.

**DESCRIPTION**

FIG. 1 is a perspective view of a first embodiment of a design of the present invention for a hanging chair, with cable supports illustrated in broken lines;

FIG. 2 is a perspective view the hanging chair of FIG. 1;

FIG. 3 is a top view of the hanging chair of FIG. 1;

FIG. 4 is a bottom view of the hanging chair of FIG. 1;

FIG. 5 is a front side elevation view of the hanging chair of FIG. 1;

FIG. 6 is a rear side elevation view of the hanging chair of FIG. 1;

FIG. 7 is a left side elevation view of the hanging chair of FIG. 1, the right side elevation view being a mirror image thereof;

FIG. 8 is a perspective view of a second embodiment of a design of the present invention for a hanging chair;

FIG. 9 is a top view the hanging chair of FIG. 8;

FIG. 10 is a bottom view of the hanging chair of FIG. 8;

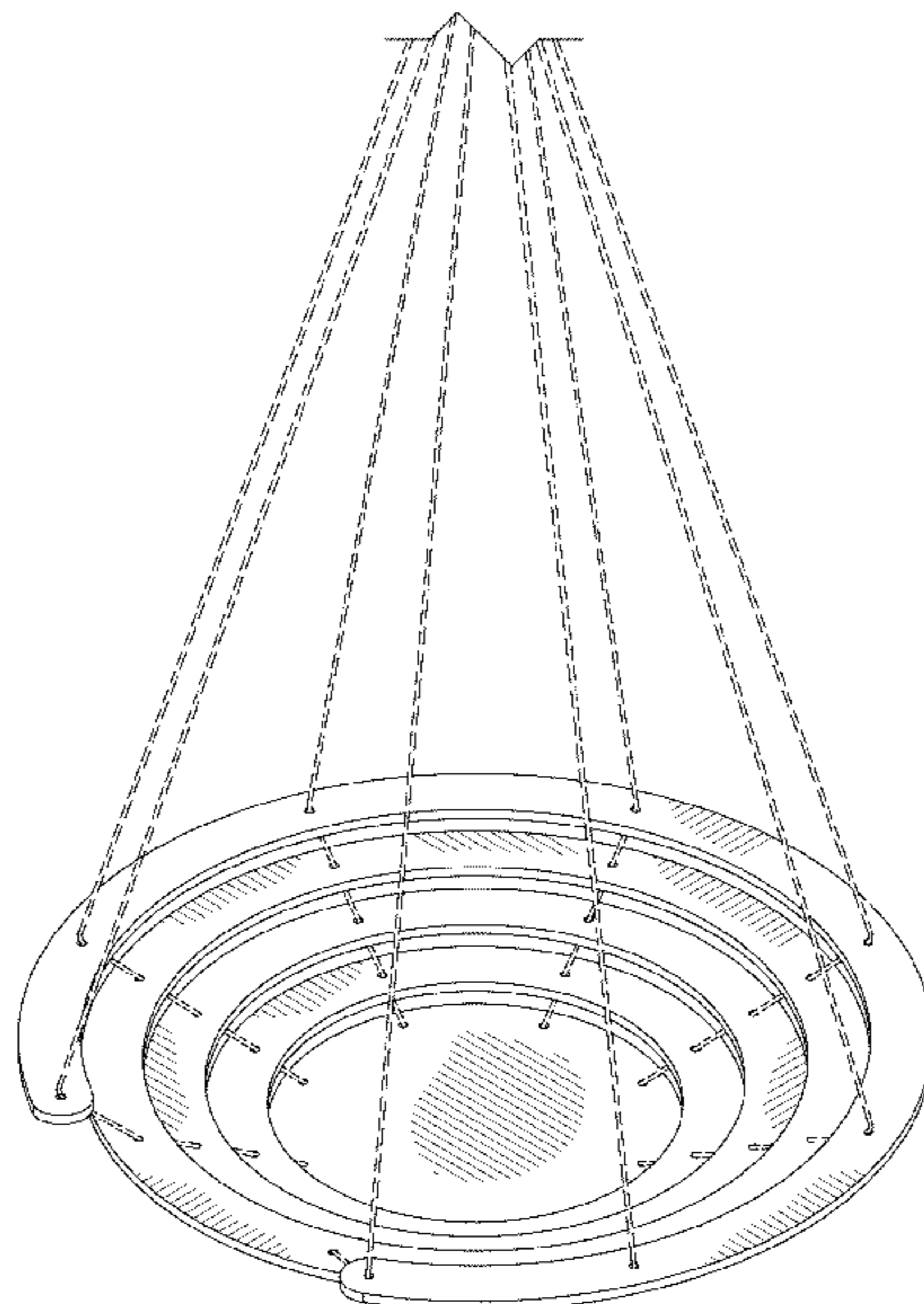
FIG. 11 is a front side elevation view of the hanging chair of FIG. 8;

FIG. 12 is a rear side elevation view of the hanging chair of FIG. 8; and,

FIG. 13 is a left side elevation view of the hanging chair of FIG. 8, the right side elevation view being a mirror image thereof.

The features of the cable supports shown in broken lines are for illustrative purposes only and form no part of the claimed design.

**1 Claim, 7 Drawing Sheets**



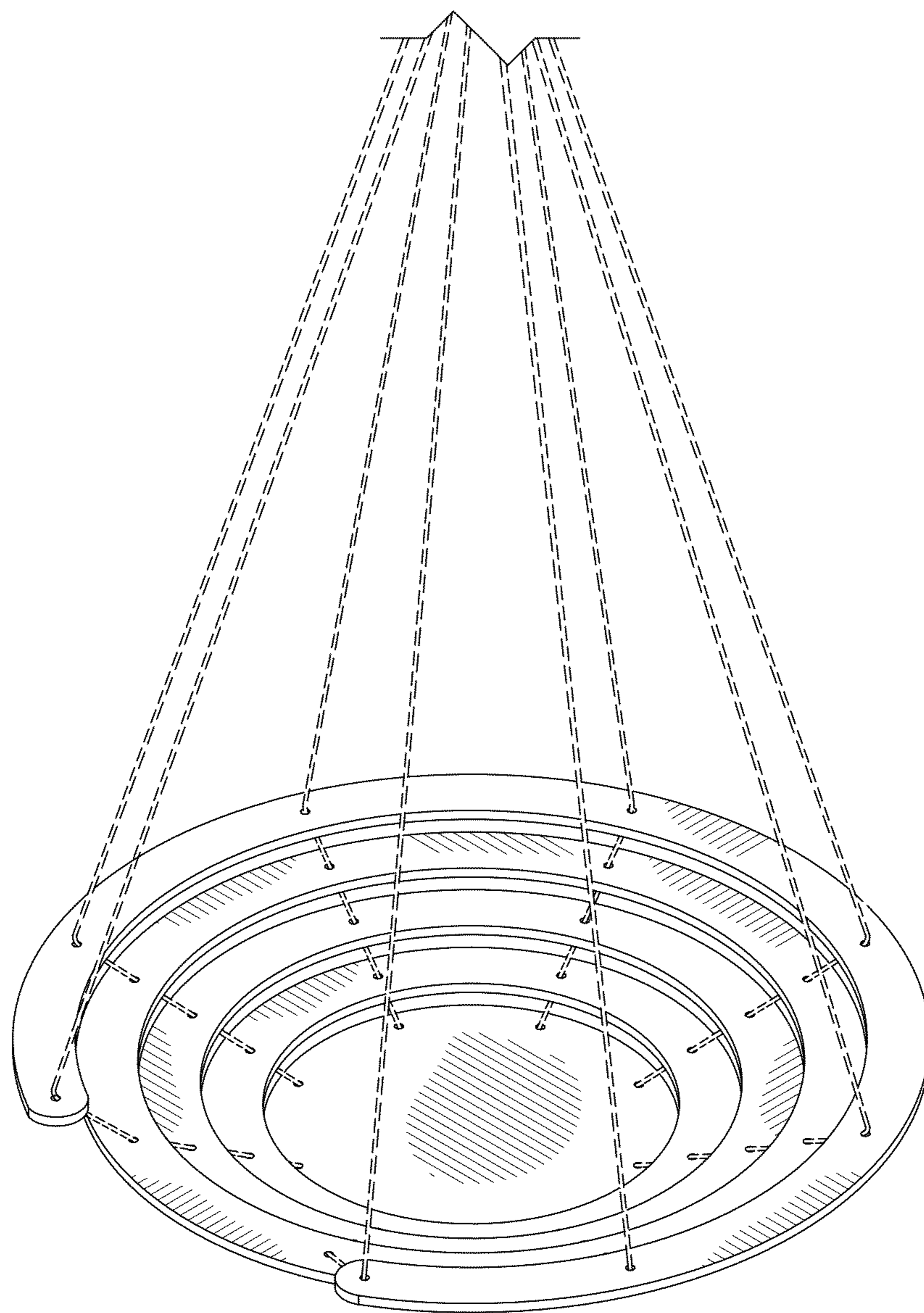


Fig. 1

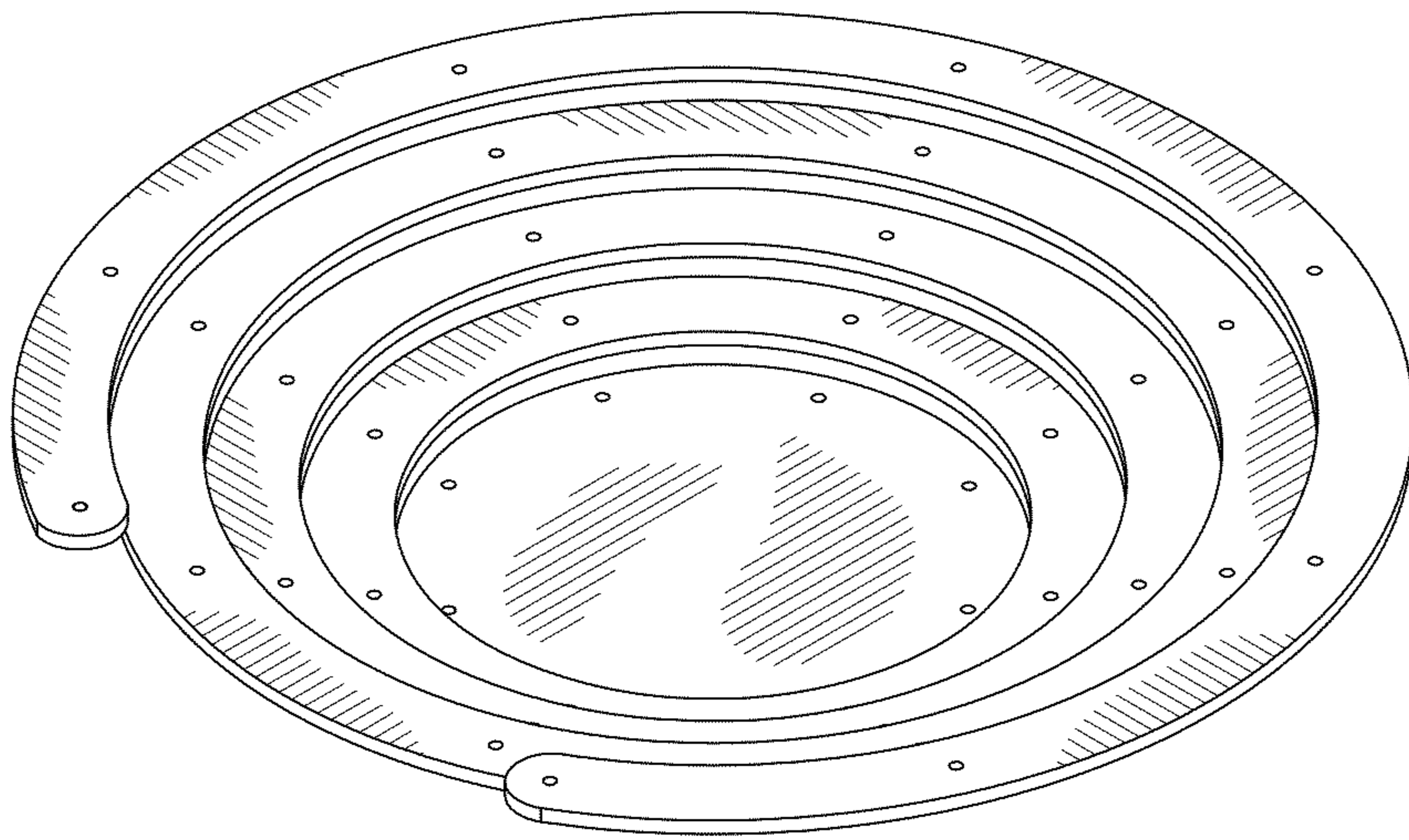


Fig. 2

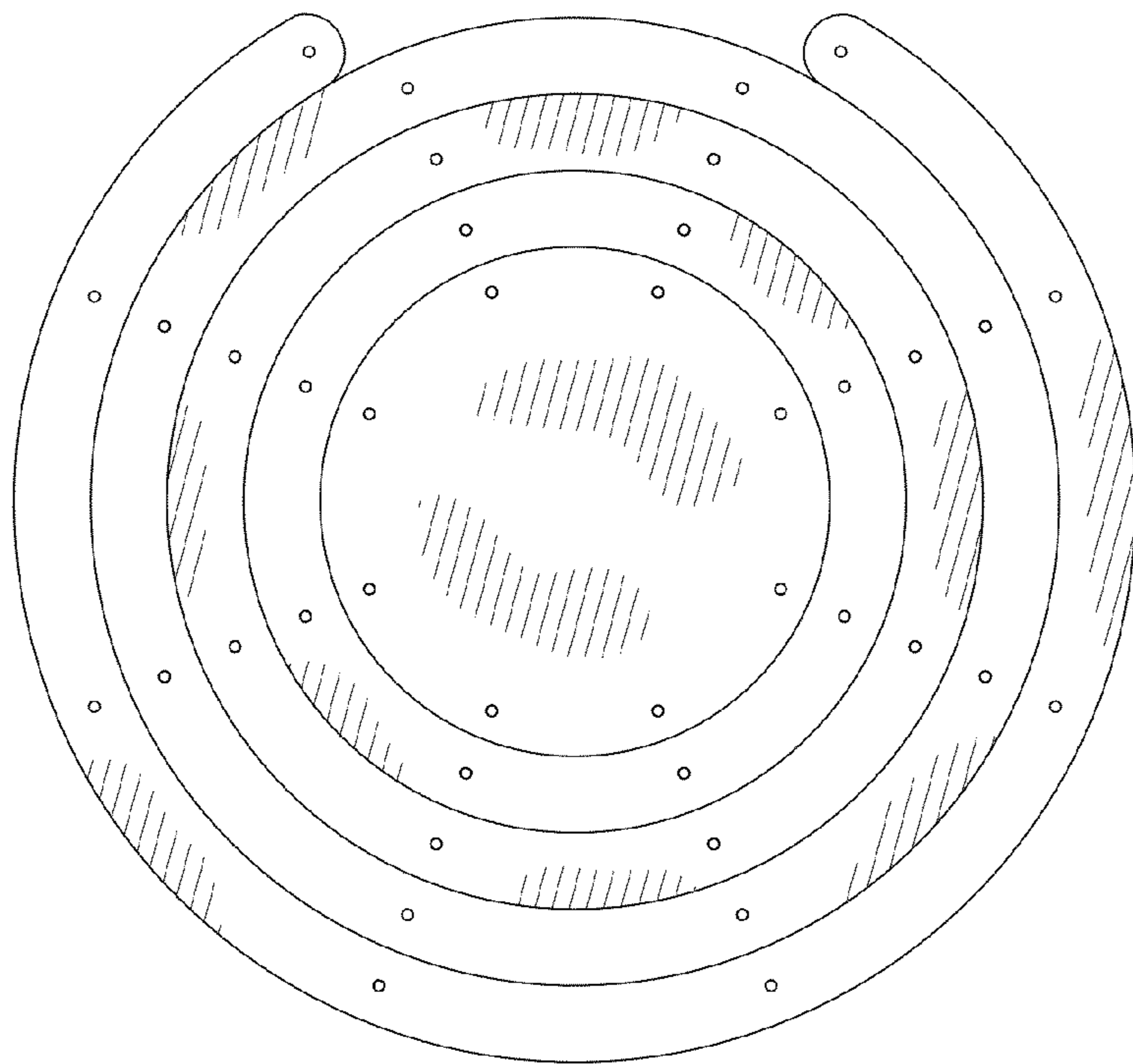


Fig. 4

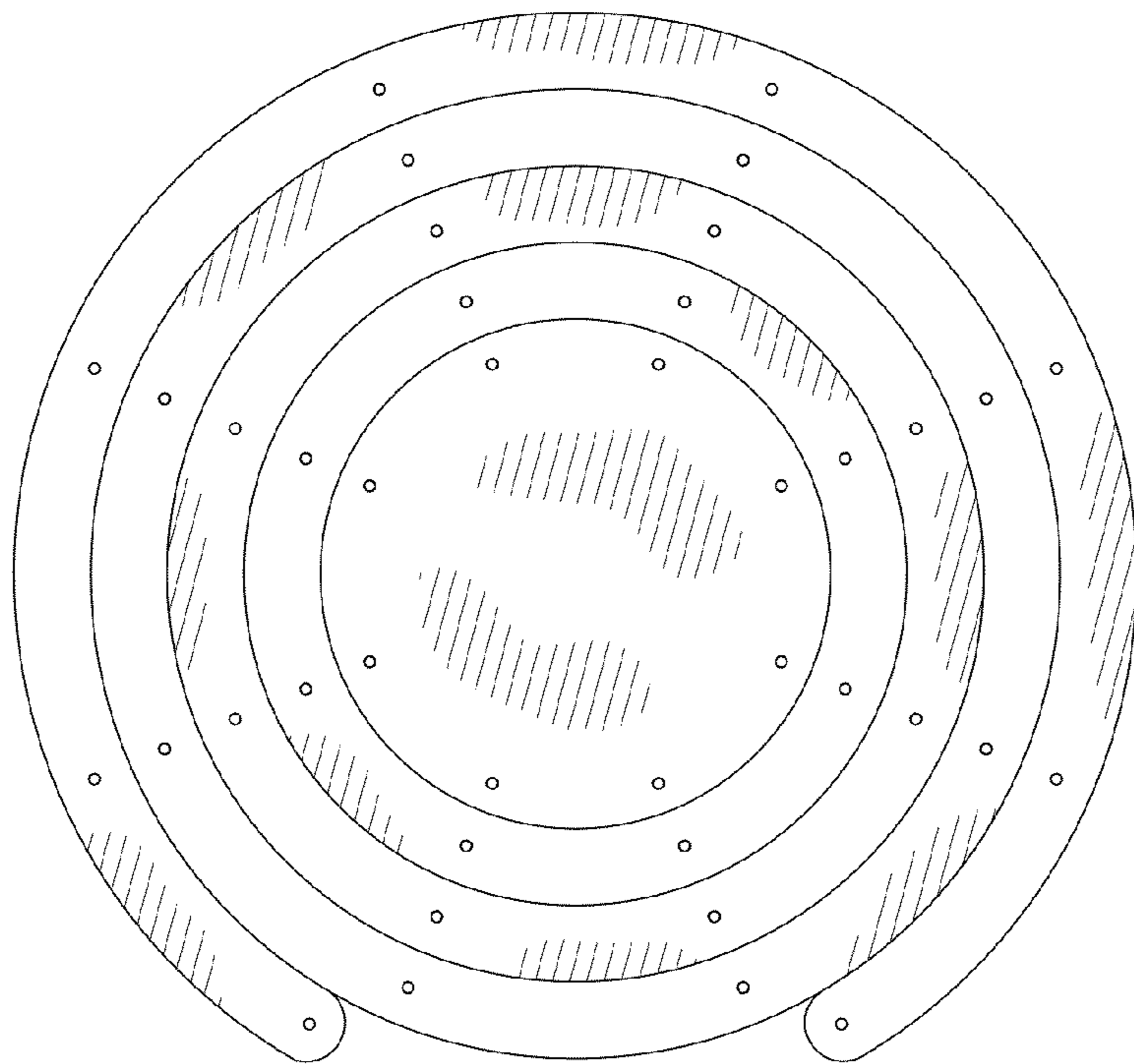


Fig. 3



Fig. 5

Fig. 6

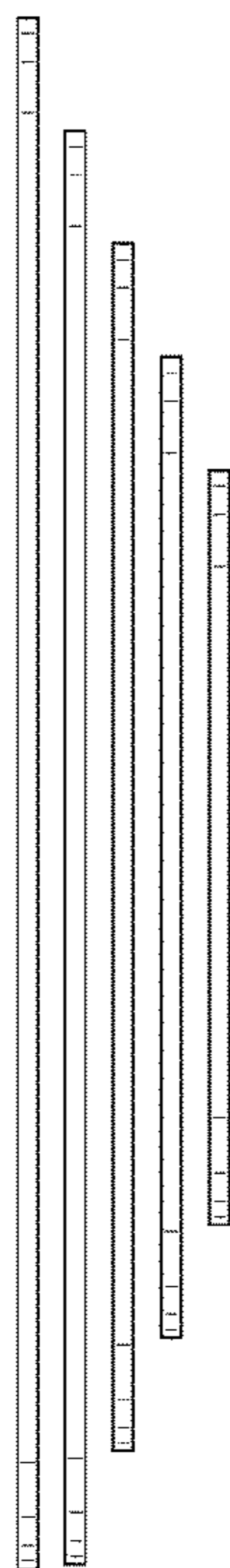


Fig. 7

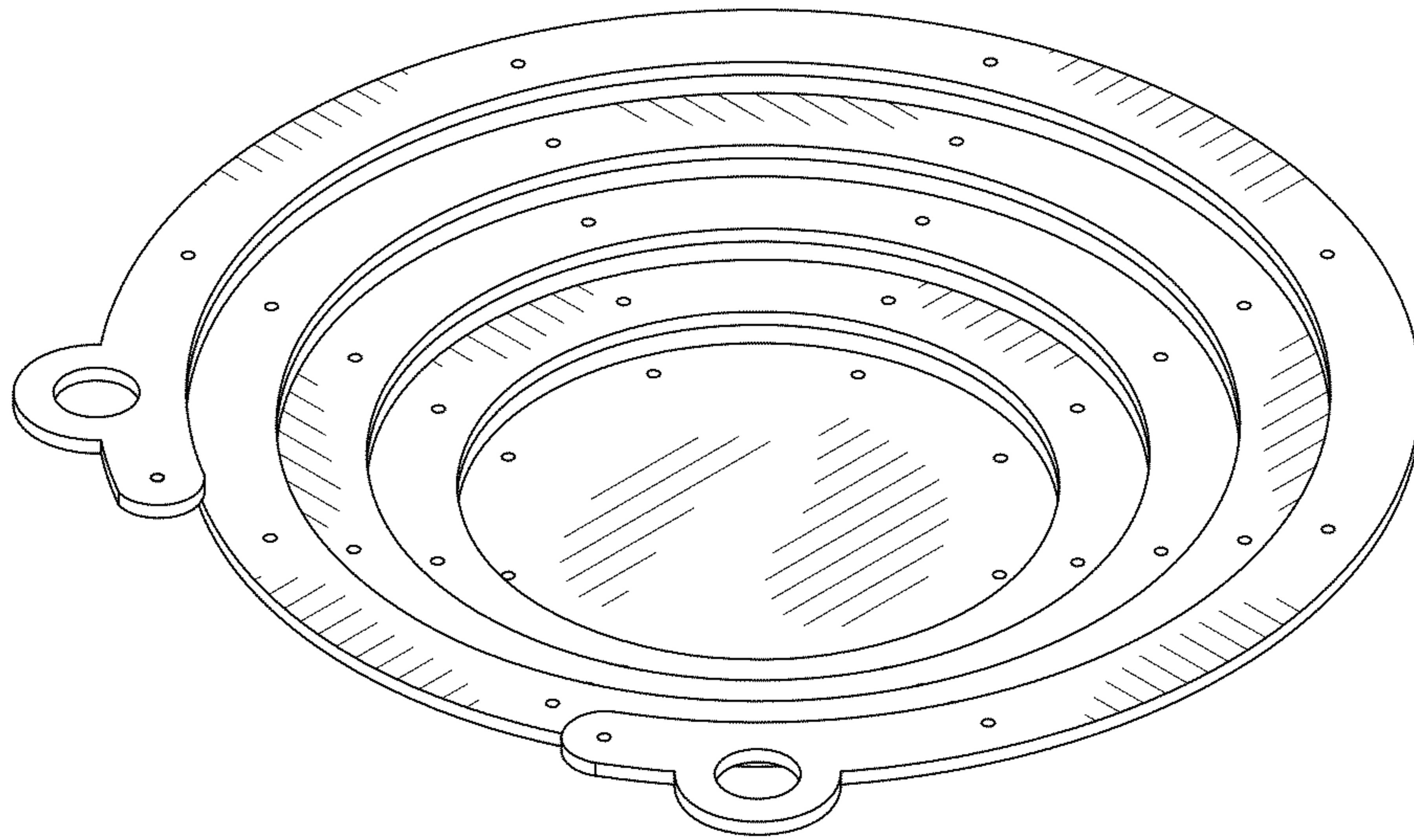


Fig.8

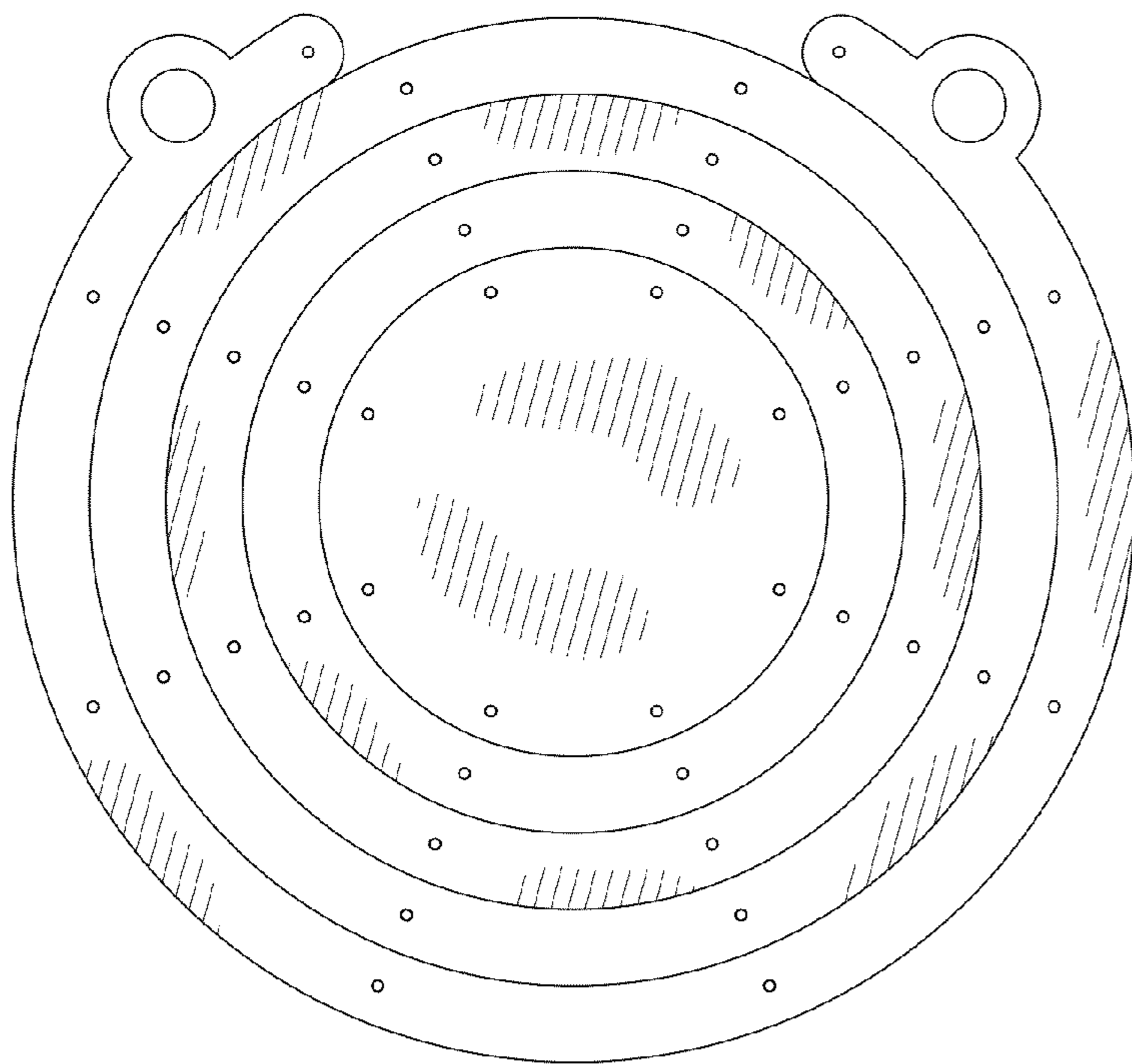


Fig. 10

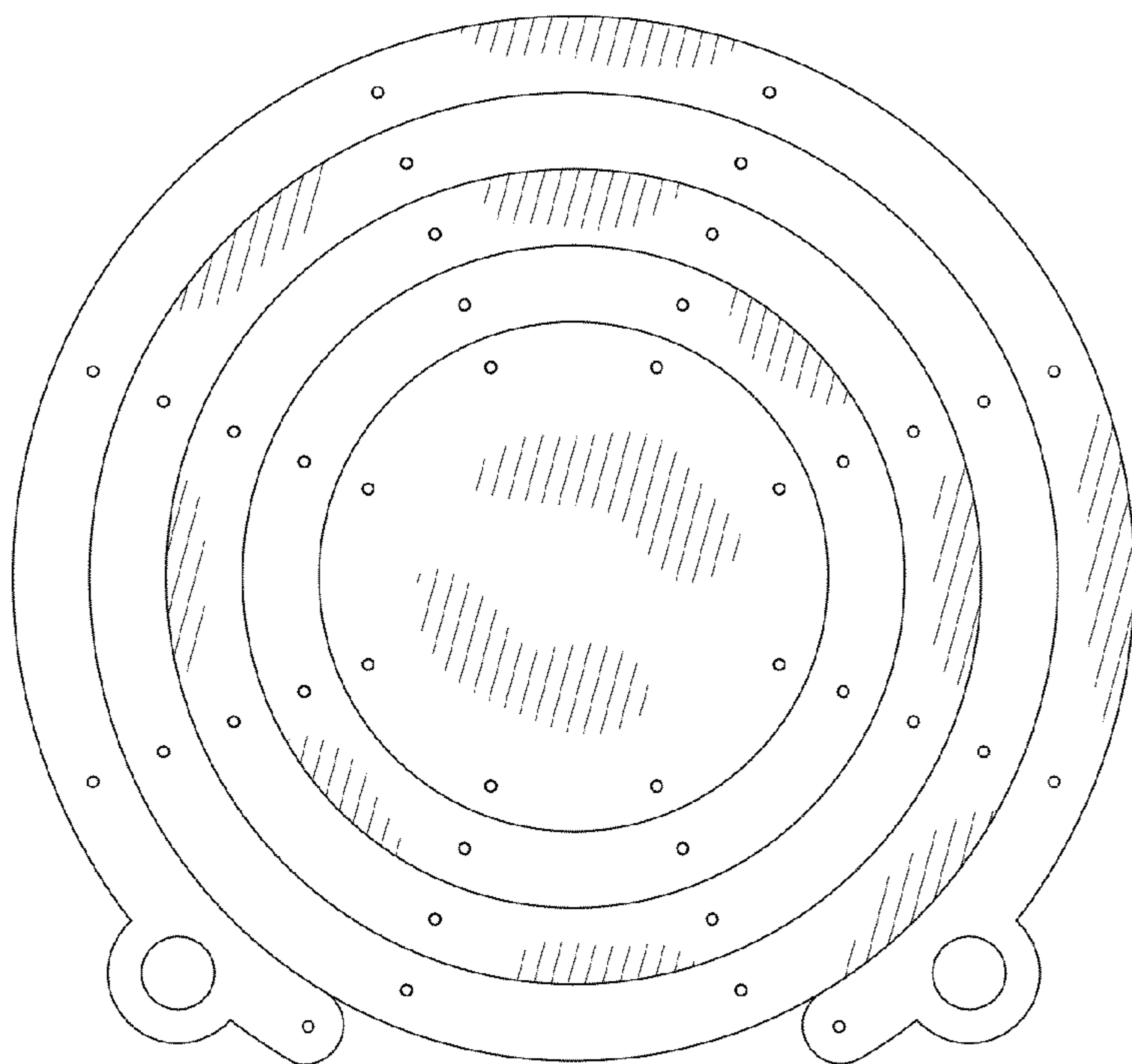


Fig. 9

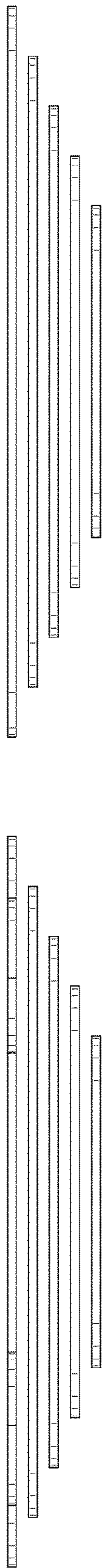


Fig. 11

Fig. 12

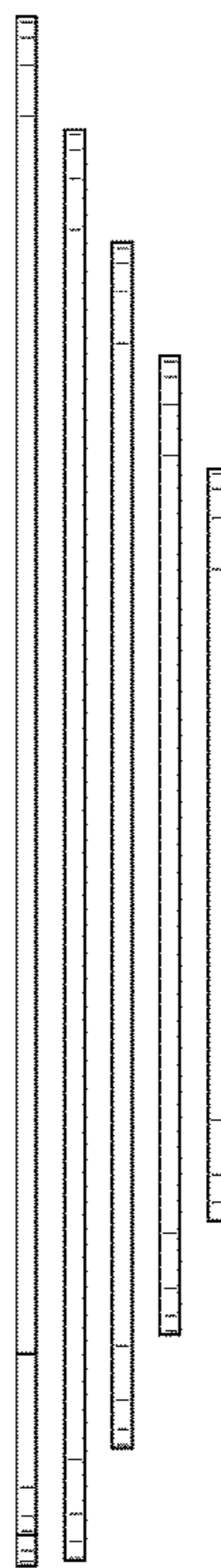


Fig. 13