



US00D738626S

(12) **United States Design Patent**
Wagner

(10) **Patent No.:** **US D738,626 S**

(45) **Date of Patent:** **** Sep. 15, 2015**

(54) **FLEXIBLE FINGER BRUSH WITH
POLISHING KNOB**

(71) Applicant: **Eugene Carl Wagner**, Pacific Palisades,
CA (US)

(72) Inventor: **Eugene Carl Wagner**, Pacific Palisades,
CA (US)

(**) Term: **14 Years**

(21) Appl. No.: **29/474,770**

(22) Filed: **Feb. 5, 2015**

(51) **LOC (10) Cl.** **04-02**

(52) **U.S. Cl.**
USPC **D4/103**

(58) **Field of Classification Search**

USPC D4/103; D29/113, 114; 15/104.94, 227;
401/6, 7; D3/29; 2/211; 223/101
CPC .. A46B 5/04; A46B 2200/01; A46B 2200/10;
A46B 2200/1026; A46B 2200/1066; A47K
7/02; A47K 7/03; A47L 13/18; A47L 13/19;
A61F 13/10; A61F 13/104; A61F 13/105;
D05B 91/04

See application file for complete search history.

(56) **References Cited**

U.S. PATENT DOCUMENTS

2,077,540	A *	4/1937	Welker	D4/103
D313,317	S *	1/1991	Brunner et al.	D4/103
5,490,530	A *	2/1996	Snowden	132/311
D459,808	S *	7/2002	Safieh	D24/152
D595,508	S *	7/2009	Wagner	D4/103
7,744,137	B2 *	6/2010	Mazyck	294/25
D637,763	S *	5/2011	Hernandez	D29/114

FOREIGN PATENT DOCUMENTS

BR	MU8900865	U2 *	4/2010	
CN	201070106	Y *	6/2008	
FR	2571601	A1 *	4/1986 A46B 5/04
JP	10243818	A *	9/1998	
RU	2043052	C1 *	9/1995	
TW	M290692	U *	5/2006	

* cited by examiner

Primary Examiner — Melanie H Tung
Assistant Examiner — Lavone D Tabor

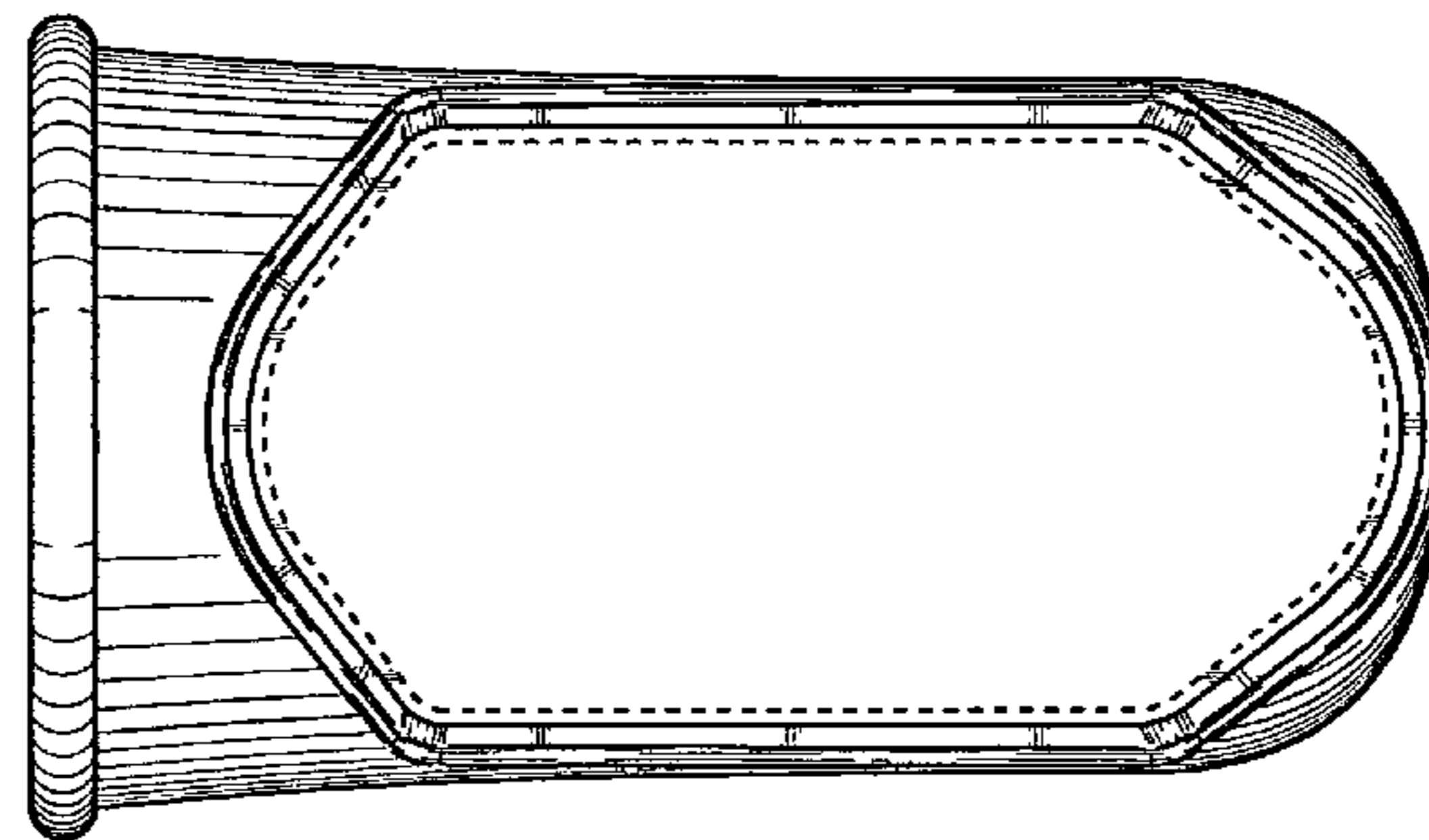
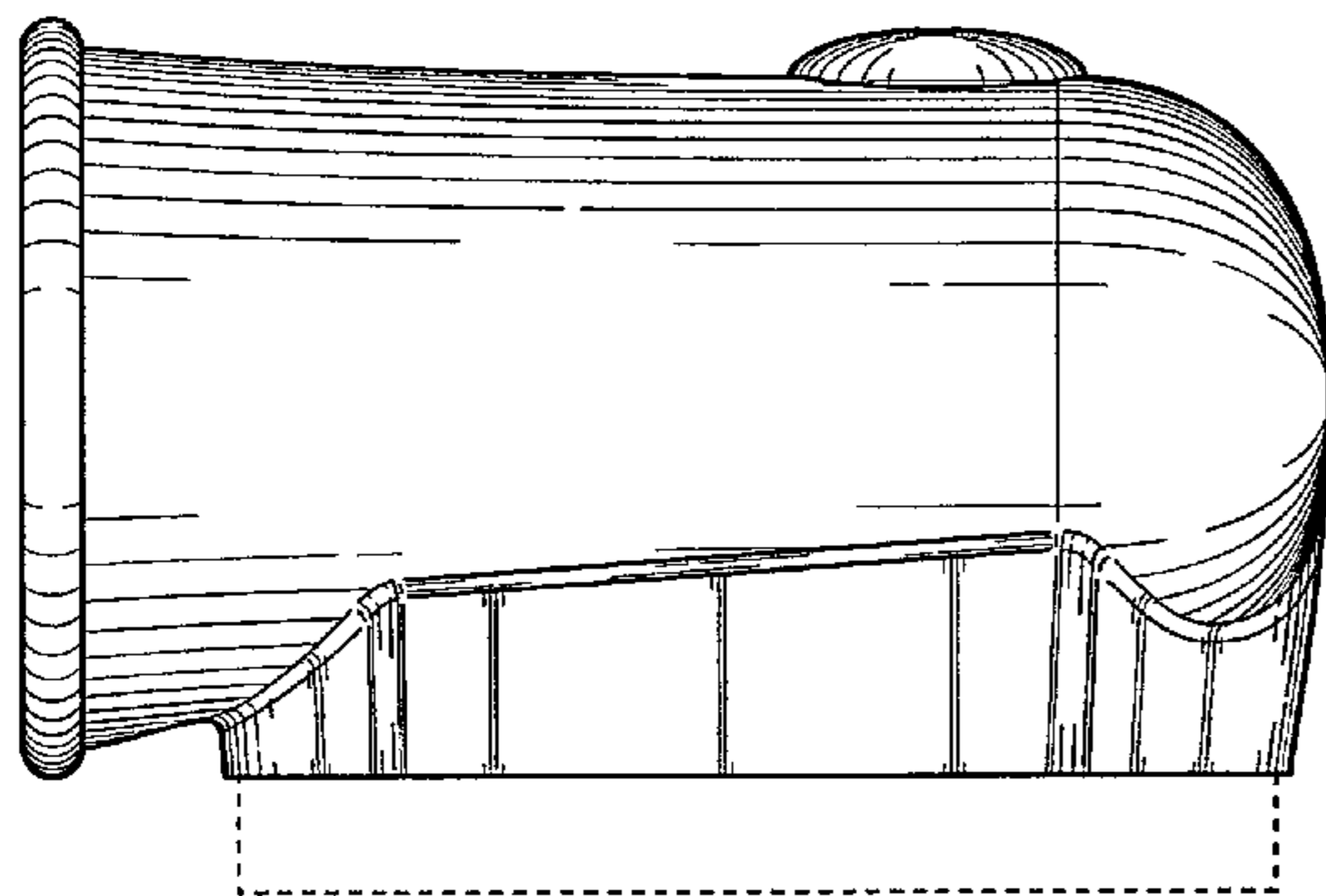
(57) **CLAIM**

The ornamental design for a flexible finger brush with polishing knob, as shown and described.

DESCRIPTION

FIG. 1 is a perspective view of a flexible finger brush with polishing knob showing my new design;
FIG. 2 is a side view thereof;
FIG. 3 is a front view thereof;
FIG. 4 is a rear view thereof;
FIG. 5 is a top view thereof;
FIG. 6 is a bottom view thereof; and,
FIG. 7 is a reduced perspective view thereof shown mounted on the finger of a user's hand.
The broken lines showing a user's hand are for illustrative purposes only and form no part of the claimed design. The broken line structure projecting from the bottom of the article illustrates a portion of the finger brush that forms no part of the claimed design.

1 Claim, 5 Drawing Sheets



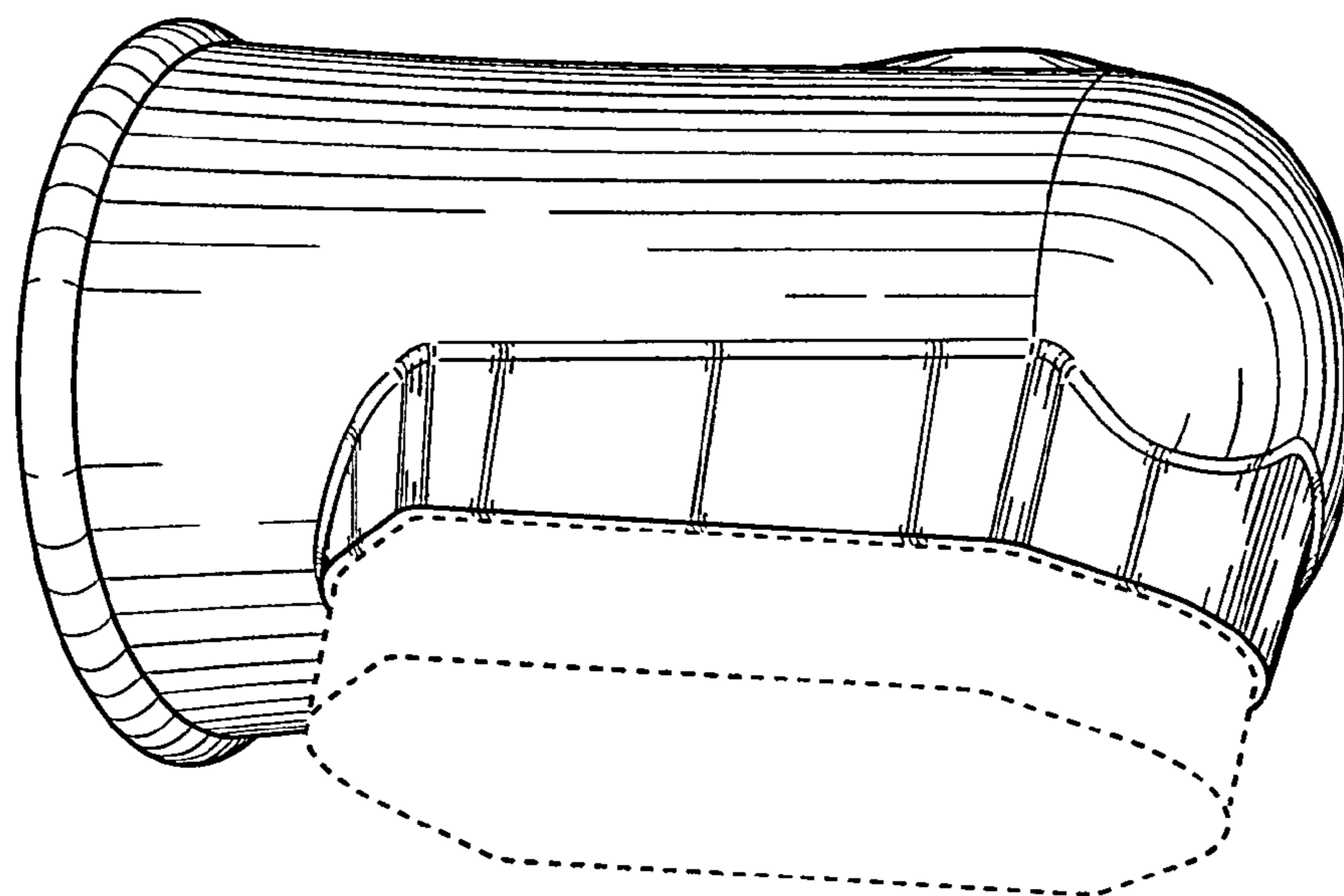


FIG. 1

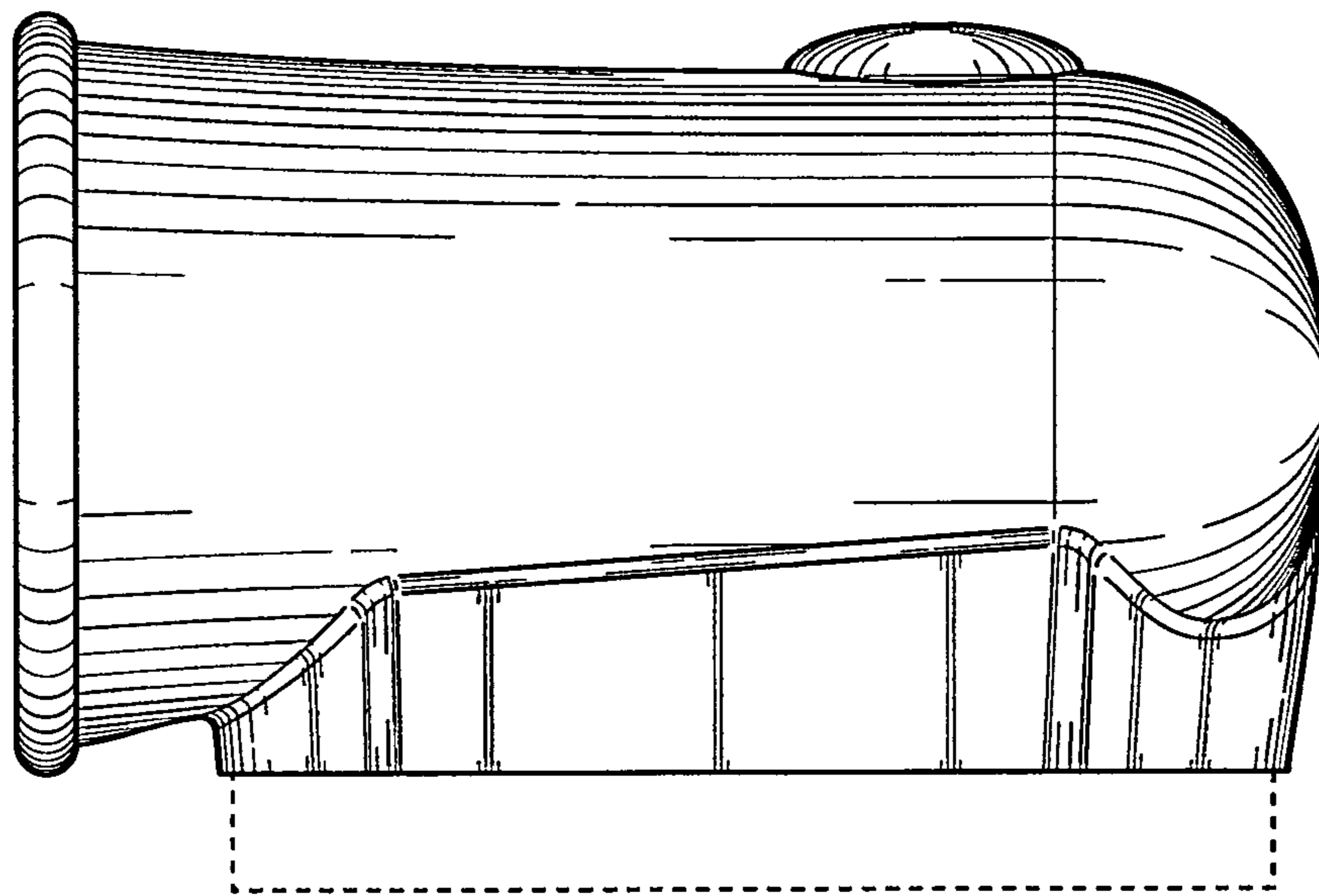


FIG. 2

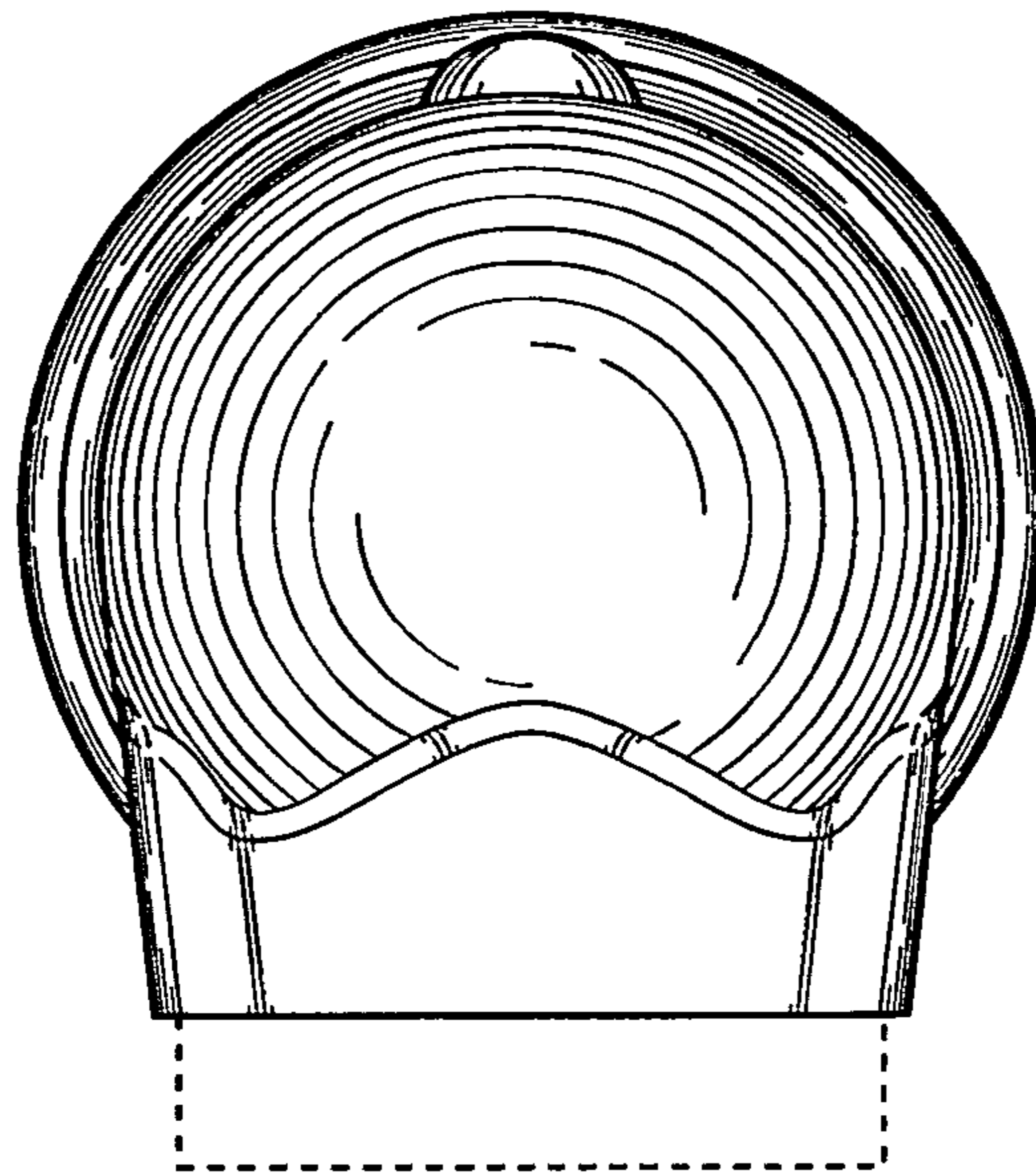


FIG. 3

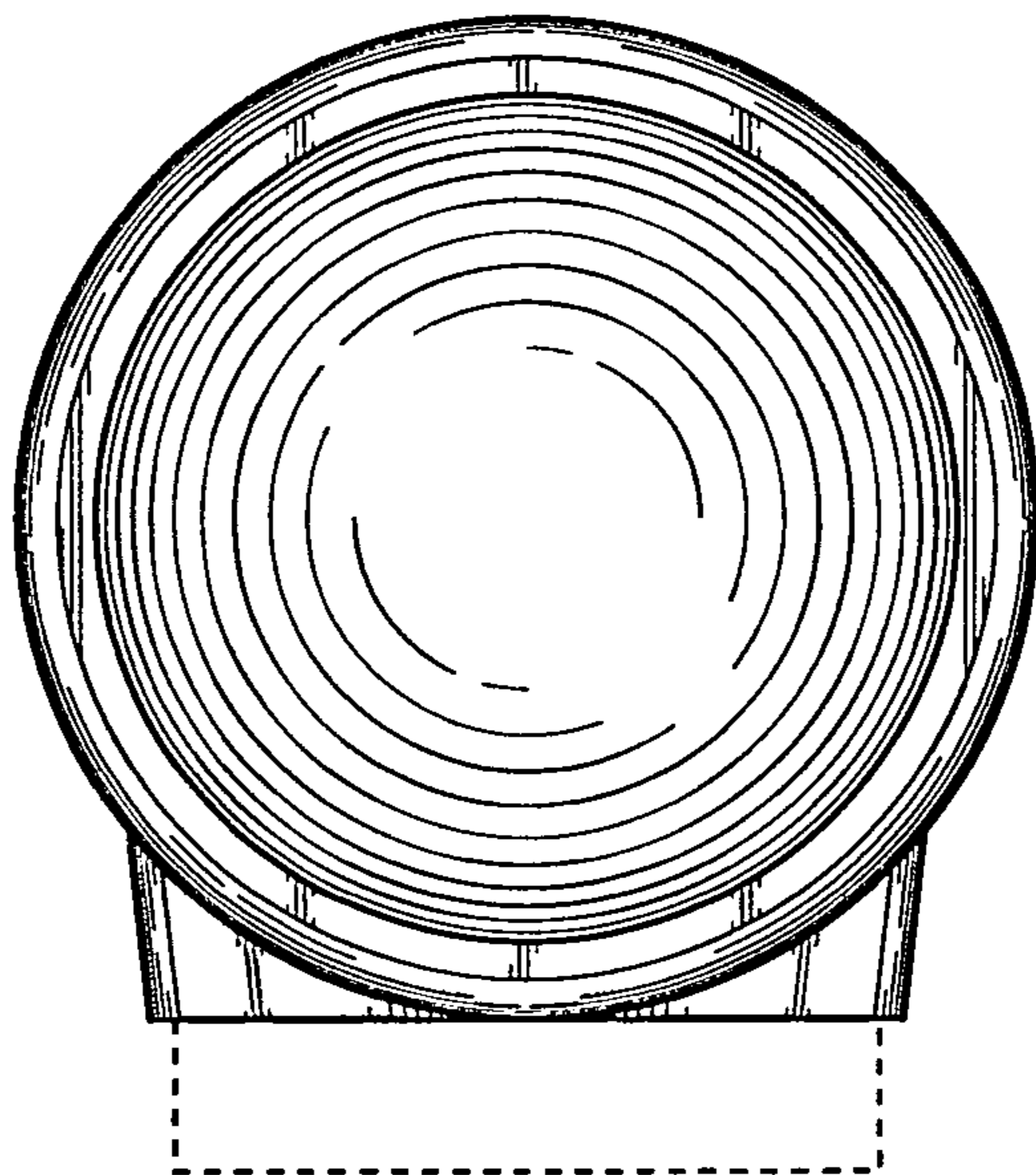


FIG. 4

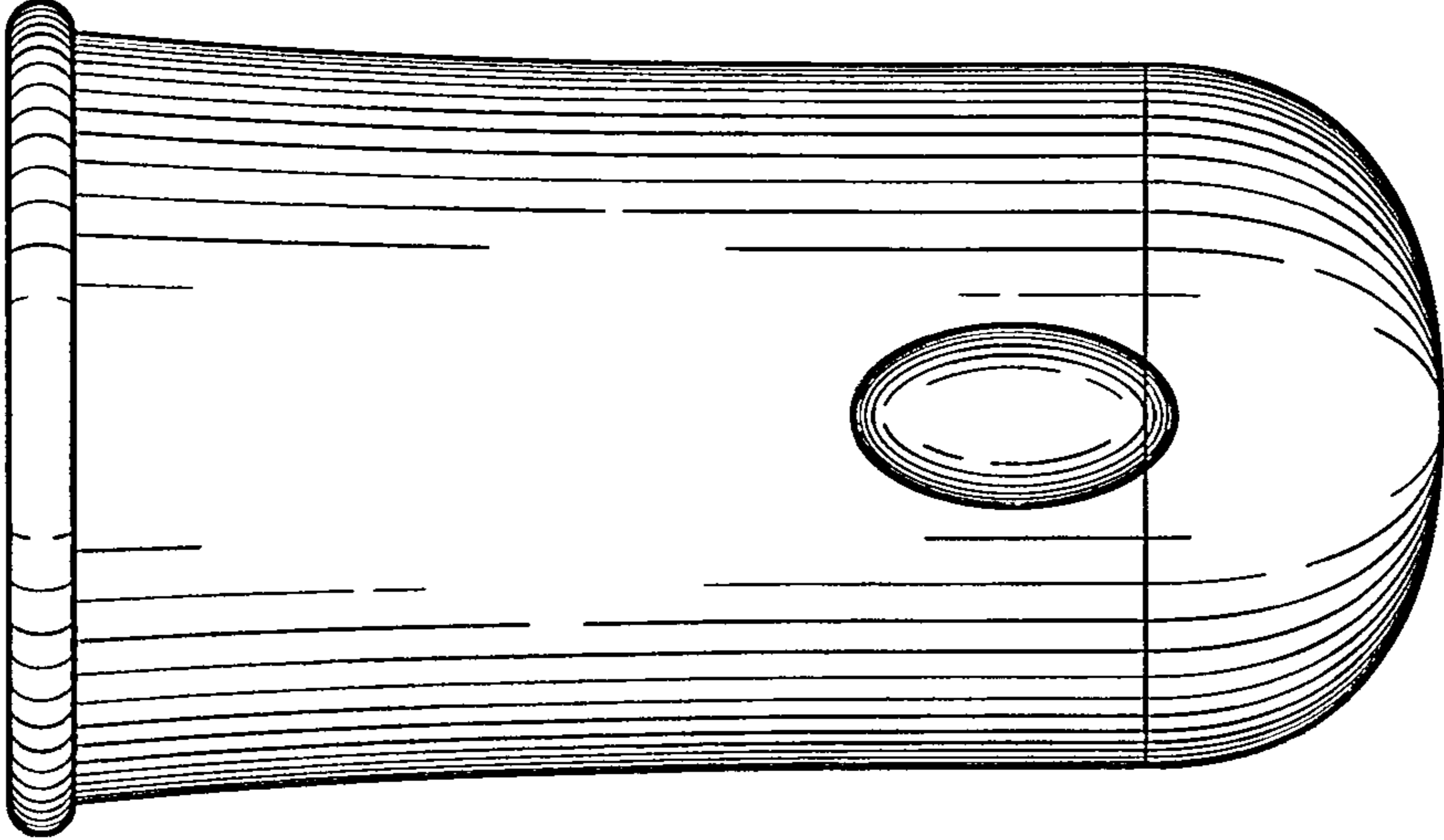


FIG. 5

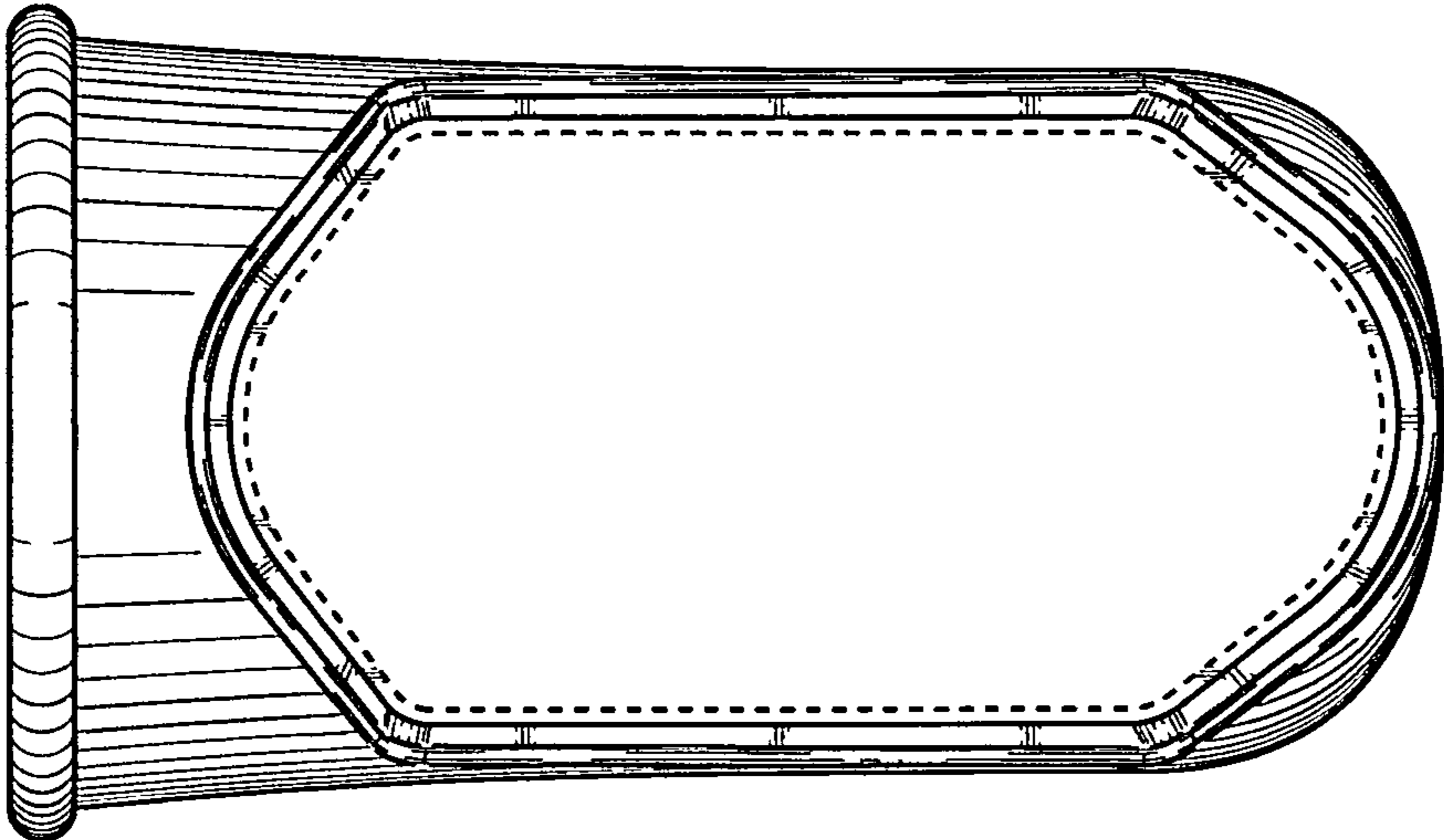


FIG. 6

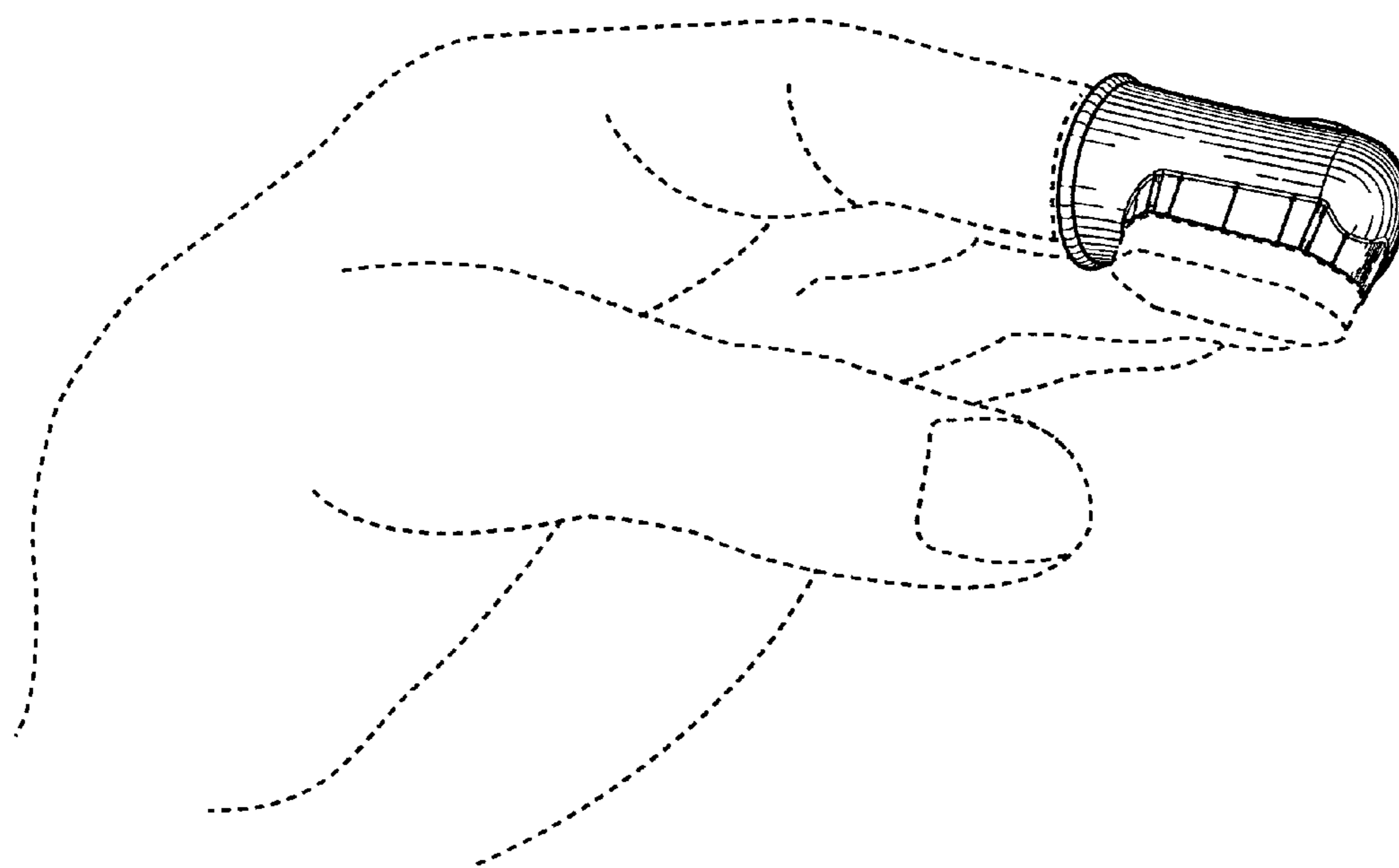


FIG. 7