



US00D738623S

(12) **United States Design Patent**
Wood

(10) **Patent No.:** **US D738,623 S**

(45) **Date of Patent:** **** Sep. 15, 2015**

(54) **TOTE**
(71) Applicant: **Sterilite Corporation**, Townsend, MA
(US)

(72) Inventor: **Michelle Wood**, Ayer, MA (US)

(73) Assignee: **Sterilite Corporation**, Townsend, MA
(US)

(**) Term: **14 Years**

(21) Appl. No.: **29/467,142**

(22) Filed: **Sep. 16, 2013**

(51) **LOC (10) Cl.** **03-01**

(52) **U.S. Cl.**
USPC **D3/302**

(58) **Field of Classification Search**
USPC D3/273, 276, 280, 282, 283, 284, 286,
D3/288, 292, 294, 295, 901, 903, 905, 302,
D3/306, 304, 272, 232, 247, 425; 206/503,
206/207, 419, 505, 507, 511, 518, 559, 509,
206/506, 373, 501, 823, 515, 520;
220/23.86, 373, 553, 759, 506, 802,
220/822, 4.25, 23.6, 354, 355, 306, 307;
D9/423, 424, 425

See application file for complete search history.

(56) **References Cited**

U.S. PATENT DOCUMENTS

D302,774 S * 8/1989 Murphy D7/629
D394,350 S * 5/1998 Zimmerman D3/314
D398,151 S * 9/1998 Ahern, Jr. D3/304
D406,463 S * 3/1999 Rutledge D3/302
D427,769 S * 7/2000 Zimmerman D3/302
D480,872 S * 10/2003 Welsh et al. D3/302
D510,802 S * 10/2005 Sagol D3/273
D513,870 S * 1/2006 Rosine et al. D3/273
D513,871 S * 1/2006 Rosine et al. D3/273
D519,734 S * 5/2006 Richardson et al. D3/294
D567,507 S 4/2008 Zimmerman
D572,903 S 7/2008 McNamara et al.

D643,628 S * 8/2011 Monarch D3/302
D645,248 S * 9/2011 Osiecki et al. D3/276
D719,731 S * 12/2014 Burgess et al. D3/302

FOREIGN PATENT DOCUMENTS

CA 2546731 A1 11/2006

OTHER PUBLICATIONS

1845 45Gal Wheeled Tote Box Product Specification List. Winter 2001. 1 page.
1850 36 Gal Totelocker Product Specification List. Spring 1998. 1 page.
Allibert Home Solutions. Trunks 140L, 80L and 60L. <http://www.alliberthome.com/en/producten.asp?s=pdet&idsc=104&idmc=22&idp=297>. Printed Jan. 15, 2014. 3 pages.
Rubbermaid. 2459 16.7 Gal Latch Hinge Totelocker; 2268 28.3 Gal Jumbo; 2467 20.3 Gal Jumbo and 72 Quart Max Latch Box. Aug. 1997 Catalog. 1 page.
Sterilite Corporation 1740; 1745; 1748 Product Specification List. Fall 1996. 1 page.
Sterilite Corporation. 1750 31Gal Totelocker Product Specification List. Winter 1997. 1 page.
Sterilite Corporation. 1840 44 Gal Wheeled Tote Locker. 1 page.
Sterilite. Product pages for Ultra Latch Clear, Latch Clears, Clear Storage, Latch Totes and Storage Totes, 5 pages.
Tucker. 0285 0287 Extra Large31 Gallon Storage Locker. Tucker Product Specification. Feb. 7, 1996. p. 12. 1 page.
ZAG 32002; 32101; 32102; 32421; 32422; 32423; 32424 Product Data. Aug. 1997. 1 page.

* cited by examiner

Primary Examiner — Jennifer Rivard

Assistant Examiner — April Rivas

(74) *Attorney, Agent, or Firm* — Wilmer Cutler Pickering Hale and Dorr LLP

(57) **CLAIM**

The ornamental design for a tote, as shown and described.

DESCRIPTION

FIG. 1 is a top, front and right side perspective view of a first embodiment of a tote showing my new design;
FIG. 2 is a front elevational view thereof, the rear view being a mirror image thereof;

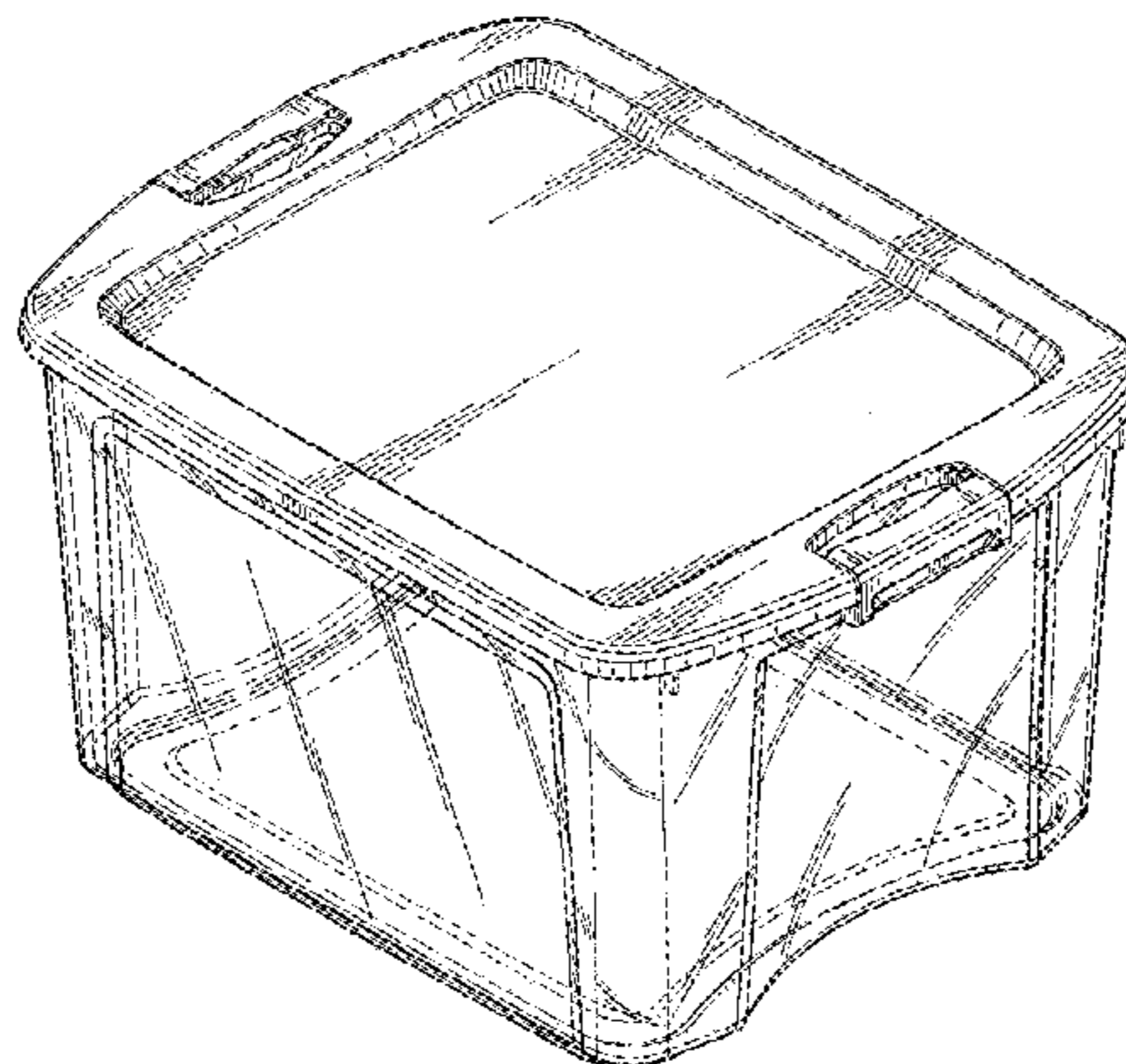


FIG. 3 is a left side elevational view thereof, the right side view being a mirror image thereof;
FIG. 4 is a top plan view thereof;
FIG. 5 is a bottom plan view thereof;
FIG. 6 is a top, front and right side perspective view of a second embodiment of a tote showing my new design;
FIG. 7 is a front elevational view thereof, the rear view being a mirror image thereof;
FIG. 8 is a left side elevational view thereof, the right side view being a mirror image thereof;
FIG. 9 is a top plan view thereof;
FIG. 10 is a bottom plan view thereof; and
FIG. 11 is a top, front and right side perspective view of a third embodiment of a tote showing my new design;
FIG. 12 is a front elevational view thereof, the rear view being a mirror image thereof;
FIG. 13 is a left side elevational view thereof, the right side view being a mirror image thereof;
FIG. 14 is a top plan view thereof;
FIG. 15 is a bottom plan view thereof; and
FIG. 16 is a top, front and right side perspective view of a fourth embodiment of a tote showing my new design;
FIG. 17 is a front elevational view thereof, the rear view being a mirror image thereof;

FIG. 18 is a left side elevational view thereof, the right side view being a mirror image thereof;
FIG. 19 is a top plan view thereof;
FIG. 20 is a bottom plan view thereof; and
FIG. 21 is a top, front and right side perspective view of a fifth embodiment of a tote showing my new design;
FIG. 22 is a front elevational view thereof, the rear view being a mirror image thereof;
FIG. 23 is a left side elevational view thereof, the right side view being a mirror image thereof;
FIG. 24 is a top plan view thereof;
FIG. 25 is a bottom plan view thereof; and
FIG. 26 is a top, front and right side perspective view of a sixth embodiment of a tote showing my new design;
FIG. 27 is a front elevational view thereof, the rear view being a mirror image thereof;
FIG. 28 is a left side elevational view thereof, the right side view being a mirror image thereof;
FIG. 29 is a top plan view thereof; and
FIG. 30 is a bottom plan view thereof.
The broken lines shown in the drawings illustrate portions of the tote and form no part of the claimed design.

1 Claim, 26 Drawing Sheets

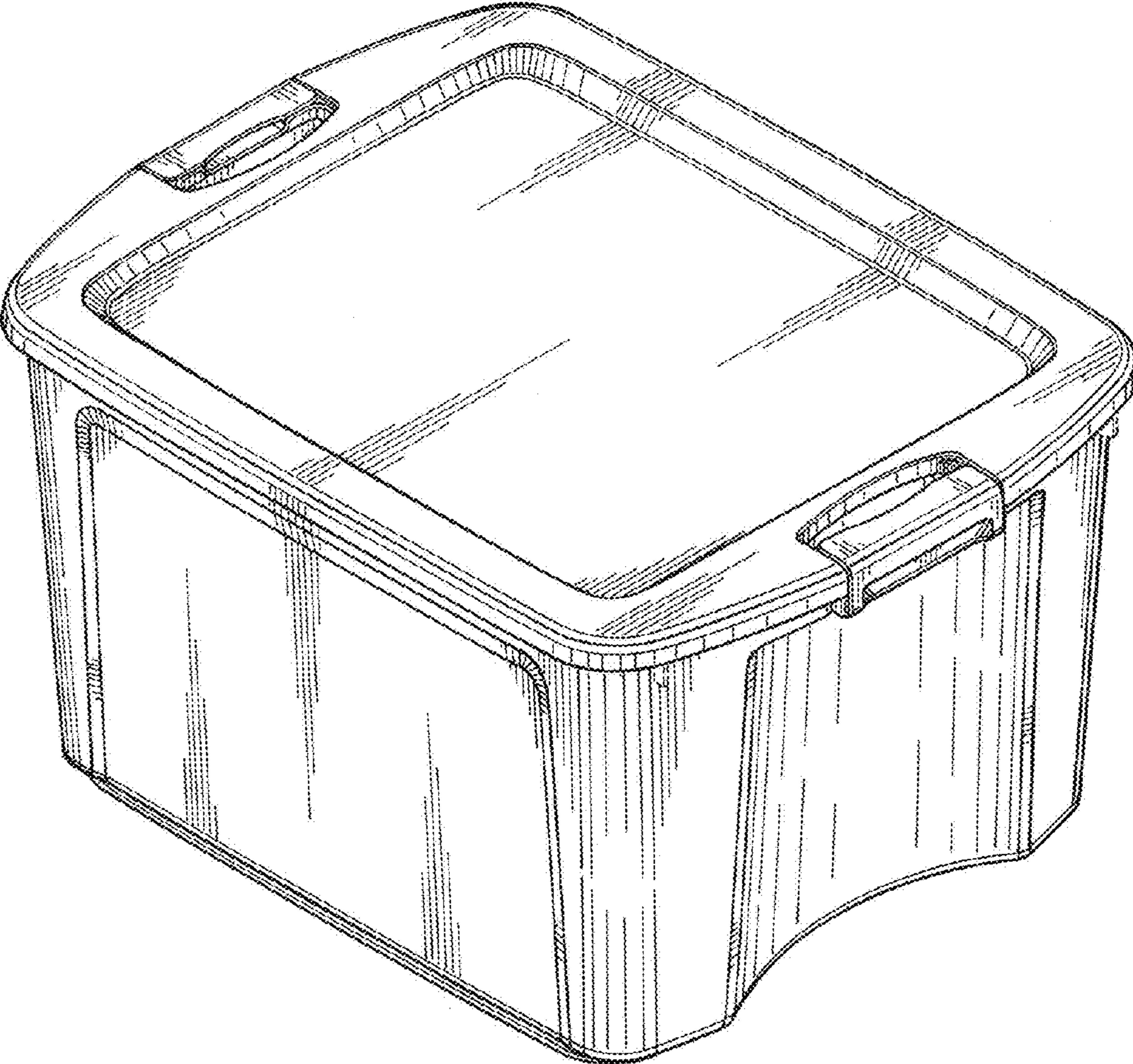


Fig. 1

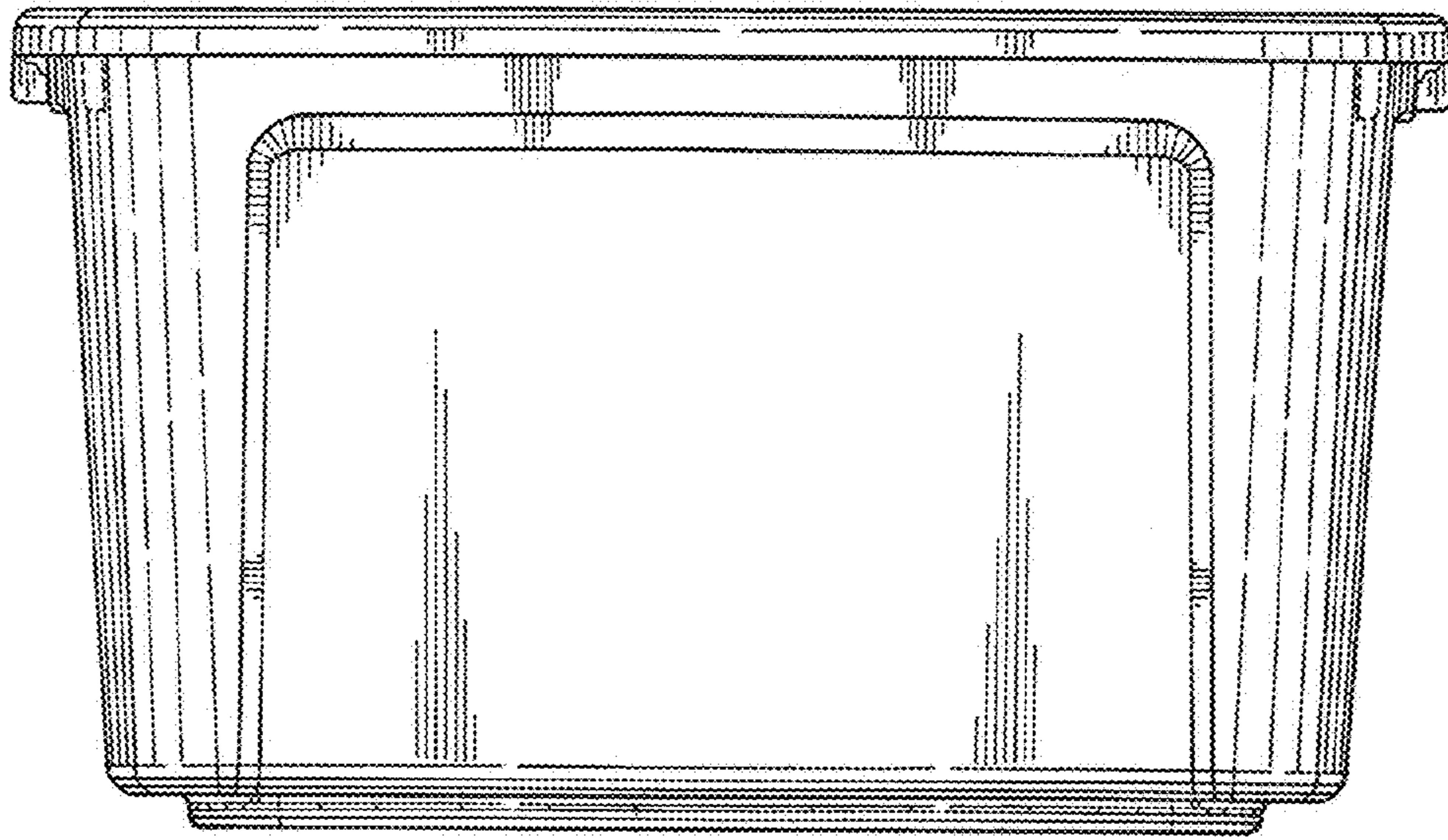


Fig. 2

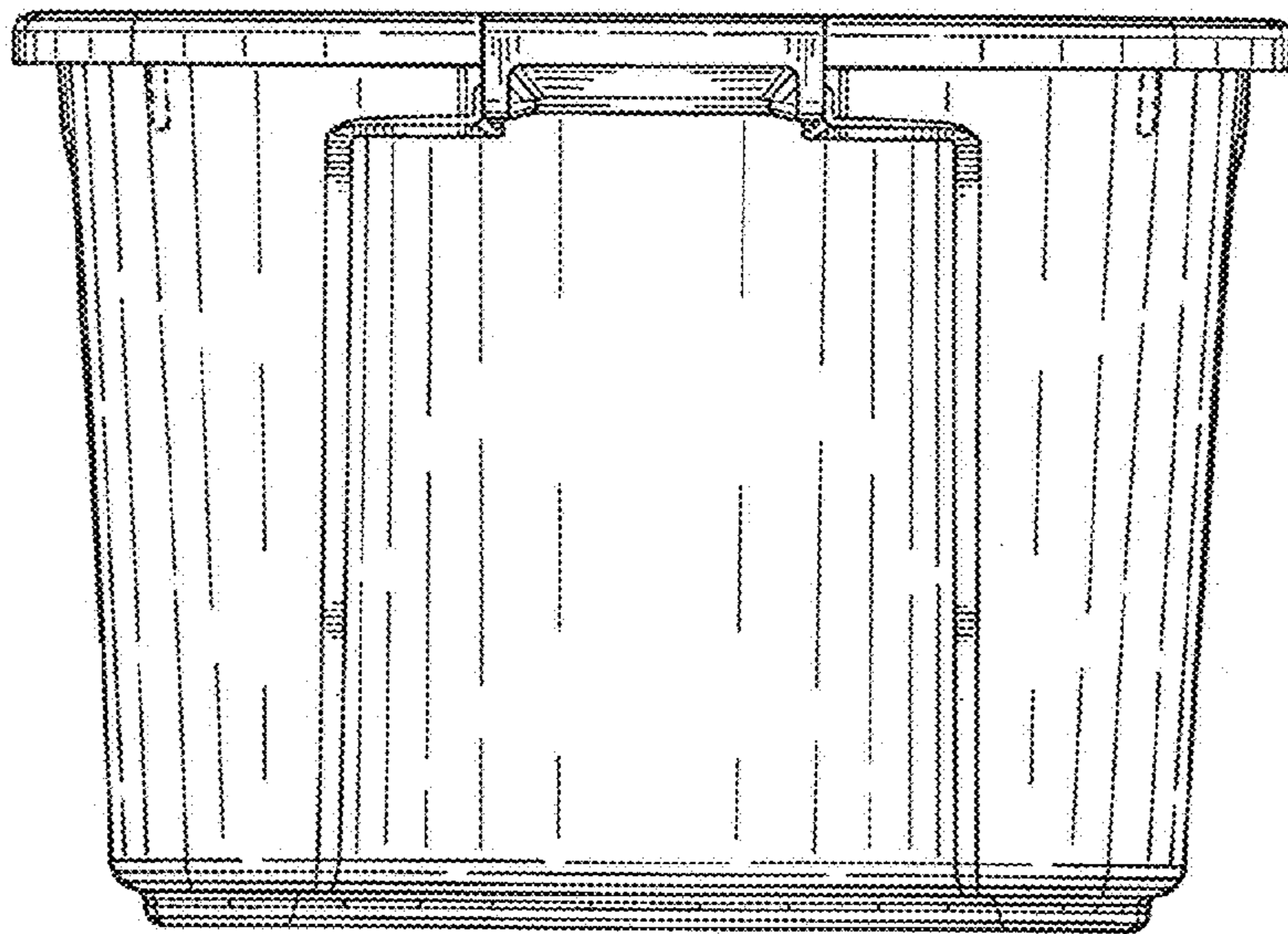


Fig. 3

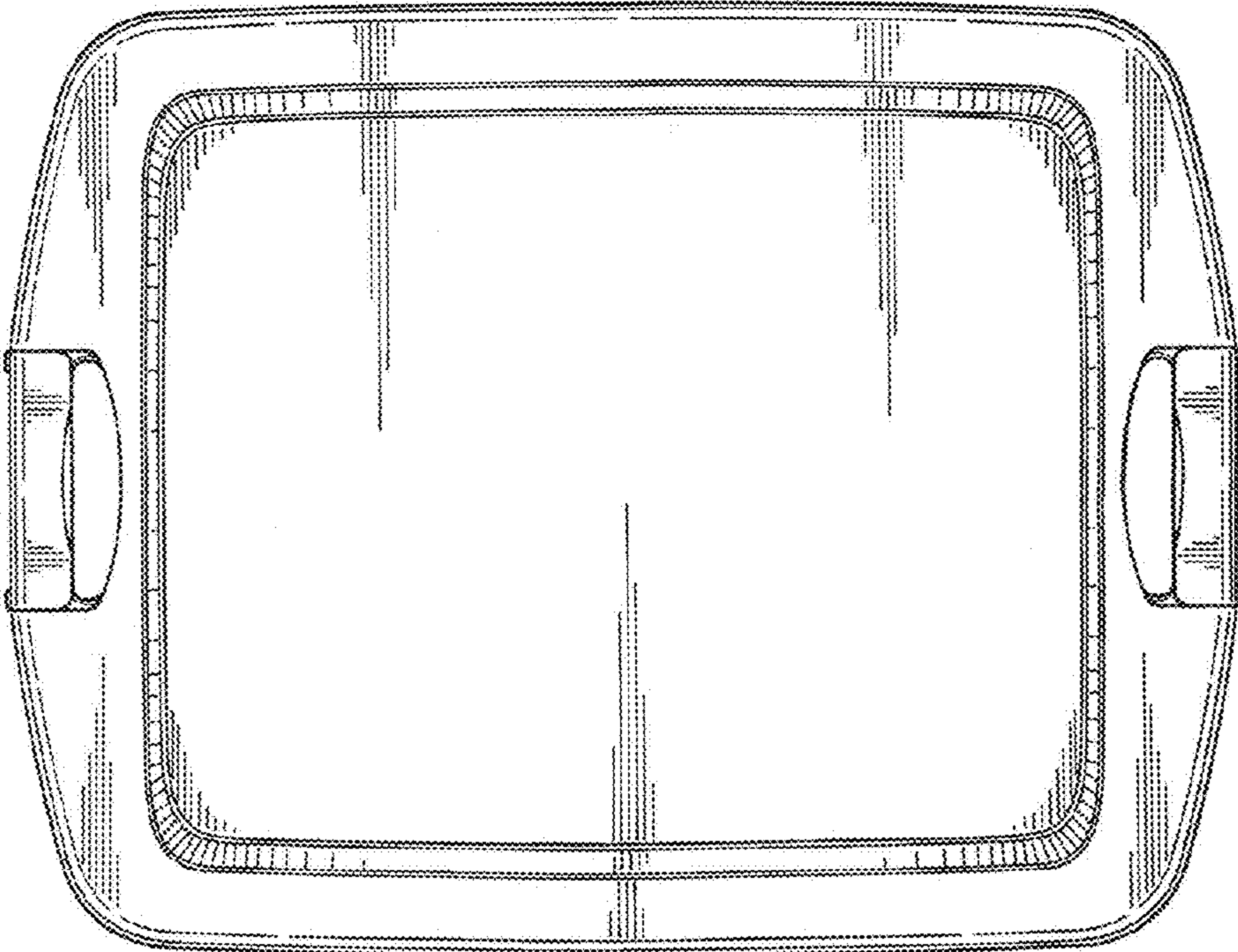


Fig. 4

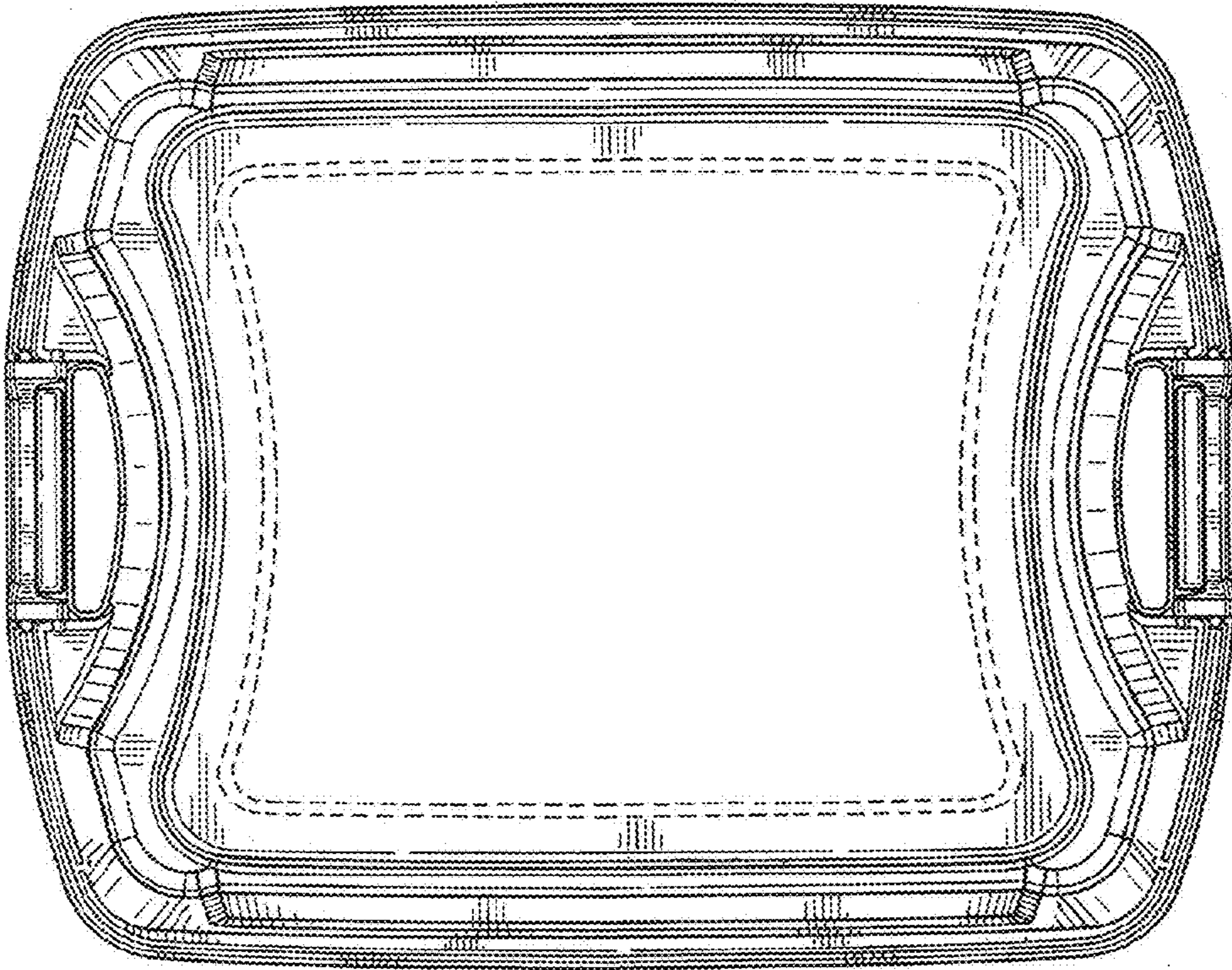


Fig. 5

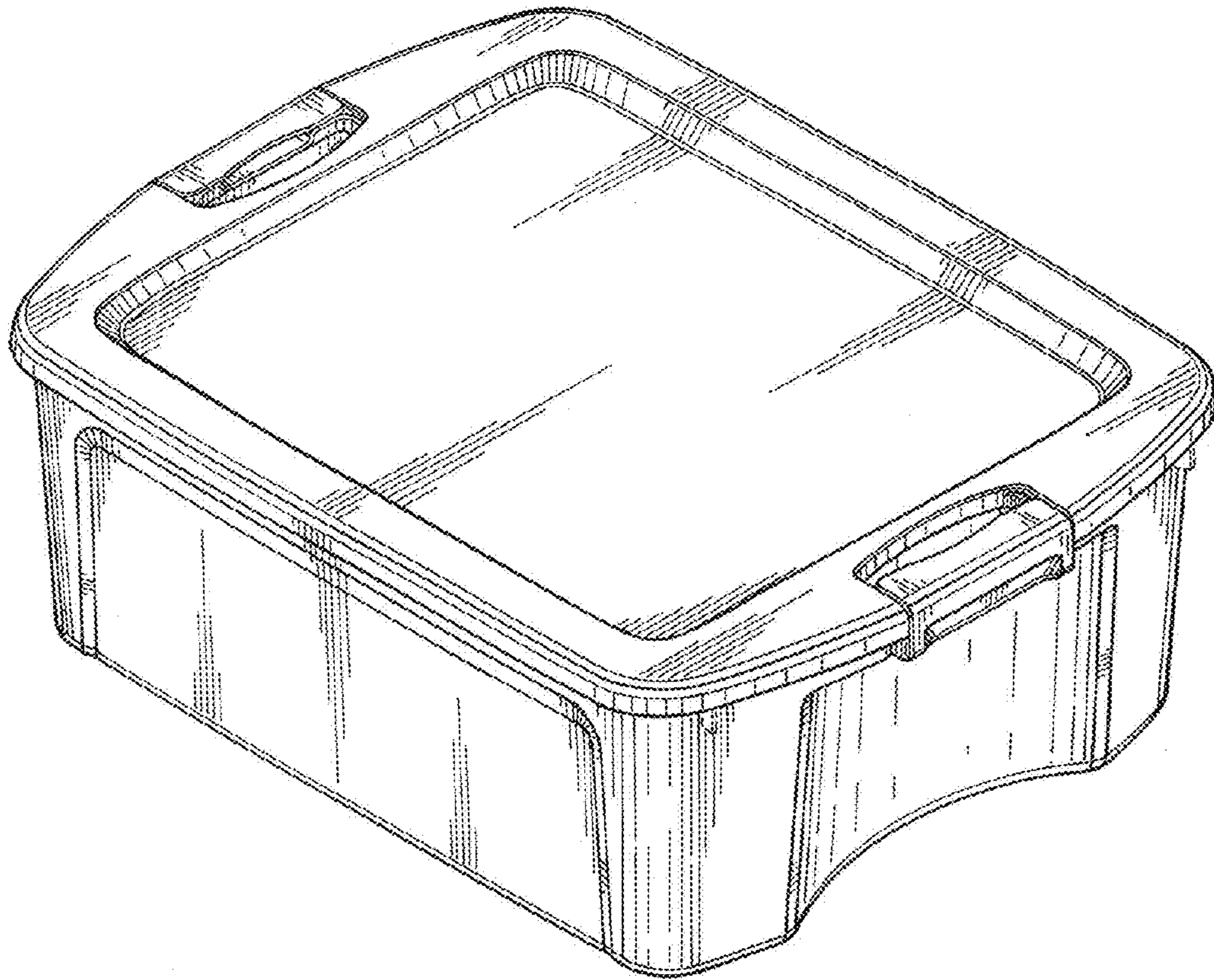


Fig. 6

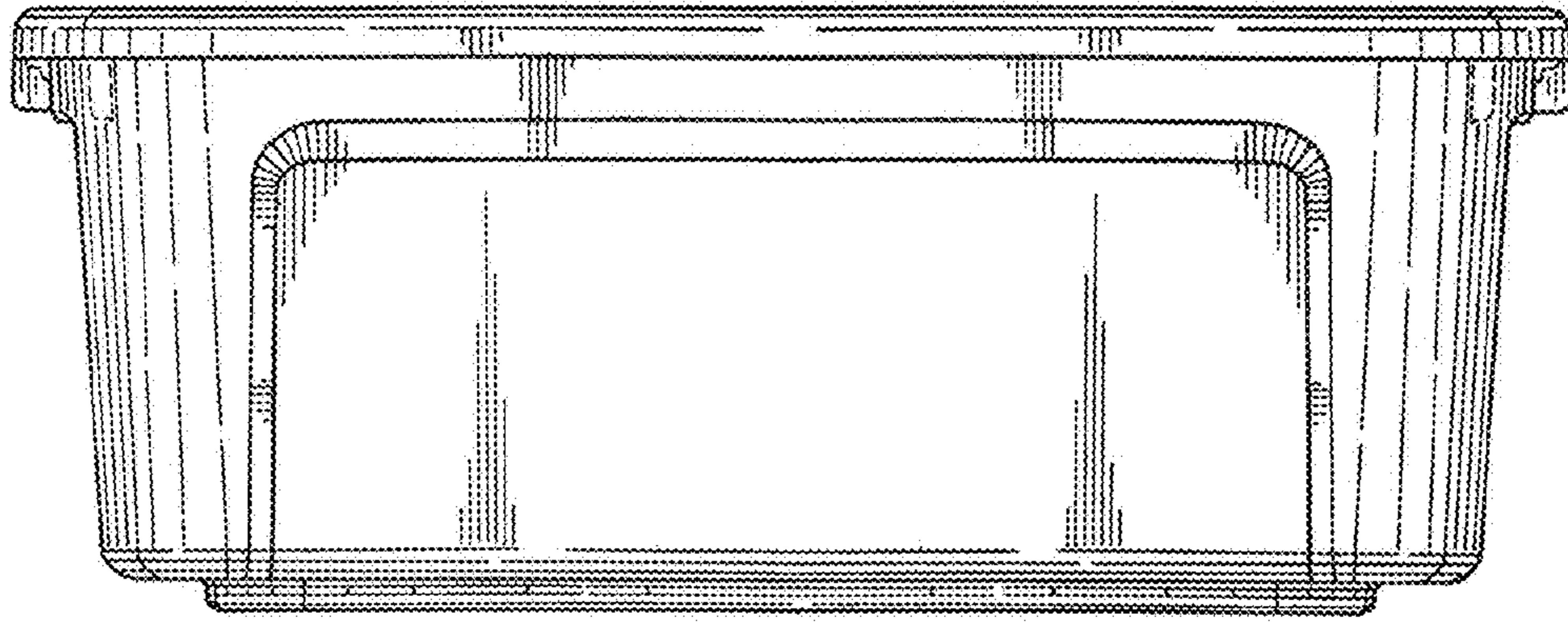


Fig. 7

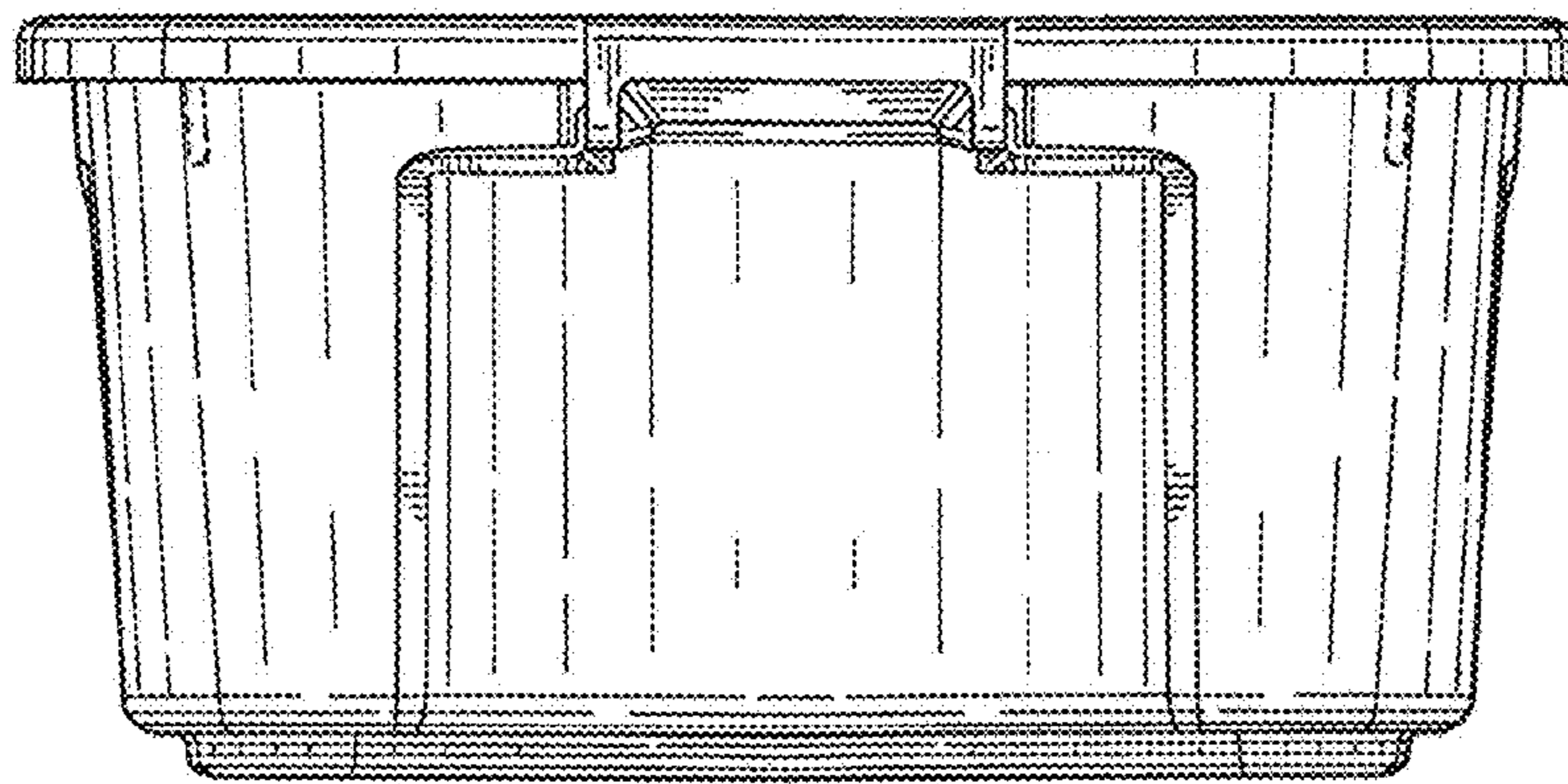


Fig. 8

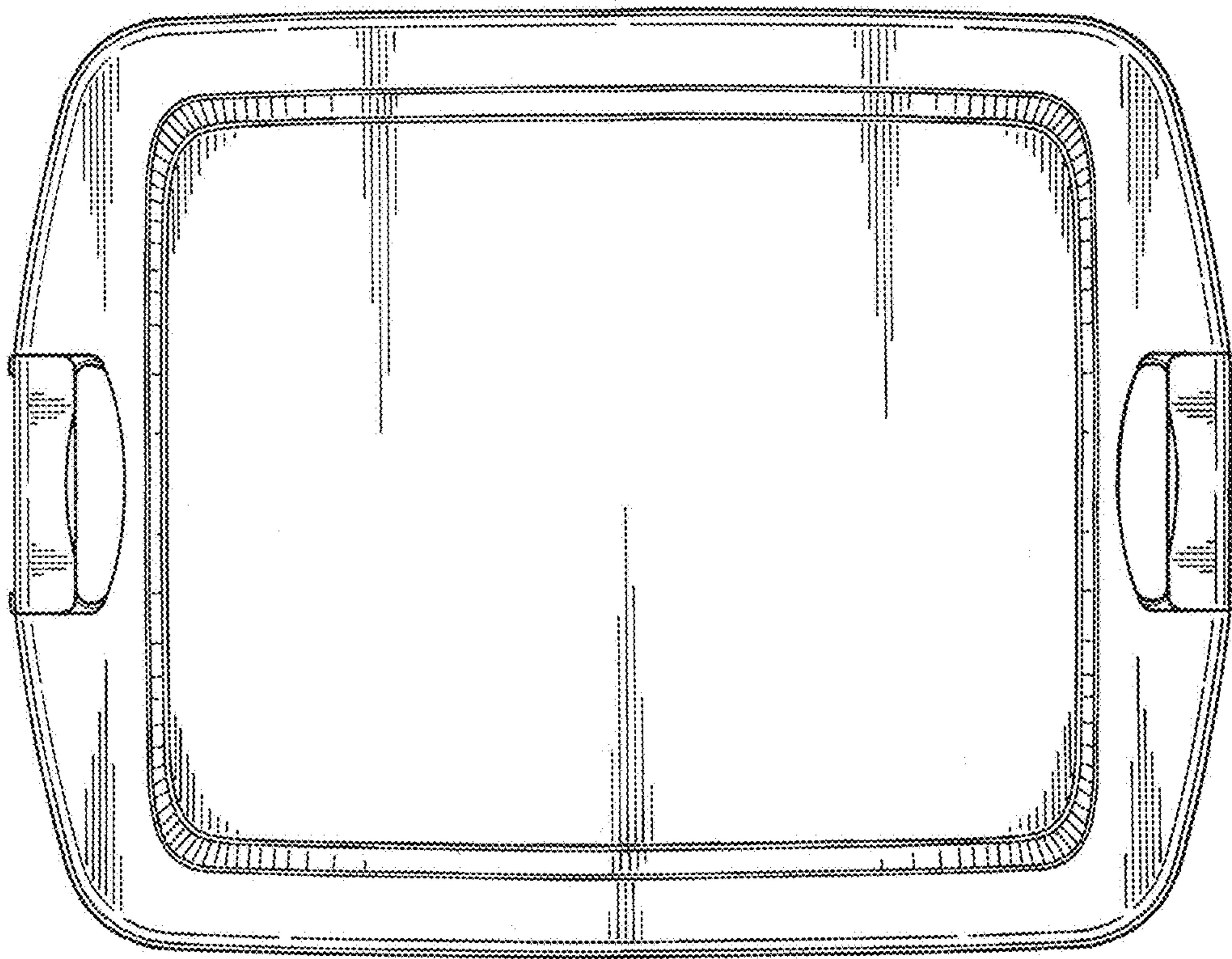


Fig. 9

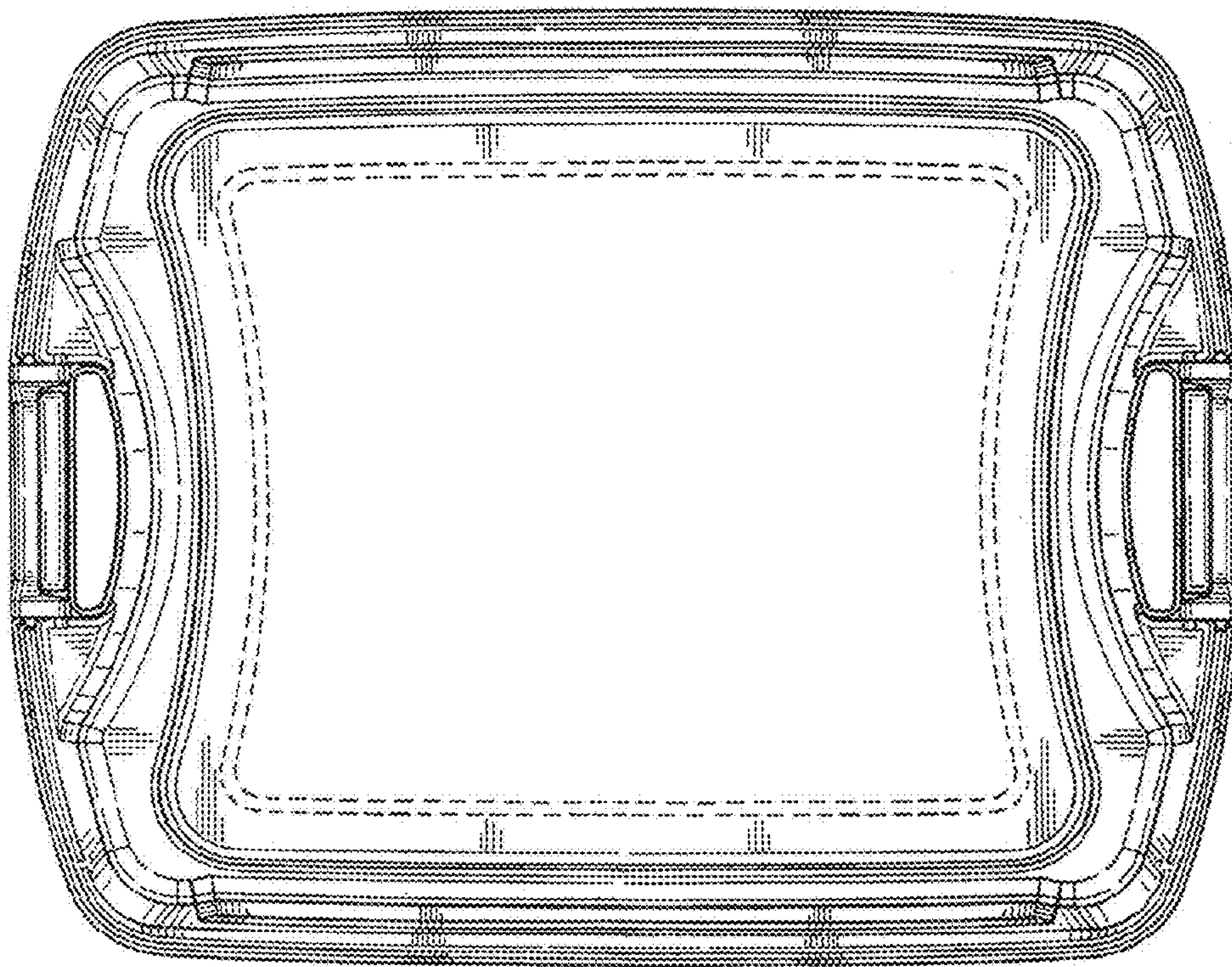


Fig. 10

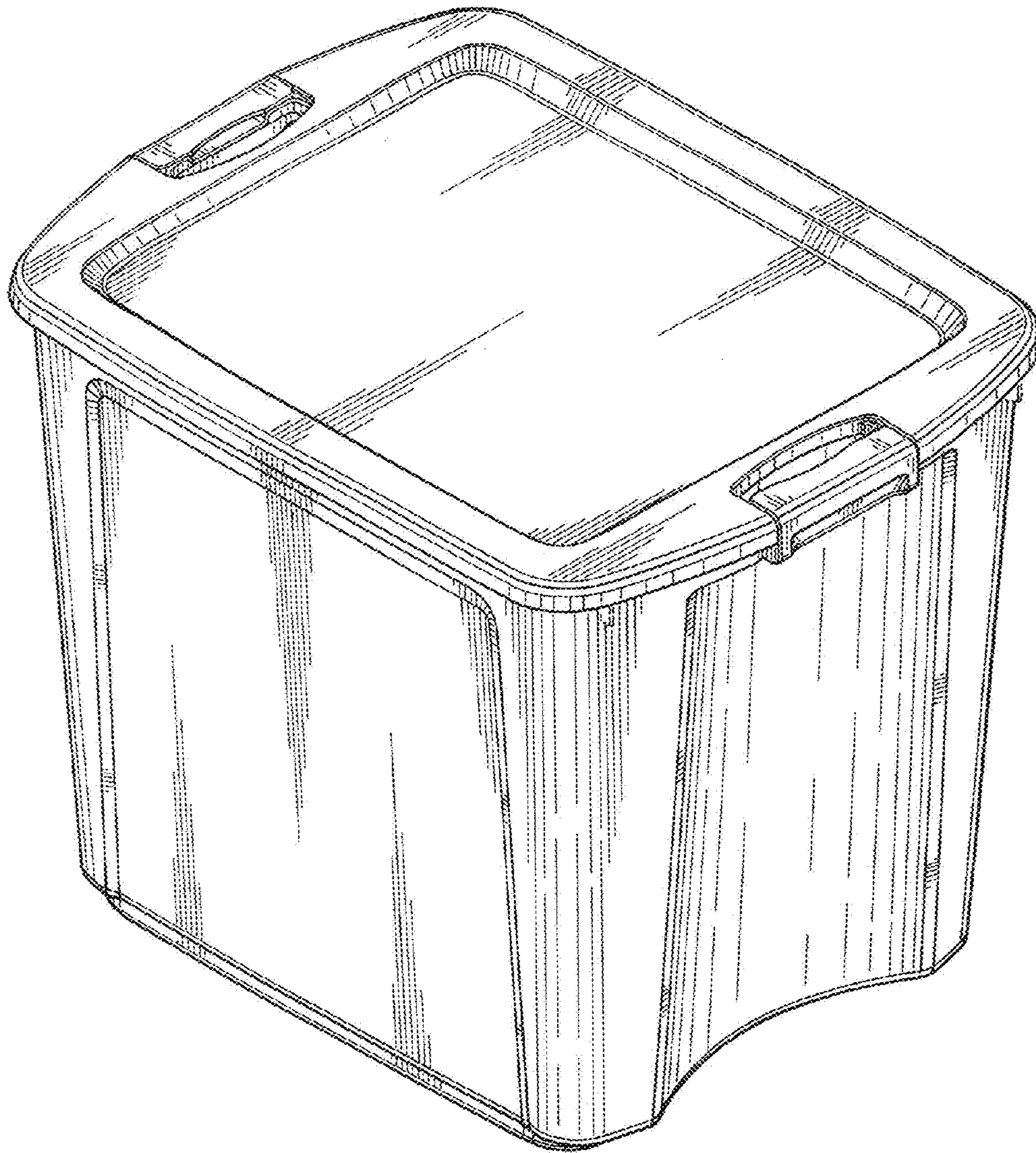


Fig. 11

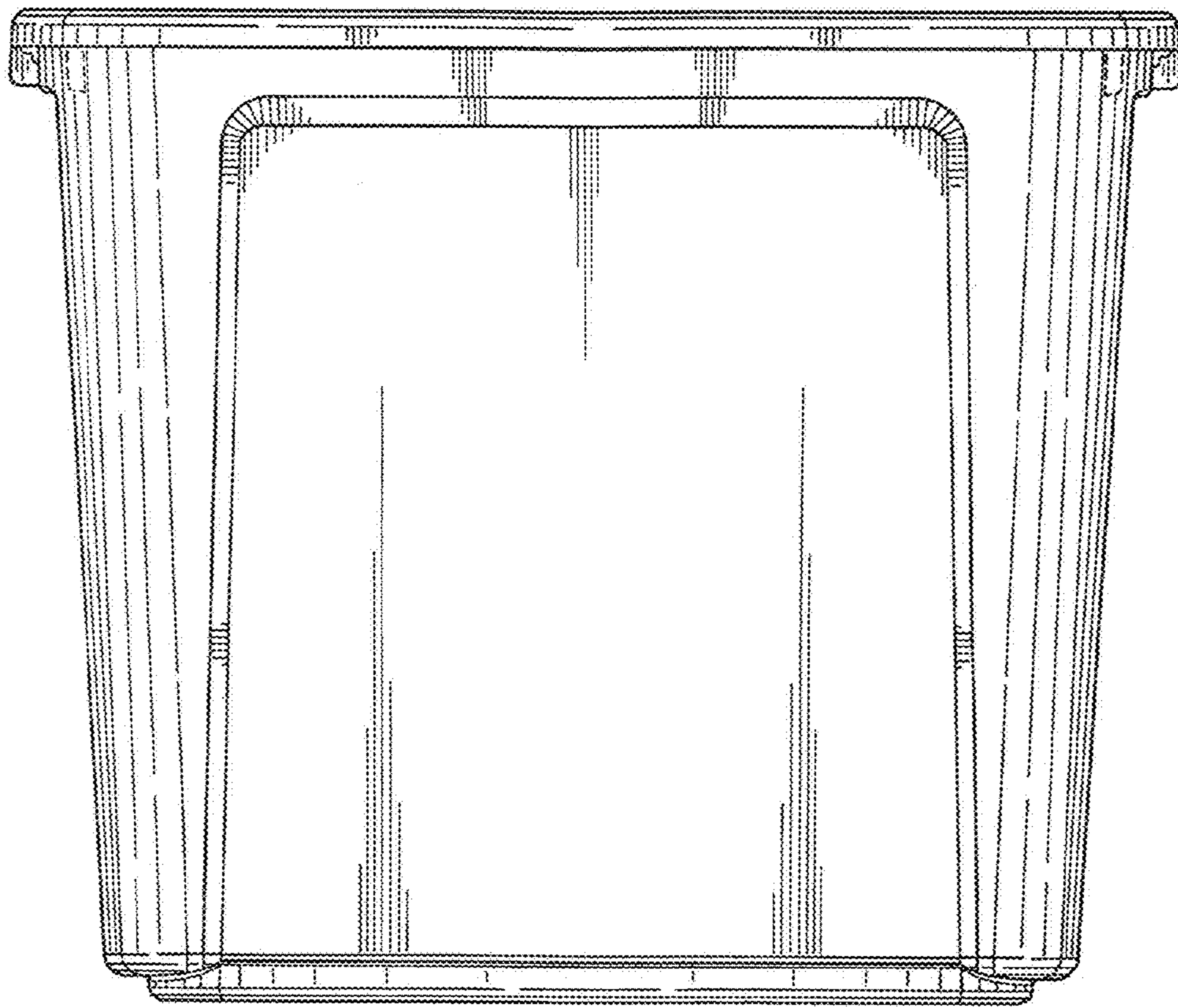


Fig. 12

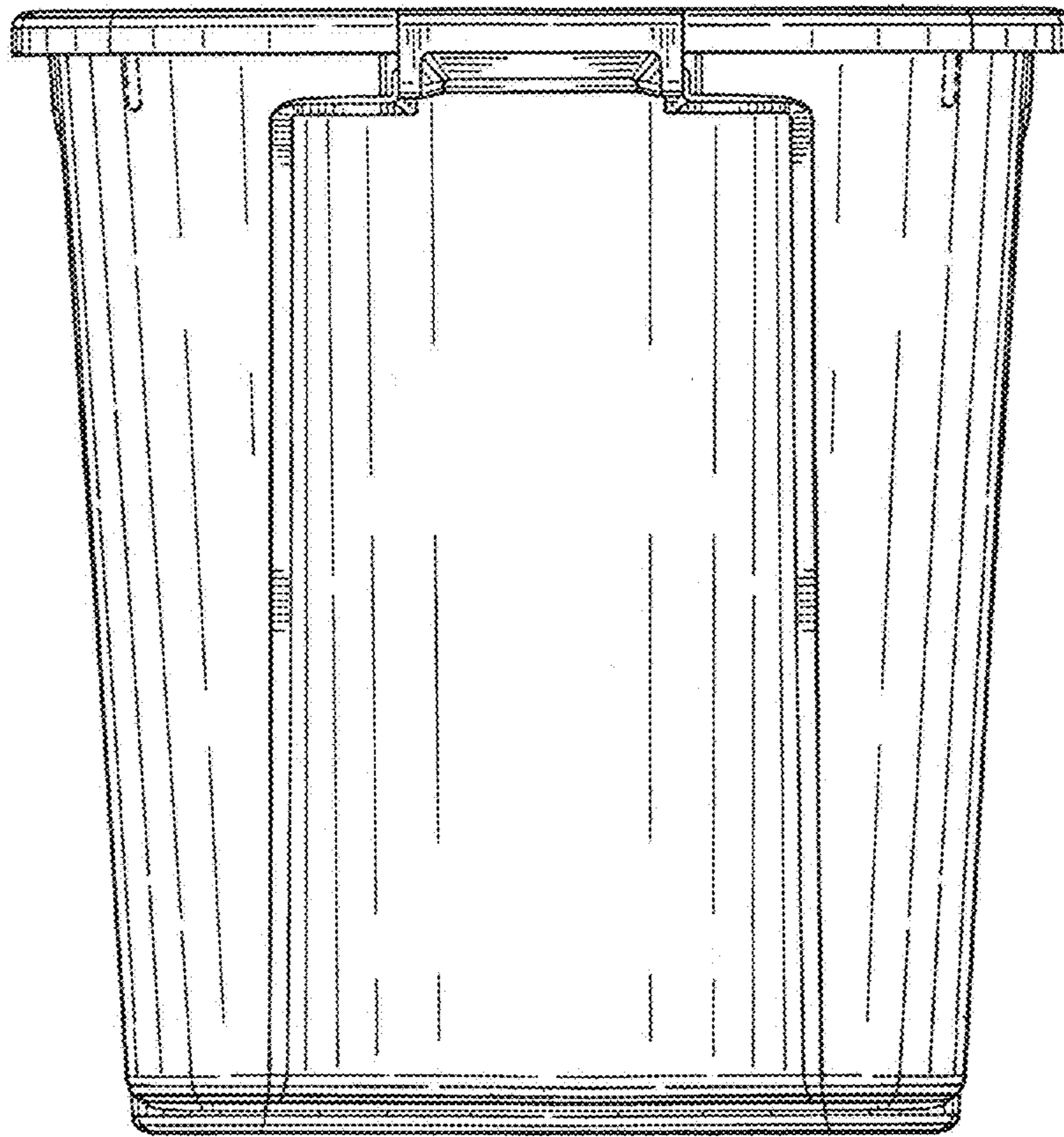


Fig. 13

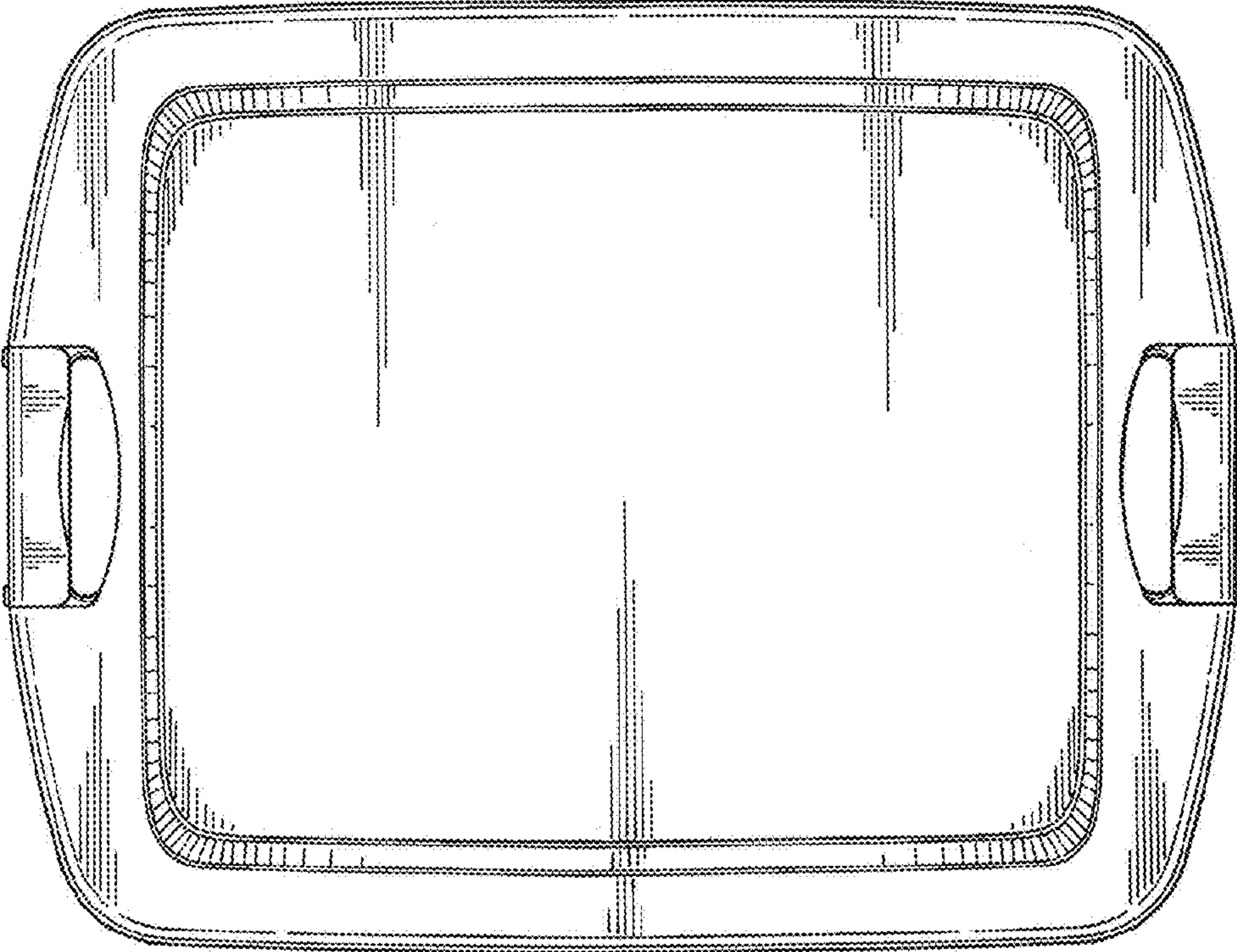


Fig. 14

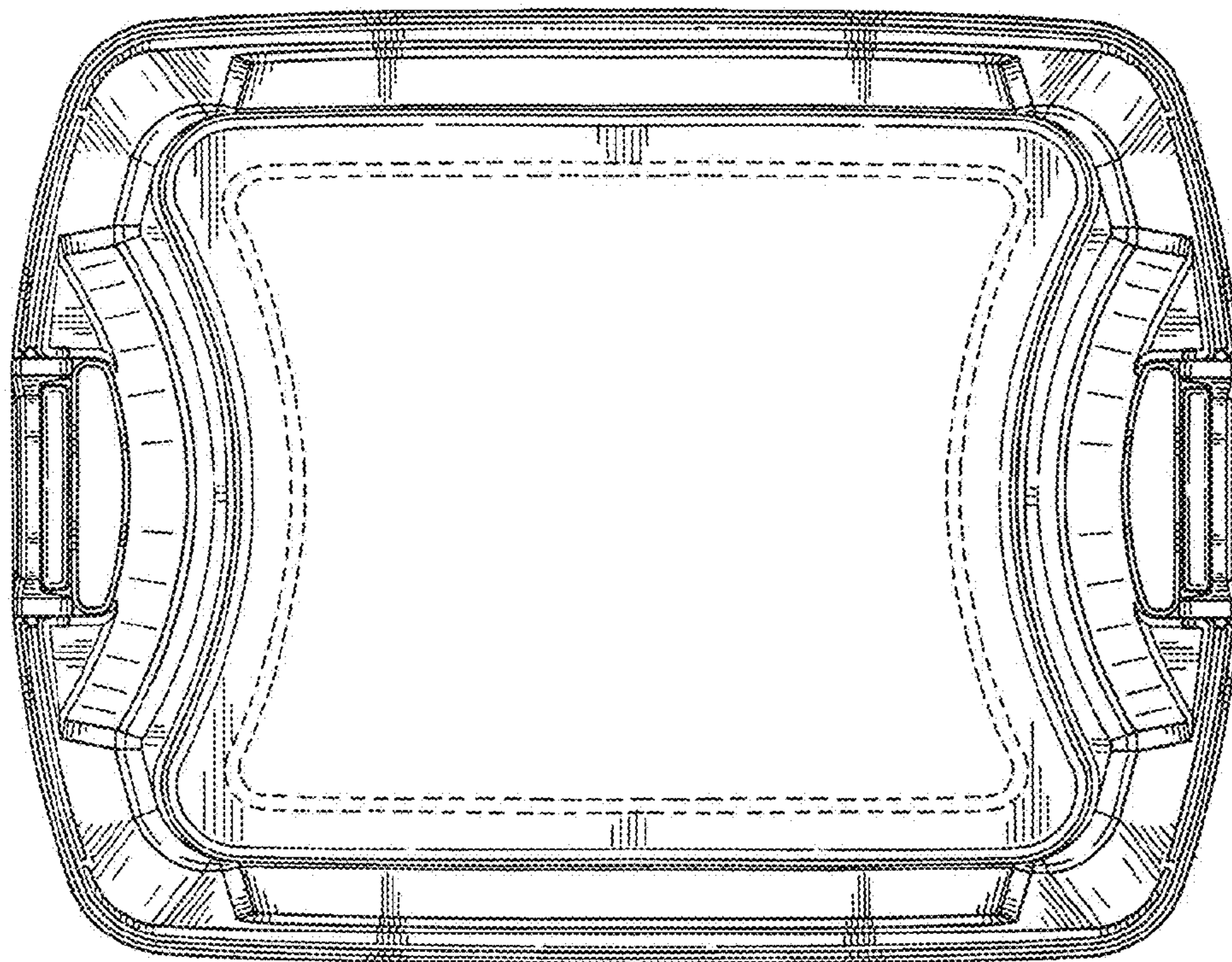


Fig. 15

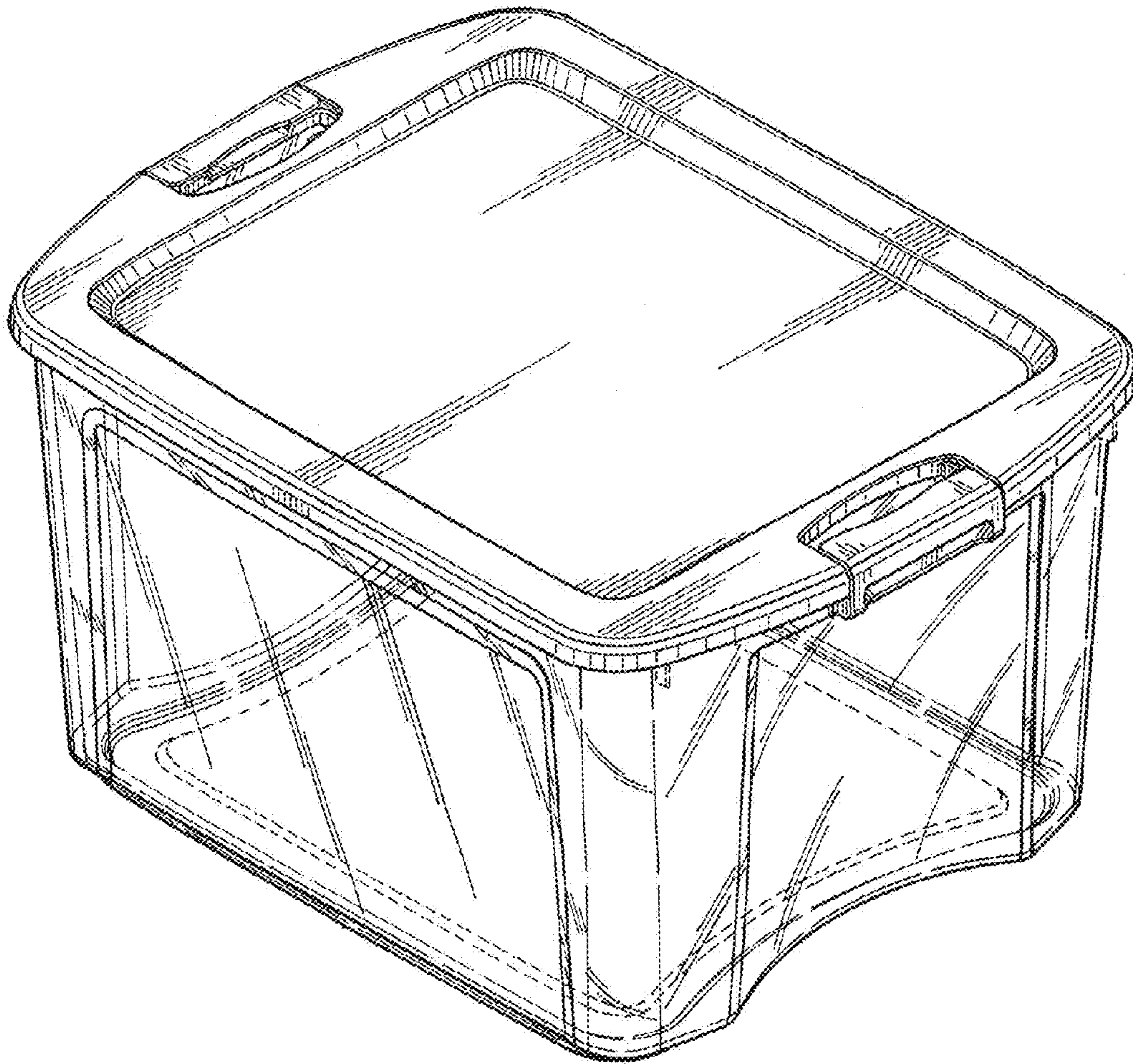


Fig. 16

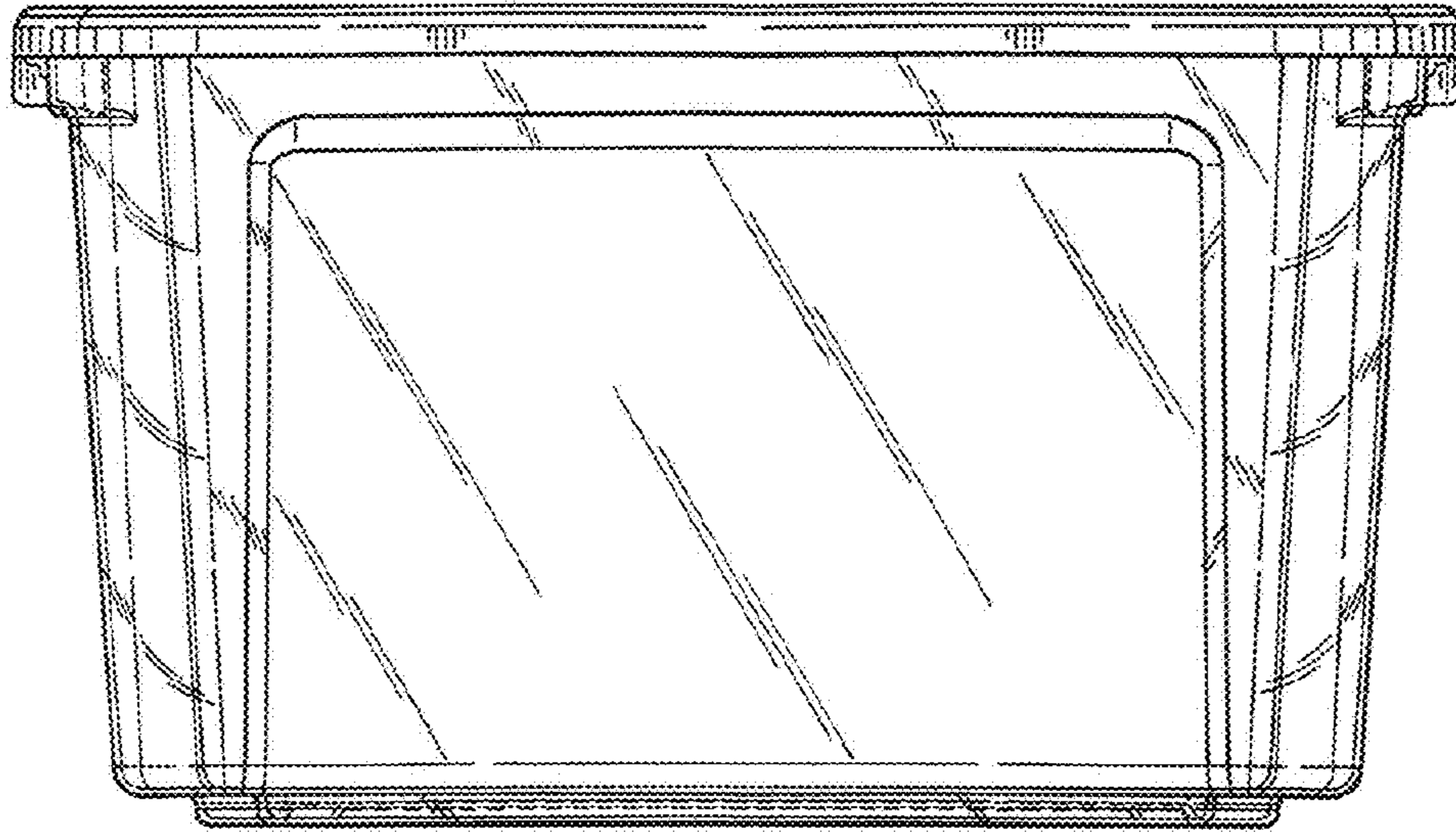


Fig. 17

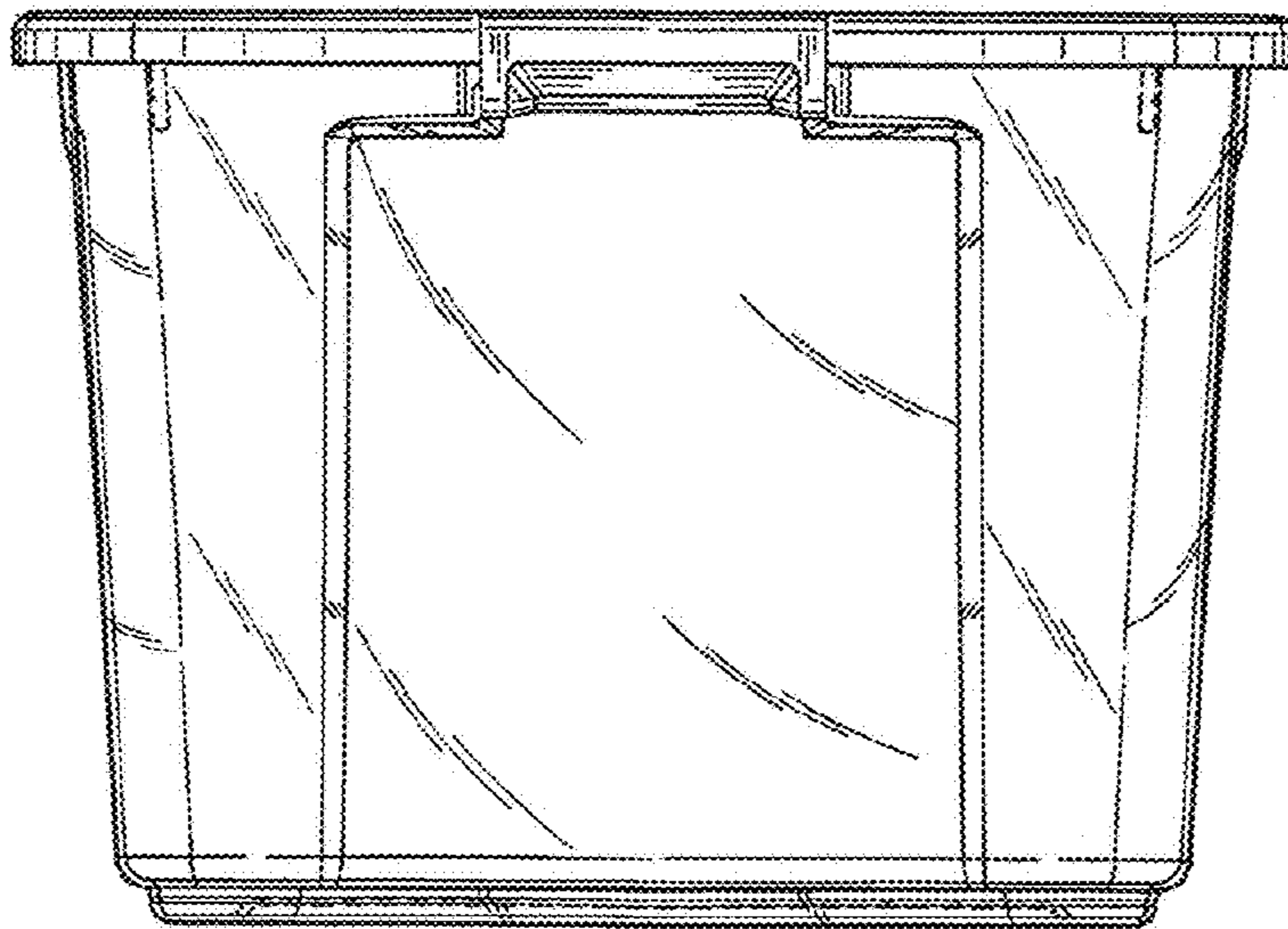


Fig. 18

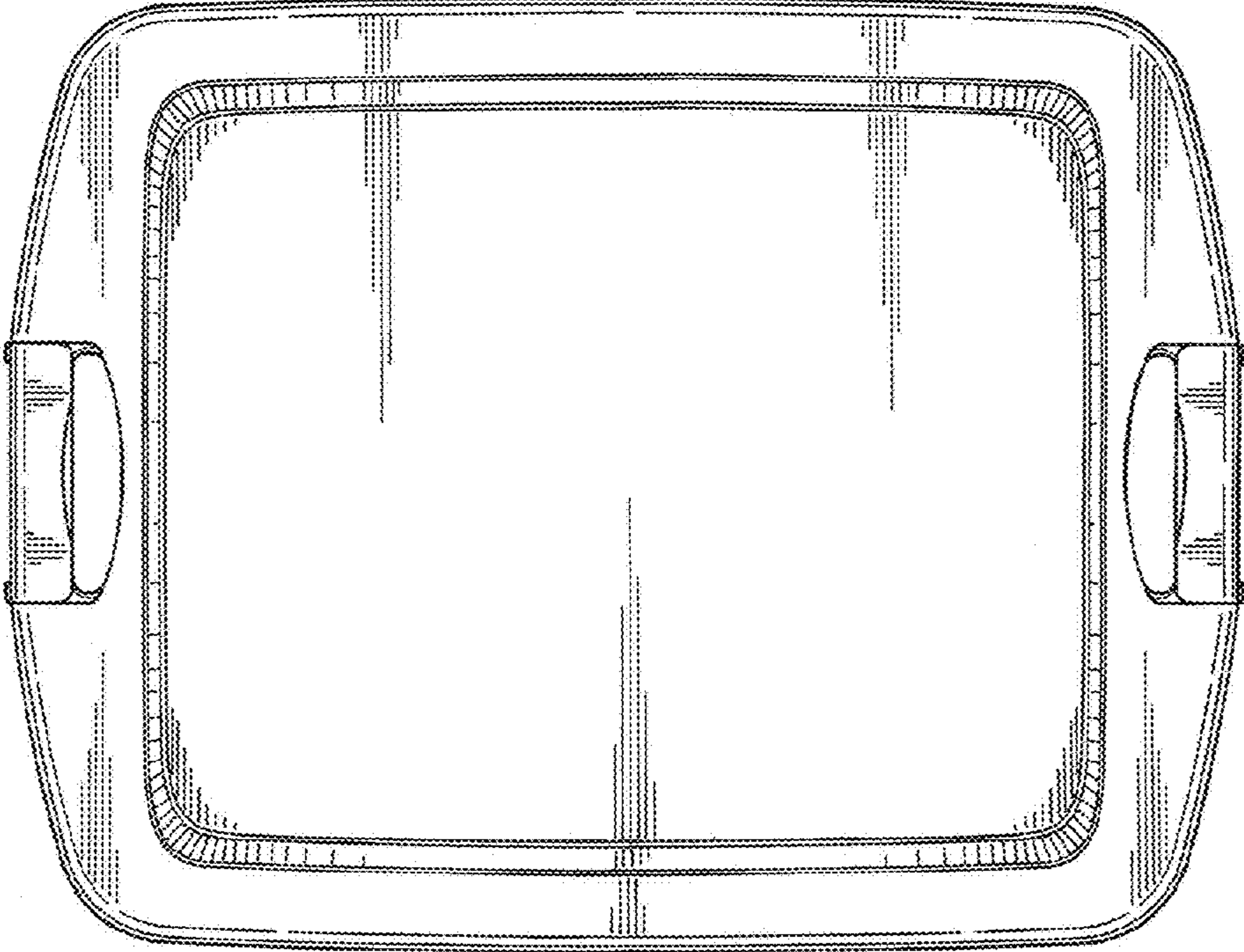


Fig. 19

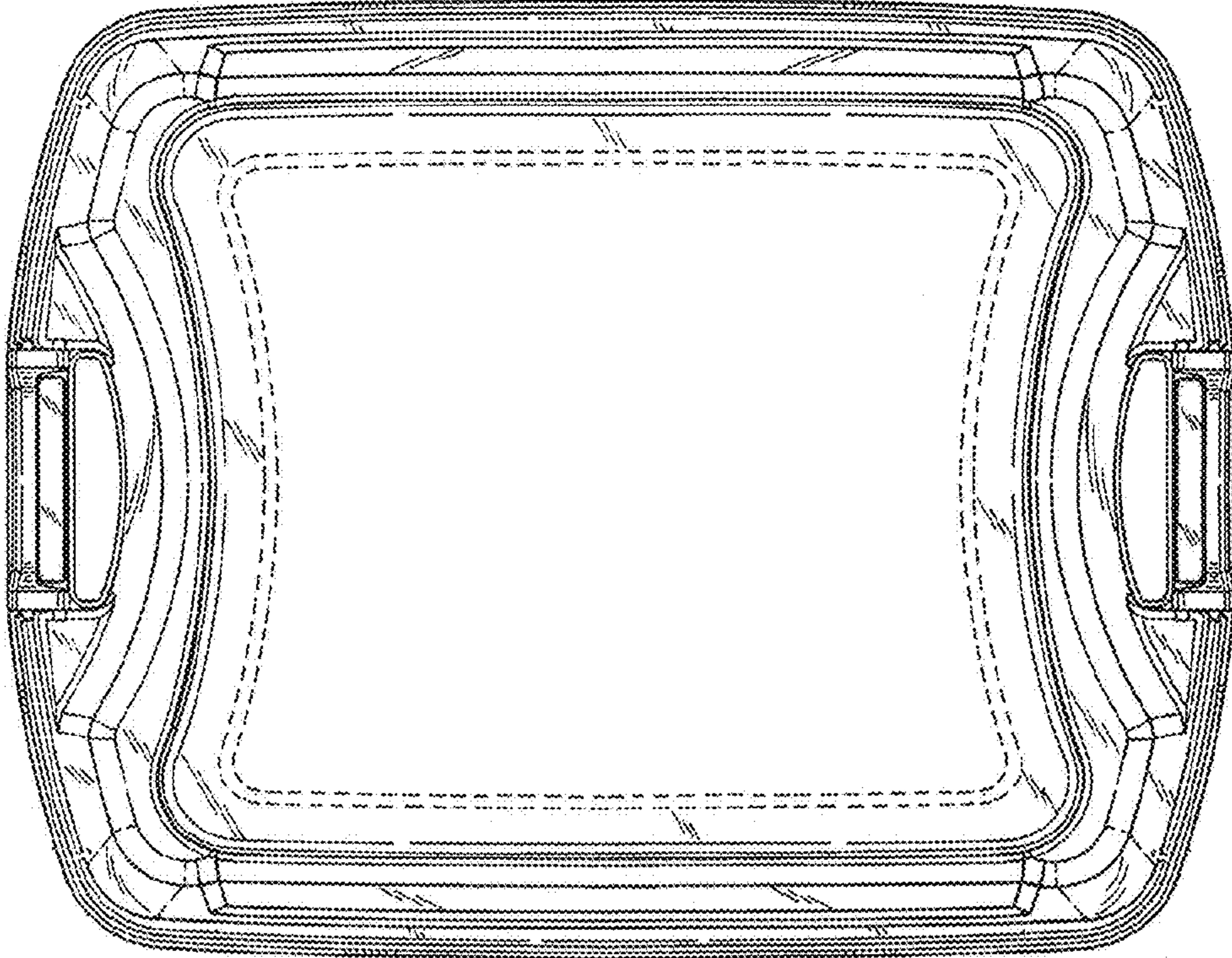


Fig. 20

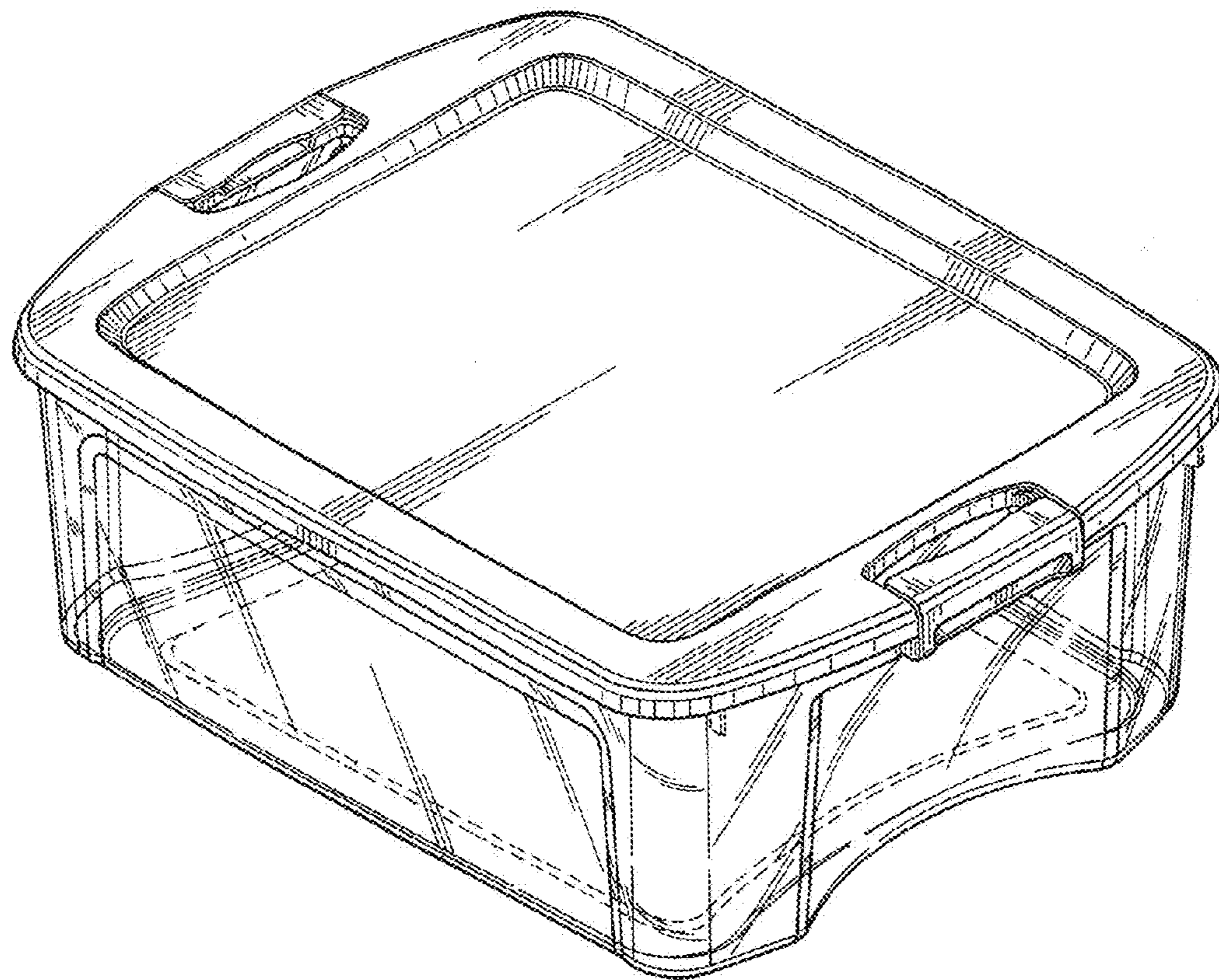


Fig. 21

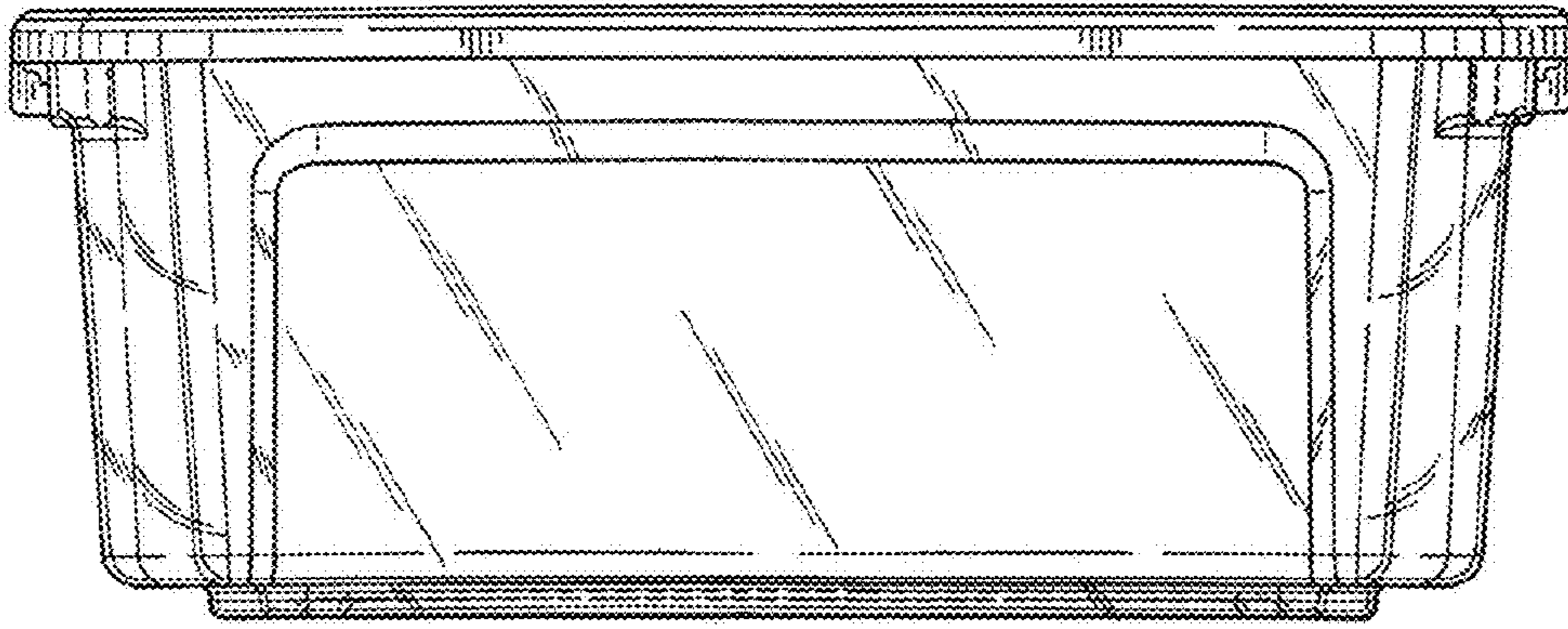


Fig. 22

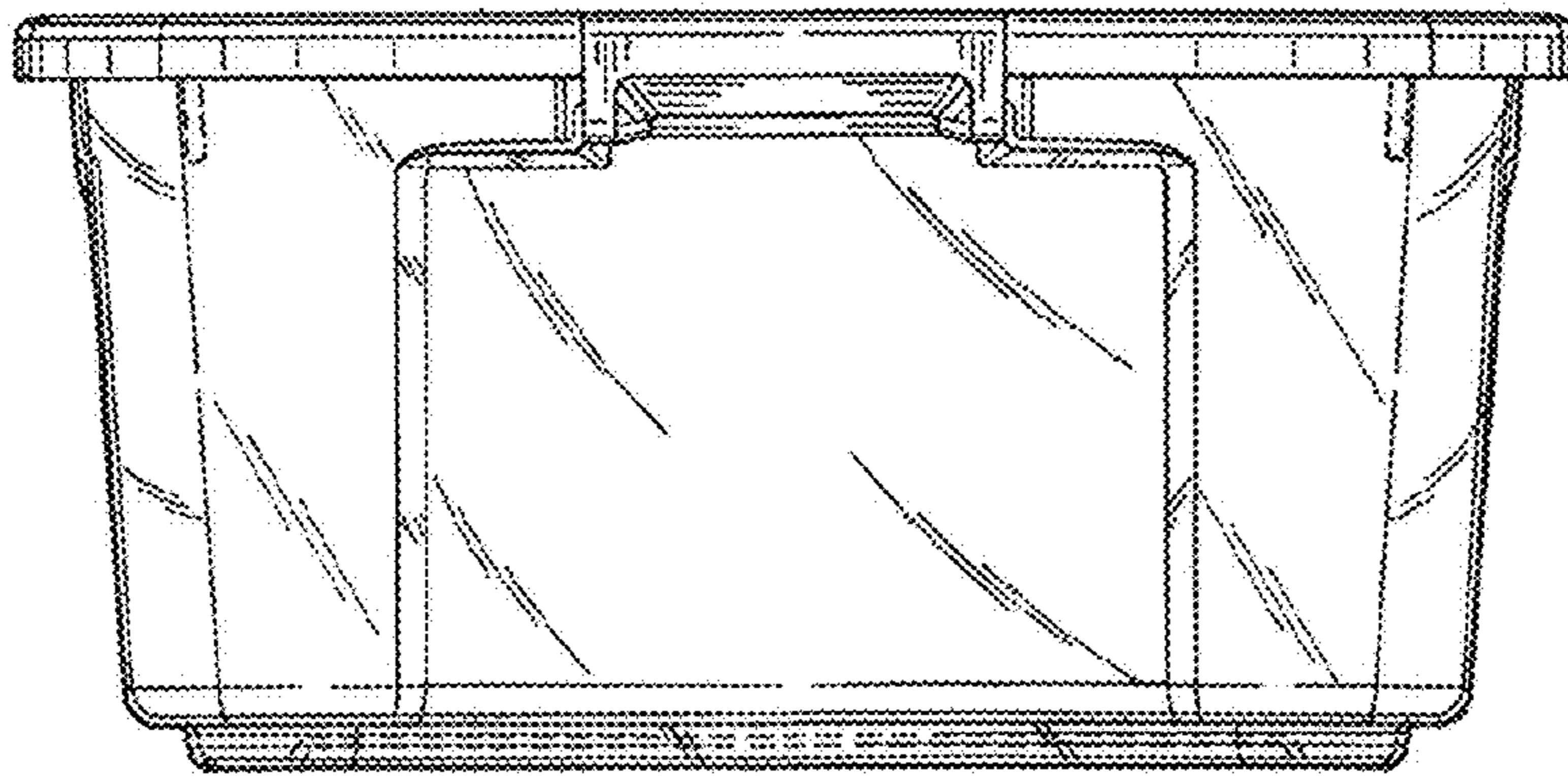


Fig. 23

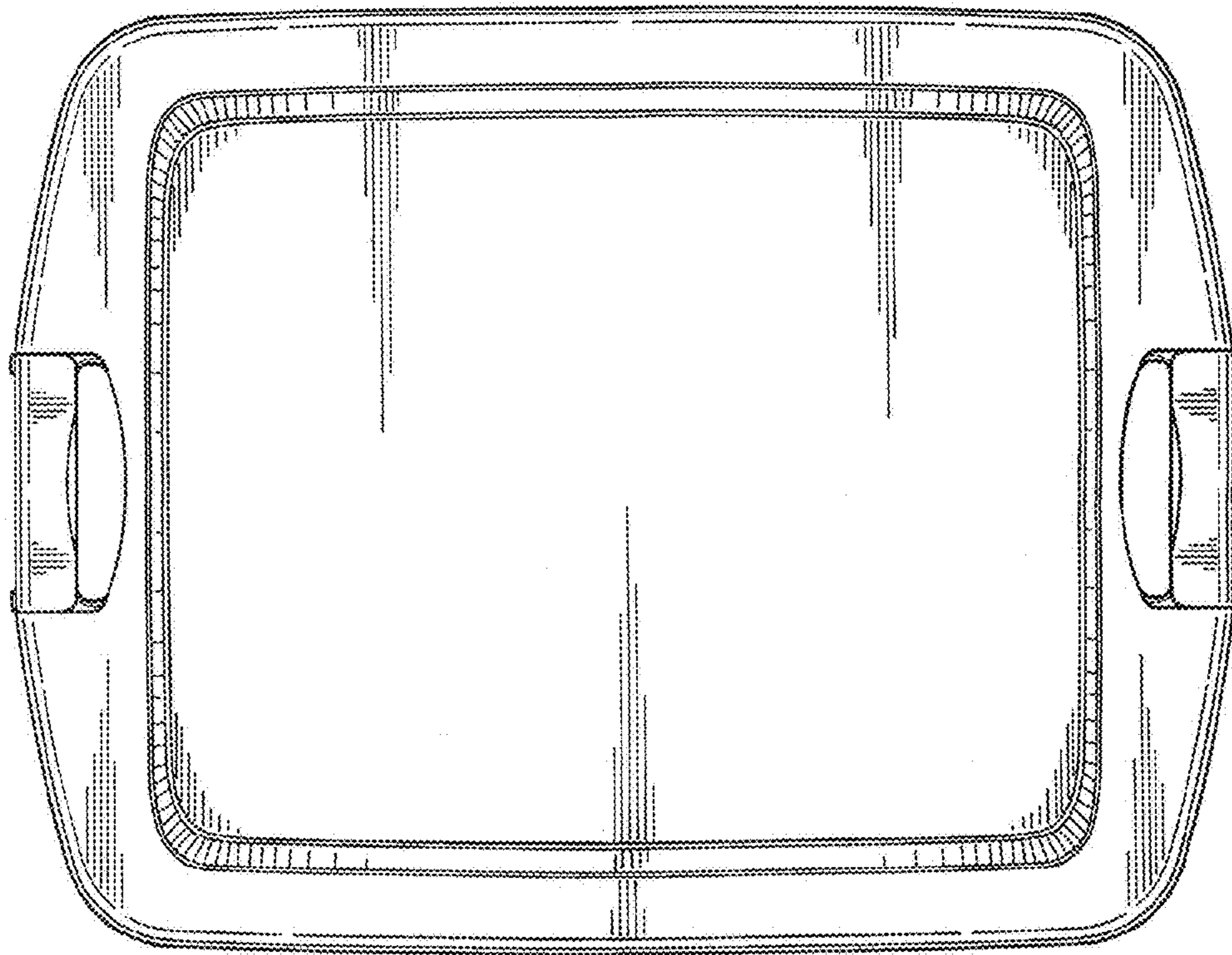


Fig. 24

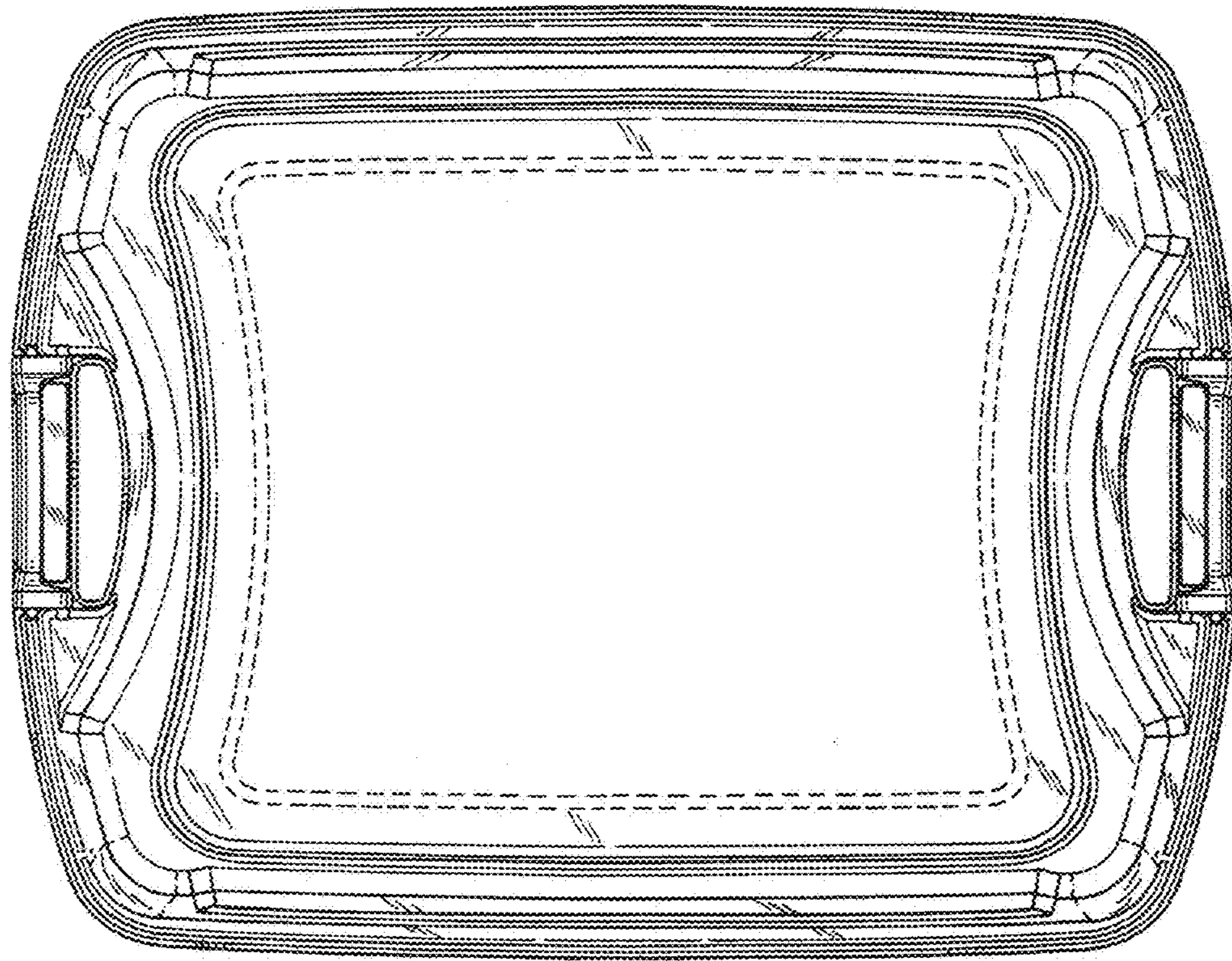


Fig. 25

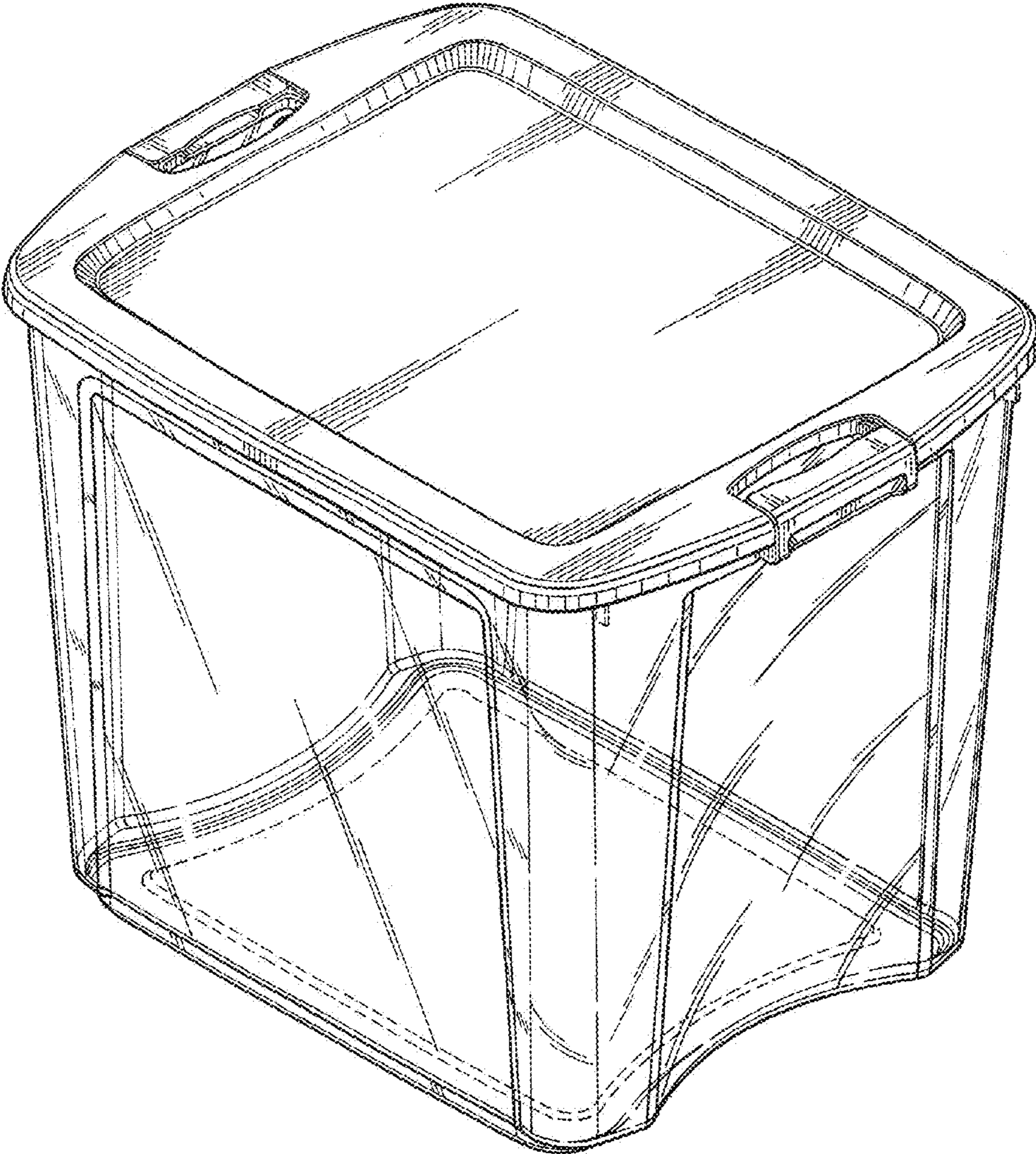


Fig. 26

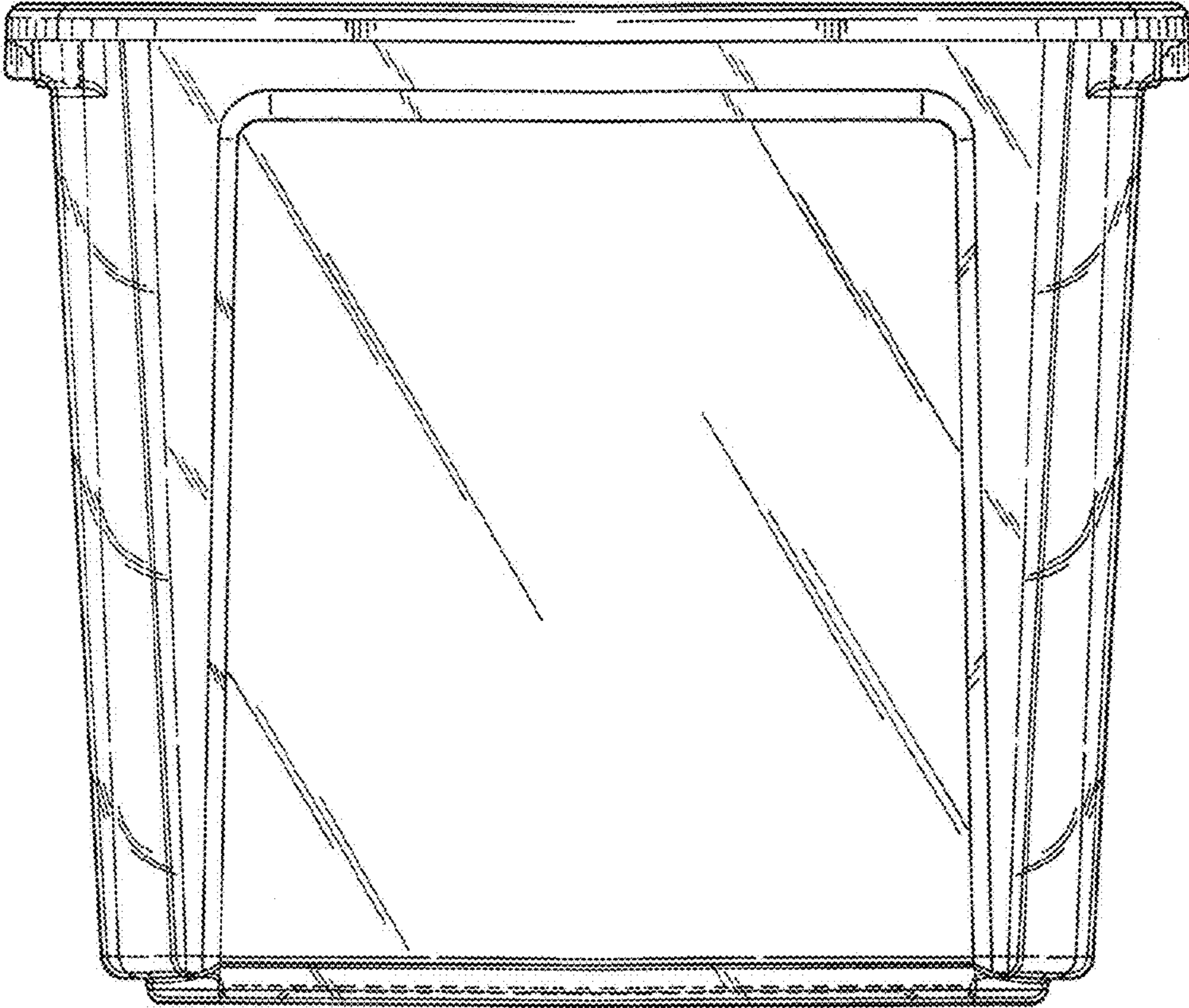


Fig. 27

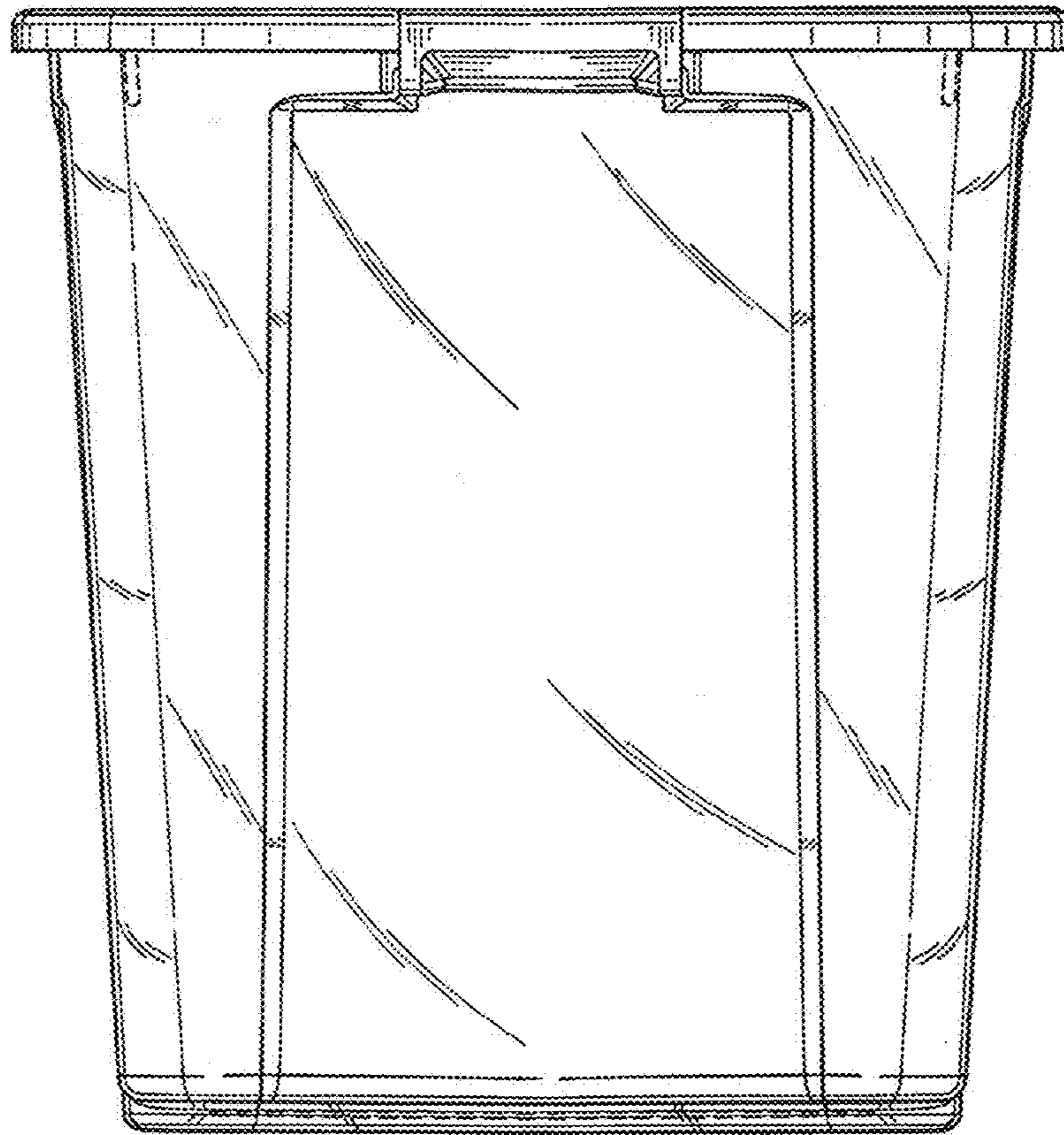


Fig. 28

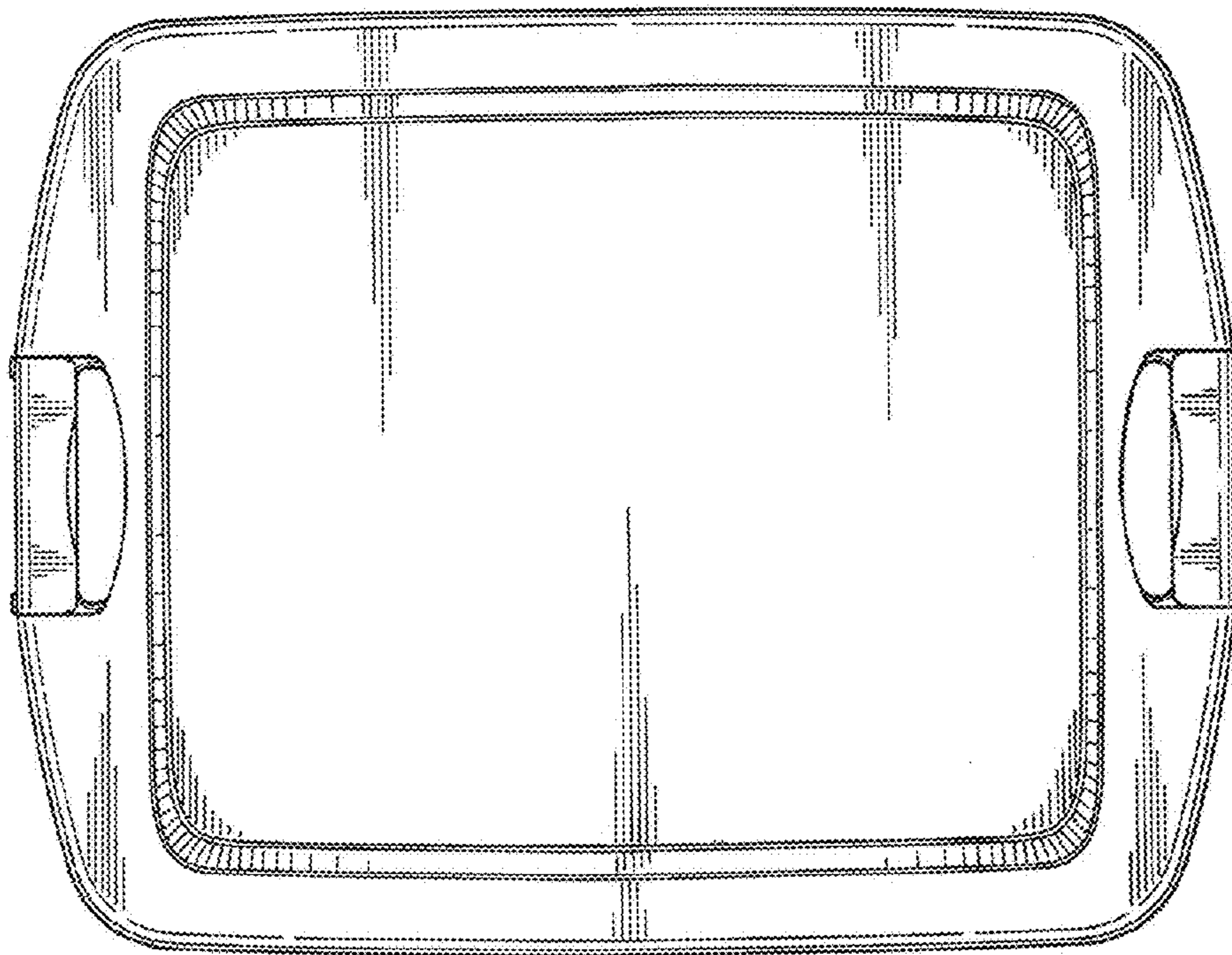


Fig. 29

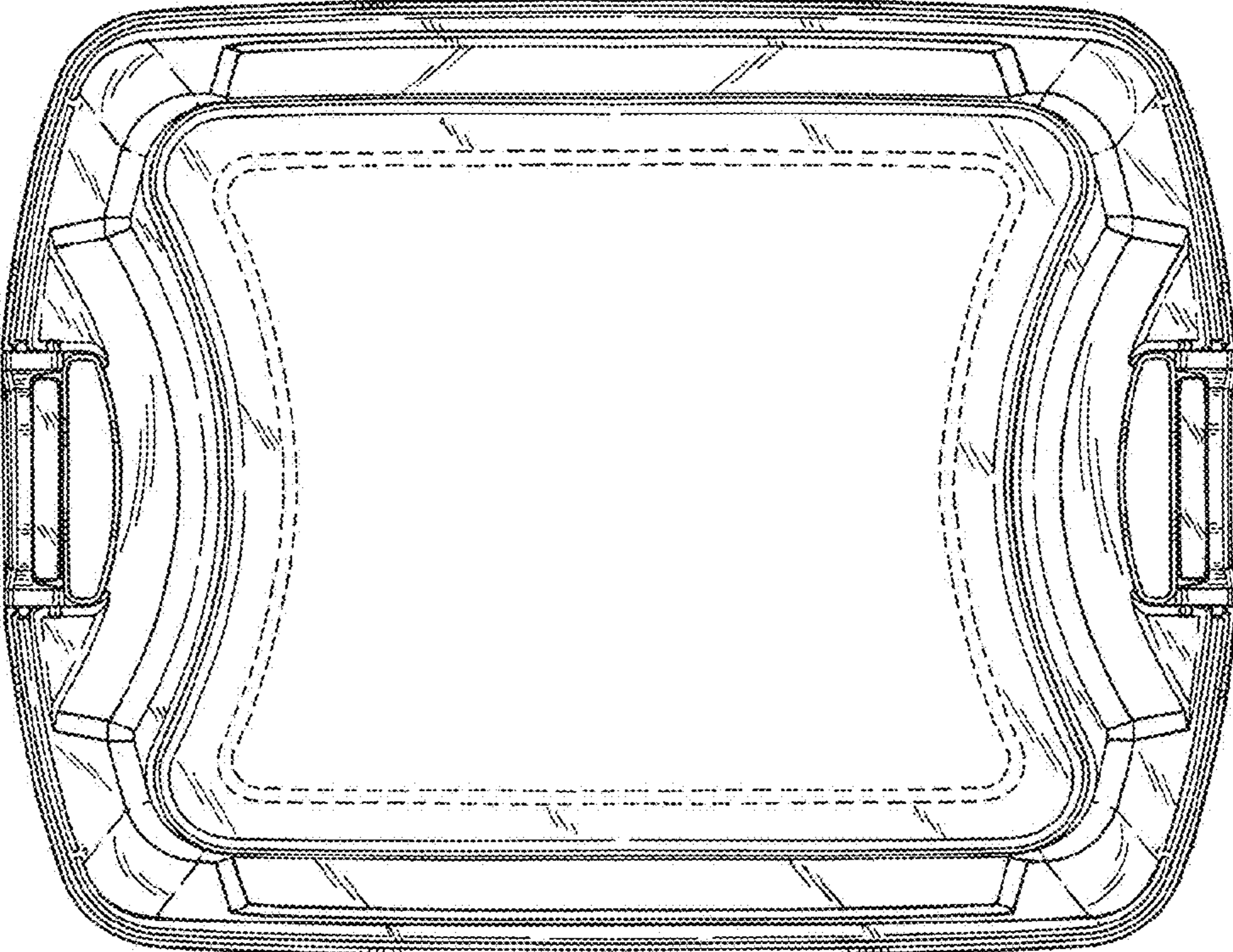


Fig. 30