



US00D738620S

(12) **United States Design Patent**
Schmole

(10) **Patent No.:** **US D738,620 S**

(45) **Date of Patent:** **** Sep. 15, 2015**

(54) **MULTIPURPOSE HOLDER**

(71) Applicant: **Deirdre R. Schmole**, Los Angeles, CA
(US)

(72) Inventor: **Deirdre R. Schmole**, Los Angeles, CA
(US)

(**) Term: **14 Years**

(21) Appl. No.: **29/484,888**

(22) Filed: **Mar. 13, 2014**

(51) **LOC (10) Cl.** **03-01**

(52) **U.S. Cl.**
USPC **D3/249**

(58) **Field of Classification Search**
USPC D3/247, 249-253
CPC B42D 1/00; A45C 11/14; A45C 3/08;
A45C 1/06
See application file for complete search history.

(56) **References Cited**

U.S. PATENT DOCUMENTS

D332,866	S	*	2/1993	Kopel et al.	D3/230
D344,182	S	*	2/1994	Guzman-Rosario	D3/247
5,348,347	A		9/1994	Shink		
D367,167	S		2/1996	Marino et al.		
D390,590	S	*	2/1998	Bedol	D18/2
5,890,052	A		3/1999	Read et al.		
D419,760	S		2/2000	Goodman		
D432,075	S		10/2000	Hassett et al.		
6,390,712	B1		5/2002	Urness		
6,781,522	B2		8/2004	Sleva et al.		

7,055,564	B2	*	6/2006	Carey et al.	150/113
D543,359	S	*	5/2007	Suppangig	D3/299
7,353,938	B2		4/2008	Moldolan		
D577,191	S		9/2008	Moldovan		
D650,581	S	*	12/2011	Wallace et al.	D3/247
2005/0121121	A1		6/2005	Wang		

FOREIGN PATENT DOCUMENTS

JP 2004249035 A 9/2004

* cited by examiner

Primary Examiner — Holly Baynham

(74) *Attorney, Agent, or Firm* — Thomas I. Rozsa

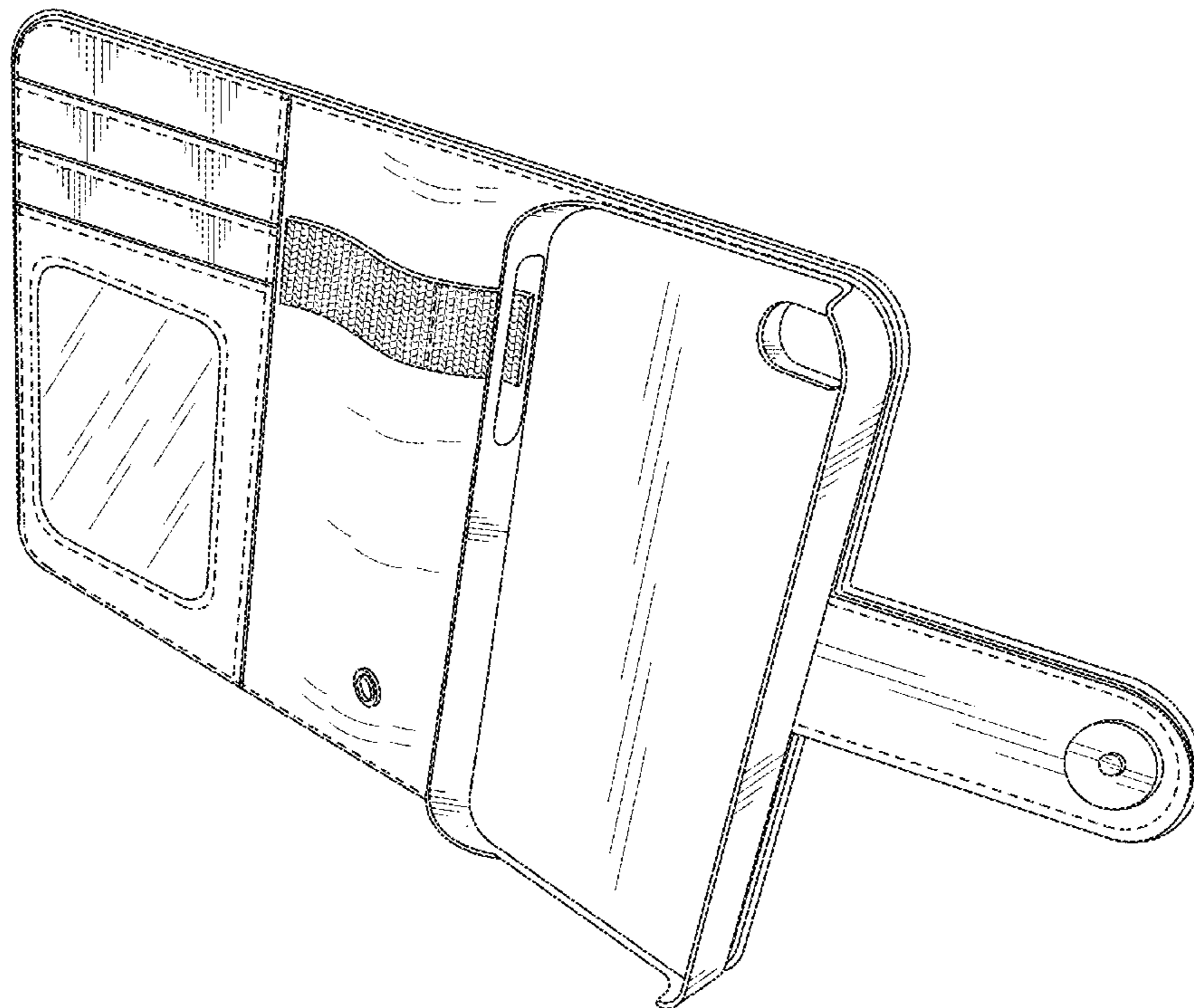
(57) **CLAIM**

The ornamental design for a multipurpose holder, as shown and described.

DESCRIPTION

FIG. 1 is a front perspective view of the multipurpose holder, showing my new design;
FIG. 2 is a rear perspective view thereof;
FIG. 3 is a front view thereof;
FIG. 4 is a rear view thereof;
FIG. 5 is a left side view thereof;
FIG. 6 is a right side view thereof;
FIG. 7 is a top view thereof;
FIG. 8 is a bottom view thereof; and,
FIG. 9 is a front perspective view of the multipurpose holder further showing an accessory of a metal strap with a leather cord inserted through the links of the metal strap and the strap clipped to an opening in the body of the holder.

1 Claim, 7 Drawing Sheets



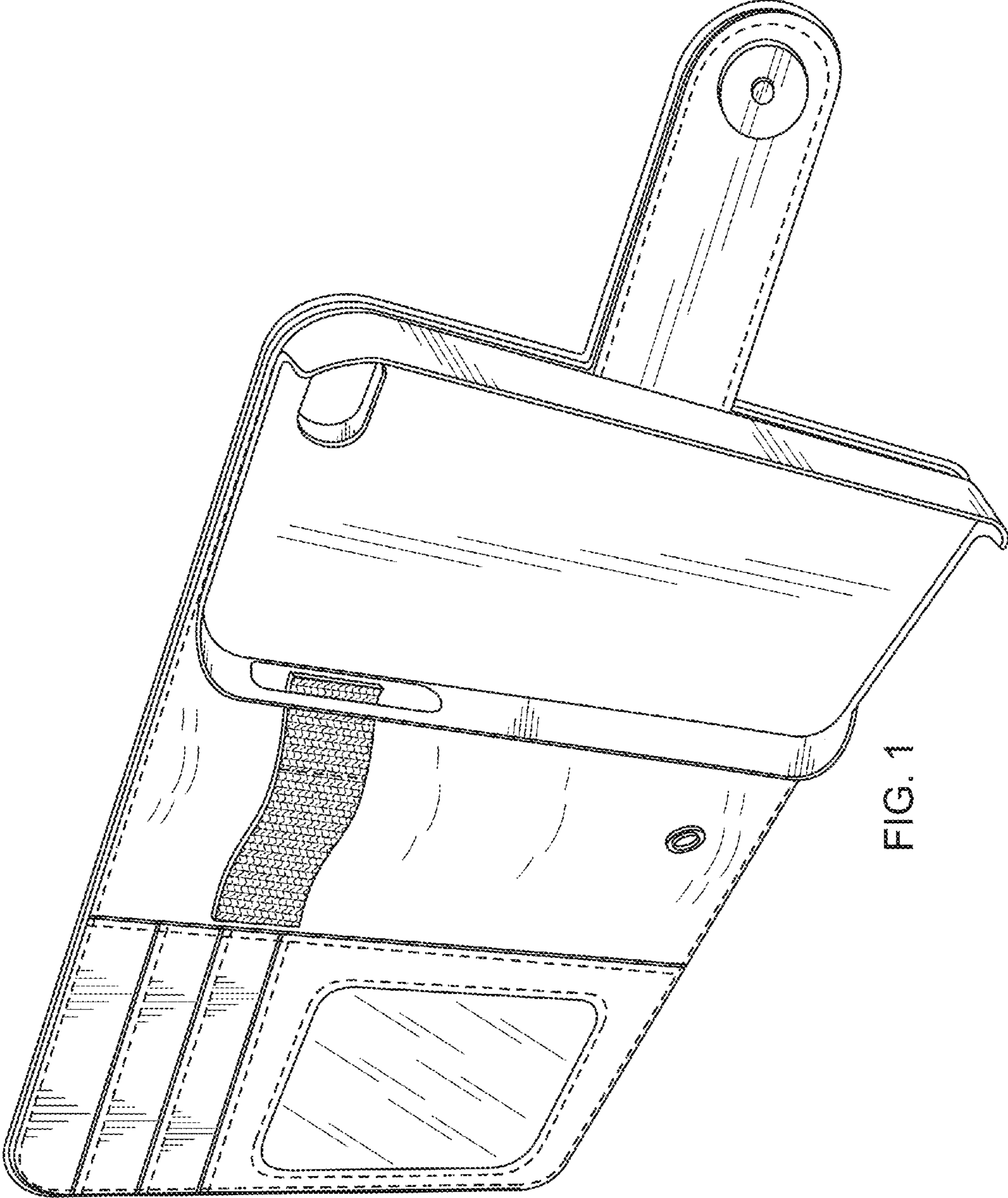


FIG. 1

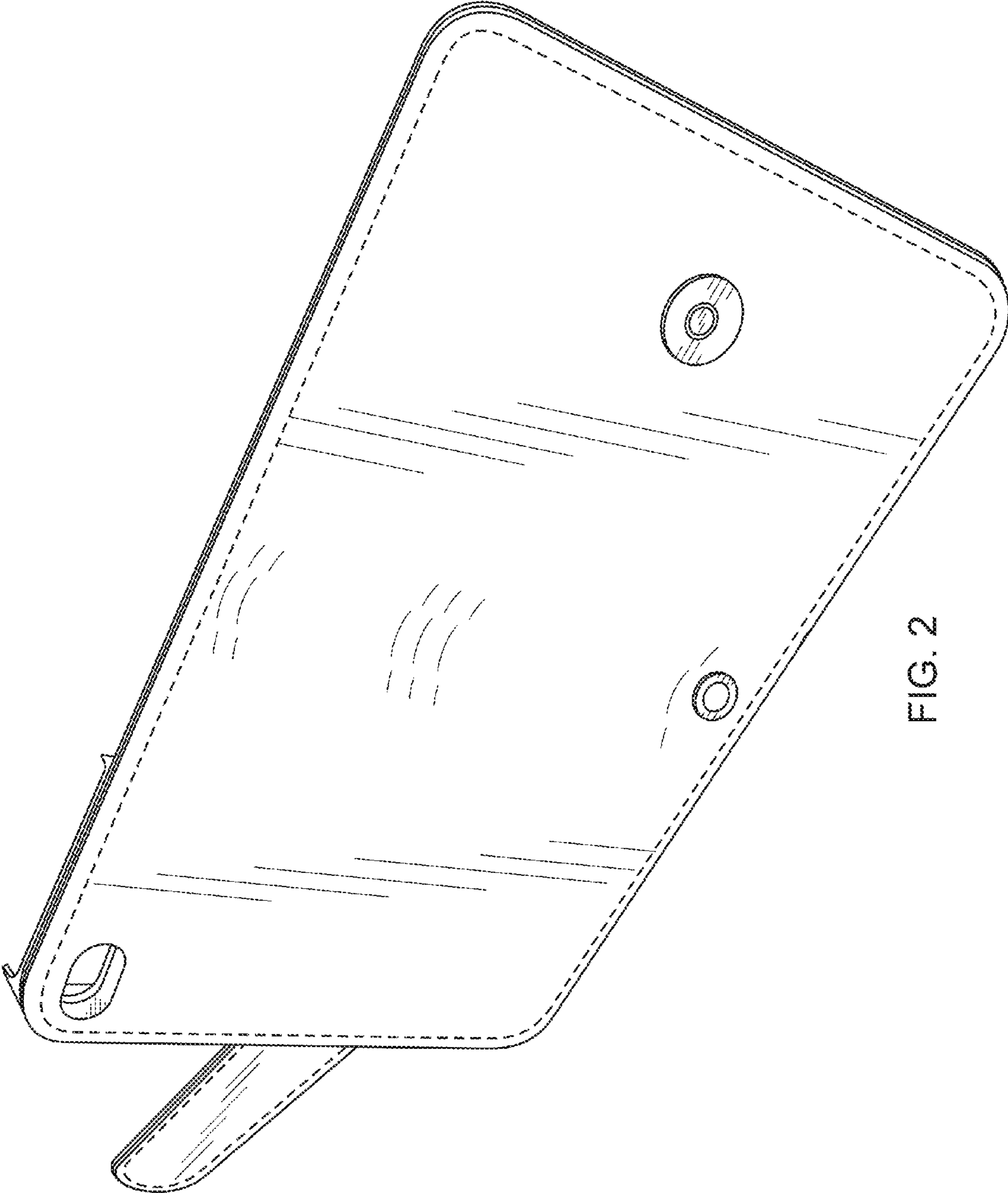


FIG. 2

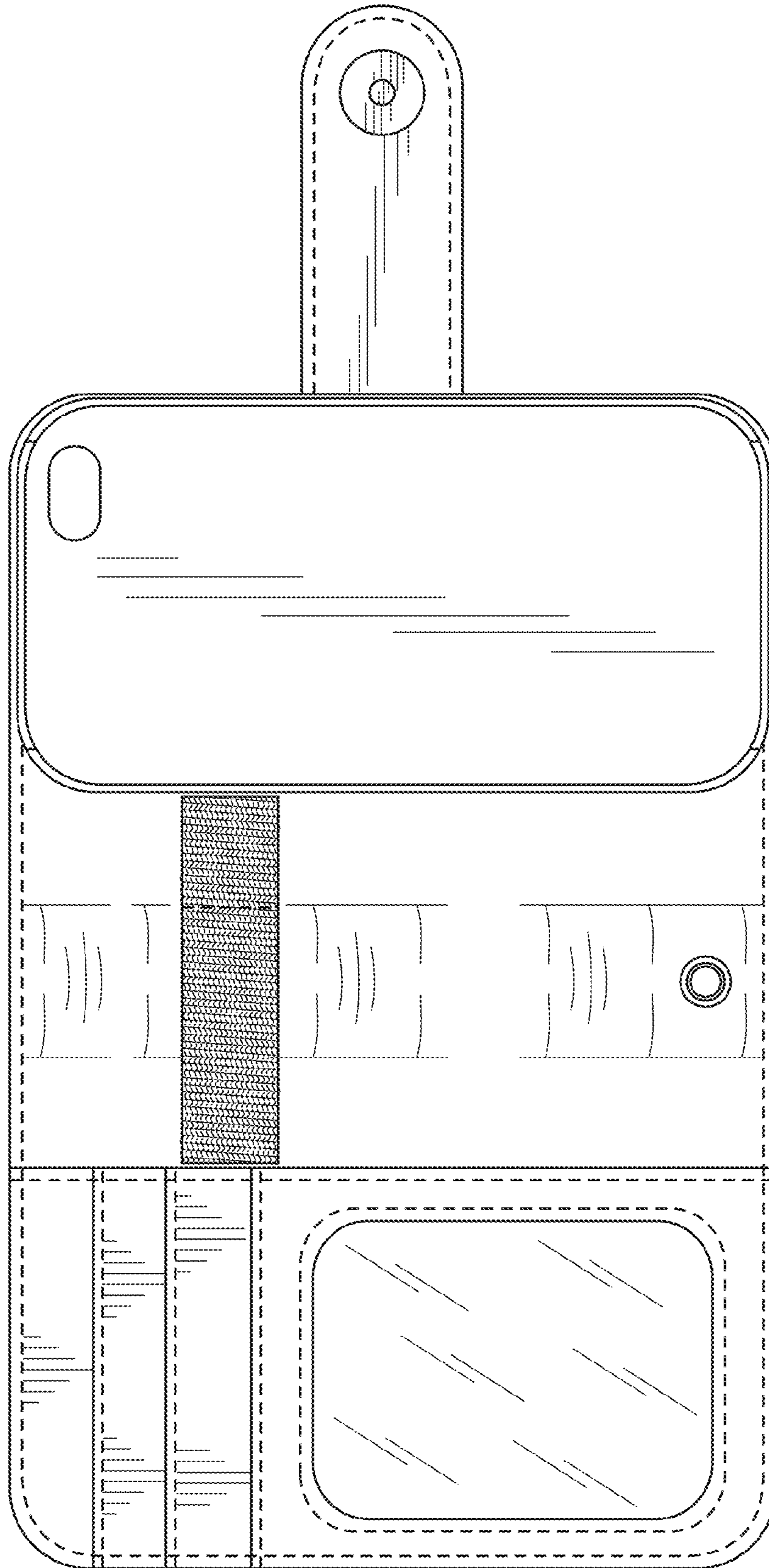


FIG. 3

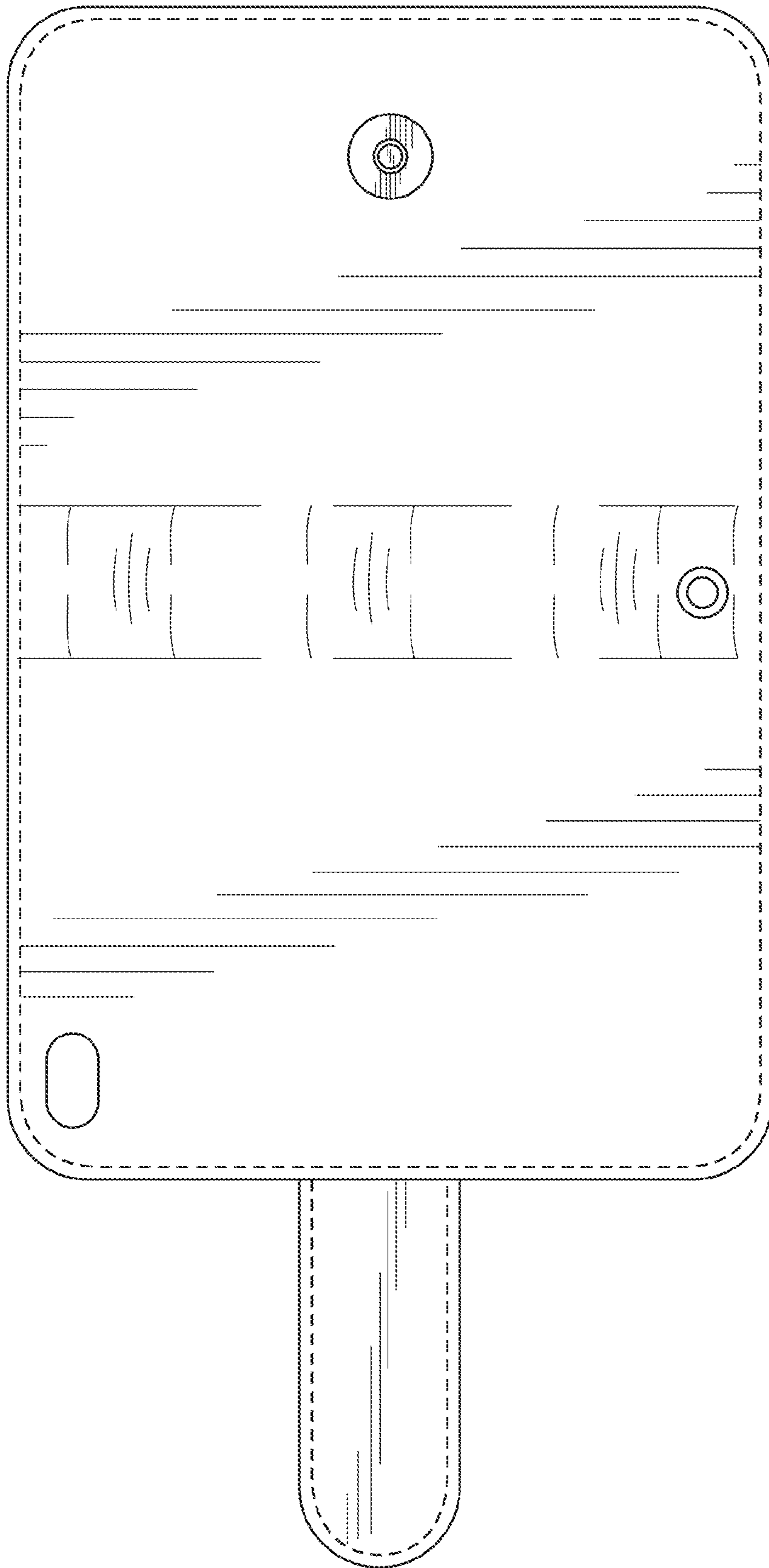


FIG. 4

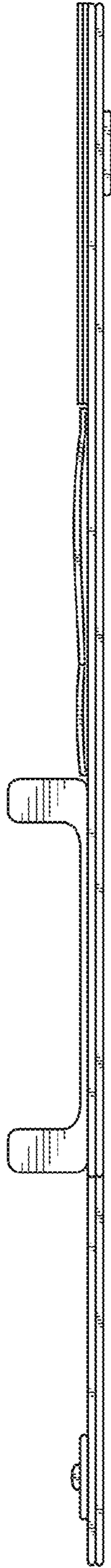


FIG. 5

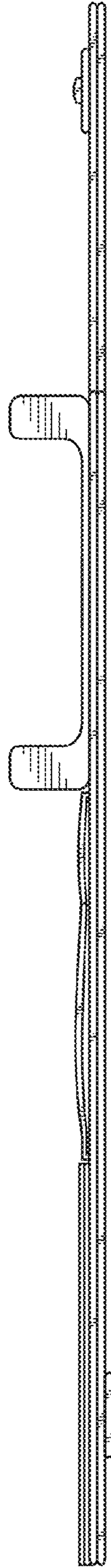


FIG. 6

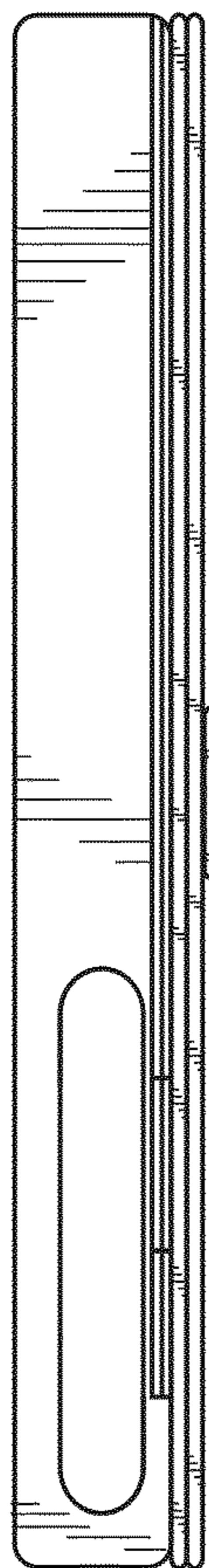


FIG 7

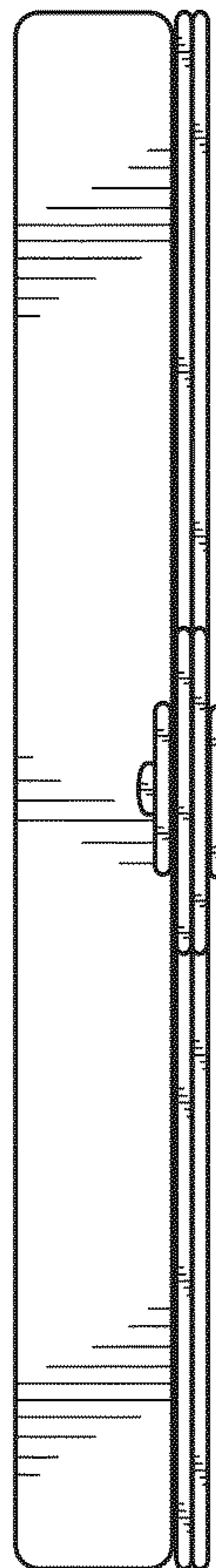


FIG 8

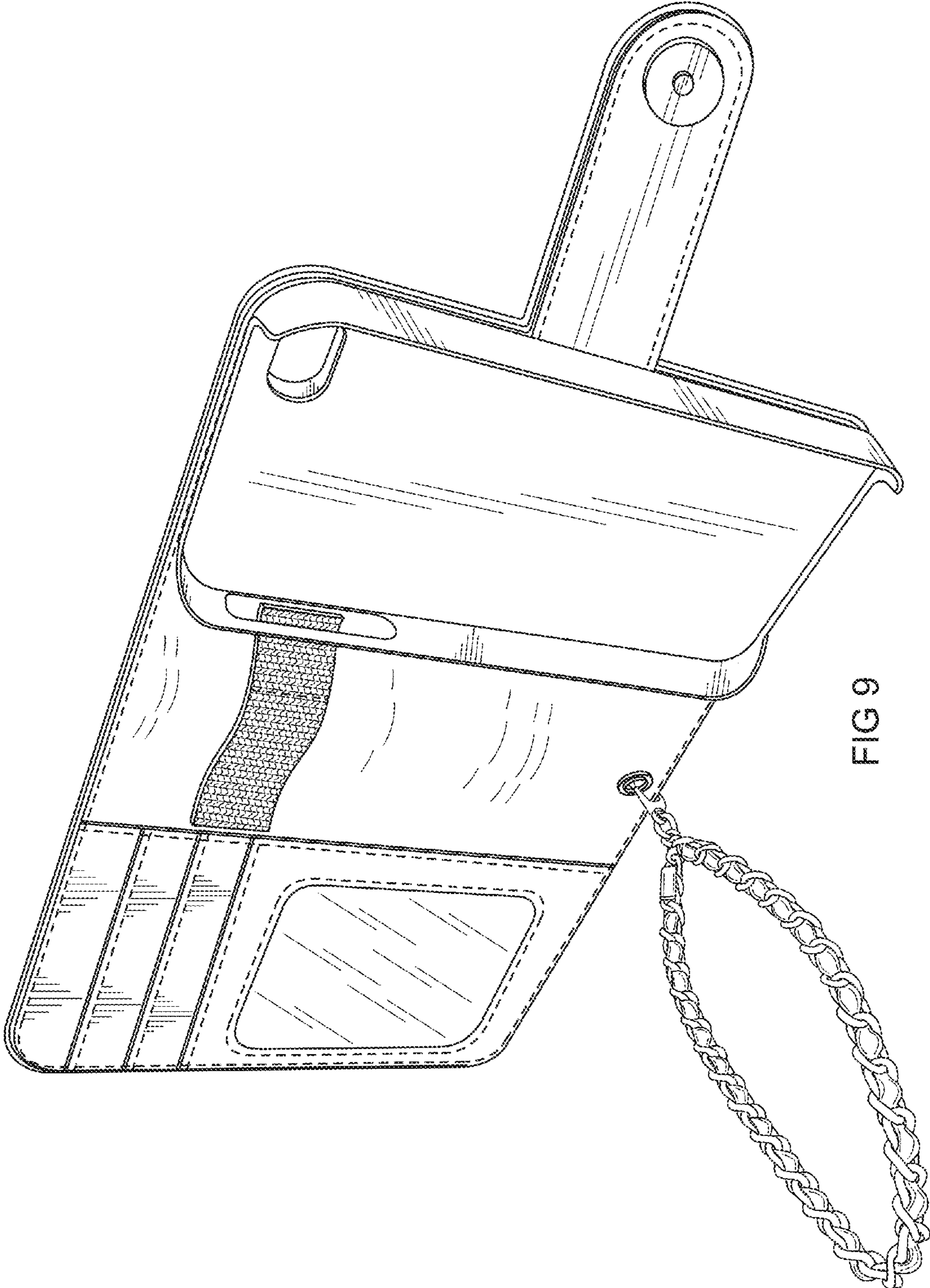


FIG 9