



US00D738617S

(12) **United States Design Patent**  
**Kidd**

(10) **Patent No.:** **US D738,617 S**

(45) **Date of Patent:** **\*\* Sep. 15, 2015**

(54) **KNIFE SCABBARD**

(71) Applicant: **Bisbell Magnetic Products Limited**,  
Burton upon Trent, Staffordshire (GB)

(72) Inventor: **David Joseph Kidd**, Buxton (GB)

(73) Assignee: **BISBELL MAGNETIC PRODUCTS LIMITED**, Burton Upon Trent,  
Staffordshire (GB)

(\*\*) Term: **14 Years**

(21) Appl. No.: **29/458,994**

(22) Filed: **Jun. 25, 2013**

(30) **Foreign Application Priority Data**

Jan. 24, 2013 (EM) ..... 001360267-0001

(51) **LOC (10) Cl.** ..... **03-01**

(52) **U.S. Cl.**  
USPC ..... **D3/220**

(58) **Field of Classification Search**  
USPC ..... D3/220; 224/197-198, 232, 246, 269,  
224/576; 206/349; 30/143, 151, 155;  
24/3.1, 3.11; D8/65, 95-99

See application file for complete search history.

(56) **References Cited**

U.S. PATENT DOCUMENTS

D374,981	S	*	10/1996	Hainsworth et al.	.....	D3/220
D591,040	S	*	4/2009	Foster et al.	.....	D3/220
D661,169	S	*	6/2012	Tinius	.....	D8/65
D672,549	S	*	12/2012	McLean	.....	D3/220
D678,743	S	*	3/2013	Tinius	.....	D8/65
8,783,141	B2	*	7/2014	Caswell	.....	30/155
8,887,971	B2	*	11/2014	Hou	.....	224/232

\* cited by examiner

*Primary Examiner* — Catheri Oliver-Garcia

(74) *Attorney, Agent, or Firm* — King & Schickli, PLLC

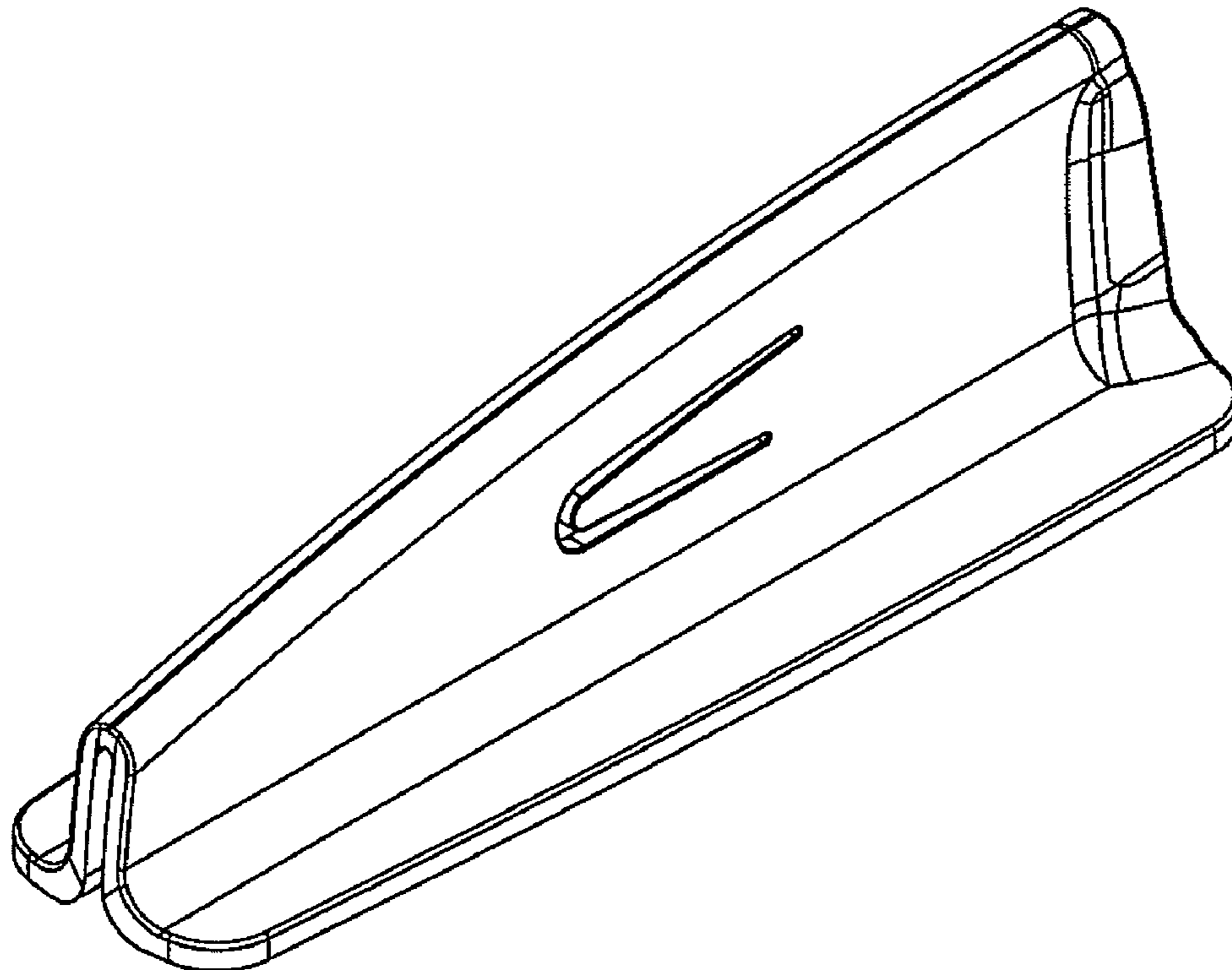
(57) **CLAIM**

The ornamental design of a knife scabbard, as shown and described.

**DESCRIPTION**

FIG. 1 is a front perspective view of the knife scabbard;  
FIG. 2 is a top view of the knife scabbard FIG. 1;  
FIG. 3 is a front view of the knife scabbard of FIG. 1;  
FIG. 4 is a right side view the knife scabbard of FIG. 1; and,  
FIG. 5 is a bottom view of the knife scabbard.

**1 Claim, 2 Drawing Sheets**



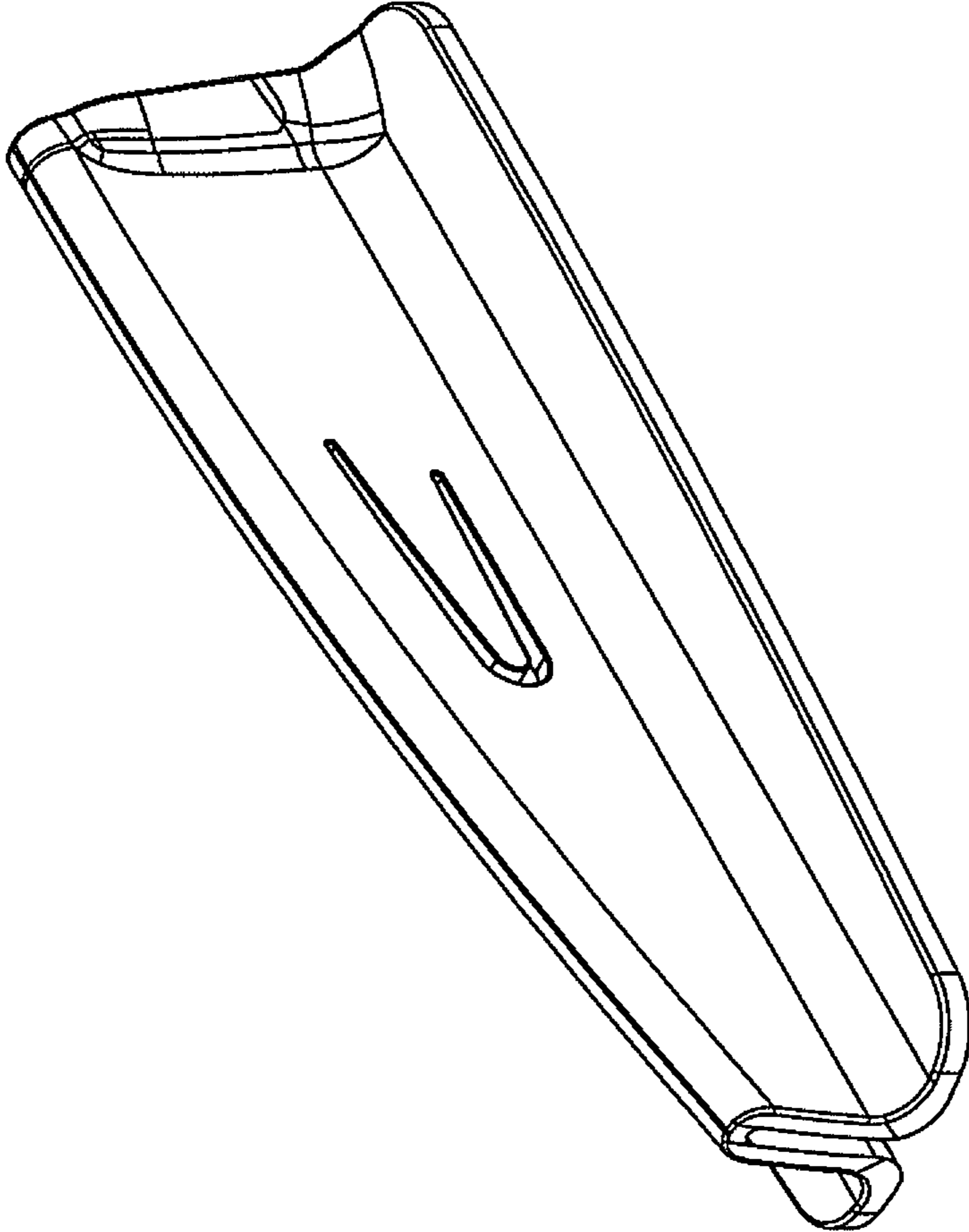


FIG. 1

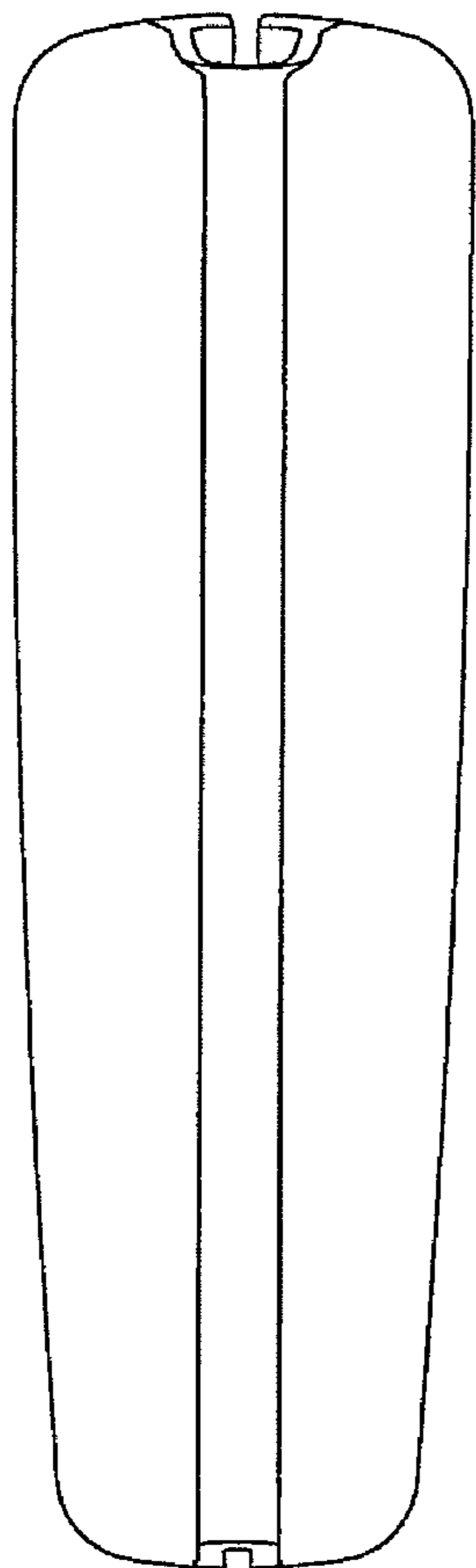


FIG. 2

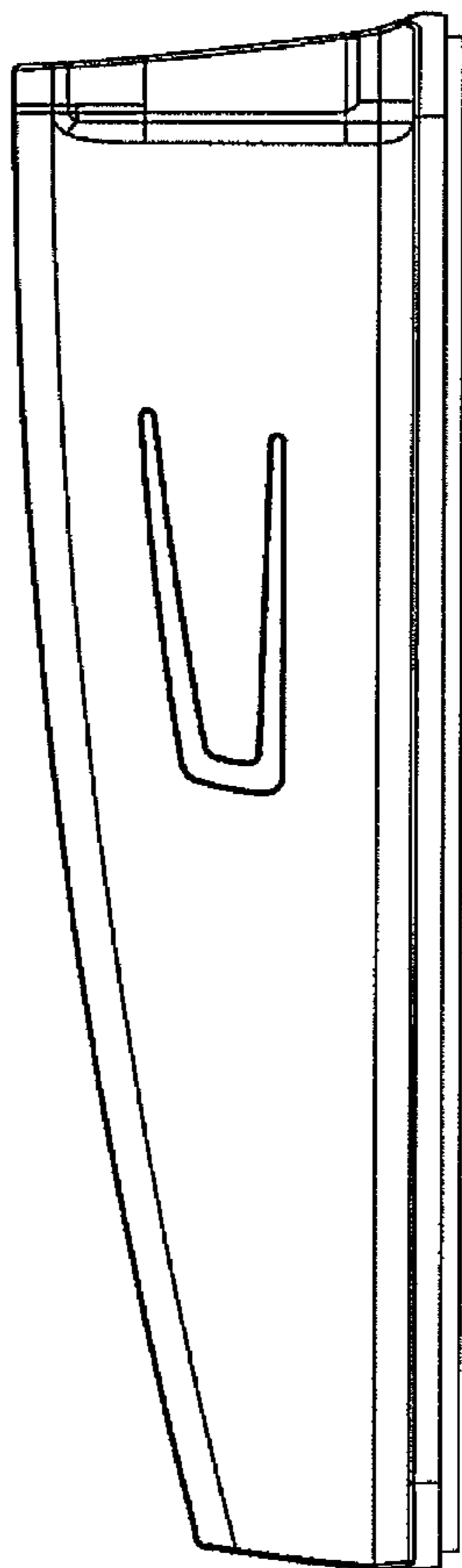


FIG. 3

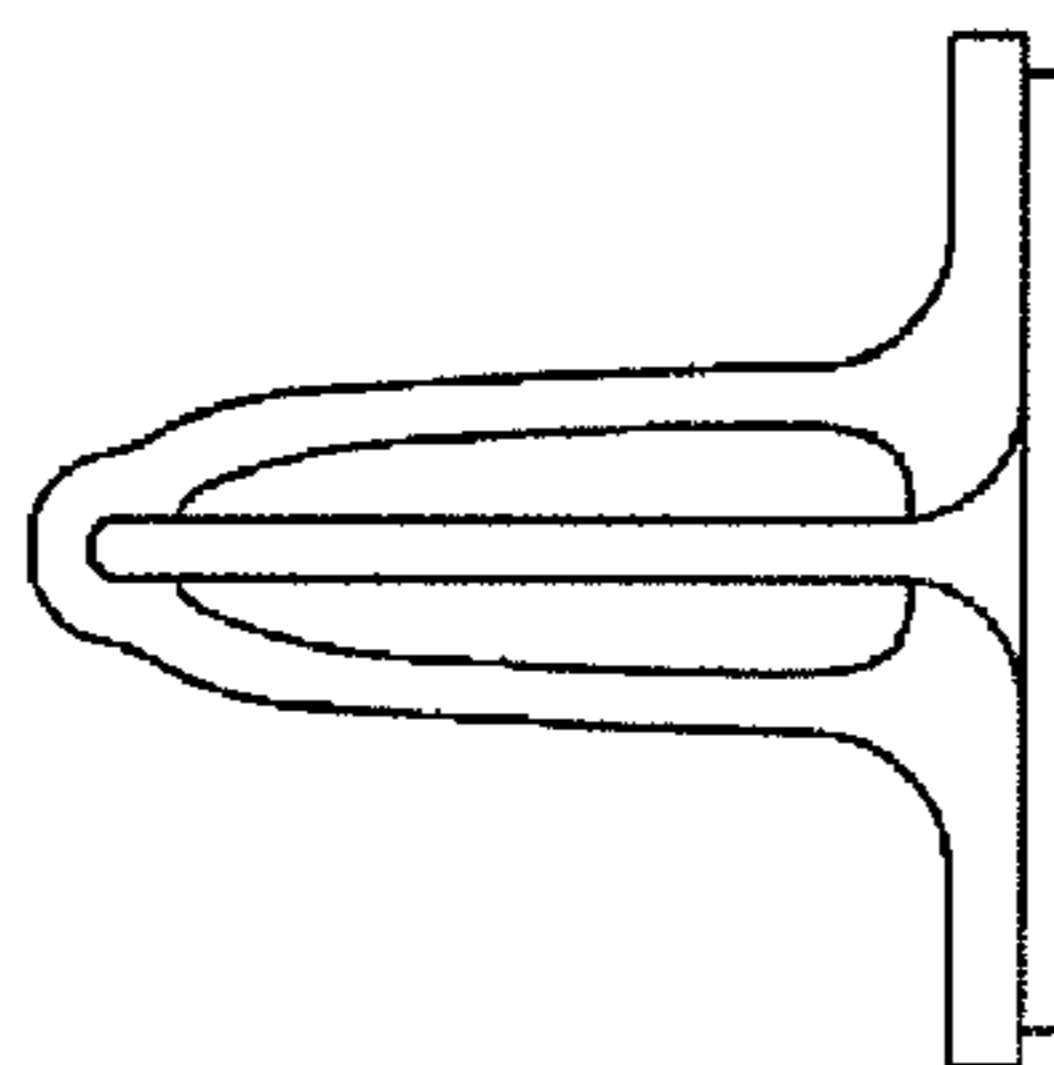


FIG. 4

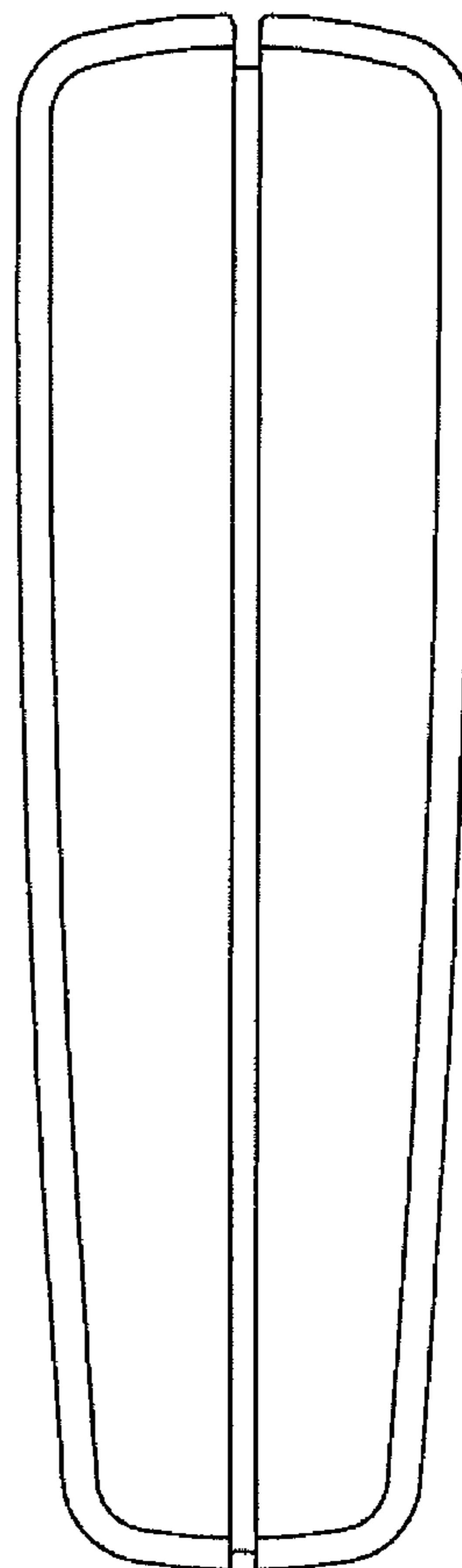


FIG. 5