



US00D738613S

(12) **United States Design Patent**  
**Winiski**

(10) **Patent No.:** **US D738,613 S**

(45) **Date of Patent:** **\*\* Sep. 15, 2015**

(54) **TOOTHBRUSH CASE**

(71) Applicant: **Steven Winiski**, Vancouver (CA)

(72) Inventor: **Steven Winiski**, Vancouver (CA)

(\*\*) Term: **14 Years**

(21) Appl. No.: **29/442,019**

(22) Filed: **Nov. 15, 2012**

(51) **LOC (10) Cl.** ..... **03-02**

(52) **U.S. Cl.**  
USPC ..... **D3/205**

(58) **Field of Classification Search**  
USPC ..... D3/201, 205, 206, 315-317, 294;  
190/100, 124, 903; 206/38, 235, 581,  
206/823  
CPC ..... A47K 1/09; A47K 2201/02; A47K 5/18;  
A46B 2200/1066  
See application file for complete search history.

(56) **References Cited**

**U.S. PATENT DOCUMENTS**

368,471	A *	8/1887	Hargraves	.....	206/102
2,358,915	A *	9/1944	Duthie	.....	217/18
D407,439	S *	3/1999	Kossnar et al.	.....	D19/85
D417,949	S *	12/1999	Fantinelli	.....	D3/206
6,022,159	A *	2/2000	Kossnar et al.	.....	401/35
D434,221	S *	11/2000	Chao	.....	D3/265

D434,560	S *	12/2000	Chao	.....	D3/265
D557,490	S *	12/2007	Fedon	.....	D3/206
D564,750	S *	3/2008	Rolion et al.	.....	D3/206
D595,453	S *	6/2009	Parsons et al.	.....	D27/189
D641,971	S *	7/2011	Shibata	.....	D3/206
D703,060	S *	4/2014	Okulla	.....	D9/529

\* cited by examiner

*Primary Examiner* — Susan Bennett Hattan

*Assistant Examiner* — Charles Hanson

(57) **CLAIM**

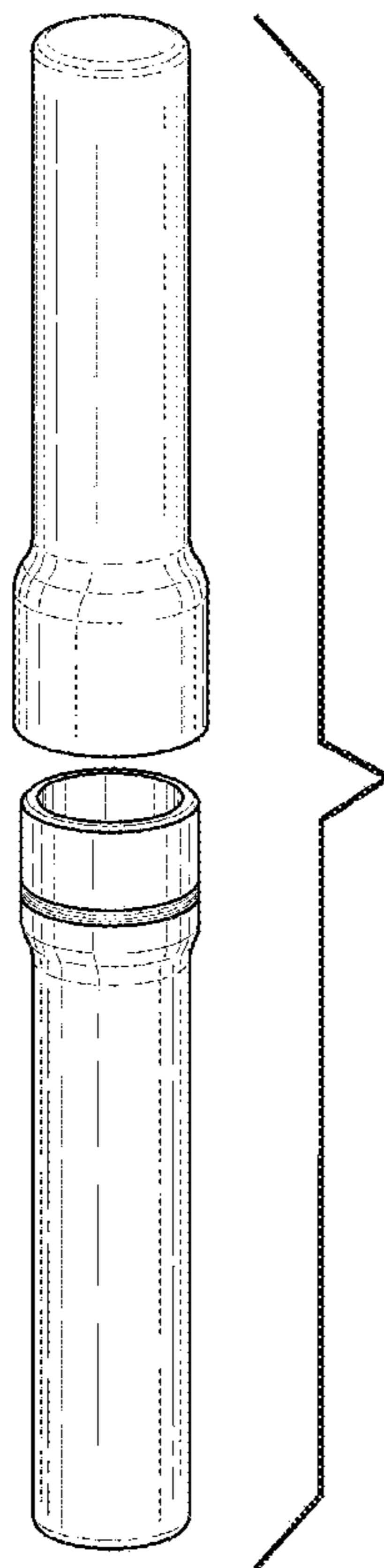
The ornamental design for a toothbrush case, as shown and described.

**DESCRIPTION**

FIG. 1 is a front perspective view of a toothbrush case showing my new design;  
FIG. 2 is an exploded view thereof;  
FIG. 3 is a front elevational view thereof, the rear side being a mirror image;  
FIG. 4 is a right side elevational view thereof, the left side being a mirror image;  
FIG. 5 is a top plan view thereof; and,  
FIG. 6 is a bottom plan view thereof.

The broken line showing in FIG. 6 is included for the purpose of illustrating portions of the toothbrush case that form no part of the claimed design.

**1 Claim, 3 Drawing Sheets**



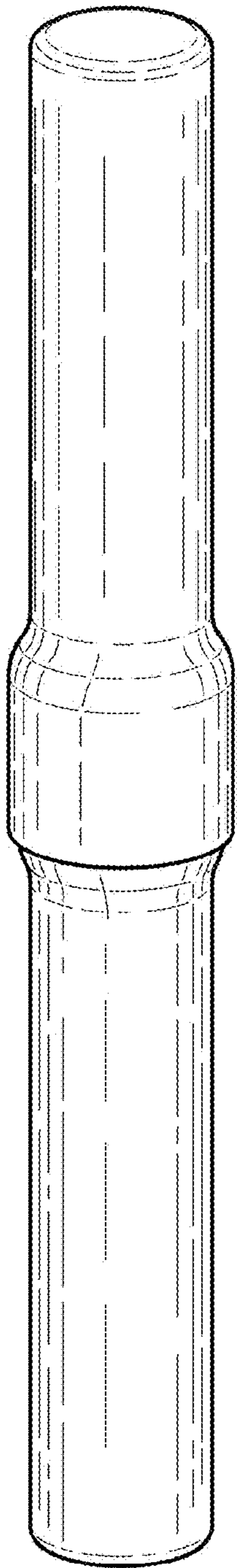


FIG.1

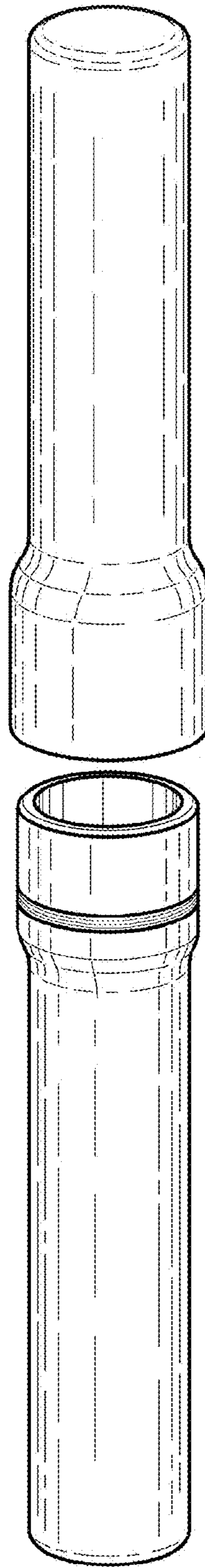


FIG.2

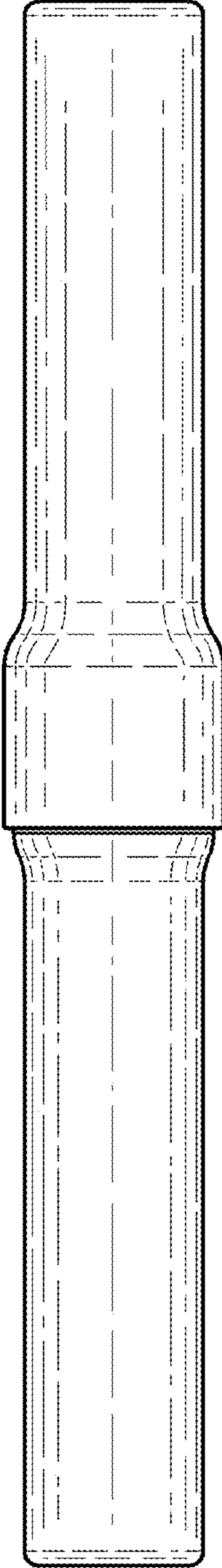


FIG.3

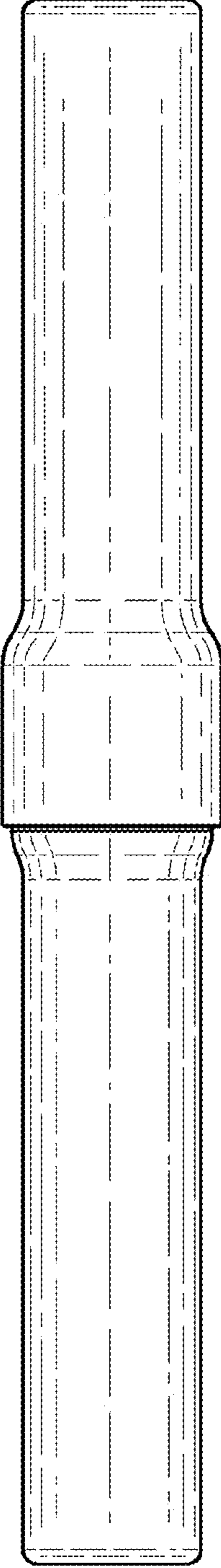


FIG.4

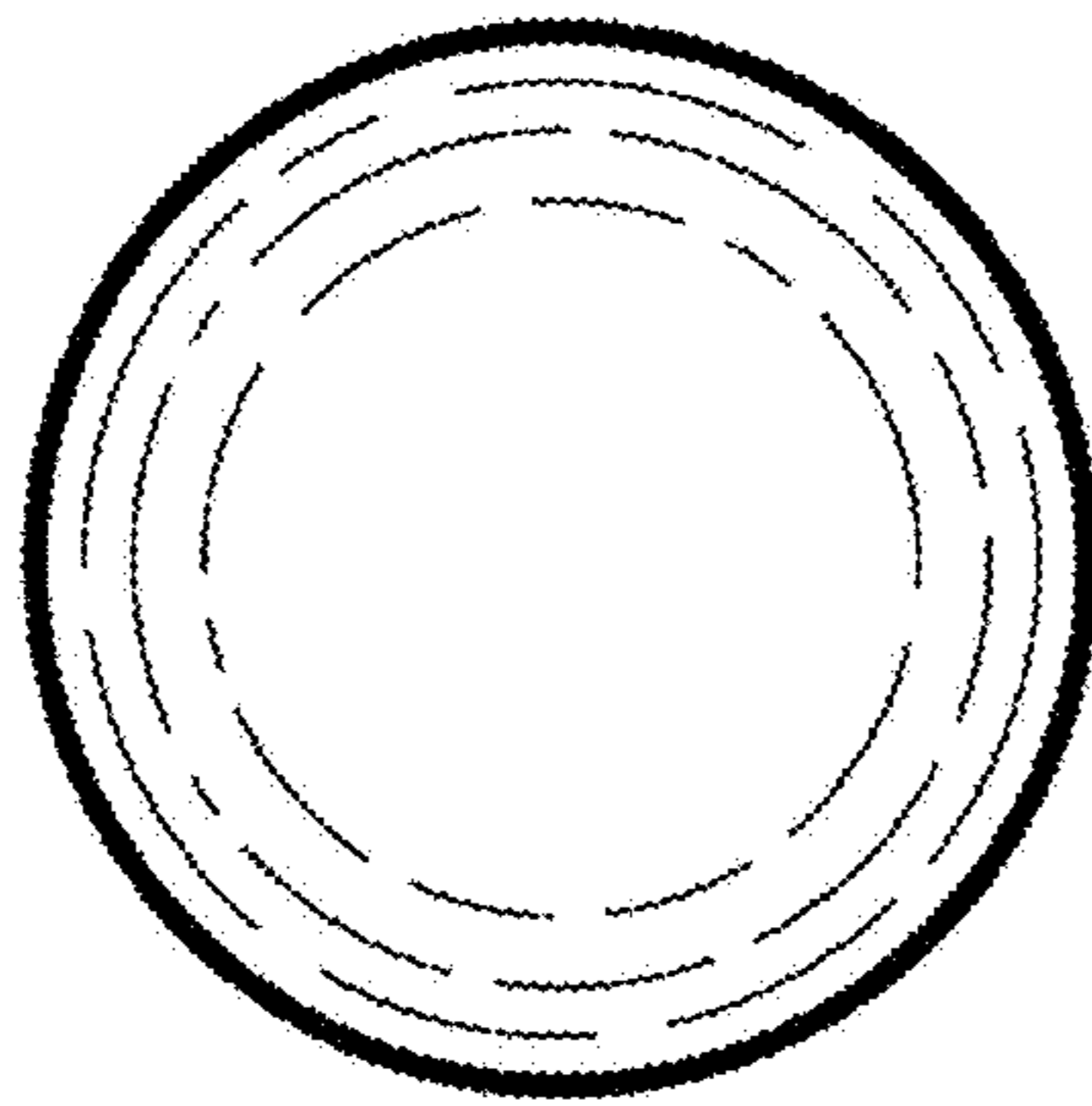


FIG.5

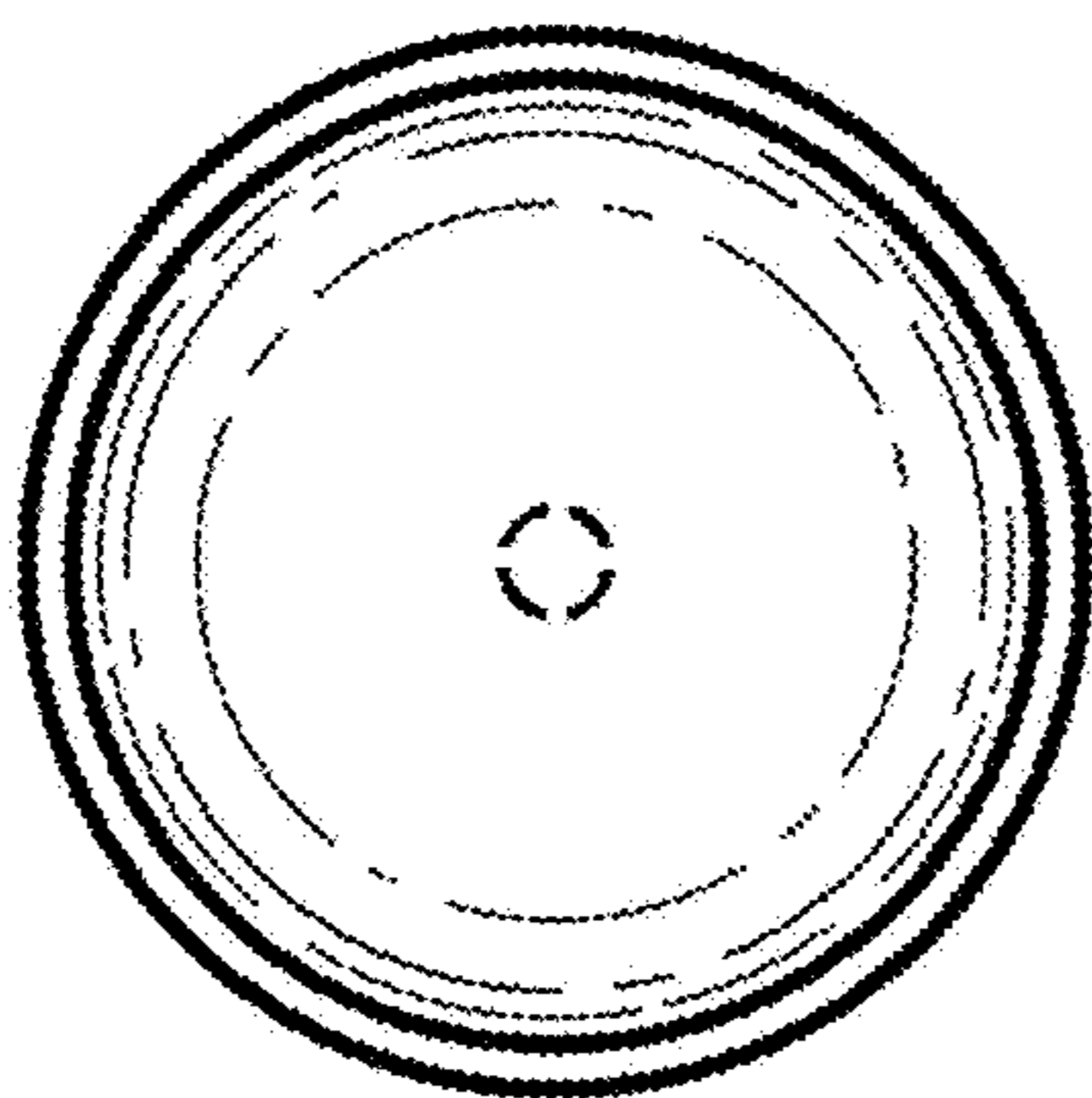


FIG.6