



US00D738609S

(12) **United States Design Patent**
Ma

(10) **Patent No.:** **US D738,609 S**

(45) **Date of Patent:** **** Sep. 15, 2015**

(54) **UMBRELLA RUNNER**

(71) Applicant: **Oliver Joen-an Ma**, Arcadia, CA (US)

(72) Inventor: **Oliver Joen-an Ma**, Arcadia, CA (US)

(**) Term: **14 Years**

(21) Appl. No.: **29/508,718**

(22) Filed: **Nov. 10, 2014**

Related U.S. Application Data

(62) Division of application No. 29/425,494, filed on Jun. 22, 2012, now Pat. No. Des. 719,343.

(30) **Foreign Application Priority Data**

Jan. 16, 2012 (CN) 2012 3 0011965

Jan. 16, 2012 (CN) 2012 3 0011967

(51) **LOC (10) Cl.** **03-03**

(52) **U.S. Cl.**
USPC **D3/5; D3/10**

(58) **Field of Classification Search**
USPC D3/5, 10; 135/15.1, 33.2, 20.1
See application file for complete search history.

(56) **References Cited**

U.S. PATENT DOCUMENTS

D33,847 S	1/1901	Gaskill
878,270 A	2/1908	Blake et al.
956,657 A	5/1910	Wetteroth
957,528 A	5/1910	Wetteroth
D45,227 S	2/1914	Glauber
1,136,887 A	4/1915	Penn
1,235,296 A	7/1917	Dillingham
1,243,594 A	10/1917	Dillingham
1,255,627 A	2/1918	Morrow et al.
1,268,354 A	6/1918	Howard
D90,772 S	9/1933	Kasch
D127,735 S	6/1941	Dreyfuss
2,447,972 A	8/1948	Weinert

2,475,406 A	7/1949	Russell
D162,678 S	3/1951	Muller-Munk
D167,619 S	9/1952	Coran
2,762,383 A	9/1956	Wittman
2,937,653 A	5/1960	Danciart et al.
D190,597 S	6/1961	Nelson

(Continued)

FOREIGN PATENT DOCUMENTS

CN	202190859	4/2012
DE	3820573	8/1989

(Continued)

OTHER PUBLICATIONS

Operation Manual Easy Sun Parasol Sunshade (Issue: Jul. 2004) pp. 1-17.

Primary Examiner — John Windmuller

(74) *Attorney, Agent, or Firm* — Knobbe Martens Olson & Bear, LLP

(57) **CLAIM**

The ornamental design for an umbrella runner, as shown and described.

DESCRIPTION

FIG. 1 is a perspective view of an umbrella runner showing my new design;

FIG. 2 is a front elevation view thereof, the rear elevation view being identical;

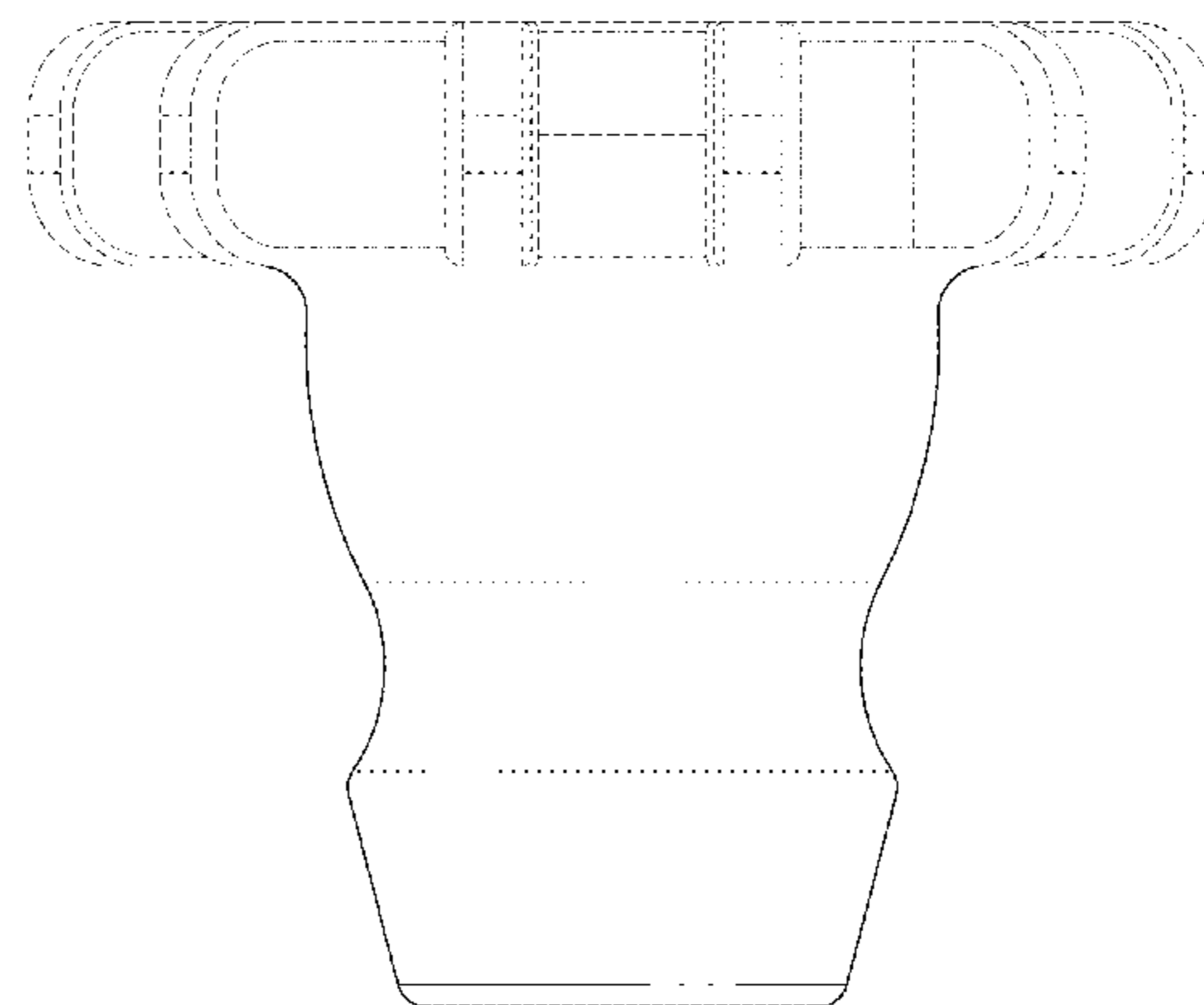
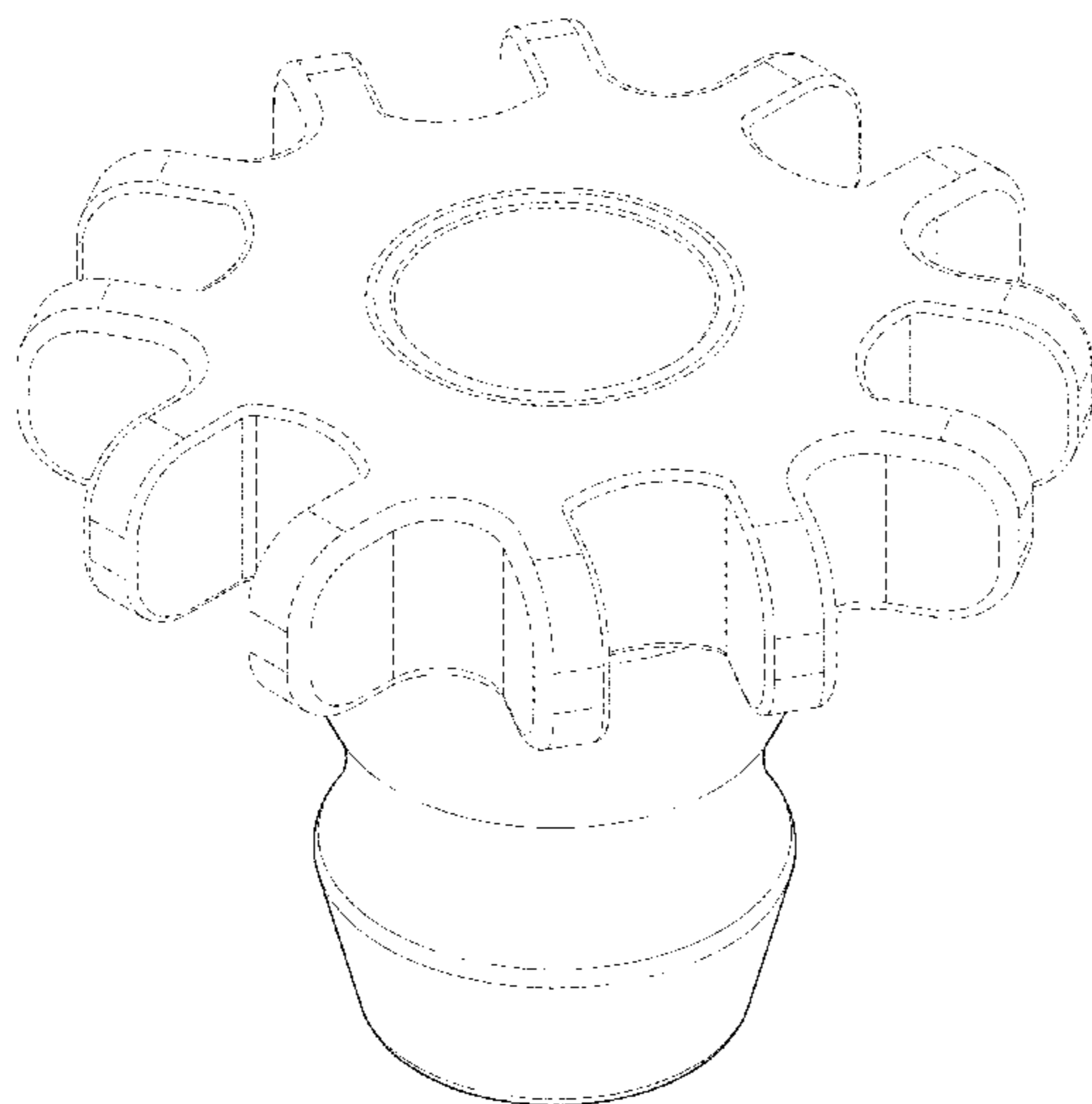
FIG. 3 is a right side elevation view thereof, the left side elevation view being identical;

FIG. 4 is a top plan view thereof;

FIG. 5 is a bottom plan view thereof; and,

FIG. 6 is a perspective view thereof in use with an umbrella. The broken lines in FIGS. 1 through 5 depict portions of the umbrella runner that form no part of the claimed design. The broken lines in FIG. 6 depict environment only and form no part of the claimed design.

1 Claim, 6 Drawing Sheets



(56)

References Cited

U.S. PATENT DOCUMENTS

3,120,238 A 2/1964 Glatz
 3,145,720 A 8/1964 Torii
 3,424,180 A 1/1969 Giancarlo
 3,856,032 A 12/1974 Schafer
 D265,498 S 7/1982 Paul
 4,368,749 A 1/1983 Lindler et al.
 D276,838 S 12/1984 Hill et al.
 4,586,525 A 5/1986 Glatz et al.
 4,622,987 A 11/1986 Redl et al.
 4,674,523 A 6/1987 Glatz
 4,697,606 A 10/1987 Ma
 4,811,670 A 3/1989 Kolvites et al.
 4,878,509 A 11/1989 Tung
 5,002,081 A 3/1991 Stromeyer
 5,029,596 A 7/1991 Tung
 5,050,627 A 9/1991 Hengtzu
 D321,779 S 11/1991 Ma
 5,184,639 A * 2/1993 Lee 135/28
 5,275,186 A 1/1994 Liu
 D344,786 S 3/1994 Short et al.
 5,349,975 A 9/1994 Valdner
 5,357,994 A 10/1994 Chung
 D360,522 S 7/1995 Ko
 5,499,644 A 3/1996 Geniele
 D372,854 S 8/1996 Jimenez
 5,553,634 A * 9/1996 Yang 135/25.3
 5,566,699 A * 10/1996 Kou 135/28
 5,584,564 A 12/1996 Phyle
 5,588,455 A 12/1996 Kuo
 5,611,364 A 3/1997 Woods et al.
 5,655,557 A 8/1997 Martin
 5,740,823 A 4/1998 Lin et al.
 5,785,069 A 7/1998 Glatz
 D397,054 S 8/1998 Brantley et al.
 D398,443 S 9/1998 Bolle
 5,809,734 A 9/1998 Turner
 D400,777 S 11/1998 Carsello
 5,884,645 A 3/1999 Chen et al.
 D408,621 S 4/1999 Kuo
 5,899,210 A 5/1999 Letherby et al.
 D410,862 S 6/1999 Mihov
 5,937,882 A 8/1999 Harbaugh
 5,964,235 A * 10/1999 Wang 135/28
 6,014,980 A 1/2000 Glatz
 D434,215 S 11/2000 Lin
 D434,476 S 11/2000 Meda
 6,145,523 A 11/2000 Lo
 6,152,156 A 11/2000 Tung
 D434,556 S 12/2000 Lin
 6,192,907 B1 2/2001 Wu
 6,220,261 B1 4/2001 Glatz
 6,230,728 B1 5/2001 Reese
 6,247,483 B1 6/2001 Tung
 6,305,394 B1 10/2001 Reese
 6,311,705 B1 11/2001 Ma
 6,311,707 B1 11/2001 Wu et al.
 6,314,976 B1 11/2001 Clarke
 6,371,141 B1 4/2002 Lin
 6,371,686 B1 4/2002 Wu
 6,386,214 B1 5/2002 Clarke
 6,386,215 B1 5/2002 Chang
 6,412,506 B1 7/2002 Reese
 6,422,251 B1 7/2002 Tseng
 D465,915 S * 11/2002 Earnshaw D3/10
 6,478,037 B2 11/2002 Tung
 6,571,813 B2 6/2003 Lin et al.
 6,575,182 B2 6/2003 Tung
 6,575,183 B2 6/2003 Tung
 D477,458 S 7/2003 Goldwitz
 6,588,438 B1 7/2003 Steiner

D478,416 S 8/2003 Clarke
 6,619,306 B2 9/2003 Ma
 6,662,815 B2 12/2003 Tung
 6,732,753 B2 5/2004 Chang
 6,758,229 B2 7/2004 Wang
 D497,478 S 10/2004 Clarke
 D497,479 S 10/2004 Yu
 6,802,329 B2 10/2004 Chen
 6,837,255 B2 1/2005 Bunch et al.
 6,851,823 B2 2/2005 Bilotti
 D503,035 S 3/2005 Ko
 D503,272 S 3/2005 Machin et al.
 6,889,699 B2 5/2005 Clarke
 6,941,960 B2 9/2005 Huang
 7,000,624 B2 2/2006 Chang
 D525,721 S 7/2006 Landes
 7,082,953 B2 8/2006 Liu
 7,089,950 B2 8/2006 Lin
 D539,632 S 4/2007 Ma
 7,293,573 B2 11/2007 Clarke
 D558,444 S 1/2008 Ma
 7,318,444 B2 1/2008 Clarke
 7,328,715 B2 2/2008 Neubardt
 7,546,845 B2 6/2009 Prusmack
 7,665,477 B1 2/2010 Hathaway
 7,686,024 B1 3/2010 Lai
 7,703,464 B2 4/2010 Ma
 D626,324 S 11/2010 Ma
 D631,243 S 1/2011 Forthuber et al.
 7,861,734 B2 1/2011 Ma
 7,891,367 B2 2/2011 Ma
 7,900,643 B2 3/2011 Ma
 7,913,708 B2 3/2011 Yung
 D644,832 S 9/2011 Patzak
 8,061,375 B2 11/2011 Ma
 8,082,935 B2 12/2011 Ma
 8,096,310 B2 1/2012 Clarke
 8,136,541 B2 3/2012 Beaulieu
 2002/0083969 A1 7/2002 Tung
 2002/0139405 A1 10/2002 Lee
 2003/0015230 A1 1/2003 Glatz
 2004/0031513 A1 2/2004 Bunch et al.
 2004/0055627 A1 3/2004 Moga
 2004/0055628 A1 3/2004 Yu
 2004/0069333 A1 4/2004 Ma
 2004/0154525 A1 8/2004 Wirth et al.
 2004/0182429 A1 9/2004 Chen
 2004/0206382 A1 10/2004 Clarke
 2004/0206383 A1 10/2004 Clarke
 2005/0098200 A1 5/2005 Su
 2005/0194027 A1 9/2005 Ko
 2006/0005867 A1 1/2006 Chang
 2006/0124161 A1 6/2006 Lee
 2006/0151019 A1 7/2006 Lo
 2007/0283988 A1 12/2007 Ma
 2008/0202570 A1 8/2008 Clarke
 2010/0139724 A1 6/2010 Lai
 2010/0139725 A1 6/2010 Lai
 2011/0061694 A1 3/2011 Vanderminden, Sr.
 2011/0132418 A1 6/2011 Ma
 2011/0209732 A1 9/2011 Ma
 2011/0214705 A1 9/2011 Ma
 2011/0277800 A1 11/2011 Tung

FOREIGN PATENT DOCUMENTS

FR 2672781 A3 8/1992
 JP 2006-110317 A 4/2006
 JP 2007-222591 9/2007
 JP 2008-142310 6/2008
 WO WO 2005/058089 6/2005

* cited by examiner

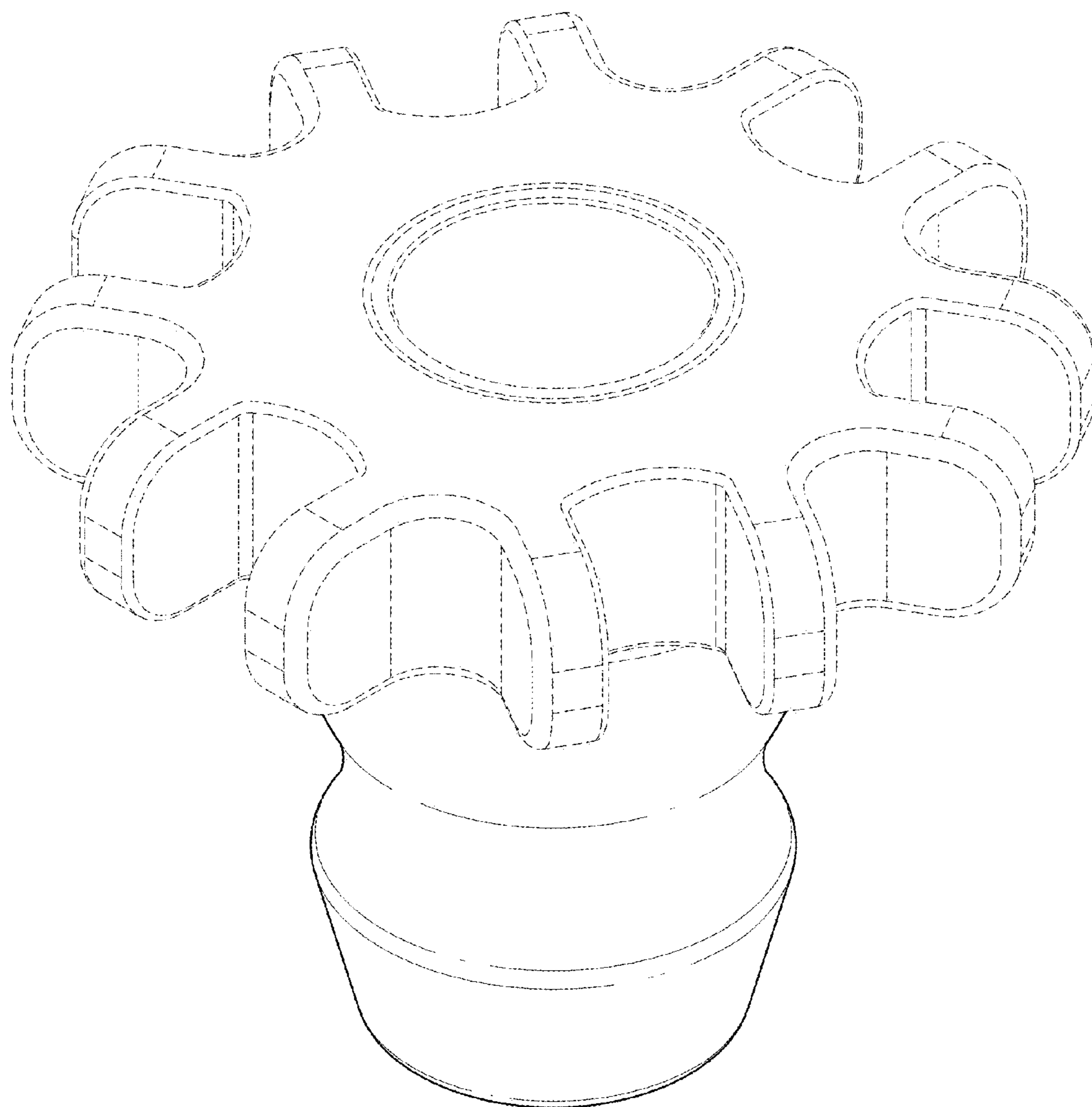


FIG. 1

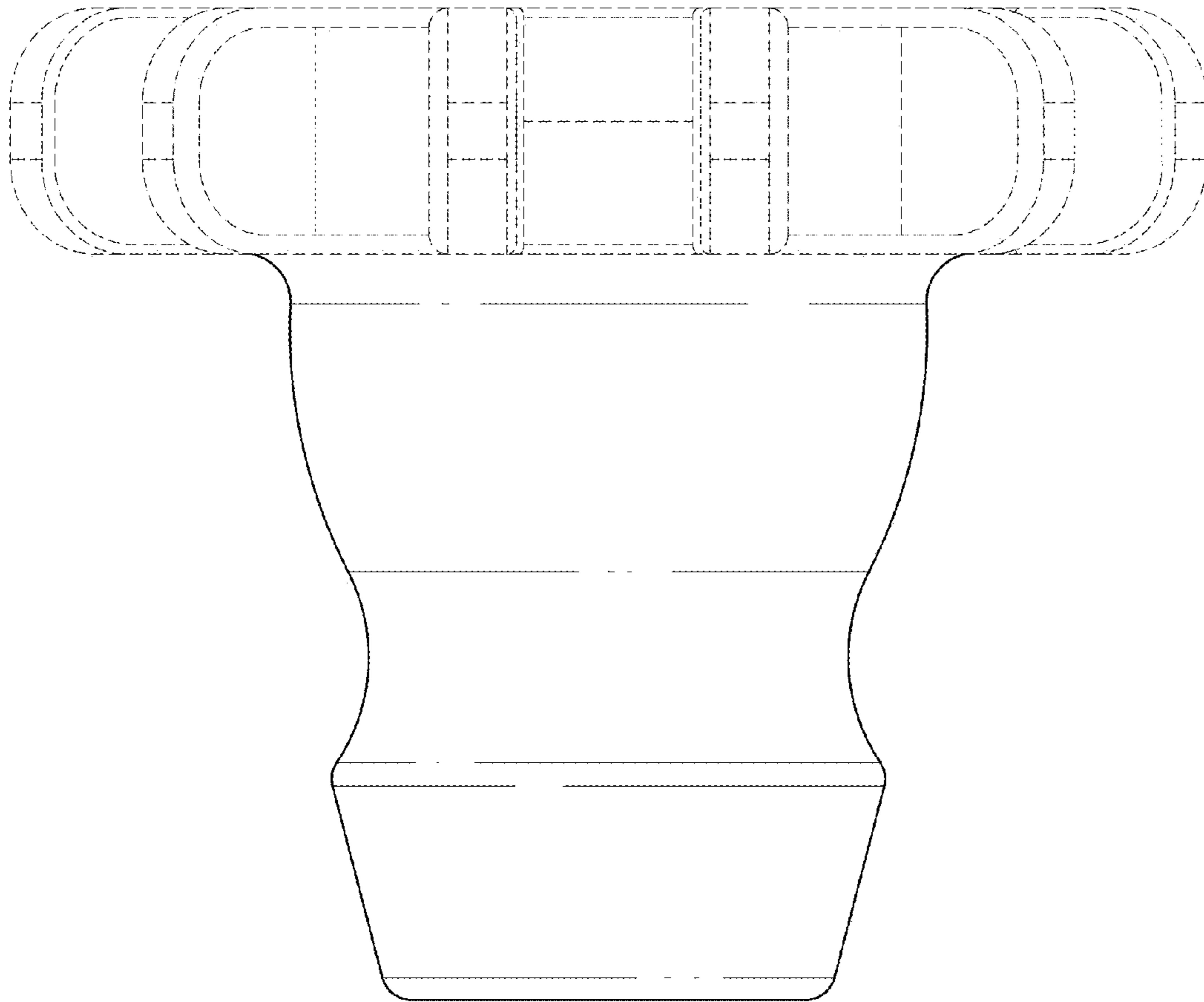


FIG. 2

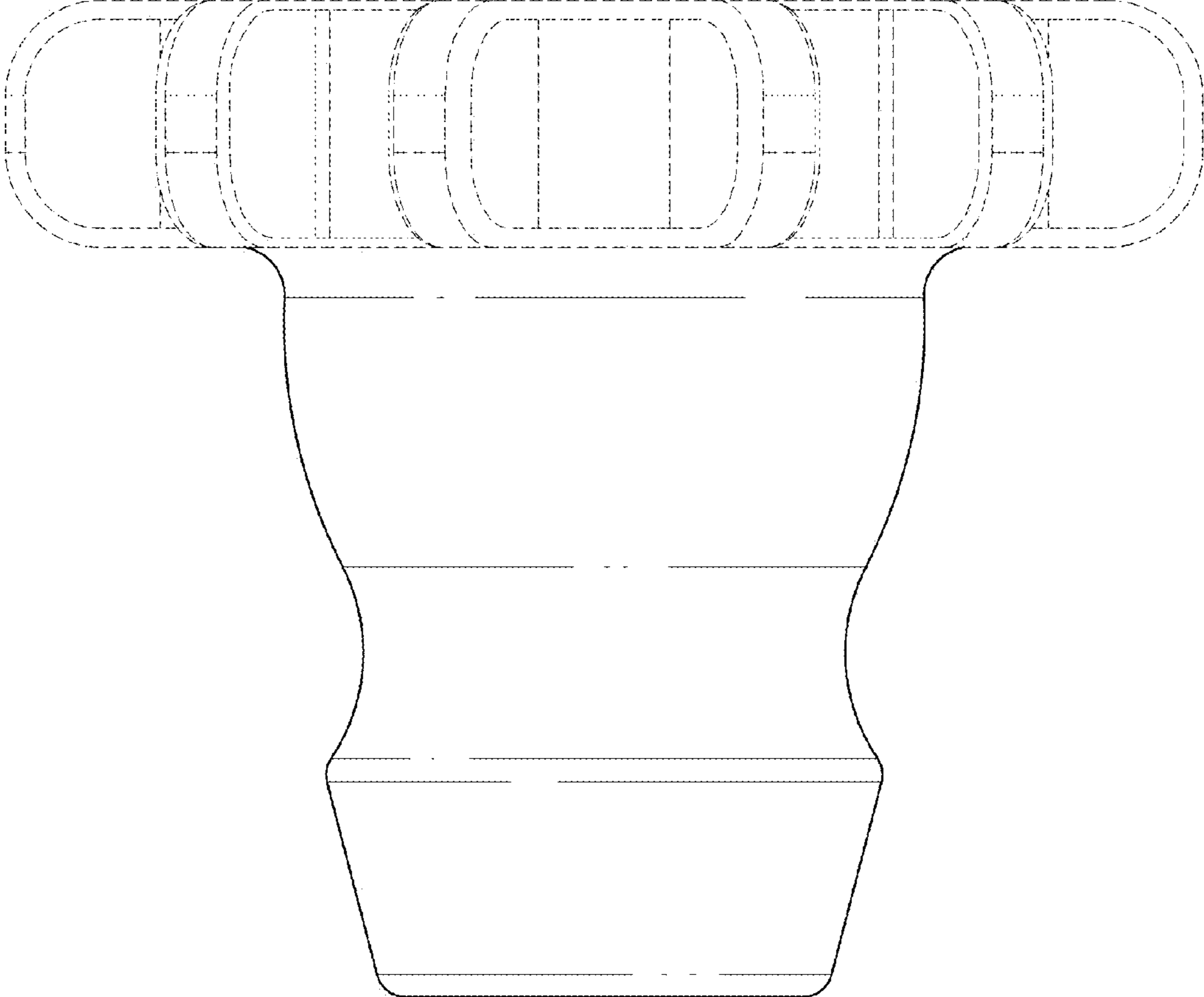


FIG. 3

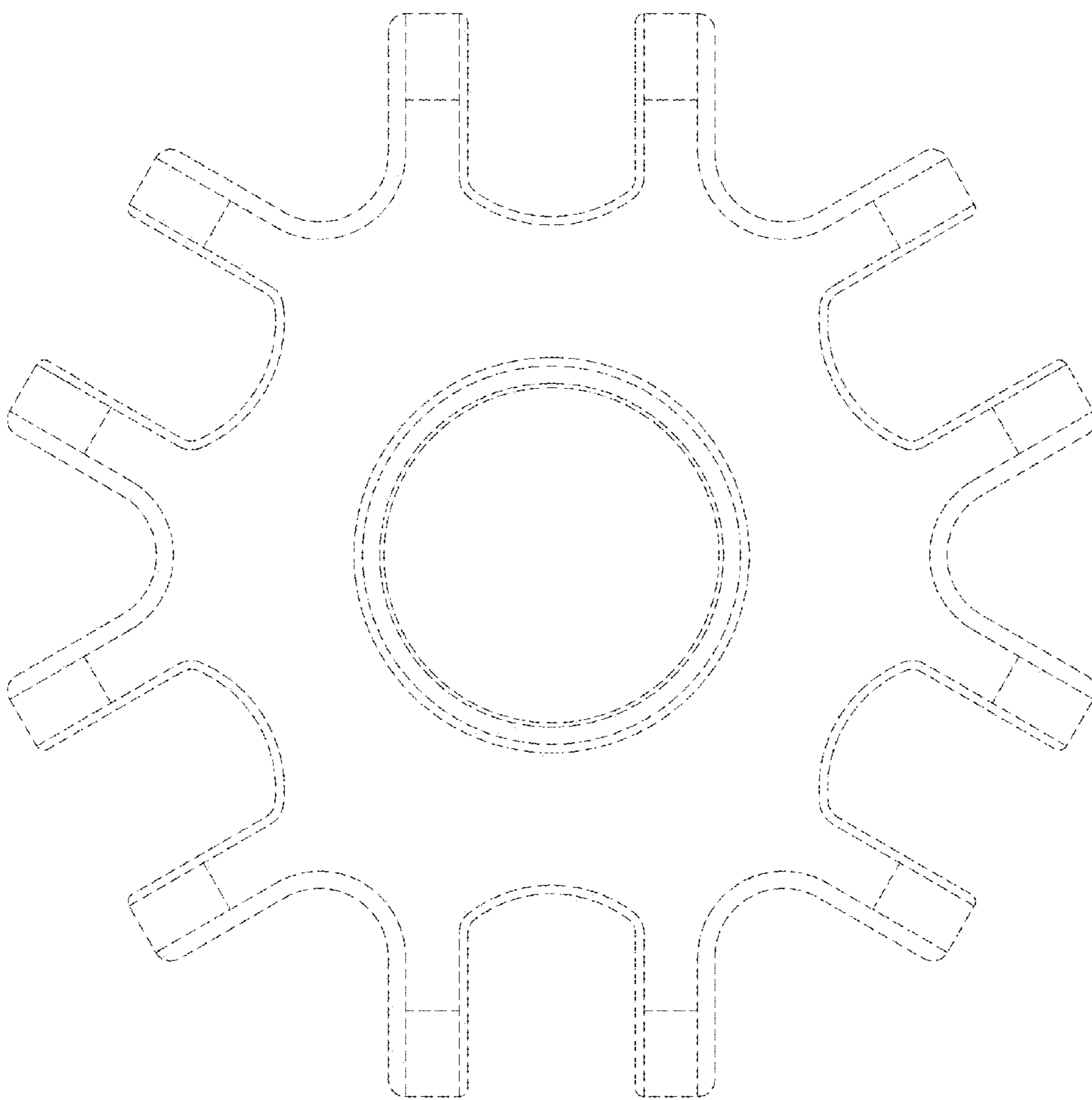


FIG. 4

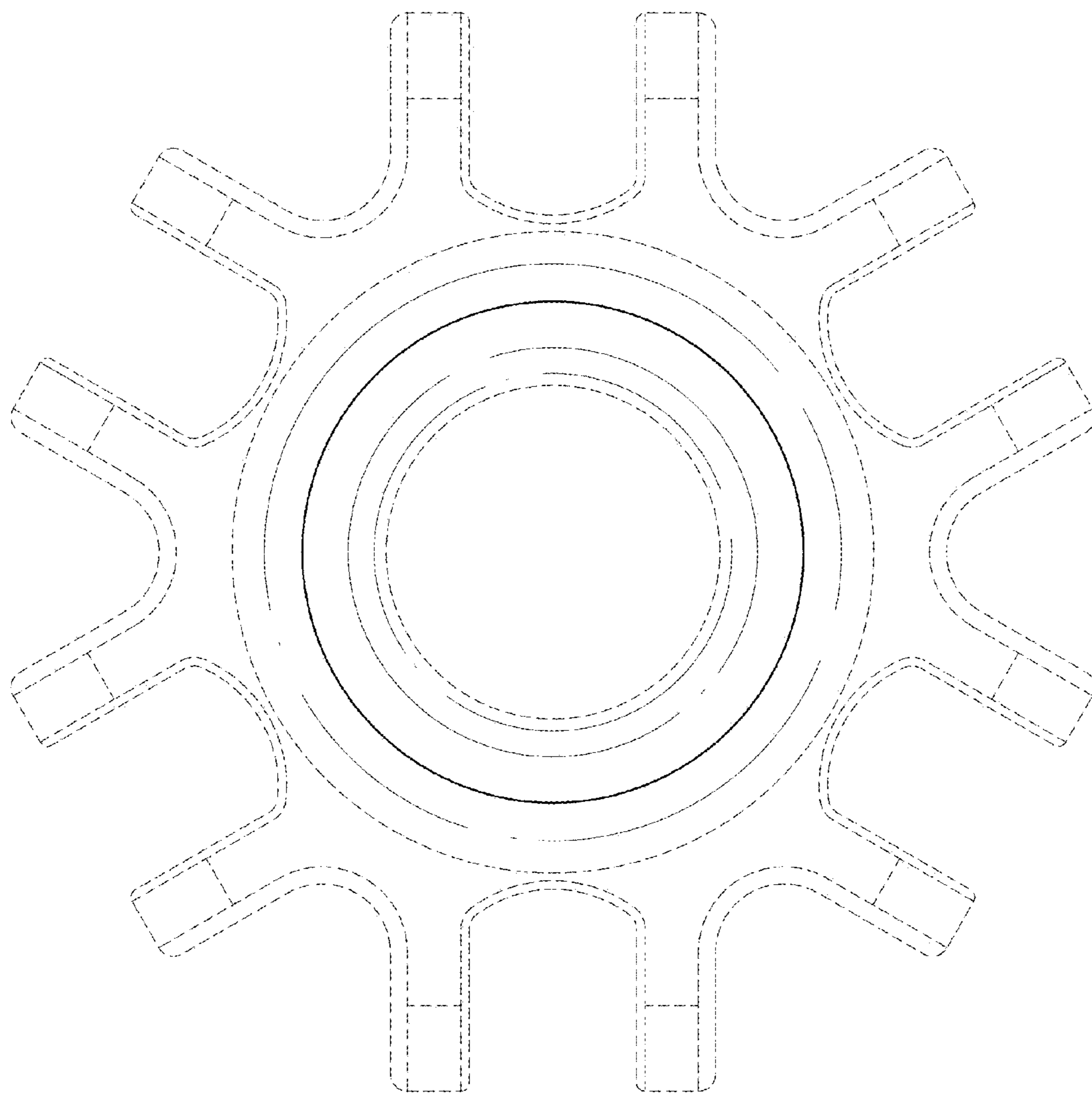


FIG. 5

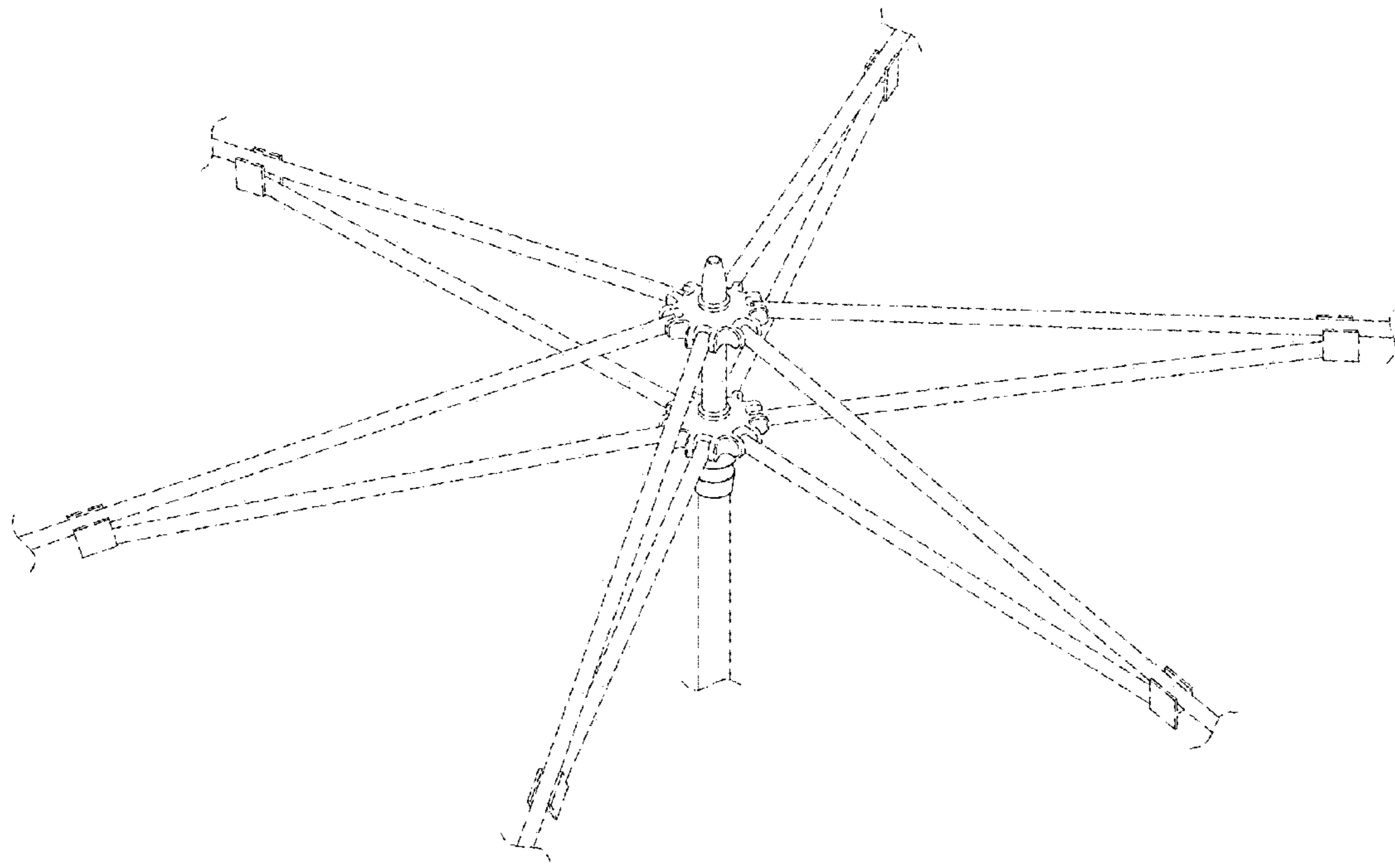


FIG. 6