



US00D738608S

(12) **United States Design Patent**
Forthuber

(10) **Patent No.:** **US D738,608 S**

(45) **Date of Patent:** **** Sep. 15, 2015**

(54) **UMBRELLA**

(71) Applicant: **doppler E. Doppler & Co. GmbH**,
Braunau-Ranshofen (AT)

(72) Inventor: **Herbert Forthuber**, Simbach (DE)

(73) Assignee: **doppler E. Doppler & Co. GmbH**,
Braunau-Ranshofen (AT)

(**) Term: **14 Years**

(21) Appl. No.: **29/499,932**

(22) Filed: **Aug. 20, 2014**

(51) **LOC (10) Cl.** **03-03**

(52) **U.S. Cl.**
USPC **D3/5**

(58) **Field of Classification Search**
USPC D3/5, 6, 10; D20/19; D25/56; 446/246;
296/97.1; 297/184.15, 184.16
CPC A63H 13/20; E04H 15/30; A45B 23/00;
A45B 25/18; A45B 25/06; A45B 3/04;
B60J 3/0278; A47C 7/66
See application file for complete search history.

(56) **References Cited**

U.S. PATENT DOCUMENTS

1,615,663	A	*	1/1927	Varga	446/246
D260,322	S	*	8/1981	Williams	D3/5
D342,378	S	*	12/1993	Pedorella	D3/6
5,449,014	A	*	9/1995	Yan-ho	135/95
5,505,221	A	*	4/1996	Gao	135/20.1
D371,901	S	*	7/1996	Perls	D3/5
5,640,984	A	*	6/1997	Dubunsky	135/33.2
D409,369	S	*	5/1999	Vega	D3/5
D419,759	S	*	2/2000	Goudarzi	D3/5
D472,273	S	*	3/2003	Haugen	D20/19
6,651,682	B1	*	11/2003	Woodward	135/28
D491,348	S	*	6/2004	Clarke	D3/5
7,431,389	B2	*	10/2008	Reeb et al.	297/184.15
D580,072	S	*	11/2008	Lenahan	D25/56
D599,103	S	*	9/2009	Hoogendoorn et al.	D3/5
D618,899	S	*	7/2010	Hoogendoorn et al.	D3/5

D621,600	S	*	8/2010	He	D3/5
D623,393	S	*	9/2010	You	D3/5
D625,507	S	*	10/2010	Quinn	D3/5
D625,509	S	*	10/2010	Quinn	D3/10
D627,148	S	*	11/2010	Quinn	D3/5

(Continued)

FOREIGN PATENT DOCUMENTS

CN	302259037	*	1/2013
JP	D1415436	*	6/2011

OTHER PUBLICATIONS

Above & Beyond Shop Talk: Choosing Patio Umbrellas, Announced May 28, 2013, [Site Visited Jun. 24, 2015] <http://blog.bedbathandbeyond.com/2013/05/shop-talk-choosing-patio-umbrellas/>.*

(Continued)

Primary Examiner — Eric Goodman
Assistant Examiner — Luqman McNeil
(74) *Attorney, Agent, or Firm* — Collard & Roe, P.C.

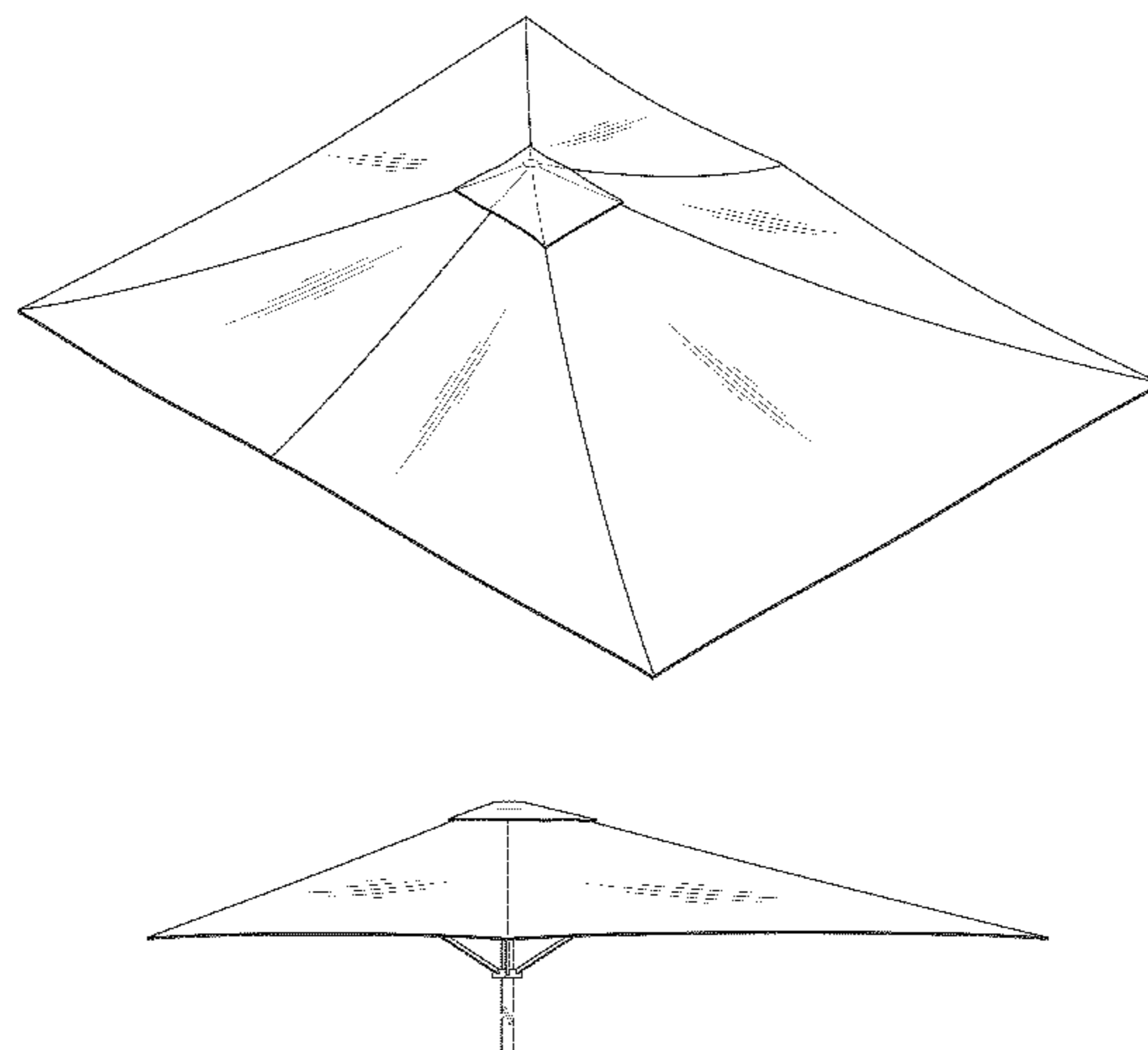
(57) **CLAIM**

The ornamental design for an umbrella, as shown and described.

DESCRIPTION

FIG. 1 is a top, front and right side perspective view of an umbrella, showing my new design;
FIG. 2 is a top view thereof;
FIG. 3 is a bottom view thereof;
FIG. 4 is a front view thereof;
FIG. 5 is a right side view thereof;
FIG. 6 is a rear view thereof; and,
FIG. 7 is a left side view thereof.
The umbrella staff is shown with a symbolic break in length. The appearance of any portion of the article between the break lines forms no part of the claimed design.

1 Claim, 5 Drawing Sheets



(56)

References Cited

U.S. PATENT DOCUMENTS

D640,464 S * 6/2011 Forthuber et al. D3/5
8,091,962 B2 * 1/2012 Quinn 297/184.16
D668,036 S * 10/2012 Veenenbos D3/5
D674,179 S * 1/2013 Joo D3/5
D677,046 S * 3/2013 Hoogendoorn D3/5
2005/0121063 A1 * 6/2005 Chang 135/910
2005/0253411 A1 * 11/2005 Chai et al. 296/97.1
2008/0149152 A1 * 6/2008 Huang 135/20.1

OTHER PUBLICATIONS

Simply Good As Its Is Swim Time Seabrook Sqaure, Announced May 24, 2013, [Site Visited Jun. 24, 2015] <http://cantileverpatioumbrel-laforyou.blogspot.com/2013/05/simply-good-as-it-is-swim-time.html>.
Emu Shade 6.5 Sqaure Manual Lift Umbrella, Announced Feb. 1, 2001, [Site Visited Jun. 24, 2015] <http://www.patioliving.com/emu-6-feet-wide-patio-umbrella-em980/>.

* cited by examiner

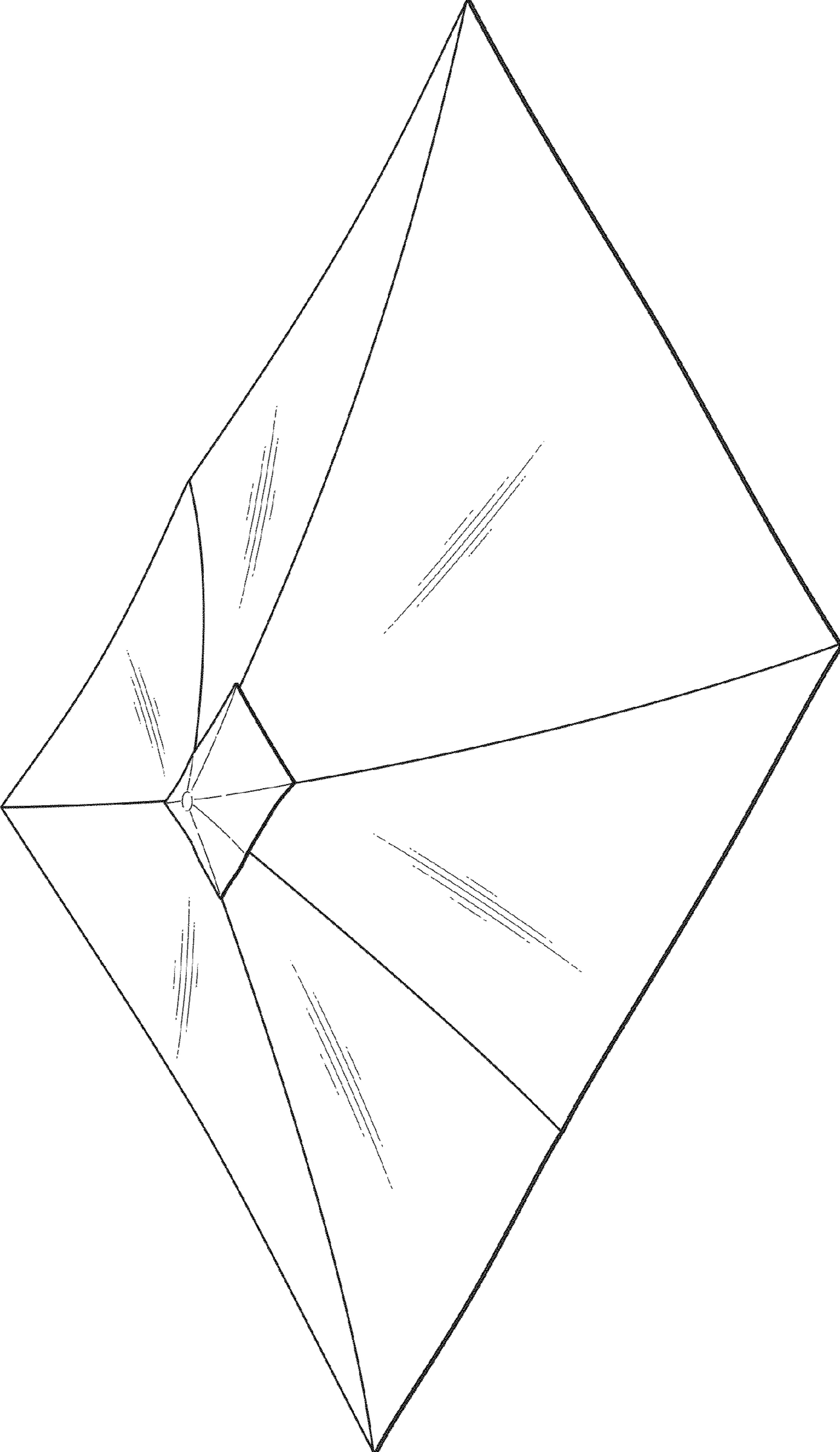


FIG. 1

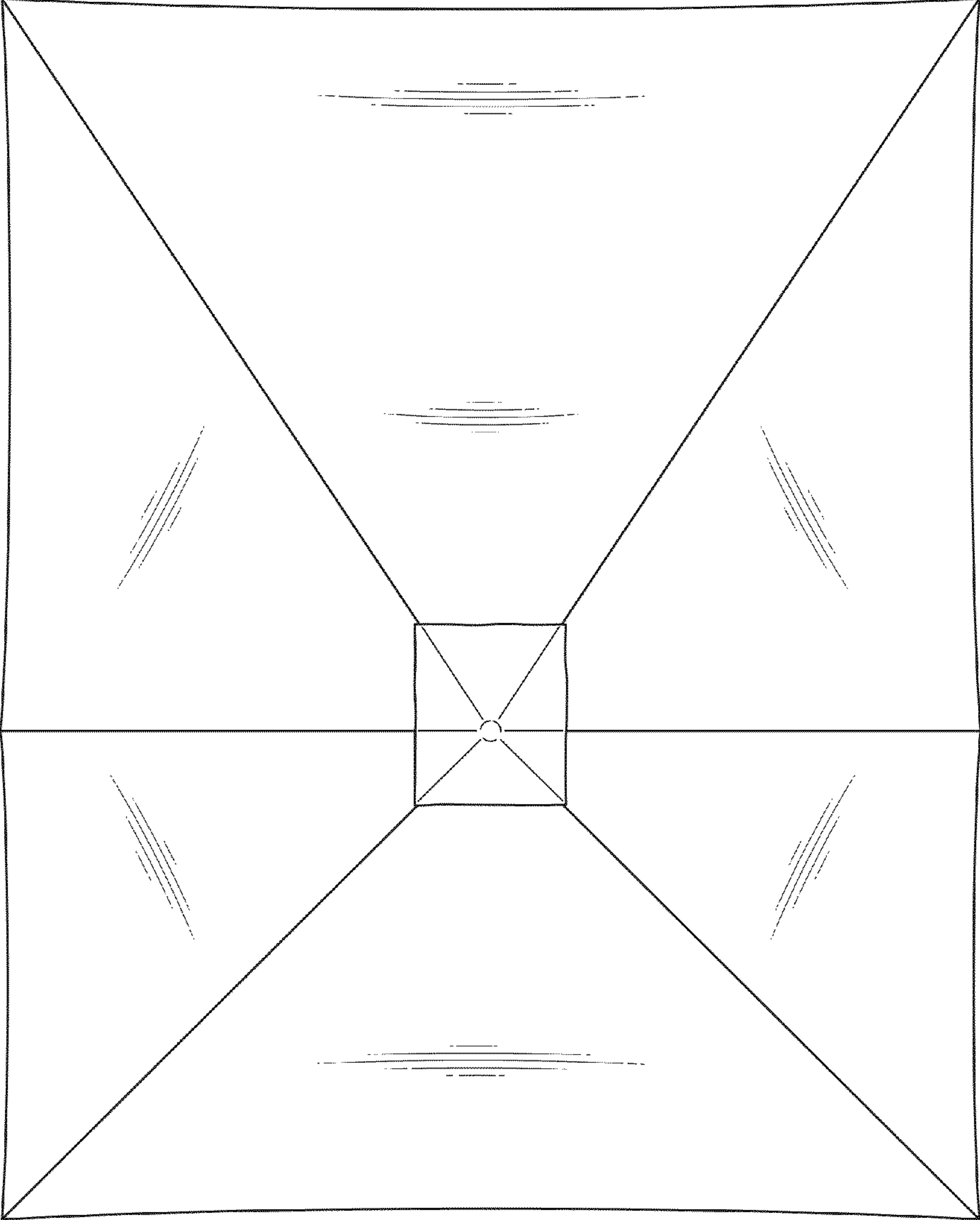


FIG. 2

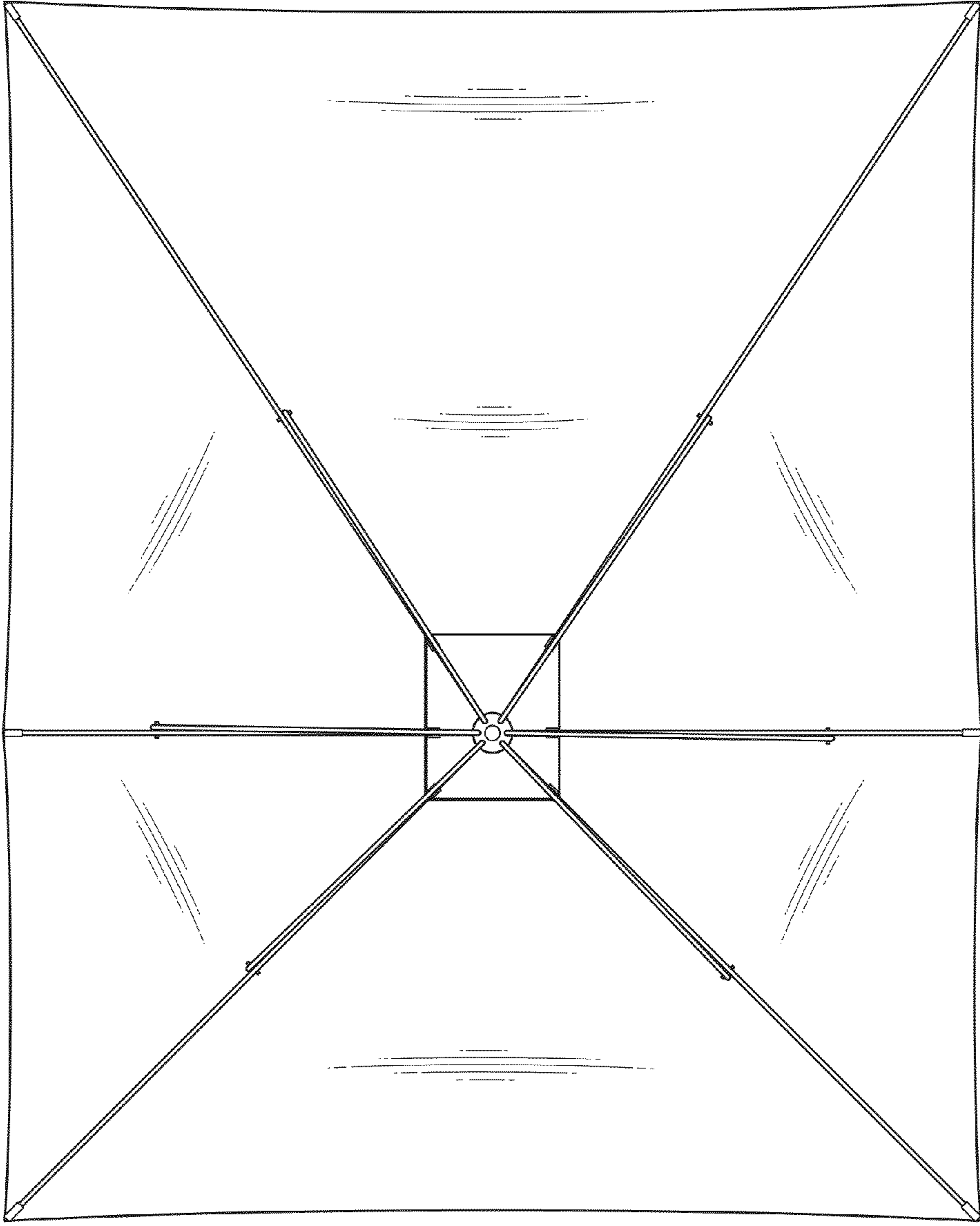


FIG. 3

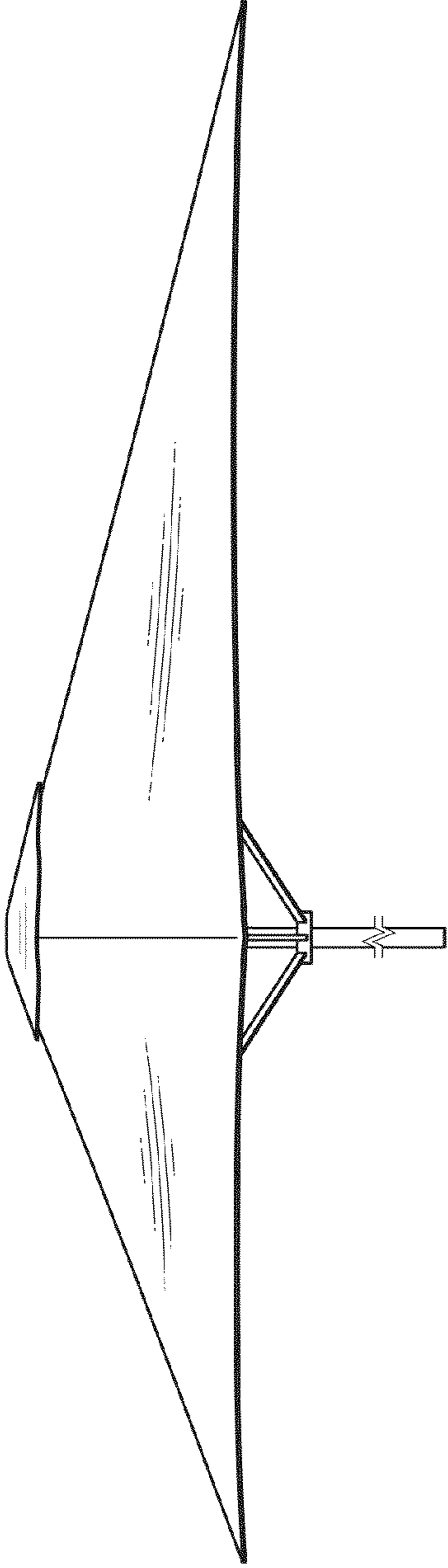


FIG. 4

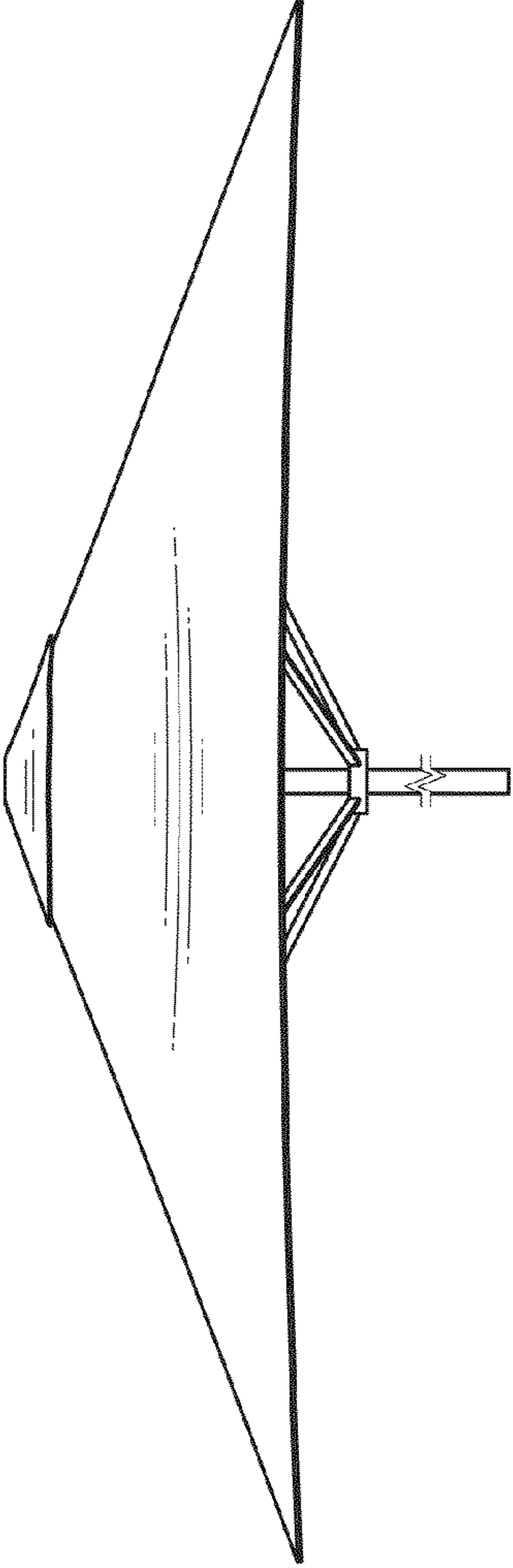


FIG. 5

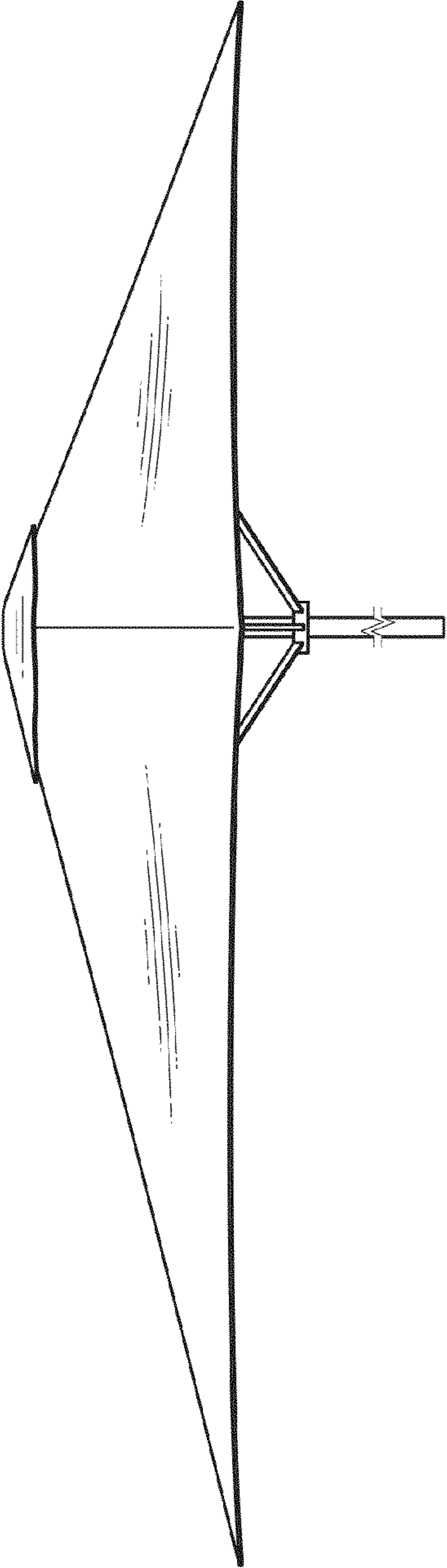


FIG. 6

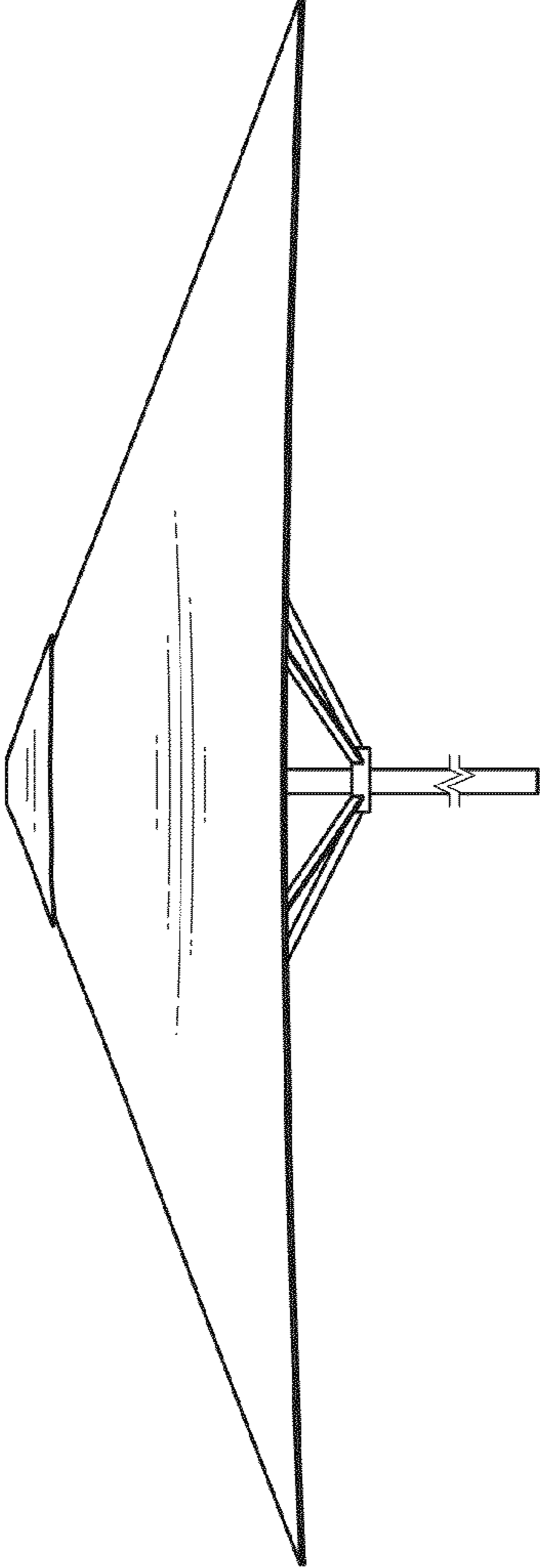


FIG. 7