



US00D738590S

(12) **United States Design Patent**
Taborek et al.

(10) **Patent No.:** **US D738,590 S**
(45) **Date of Patent:** **** Sep. 8, 2015**

(54) **RAIN BARREL**

(71) Applicant: **THE GREEN RAIN BARREL INCORPORATED**, Huntersville, NC (US)

(72) Inventors: **Joseph W. Taborek**, Huntersville, NC (US); **Keith Richard Radt**, Charlotte, NC (US); **Paul Michael Elhardt**, Charlotte, NC (US)

(73) Assignee: **The Green Rain Barrel Incorporated**, Huntersville, NC (US)

(**) Term: **14 Years**

(21) Appl. No.: **29/489,298**

(22) Filed: **Apr. 29, 2014**

Related U.S. Application Data

(63) Continuation of application No. 29/395,474, filed on Jan. 27, 2012, now Pat. No. Des. 703,911.

(51) **LOC (10) Cl.** **09-02**

(52) **U.S. Cl.**
USPC **D34/39**

(58) **Field of Classification Search**
USPC D34/39; D23/200, 202, 205; 220/565, 220/908, 908.1; D11/143, 122, 153; D7/558, 565, 584

CPC B65D 88/02; B65D 88/04; B65D 90/24; B65D 90/08; E04H 12/30
See application file for complete search history.

(56) **References Cited**

U.S. PATENT DOCUMENTS

D596,372 S 7/2009 Lawrence
D598,621 S 8/2009 Carey

(Continued)

OTHER PUBLICATIONS

Flexeel; Plastair SpringJet 50-Foot Coiled Water Hose and Wand Set, Internet Advertisement; published prior to Jun. 30, 2008; 1 page.

(Continued)

Primary Examiner — Cynthia Ramirez

(74) *Attorney, Agent, or Firm* — Schwartz Law Firm, P.C.

(57) **CLAIM**

The ornamental design for a rain barrel, as shown and described.

DESCRIPTION

FIG. 1 is a perspective view of the rain barrel with elements shown in broken lines forming no part of the claimed design; and FIG. 1 comprising a broken-line circle at reference numeral 2 isolating a representative surface area of the rain barrel incorporating a uniformly-distributed textured leaf pattern also shown in broken lines; the textured leaf pattern forming no part of the claimed design;

FIG. 2 is an enlarged view of the textured leaf pattern shown within the broken-line circle of FIG. 1; the textured leaf pattern shown in broken lines and forming no part of the claimed design;

FIG. 3 is a further perspective view of the rain barrel thereof;

FIG. 4 is a front view thereof;

FIG. 5 is a right side view thereof;

FIG. 6 is a left side view thereof;

FIG. 7 is a top view thereof;

FIG. 8 is a bottom view thereof;

FIG. 9 is a further perspective view thereof;

FIG. 10 is a perspective view of another embodiment of a rain barrel;

FIG. 11 is a further perspective view thereof;

FIG. 12 is a front view thereof;

FIG. 13 is a right side view thereof;

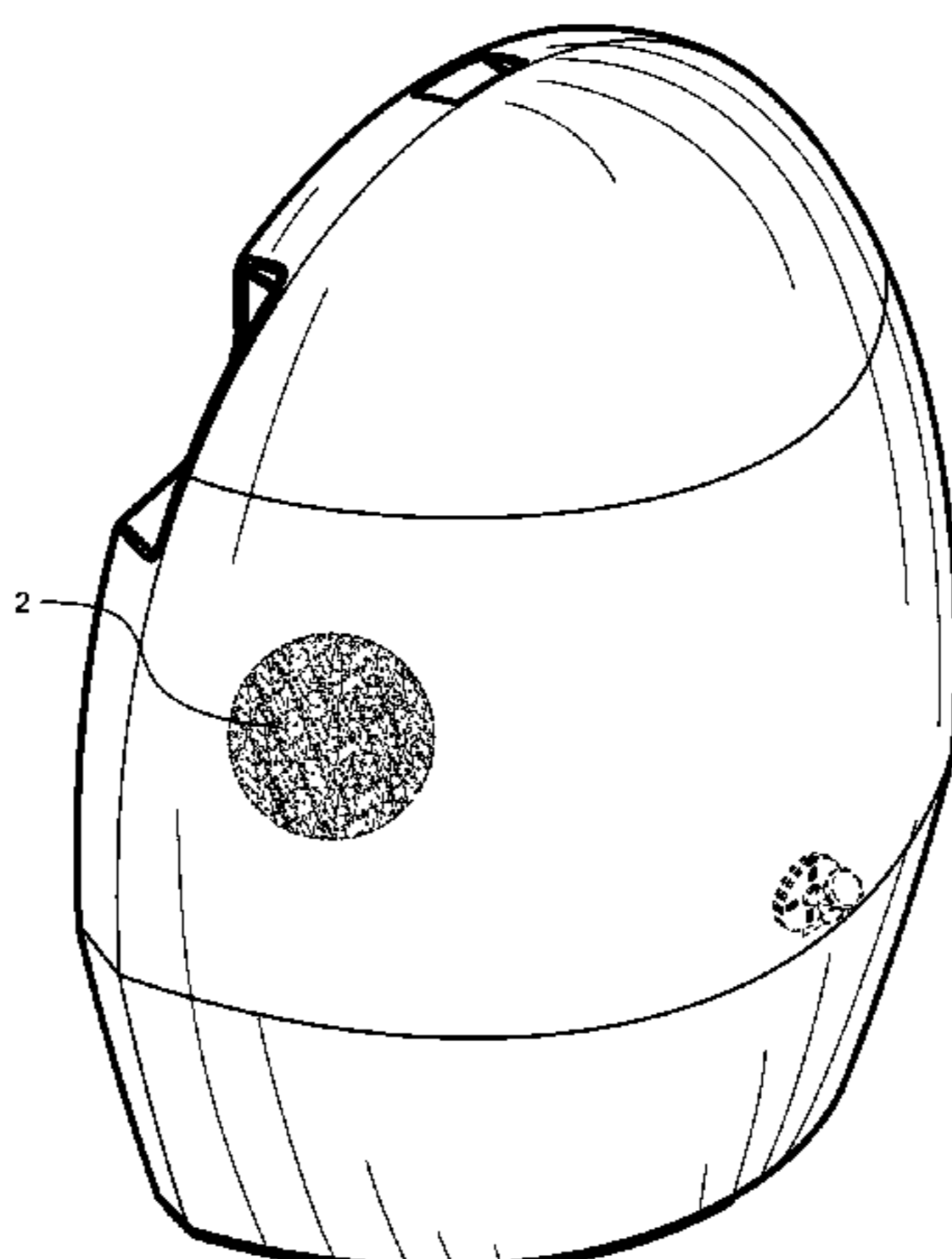
FIG. 14 is a left side view thereof;

FIG. 15 is a top view thereof; and,

FIG. 16 is a bottom view thereof.

The broken lines shown in the figures is included for the purpose of illustrating portions of the rain barrel and forms no part of the claimed design.

1 Claim, 11 Drawing Sheets



(56)

References Cited

U.S. PATENT DOCUMENTS

D599,975 S	9/2009	Magee	
D603,575 S	11/2009	Kerman et al.	
D604,475 S	11/2009	Bender et al.	
D605,375 S	12/2009	Anderson et al.	
D613,925 S	4/2010	Chenkin	
D615,273 S	5/2010	Magee	
D640,034 S	6/2011	Martheenal	
D663,094 S	7/2012	Nomblot	
D688,023 S	8/2013	Smeaton	
D703,911 S *	4/2014	Taborek et al. D34/39
2002/0008107 A1	1/2002	Neuhaus	

OTHER PUBLICATIONS

Taizhou Huangyan Kaitong Plastic Factory; qx81065 plastic water buckets; published prior to Jun. 30, 2008; 1 page.
 Gardener's Supply; Rain Barrels; published prior to Jun. 30, 2008; 1 page.
 Kentucky Whiskey Barrel Rain Barrels; <http://www.kentuckybarrels.com/RainBarrels.html>; Internet Advertisement; published prior to Jun. 30, 2008; 2 pages.

Rain Barrel Guide; "How to use rain barrels for water collection"; <http://www.rainbarrelguide.com>; Internet Advertisement; Copyright 2004; pp. 1-8.
 The Charlotte Observer; "Barrels help users get out of a pickle"; www.charlotte.com; published prior to Jun. 30, 2008; 1 page.
 The #1 Quality Rain Barrel—Spruce Creek Rain Saver for Water Conservation; <http://www.rainbarrel.net/specs.html>; Internet Advertisement; published prior to Jun. 30, 2008; 2 pgs.
 Clean Air Gardening; Rain Barrels; <http://www.cleairgardening.com/rainbarrels.html>; Internet Advertisement; published prior to Jun. 30, 2008; 2 pages.
 Rain Barrel How-To, Rainbarrels, Rain Barrels, Rainfall Calculator: Gardener's Supply; <http://www.gardeners.com>; Internet Advertisement; published prior to Jun. 30, 2008; 1 pg.
 Super Slim Lightweight Hoses; Gardener's Supply; <http://www.gardeners.com>; Internet Advertisement; published prior to Jun. 30, 2008; 1 pg.
 Plastic-Mart; Liquid Storage and Containment; <http://www.plastic-mart.com/class.php?cat=187>; Internet Advertisement; published prior to Jun. 30, 2008; 1 pg.
 New and Used Kentucky Whiskey Barrels, Wine Barrels, etc.; <http://www.kentuckybarrels.com>; Kentucky Barrels LLC; Internet Advertisement; published prior to Jun. 30, 2008; 1 pg.
 RainPerfect; Solar Powered Rain Barrel Pump System; Rule Innovations; www.SkyMall.com; Published prior to Jan. 27, 2012; 1 page.

* cited by examiner

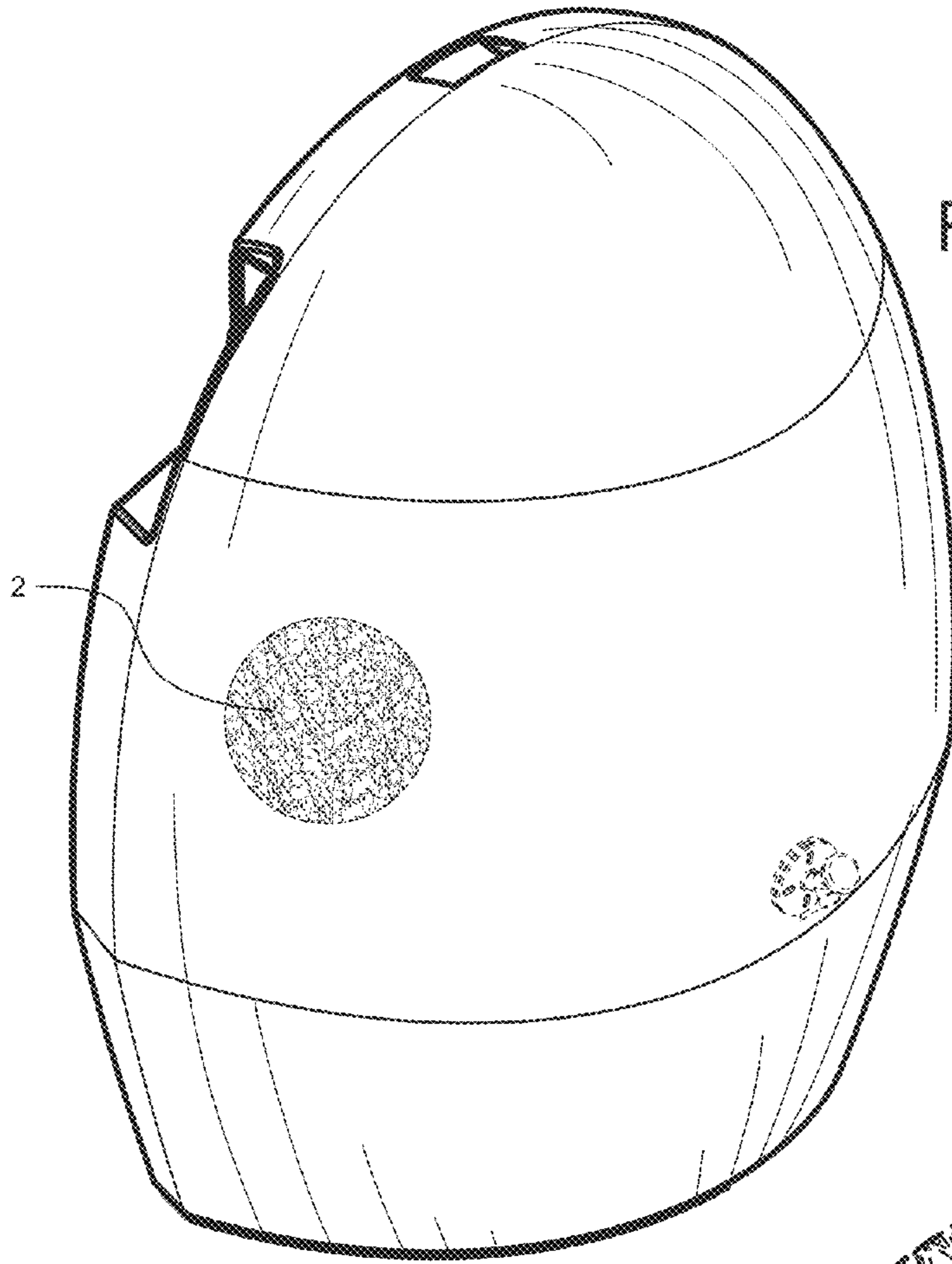


Fig. 1

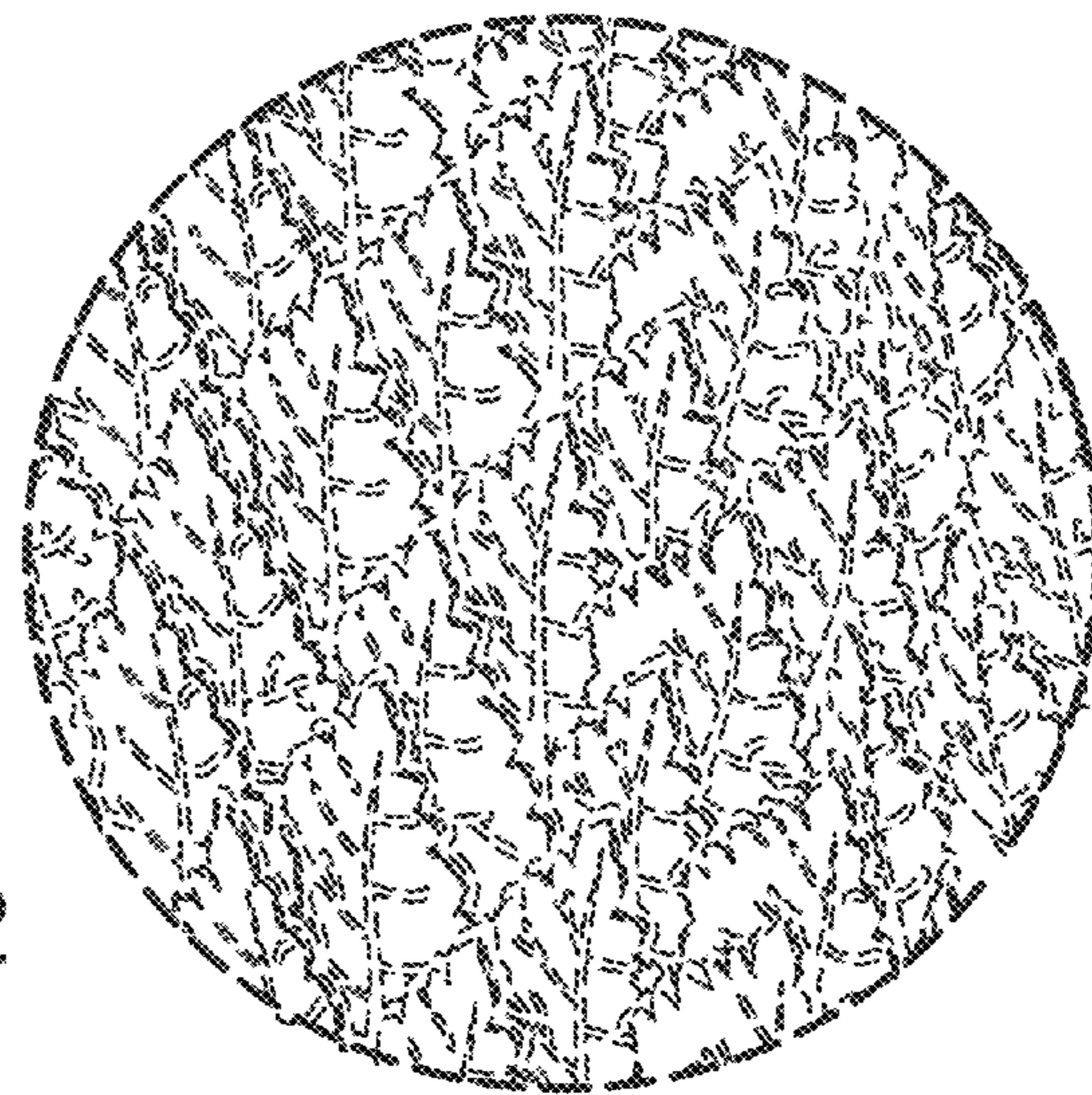


Fig. 2

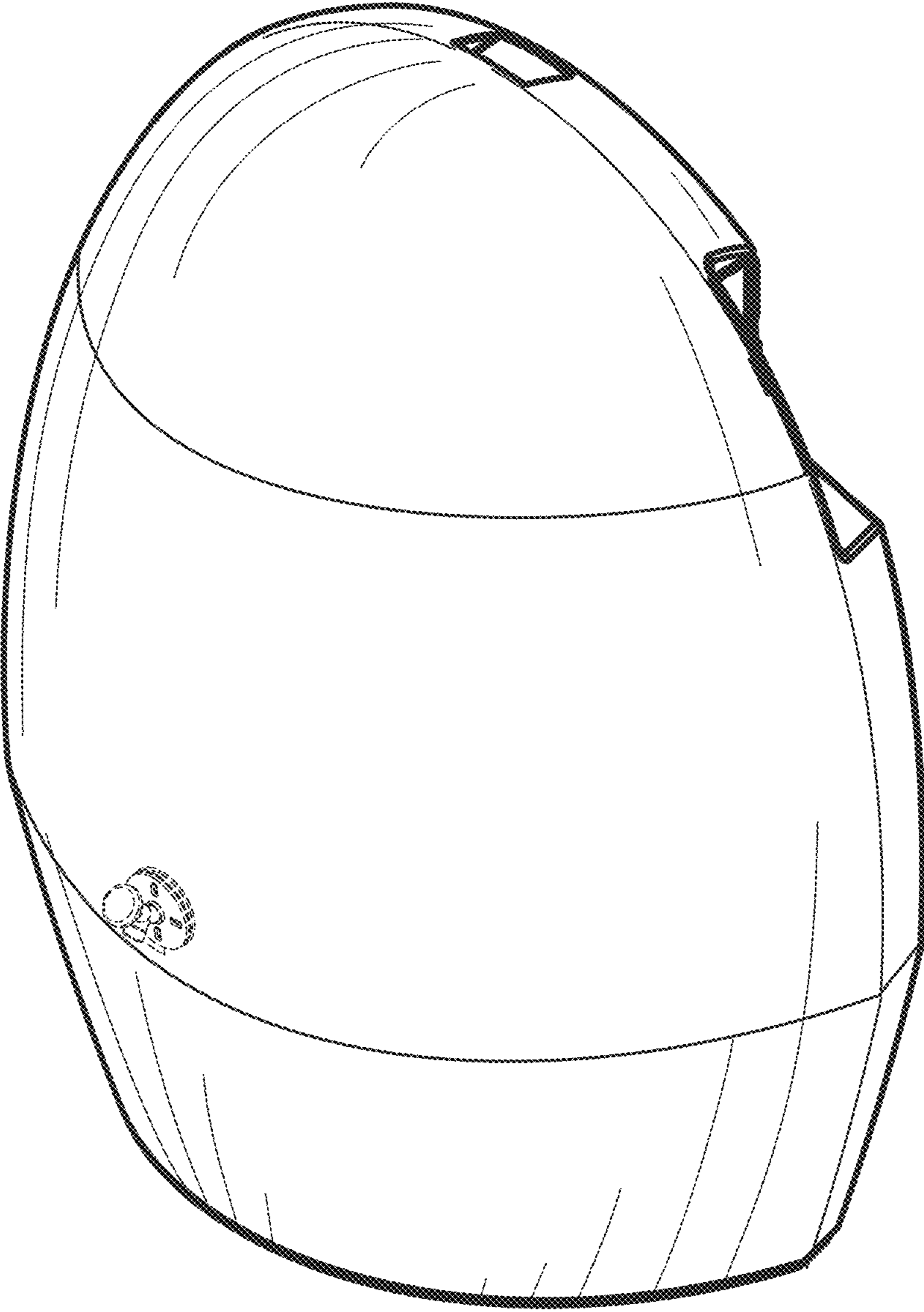


Fig. 3

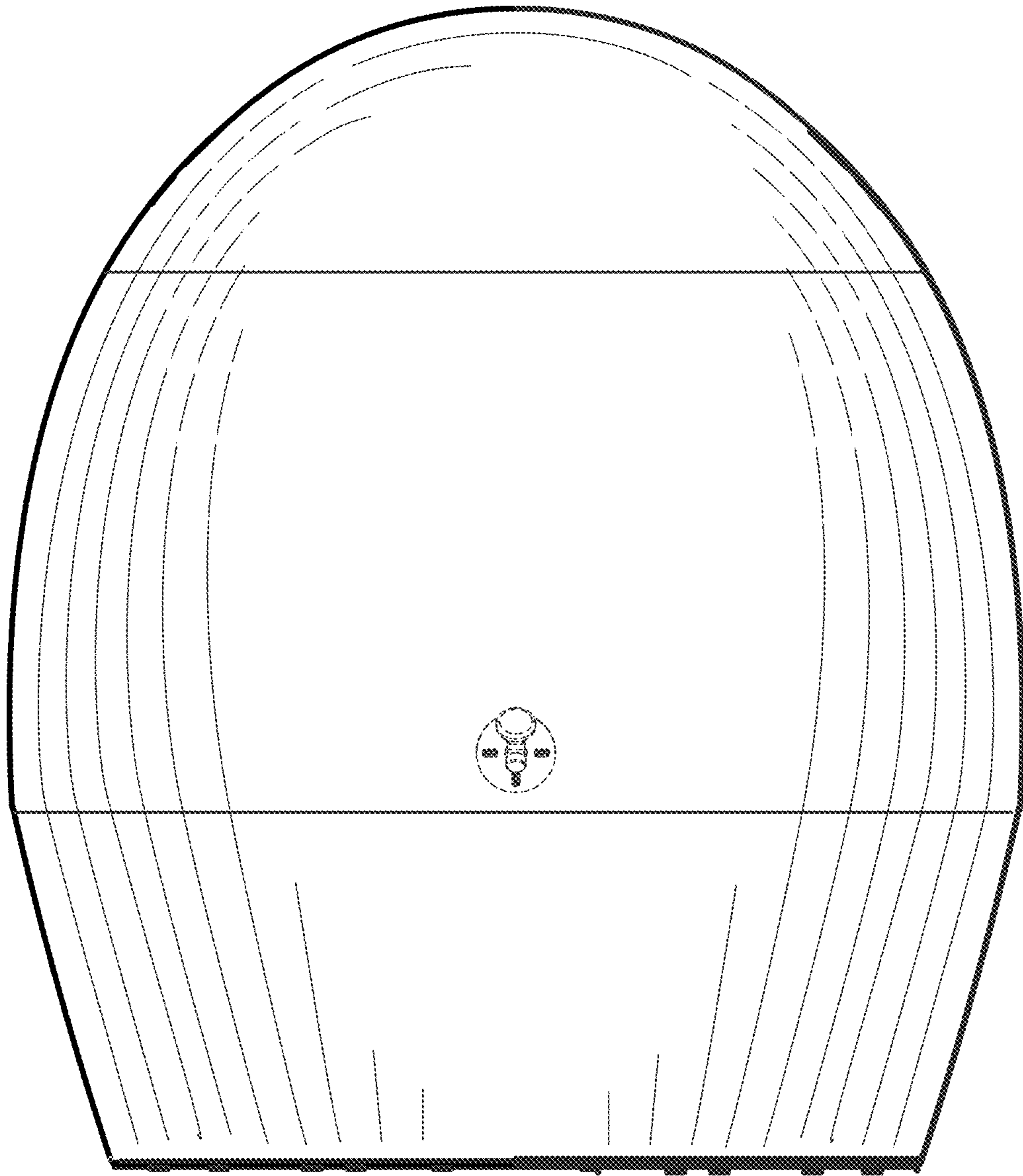


Fig. 4

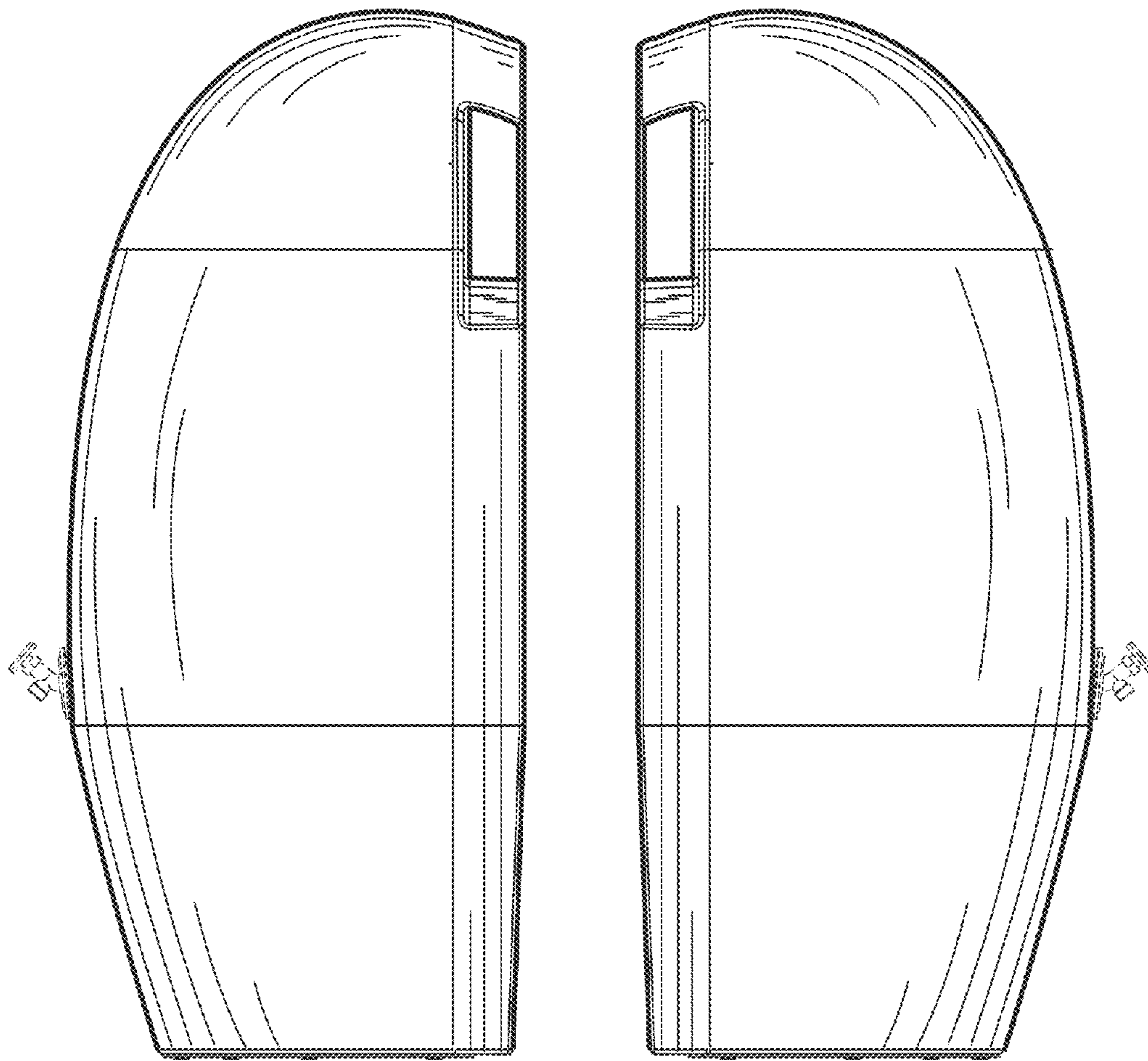


Fig. 5

Fig. 6

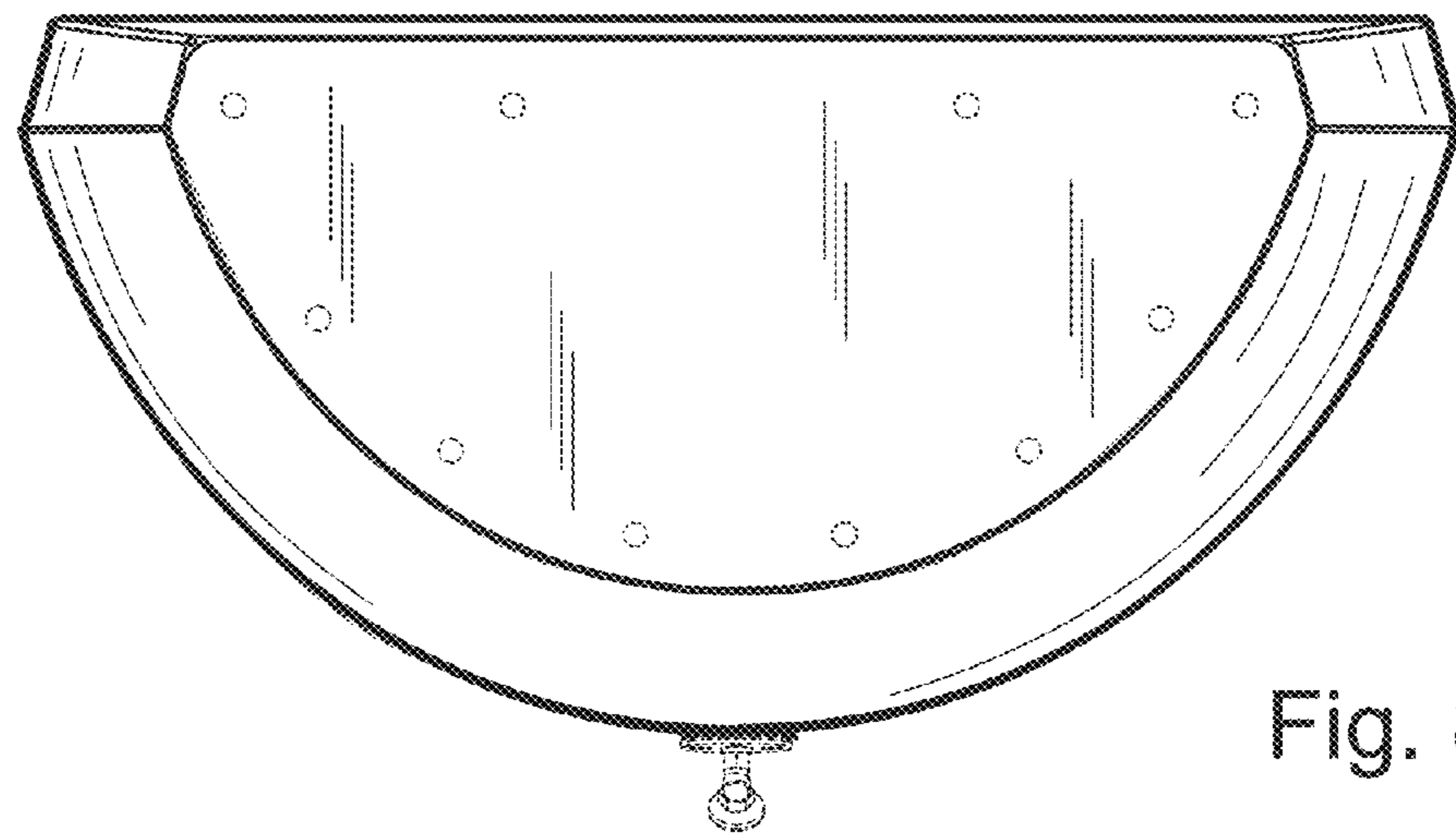
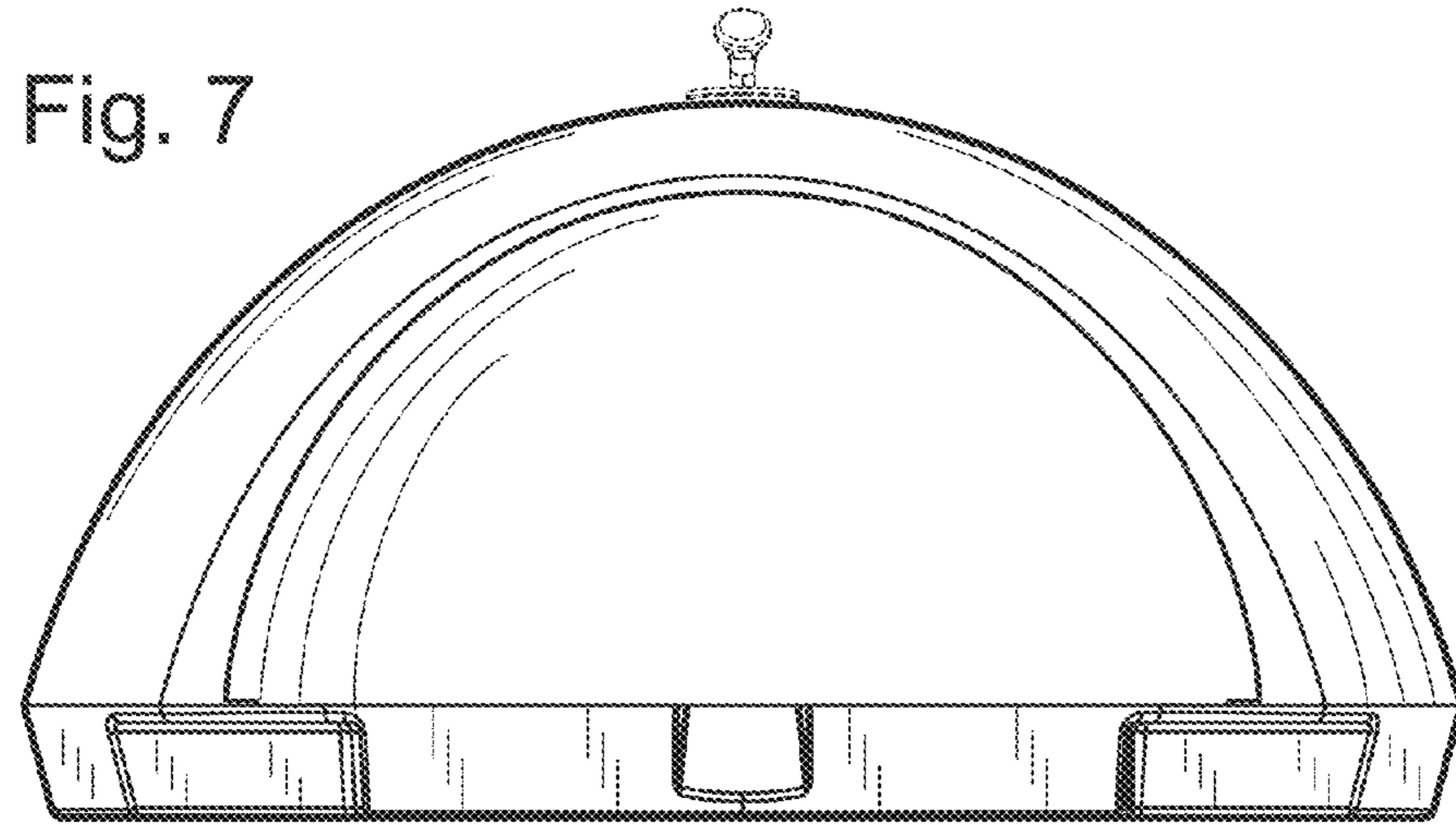


Fig. 8

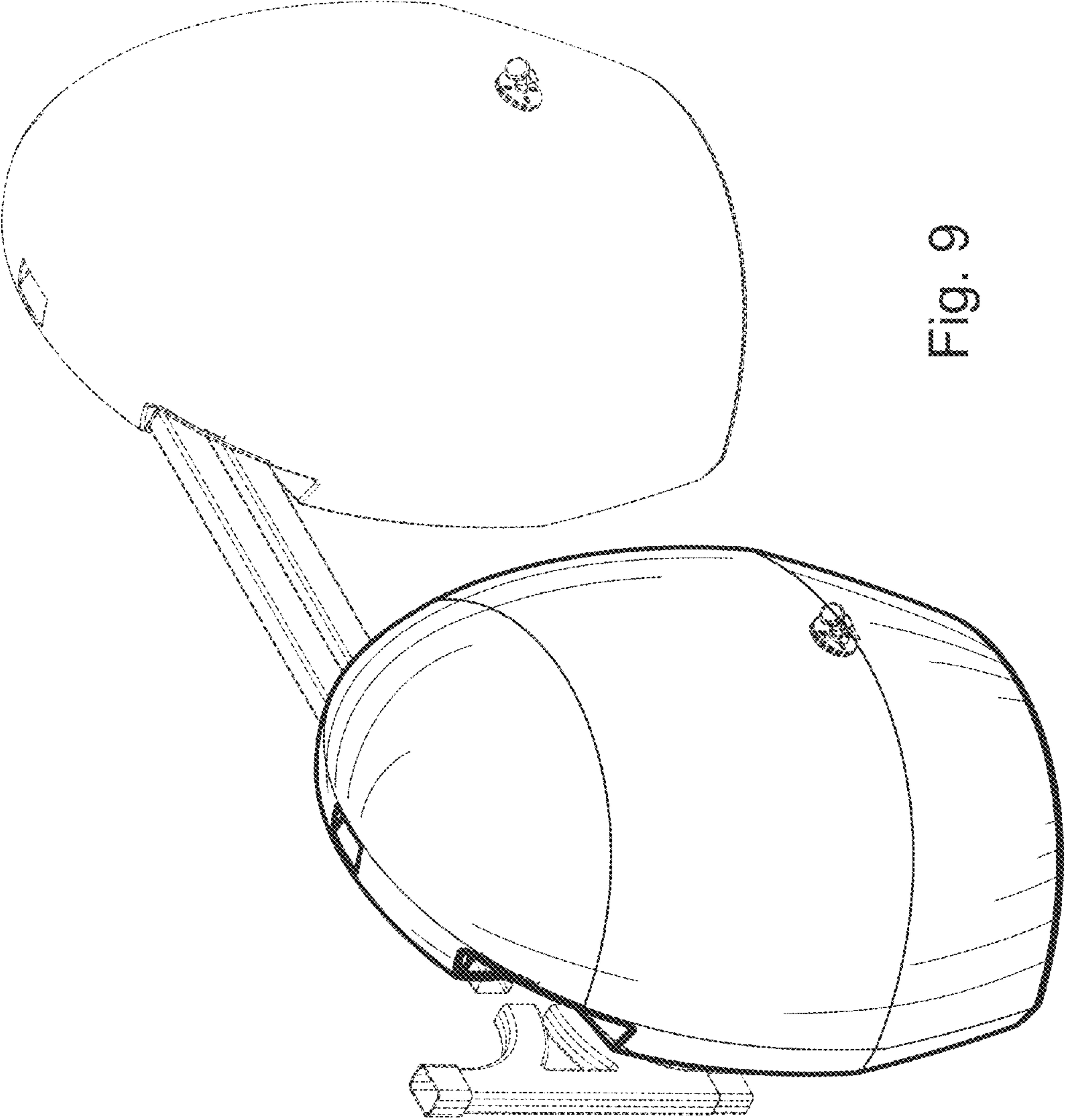


Fig. 9

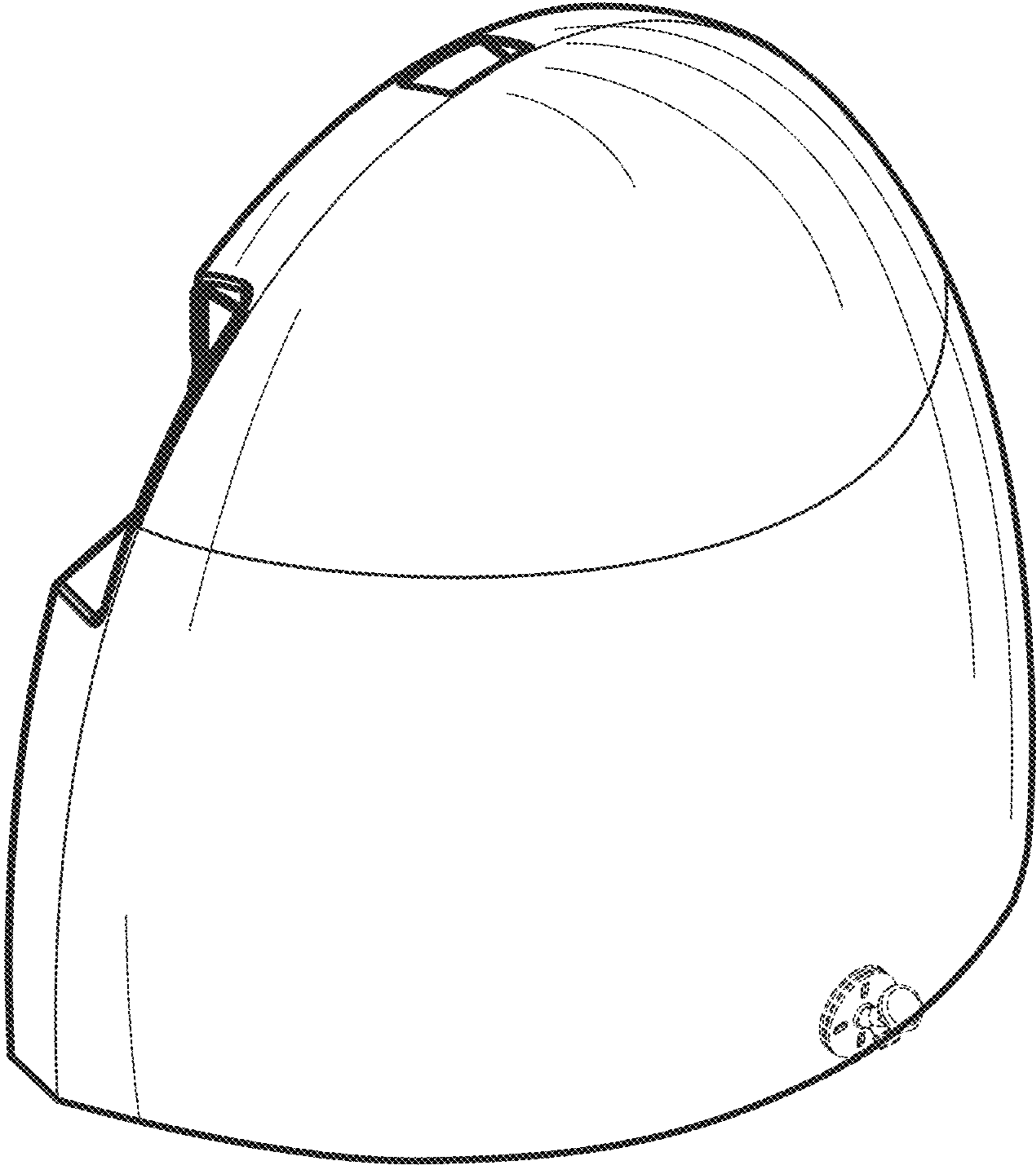


Fig. 10

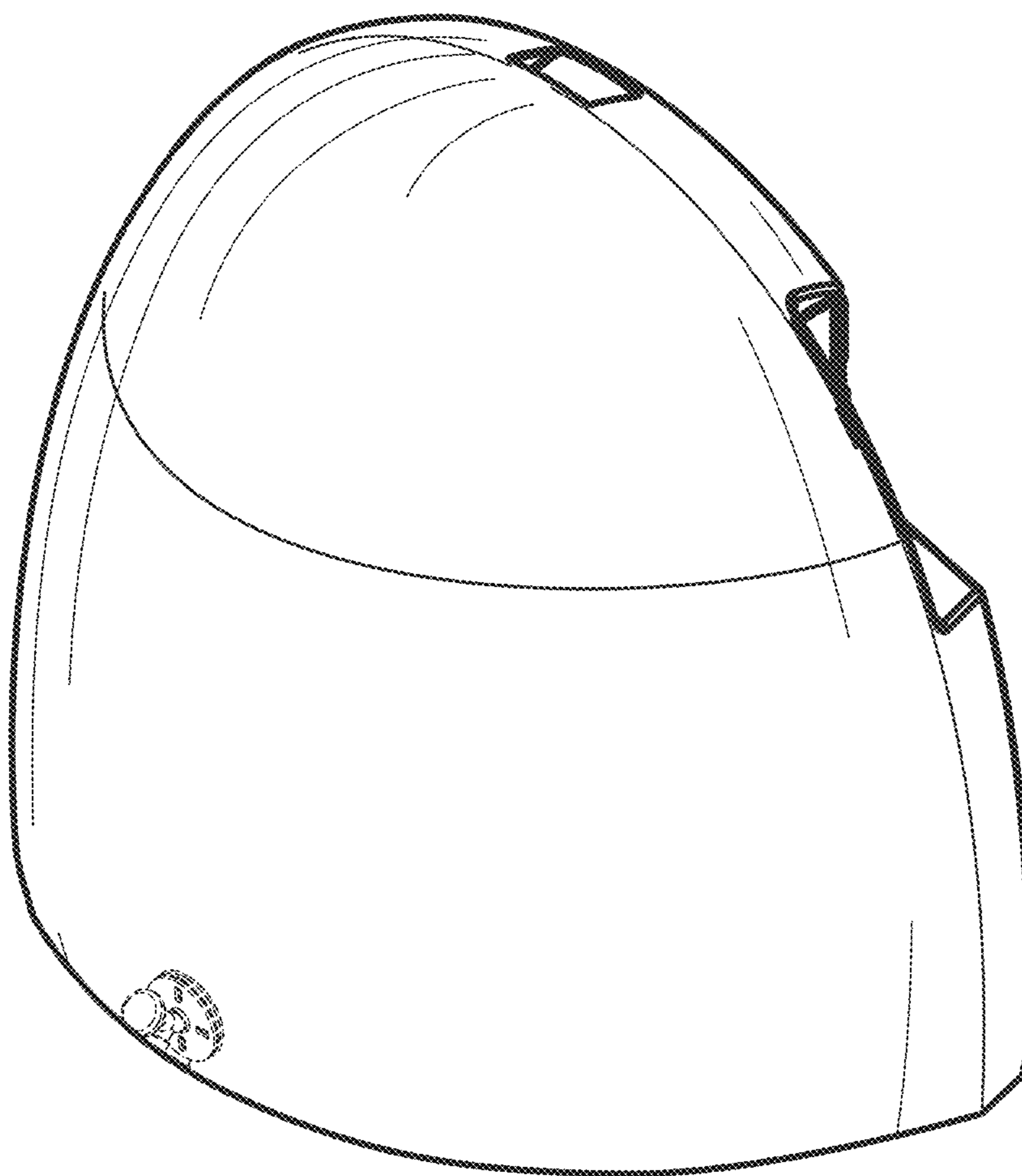


Fig. 11

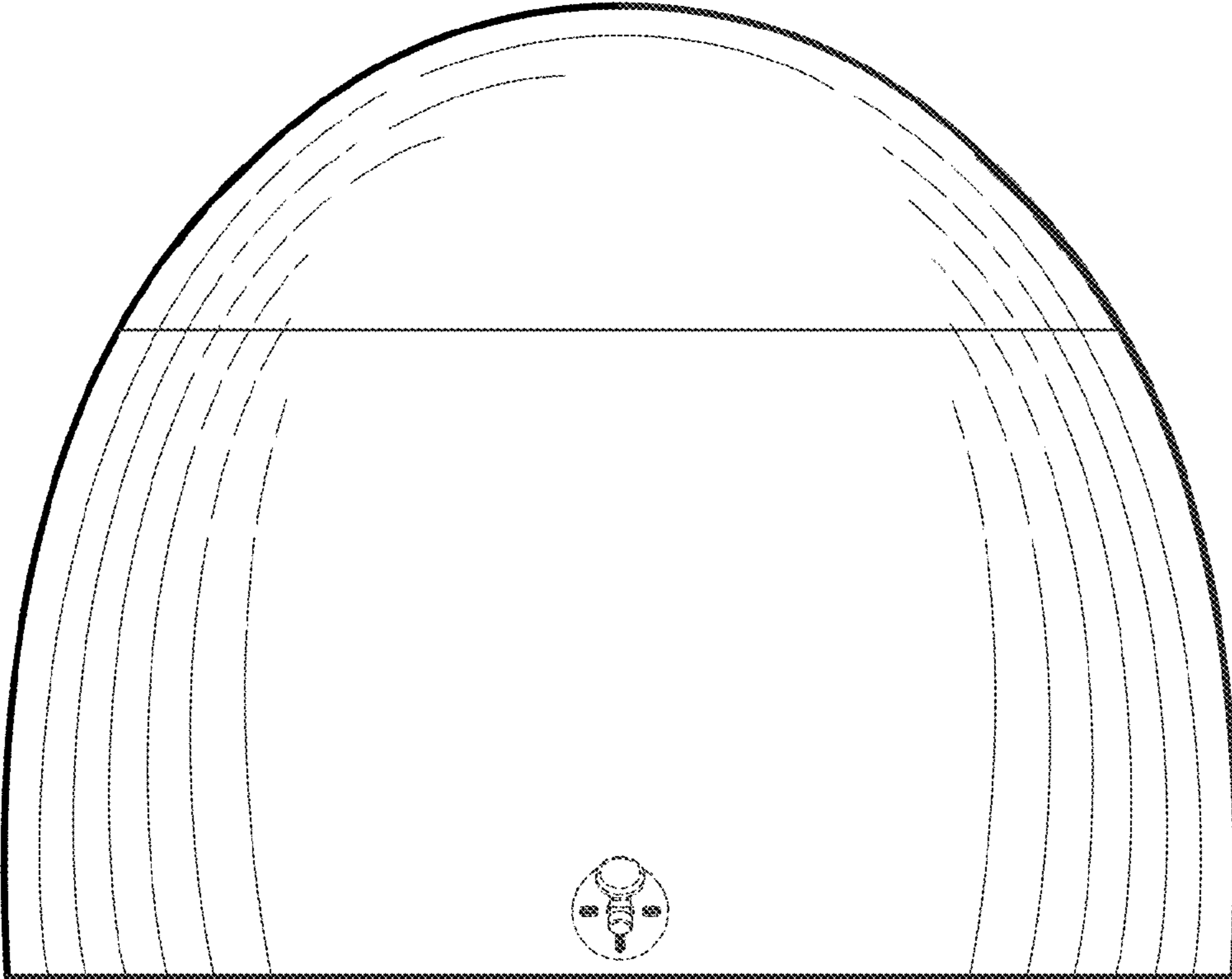


Fig. 12

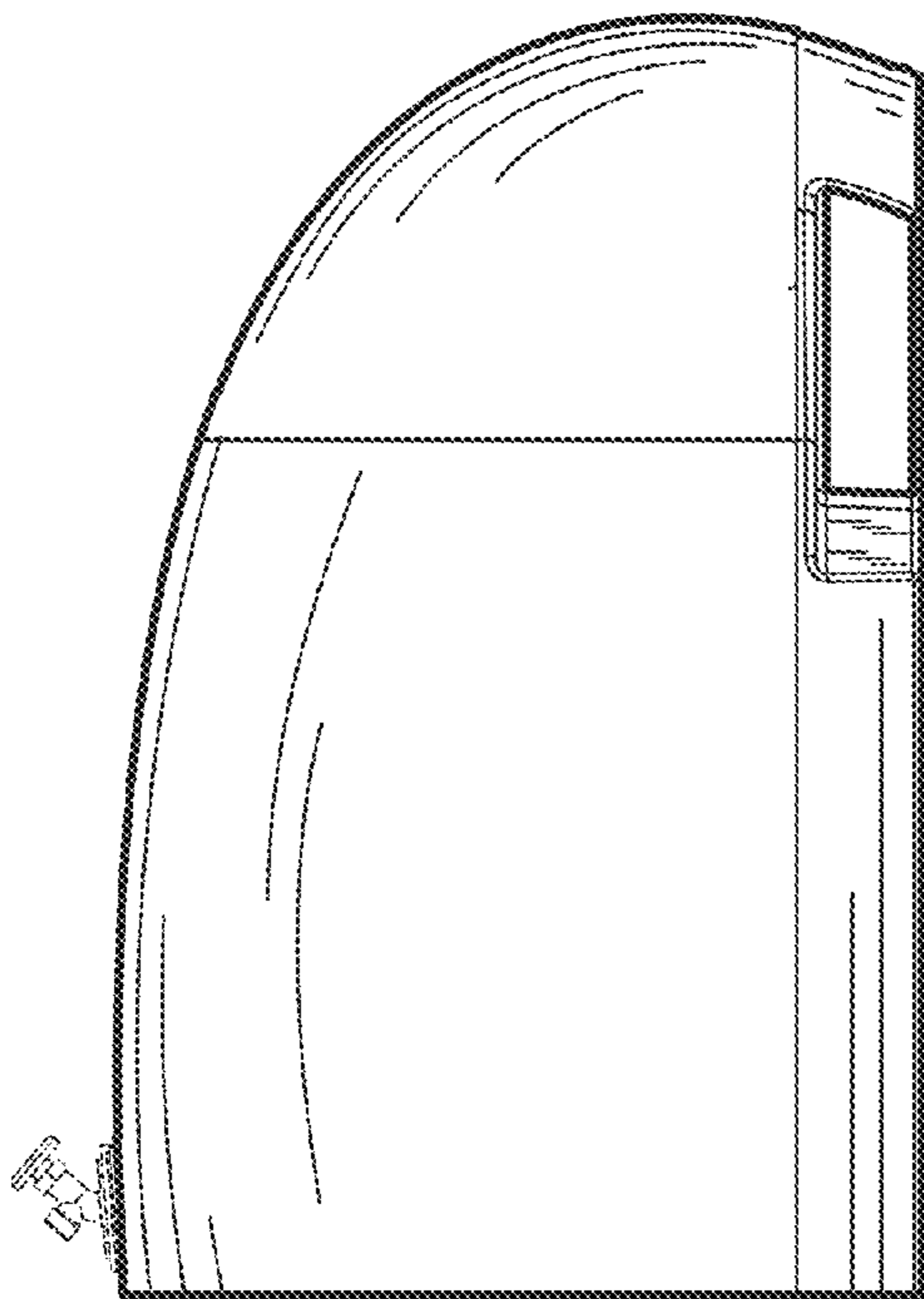


Fig. 13

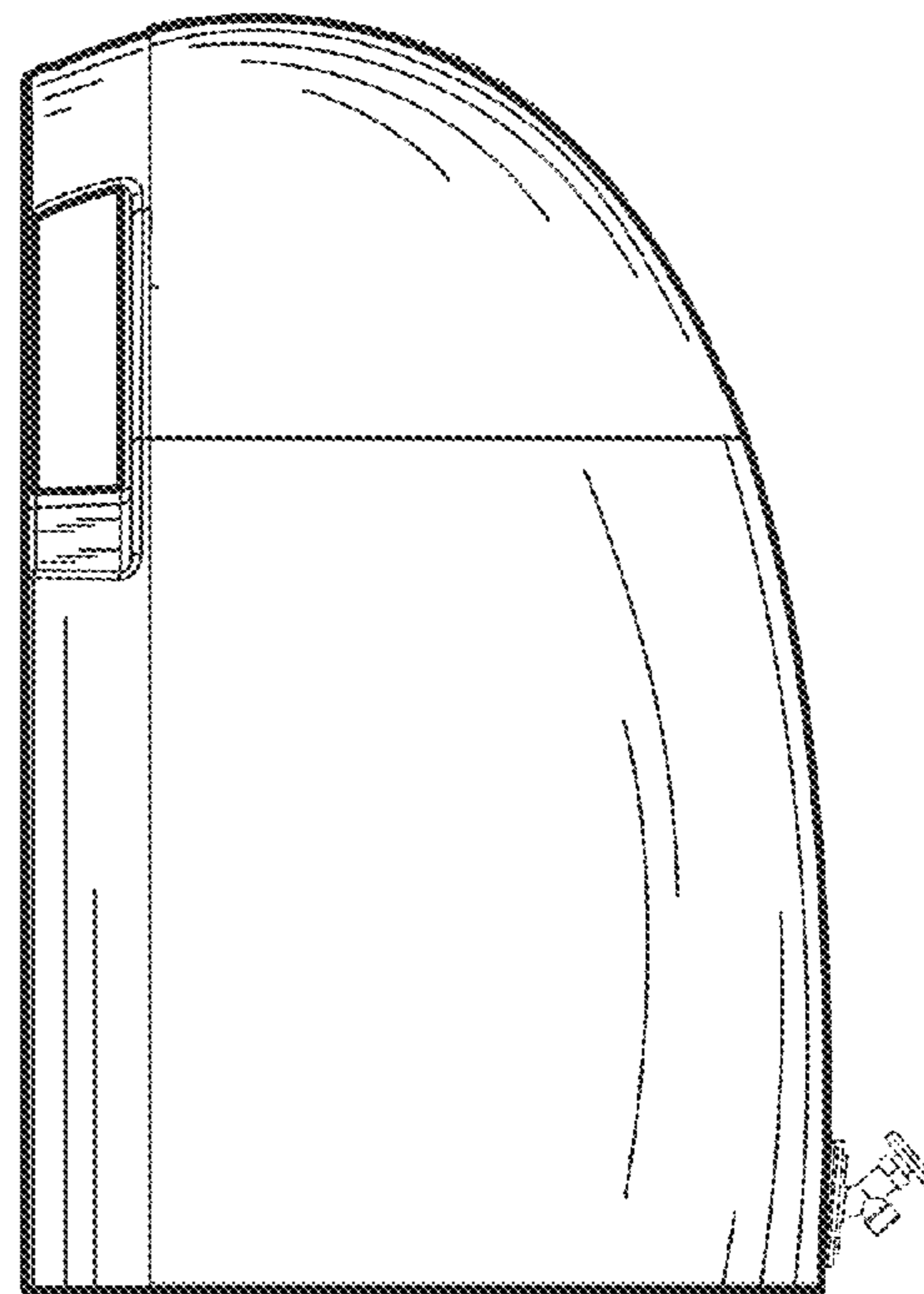


Fig. 14

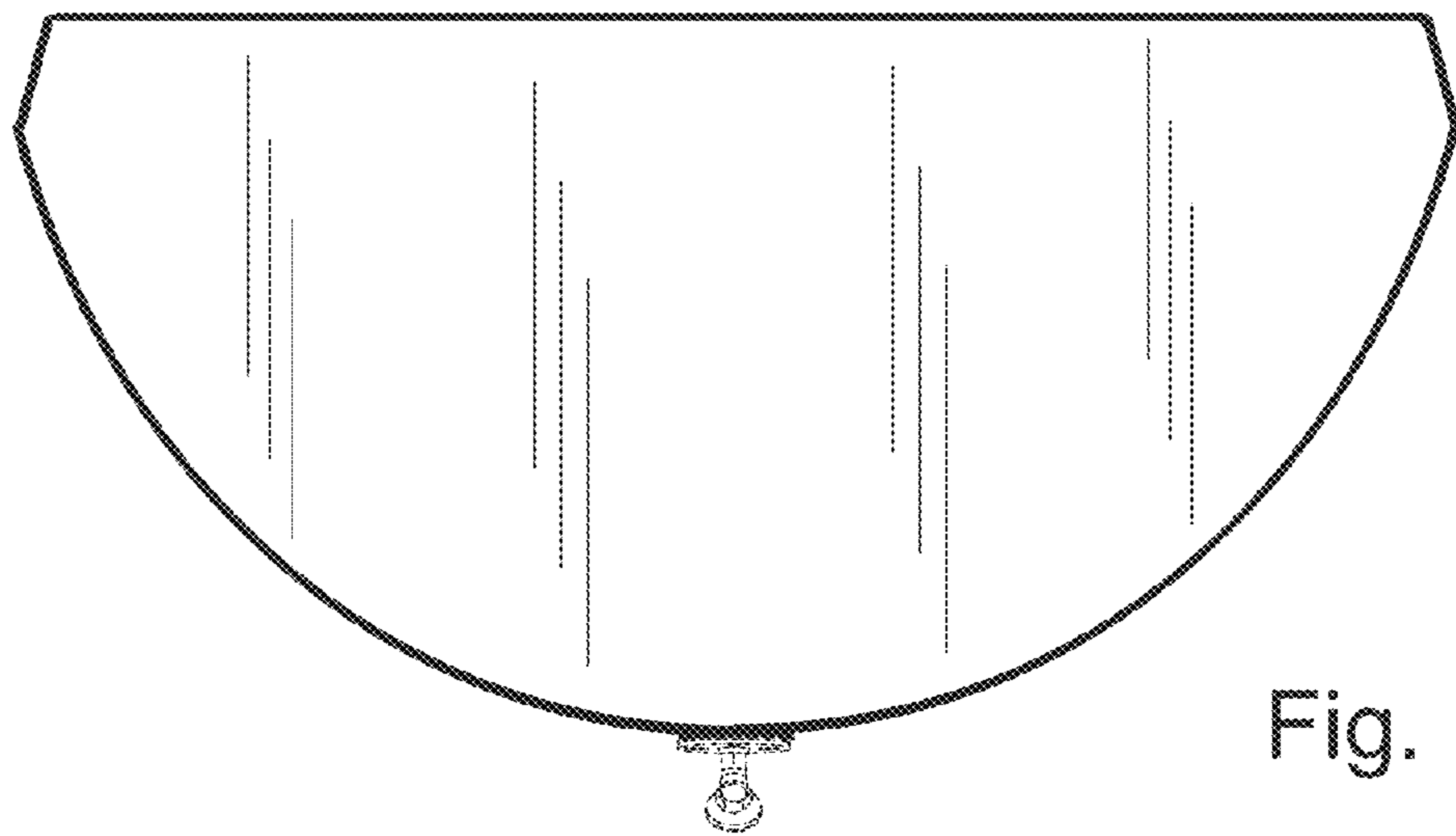
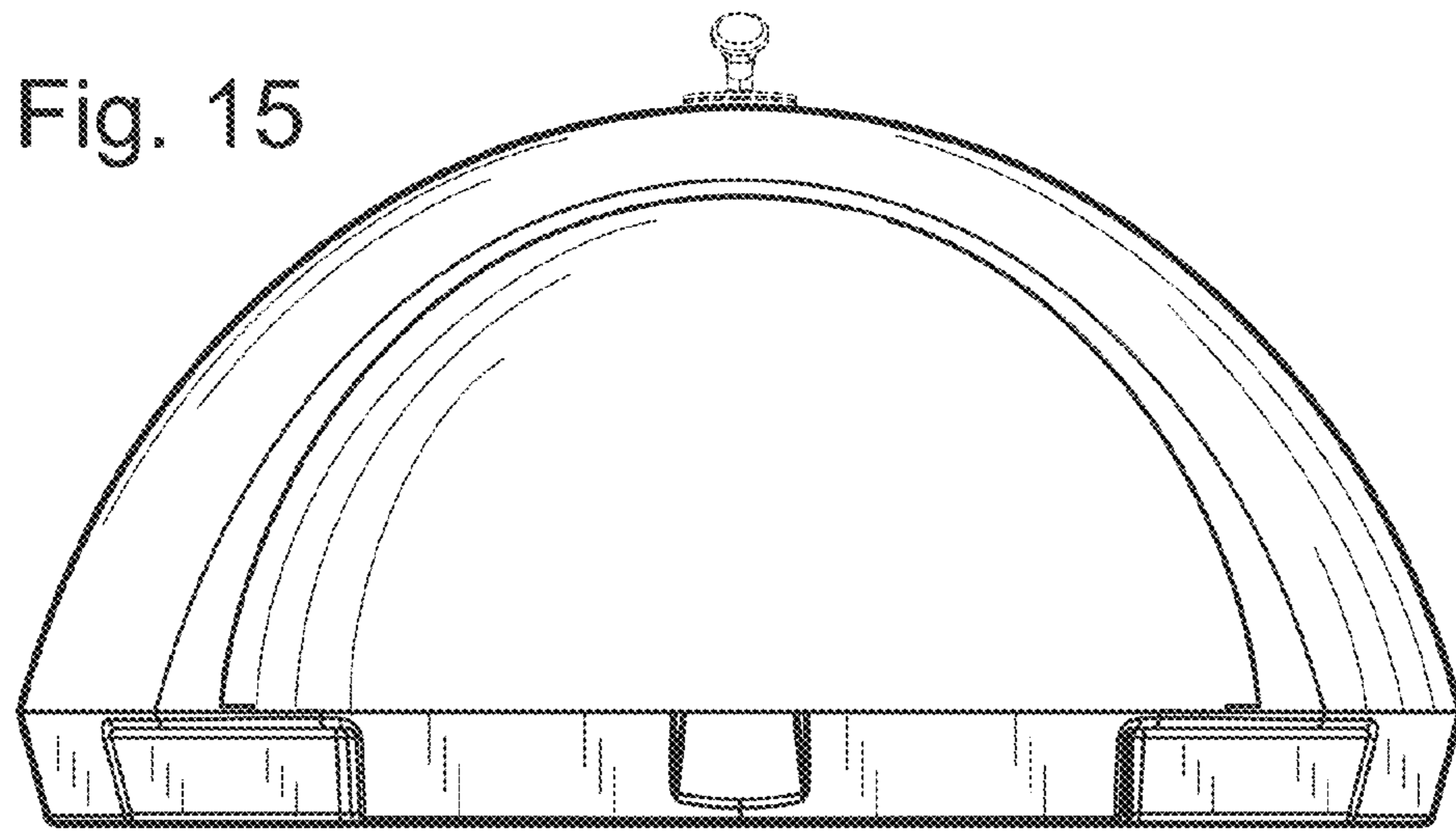


Fig. 16