



US00D738589S

(12) **United States Design Patent**  
**Pelc et al.**

(10) **Patent No.:** **US D738,589 S**  
(45) **Date of Patent:** **\*\* Sep. 8, 2015**

(54) **TILTABLE LOCKABLE ELEVATING  
PEDESTAL JOIST SUPPORT**

(71) Applicants: **Robert J. Pelc**, Sarasota, FL (US);  
**James Dean Upchurch**, Bradenton, FL  
(US)

(72) Inventors: **Robert J. Pelc**, Sarasota, FL (US);  
**James Dean Upchurch**, Bradenton, FL  
(US)

(73) Assignee: **The Ipé Clip Fastener Company, LLC**,  
Bradenton, FL (US)

(\*\*) Term: **14 Years**

(21) Appl. No.: **29/523,384**

(22) Filed: **Apr. 9, 2015**

**Related U.S. Application Data**

(62) Division of application No. 29/449,405, filed on Mar.  
15, 2013, now Pat. No. Des. 728,185.

(51) **LOC (10) Cl.** ..... **12-05**

(52) **U.S. Cl.**  
USPC ..... **D34/31**

(58) **Field of Classification Search**  
USPC ..... D34/28, 31, 33; 52/126.6, 122.1,  
52/745.05, 126.4, 126.7; 248/188.8,  
248/188.4, 354, 3; 254/93 R, 18 R, 1, 2 R,  
254/11, 12, 13  
CPC ..... A47B 91/002  
See application file for complete search history.

(56) **References Cited**

**U.S. PATENT DOCUMENTS**

D320,485 S \* 10/1991 Huang ..... D34/31  
D396,926 S \* 8/1998 Underhill et al. .... D34/31  
6,332,292 B1 \* 12/2001 Buzon ..... 52/126.6  
D548,422 S \* 8/2007 Lee et al. .... D34/35

7,866,096 B2 \* 1/2011 Lee et al. .... 52/126.6  
7,921,612 B2 \* 4/2011 Knight et al. .... 52/126.6  
D641,534 S 7/2011 Lee  
D642,765 S \* 8/2011 Long ..... D34/28  
D644,404 S 8/2011 Lee  
D649,434 S \* 11/2011 Lalancette et al. .... D8/354  
8,256,175 B2 \* 9/2012 Buzon ..... 52/263  
D679,883 S \* 4/2013 Bucknor ..... D34/31  
8,690,109 B2 \* 4/2014 Haworth et al. .... 248/219.2  
8,733,717 B2 \* 5/2014 Devereux ..... 248/188.8  
D728,185 S \* 4/2015 Pelc et al. .... D34/31  
2003/0070372 A1 \* 4/2003 Favero ..... 52/220.1  
2004/0261329 A1 \* 12/2004 Kugler et al. .... 52/126.6  
2009/0183442 A1 \* 7/2009 Repasky ..... 52/126.6  
2010/0058679 A1 \* 3/2010 Greaves ..... 52/126.6

\* cited by examiner

*Primary Examiner* — Cynthia Ramirez

(74) *Attorney, Agent, or Firm* — Patricia M. Costanzo

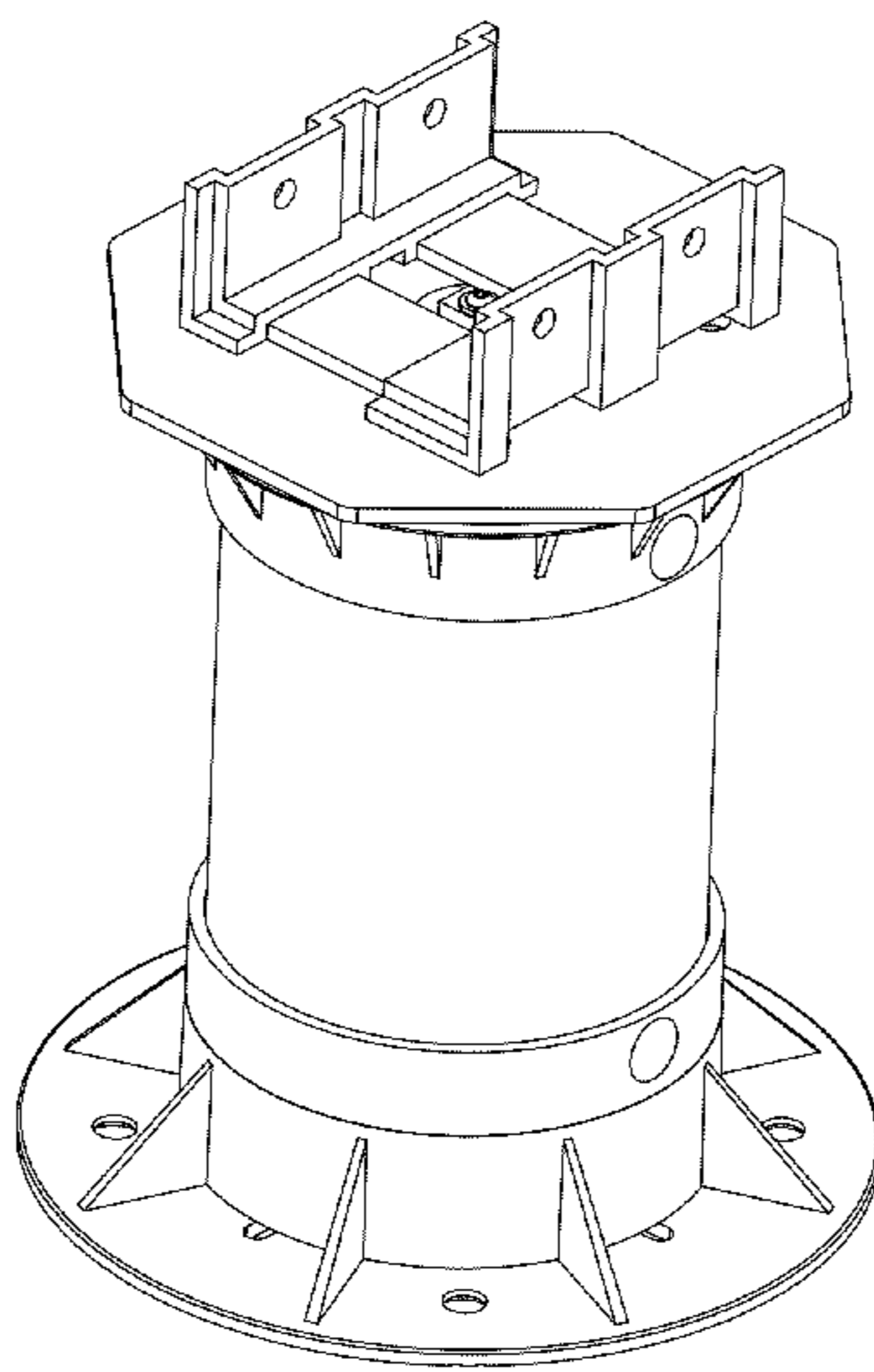
(57) **CLAIM**

The ornamental design for a tiltable lockable elevating pedestal joist support, as shown and described.

**DESCRIPTION**

FIG. 1 is a perspective top view of a tiltable lockable elevating pedestal joist support showing our new design;  
FIG. 2 is a perspective bottom end view thereof;  
FIG. 3 is a top plan view thereof;  
FIG. 4 is a bottom plan view thereof;  
FIG. 5 is an elevation view of one side thereof, the other side being a mirror image;  
FIG. 6 is a front elevational view thereof, the rear being a mirror image;  
FIG. 7 is a perspective view of an alternate embodiment showing a shorter center, the other areas of the pedestal being as shown in the embodiment of FIG. 1;  
FIG. 8 is a perspective bottom view thereof, the other areas of the pedestal being as shown in FIG. 1; and,  
FIG. 9 is an elevation side view of the embodiment of FIG. 1, in use.

**1 Claim, 7 Drawing Sheets**



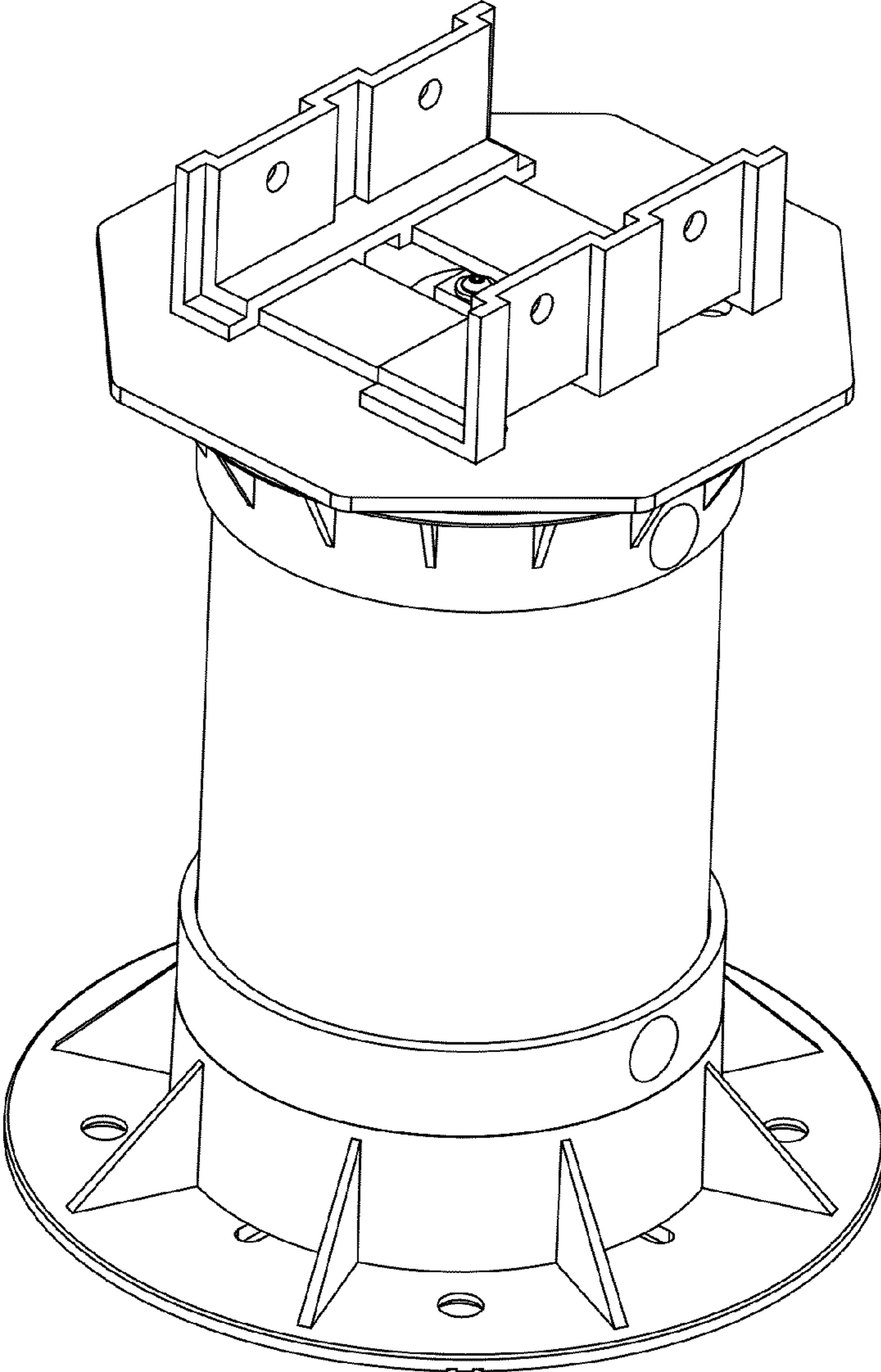


FIG. 1

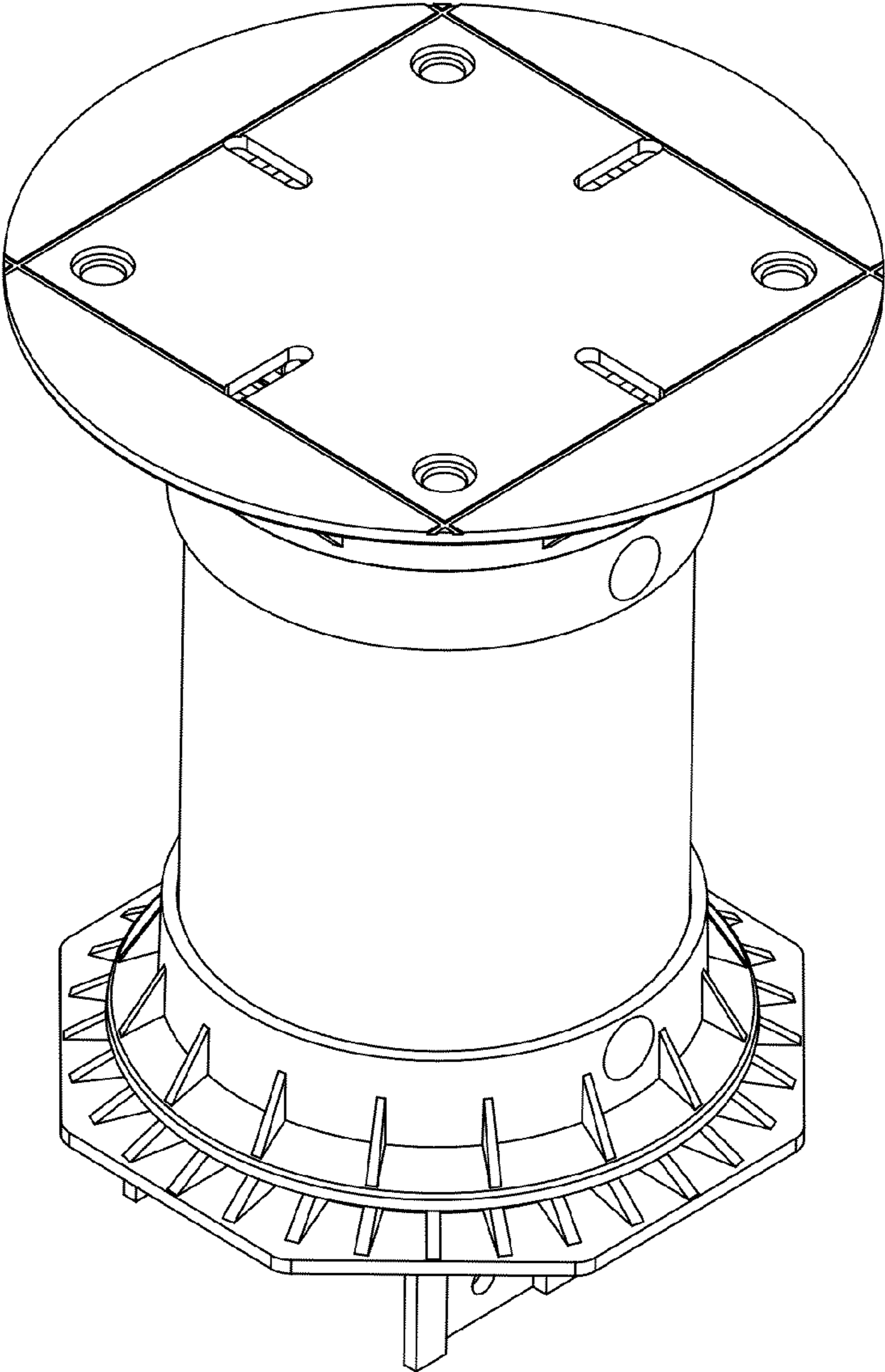


FIG. 2

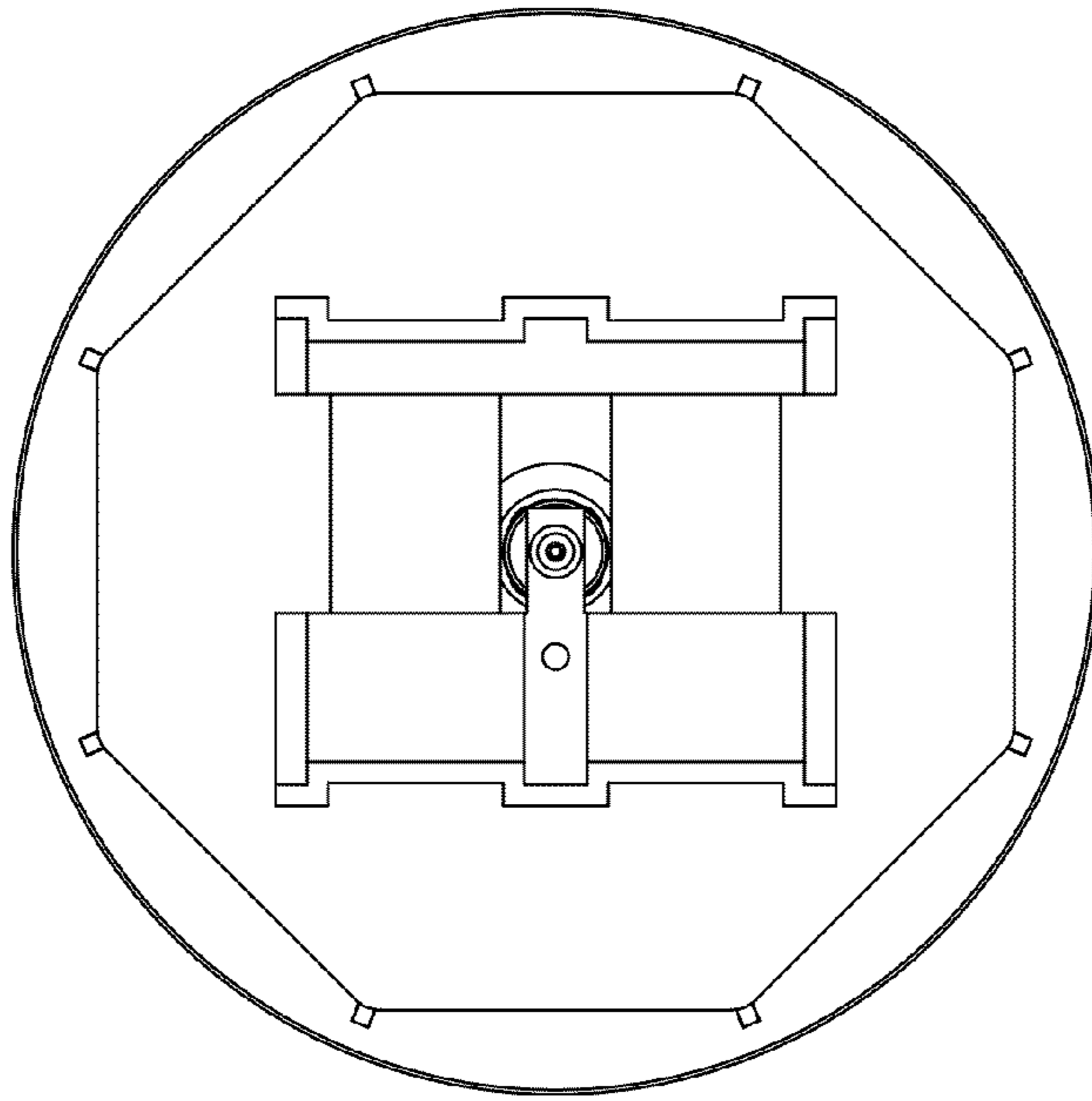


FIG. 3

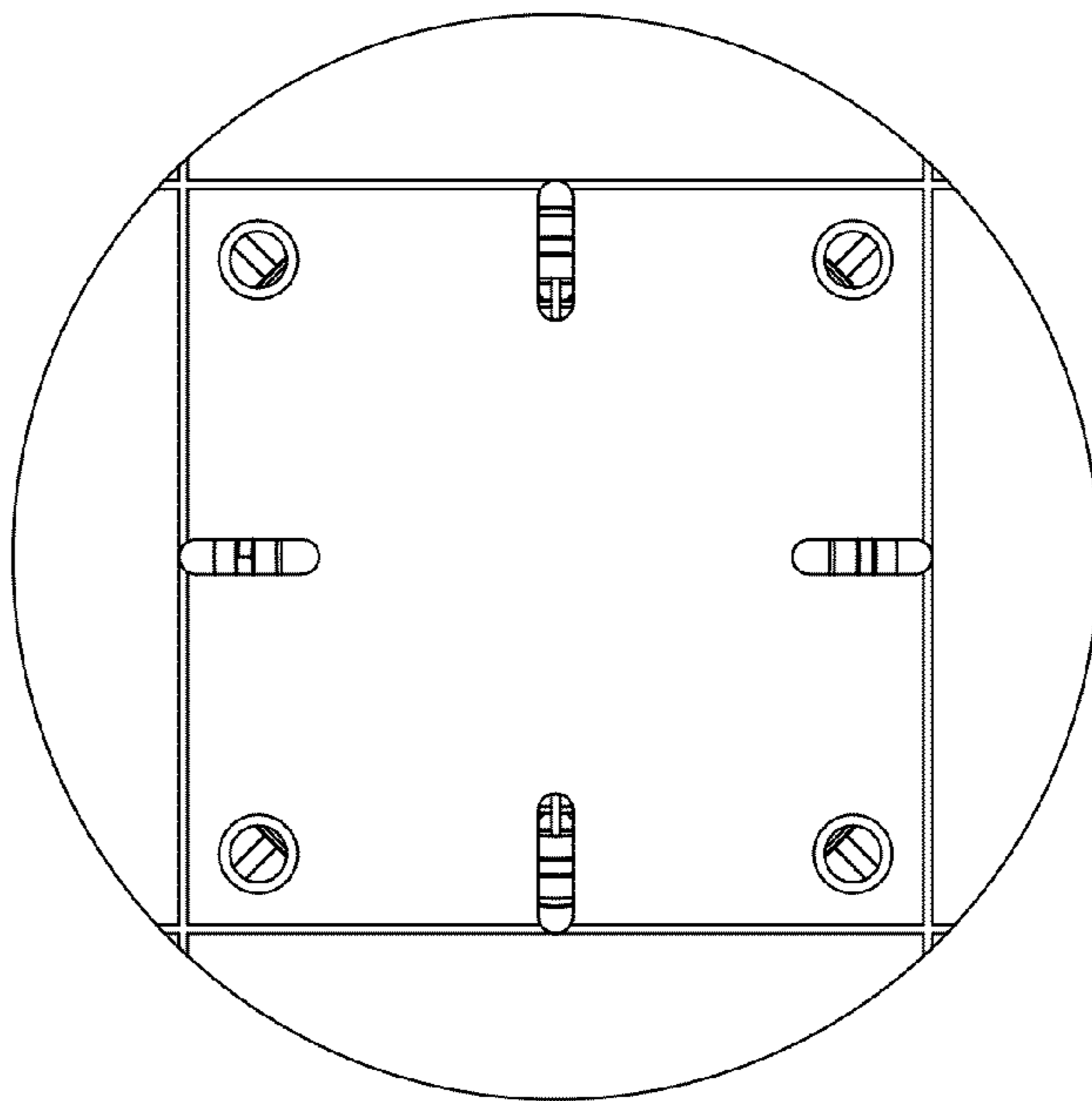


FIG. 4

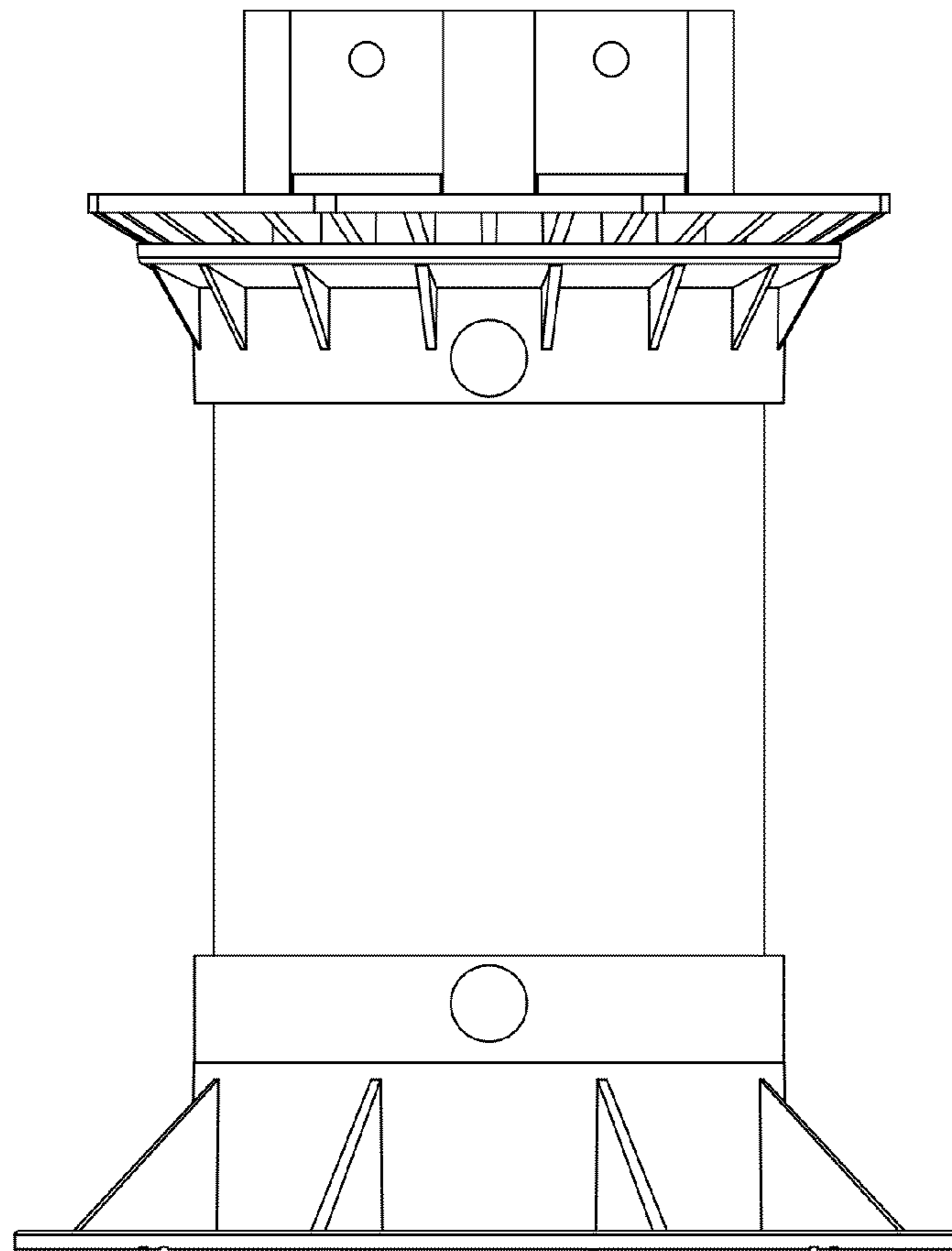


FIG. 5

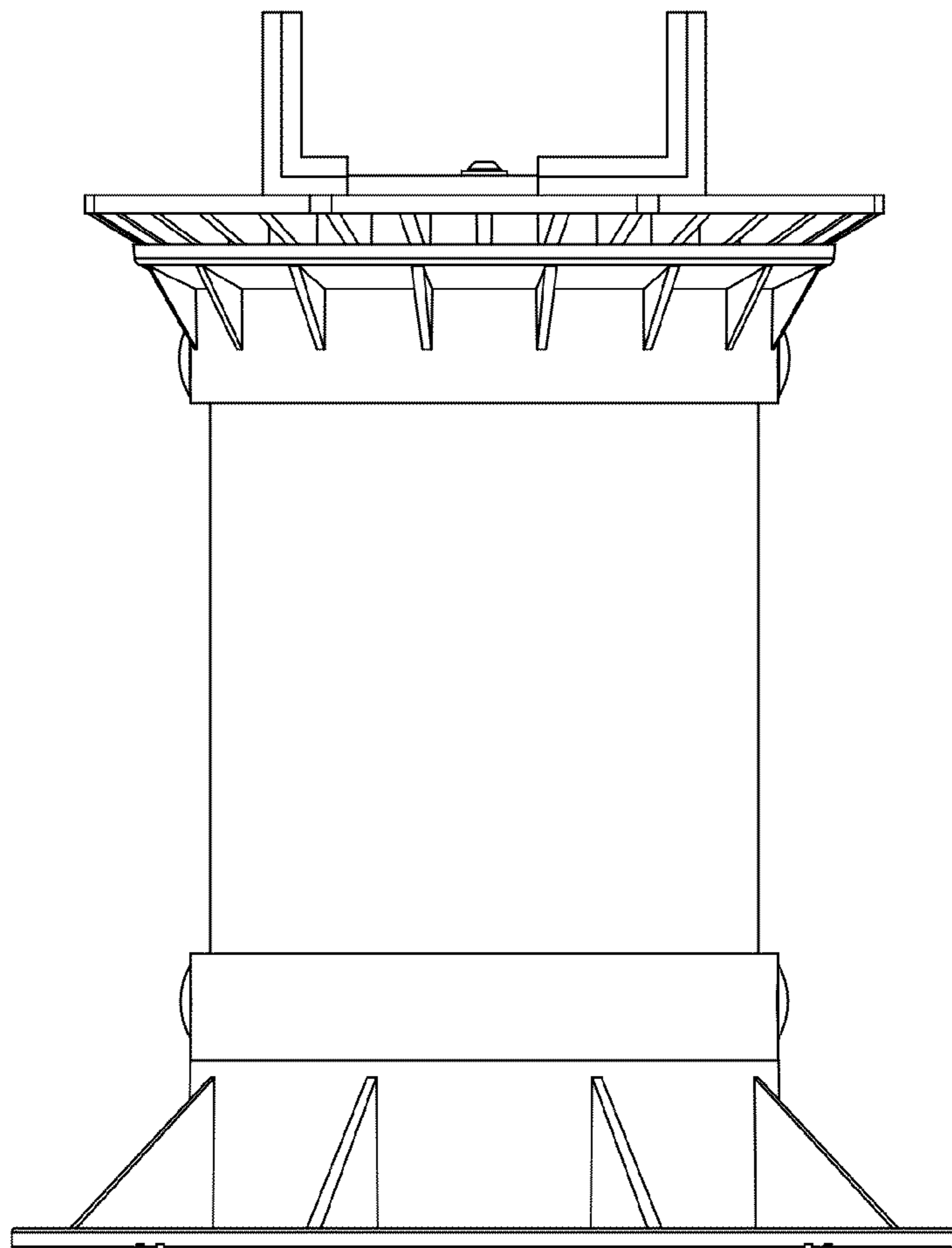


FIG. 6

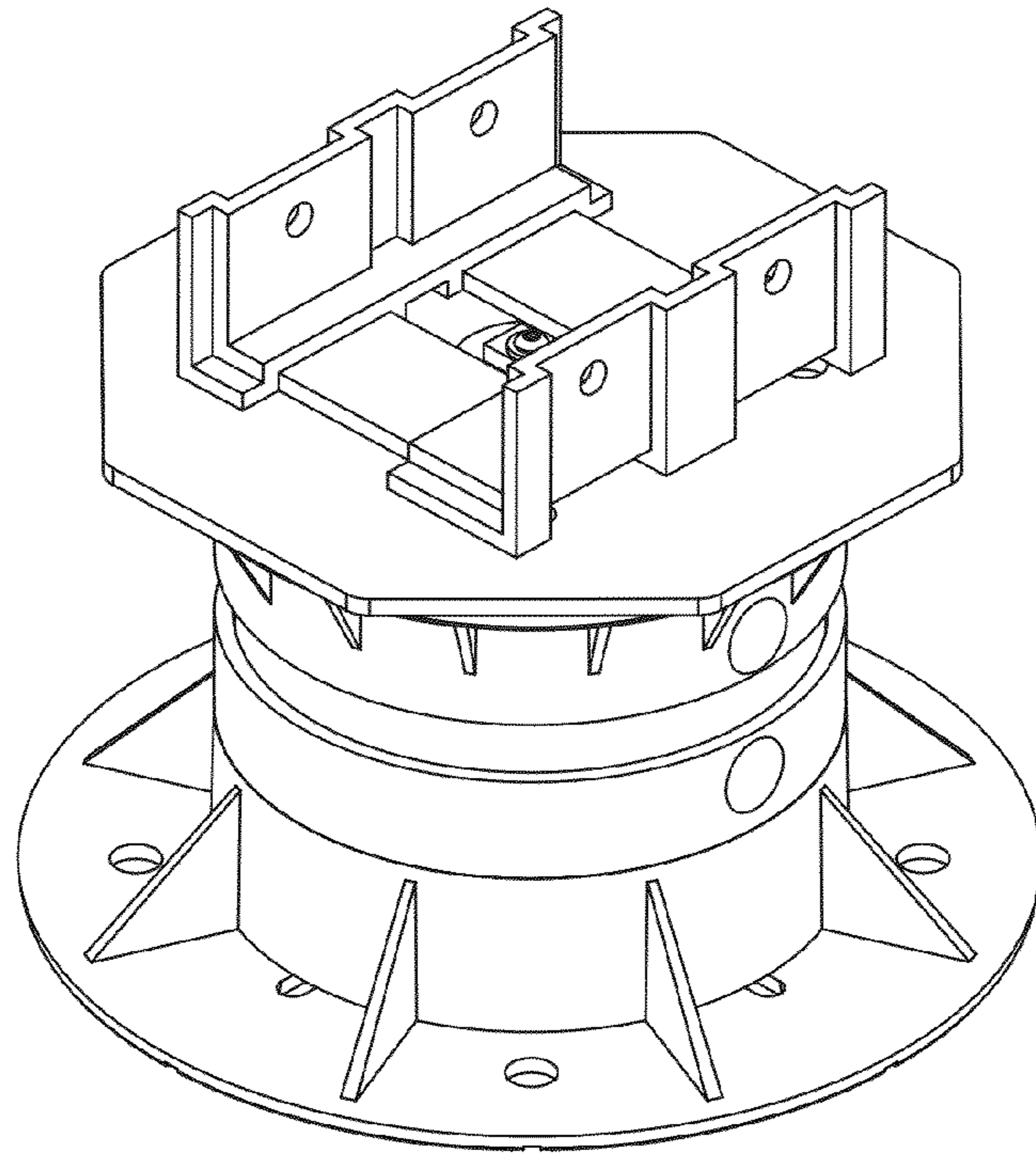


FIG. 7

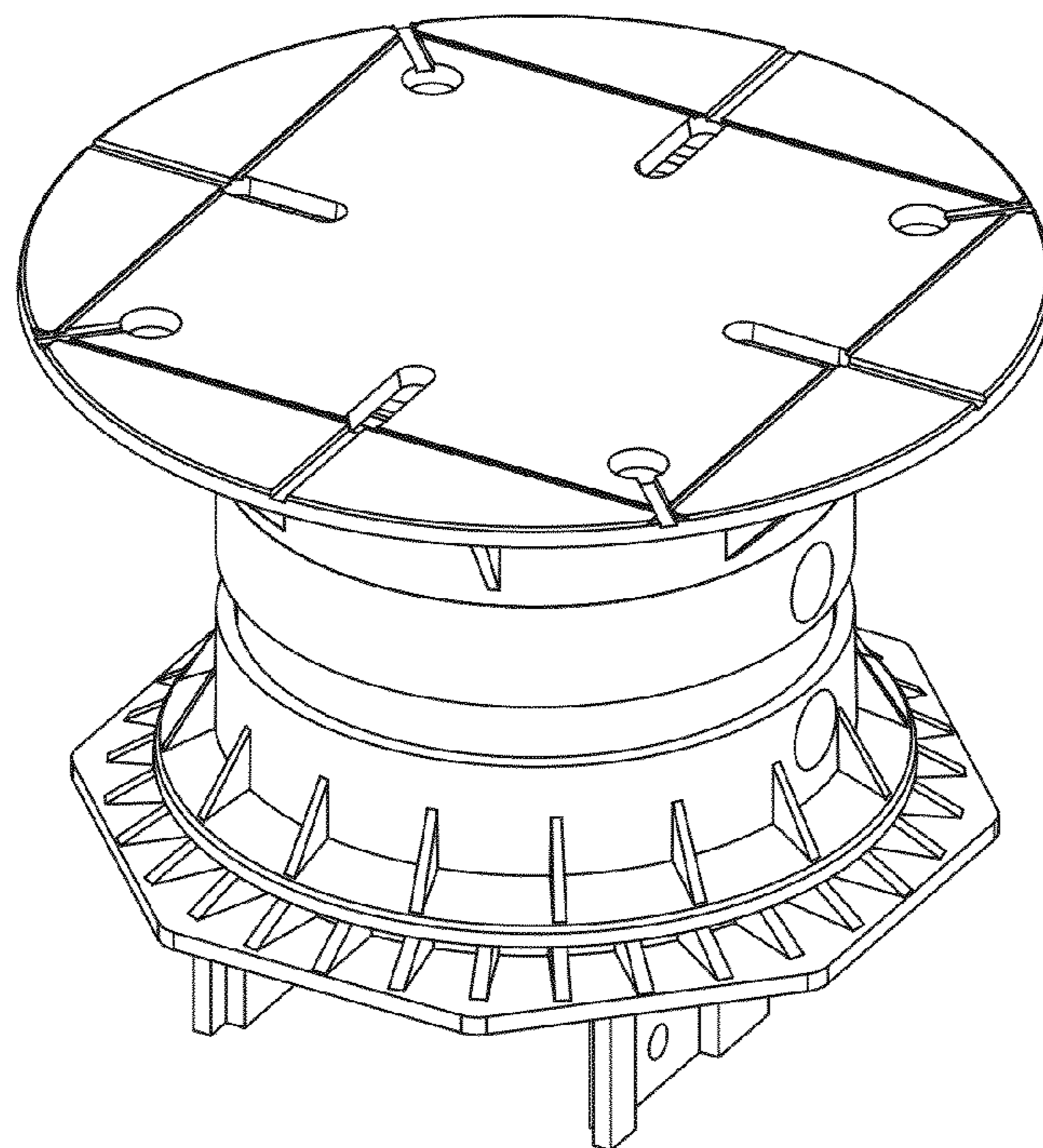


FIG. 8

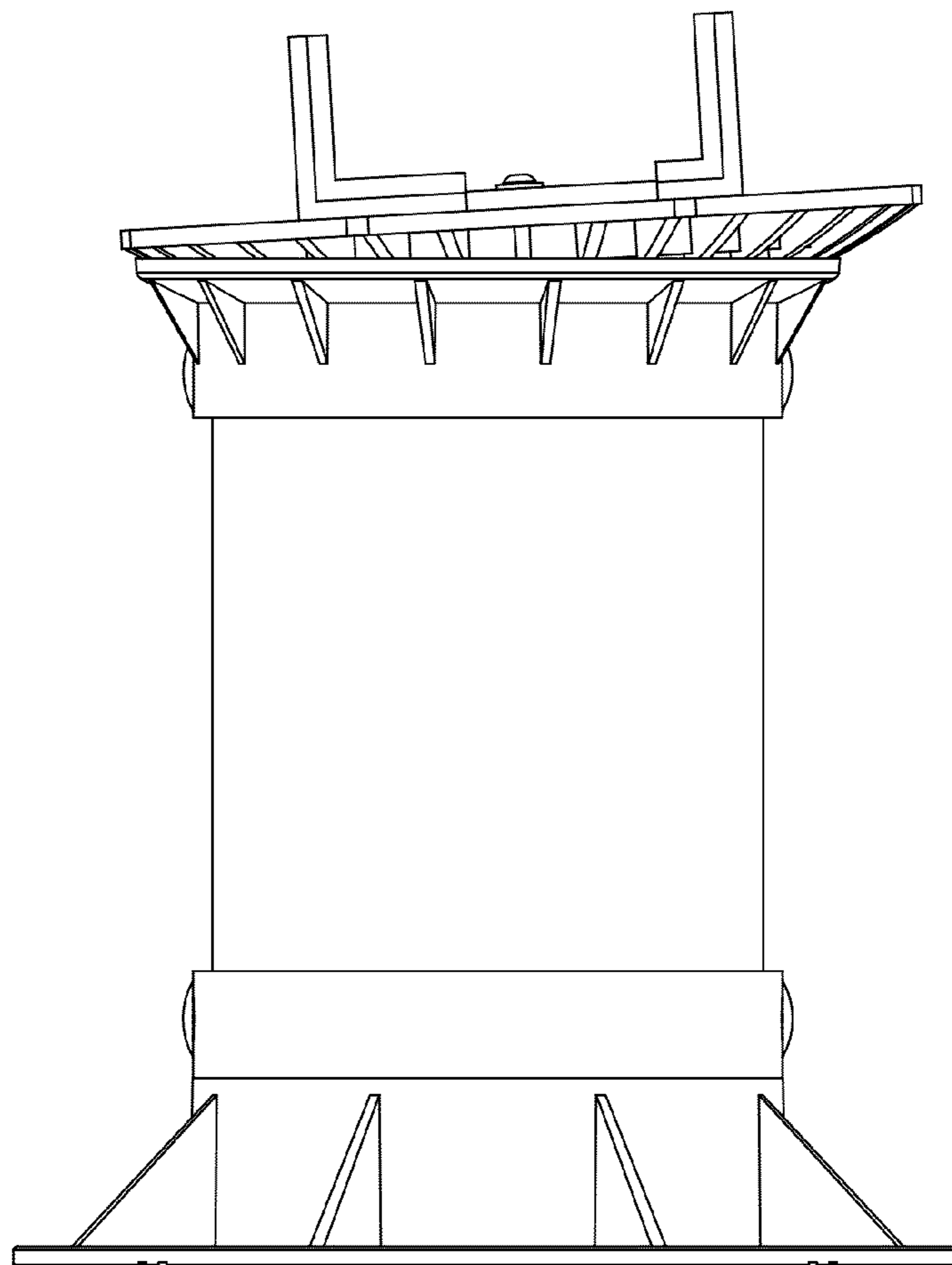


FIG. 9