



US00D738586S

(12) **United States Design Patent**
La Rovere et al.

(10) **Patent No.:** **US D738,586 S**
(45) **Date of Patent:** **** *Sep. 8, 2015**

(54) **STEAM GENERATOR FOR IRON**

(56)

References Cited

(71) Applicant: **KONINKLIJKE PHILIPS N.V.**,
Eindhoven (NL)

U.S. PATENT DOCUMENTS

(72) Inventors: **Massimiliano La Rovere**, Singapore
(SG); **Peter Jonathan Smith**,
Amsterdam (NL)

D316,768 S *	5/1991	Komar	D32/73
D439,023 S *	3/2001	Powell	D32/73
D452,354 S *	12/2001	Hsu	D32/70
D463,641 S *	9/2002	Powell	D32/71
D470,637 S *	2/2003	Berthier	D32/73
D548,418 S *	8/2007	Cahen	D32/70
D564,166 S *	3/2008	Yang	D32/73
D575,019 S *	8/2008	Choi	D32/68
D576,369 S *	9/2008	Choi	D32/68
D581,620 S *	11/2008	Chu	D32/68
D660,538 S *	5/2012	Smith	D32/71
D667,600 S *	9/2012	Smith	D32/70
D701,362 S *	3/2014	Smith	D32/70

(73) Assignee: **KONINKLIJKE PHILIPS N.V.**,
Eindhoven (NL)

(*) Notice: This patent is subject to a terminal disclaimer.

(**) Term: **14 Years**

* cited by examiner

(21) Appl. No.: **29/471,512**

Primary Examiner — Austin Murphy

(22) Filed: **Nov. 1, 2013**

(30) **Foreign Application Priority Data**

(57)

CLAIM

The ornamental design for a steam generator for iron, as shown.

May 2, 2013 (EM) 002231514-0002

(51) **LOC (10) Cl.** **07-05**

DESCRIPTION

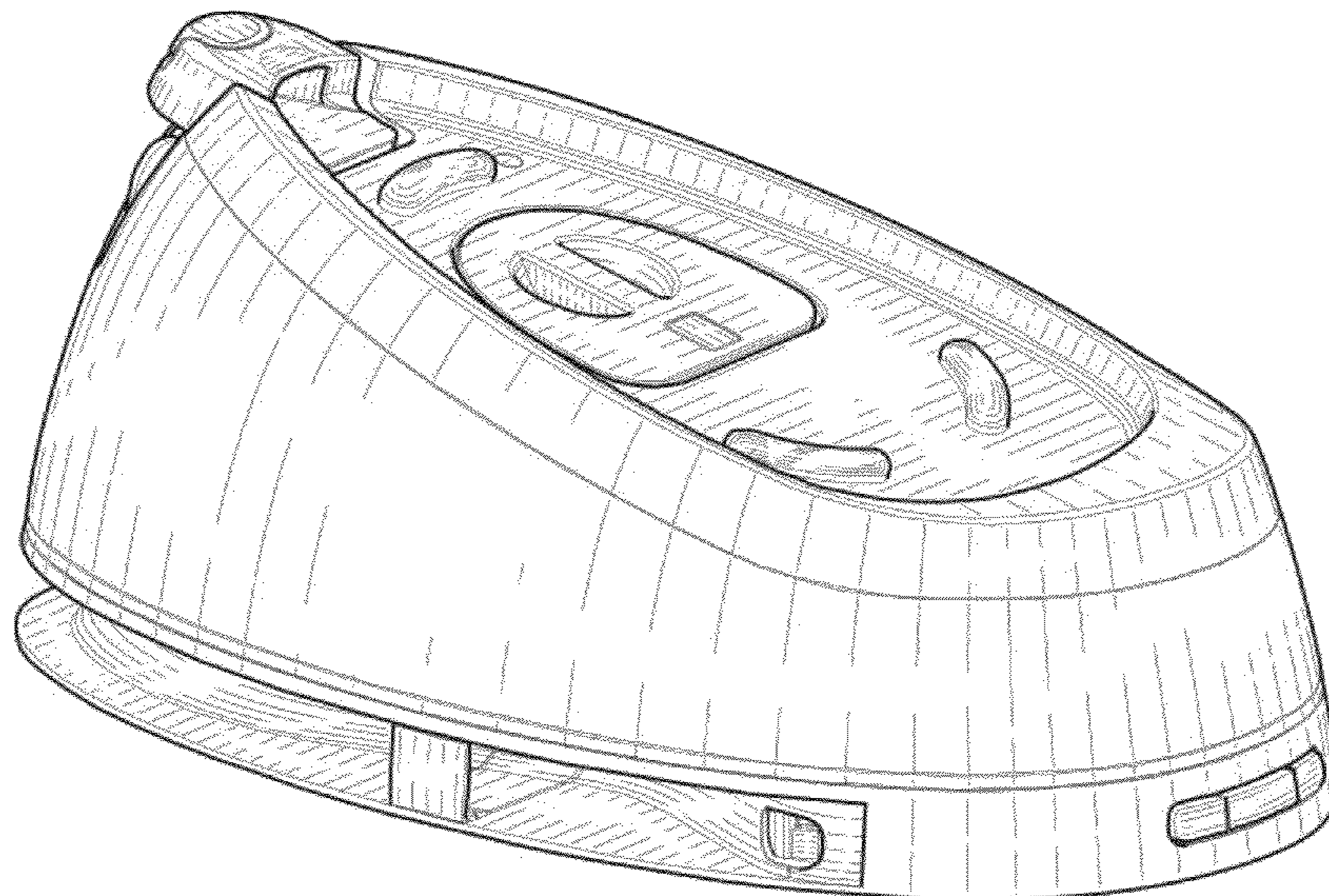
(52) **U.S. Cl.**
USPC **D32/70**

(58) **Field of Classification Search**

USPC D32/73, 72, 71, 70, 69, 68, 35;
392/404; 38/97, 96, 93, 88, 77.9,
38/77.83, 77.82, 77.81, 77.8, 77.7, 77.6,
38/77.5, 77.3, 77.1; 219/251, 245
CPC D06F 75/34; D06F 75/08; D06F 75/38;
D06F 75/00; F22B 27/14; B08B 3/006
See application file for complete search history.

FIG. 1 is a perspective view showing my design;
FIG. 2 is a front elevational view thereof;
FIG. 3 is a rear elevational view thereof;
FIG. 4 is a right side elevational view thereof;
FIG. 5 is a left side elevational view thereof;
FIG. 6 is a top plan view thereof; and,
FIG. 7 is a bottom plan view thereof.

1 Claim, 5 Drawing Sheets



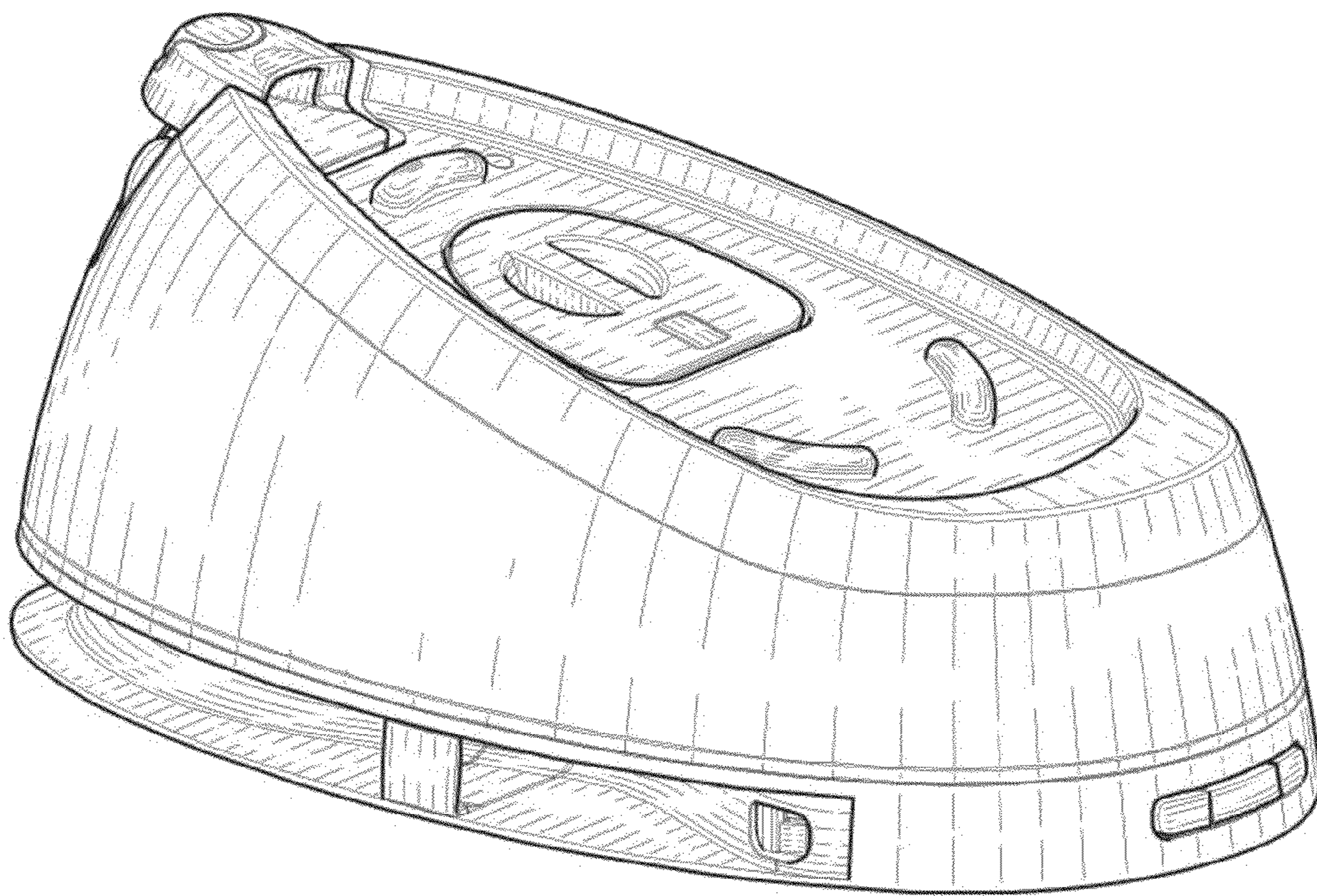


FIG. 1

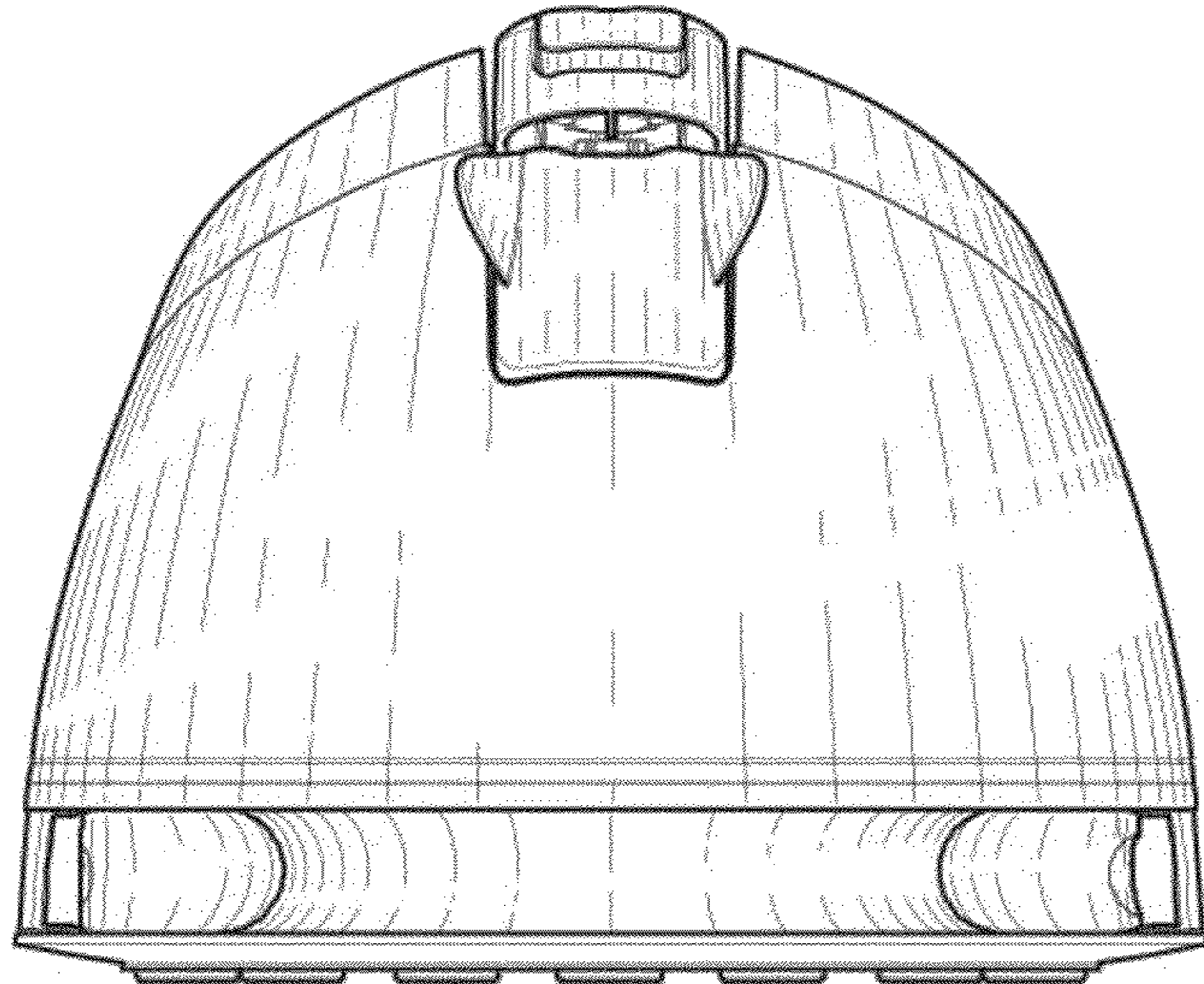


FIG. 2

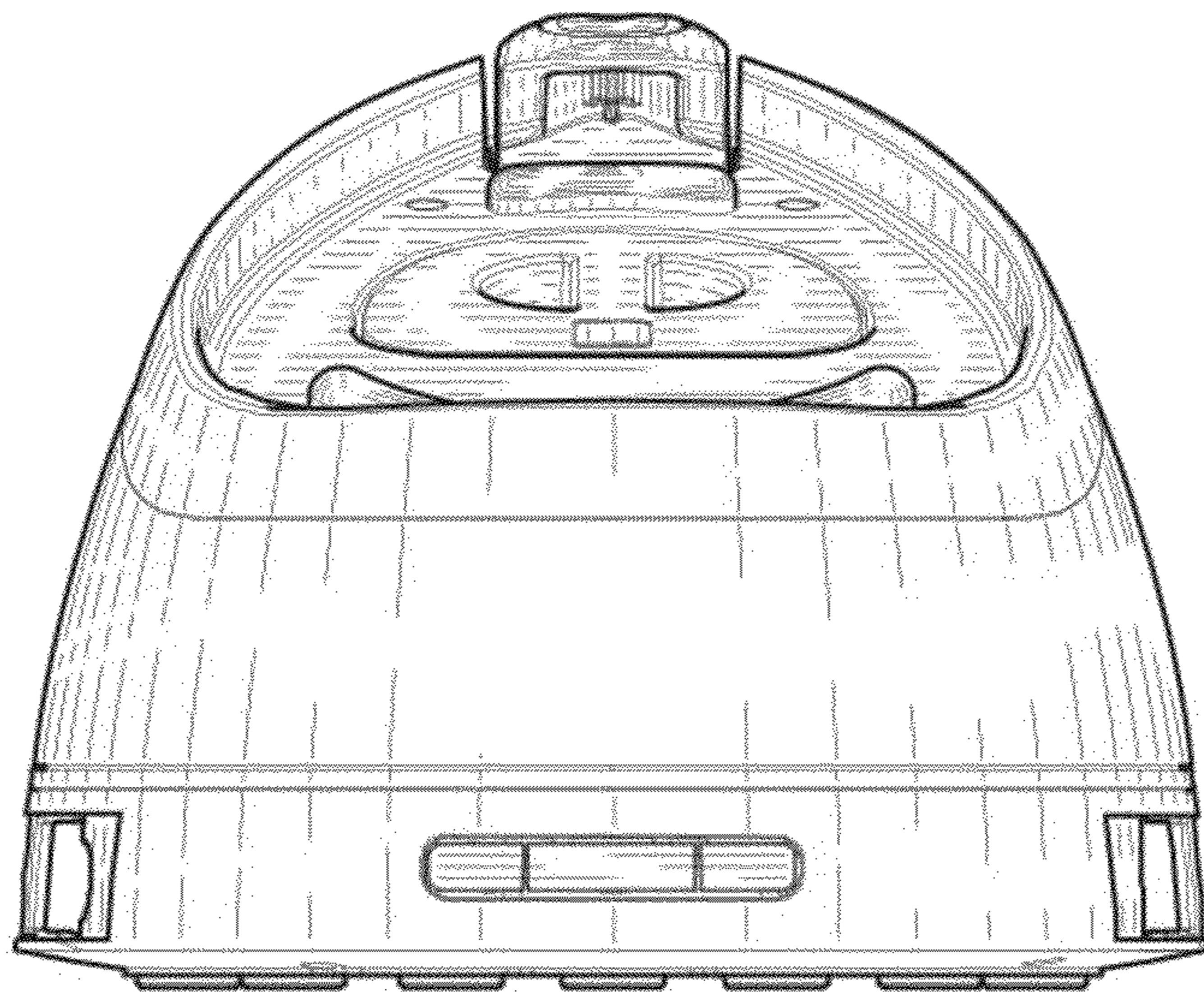


FIG. 3

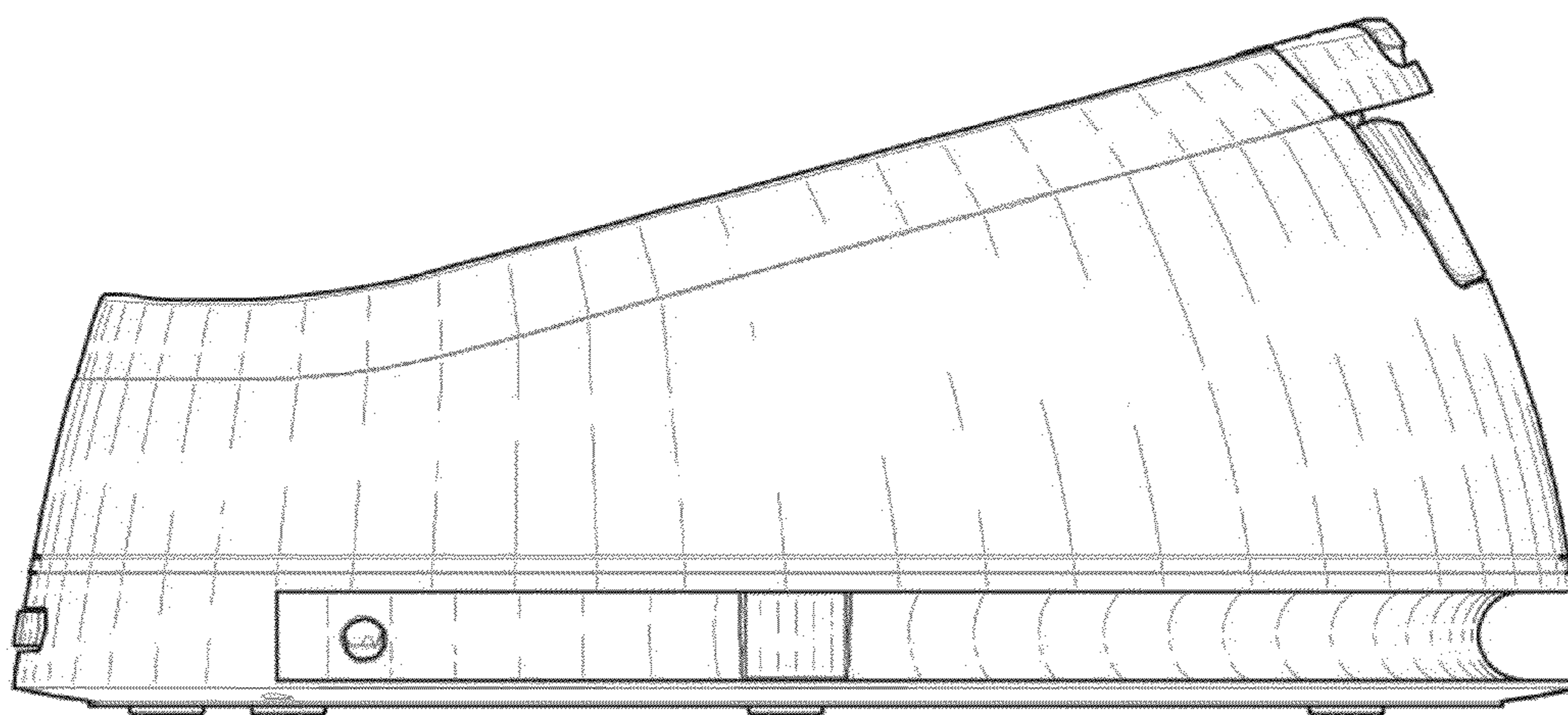


FIG. 4

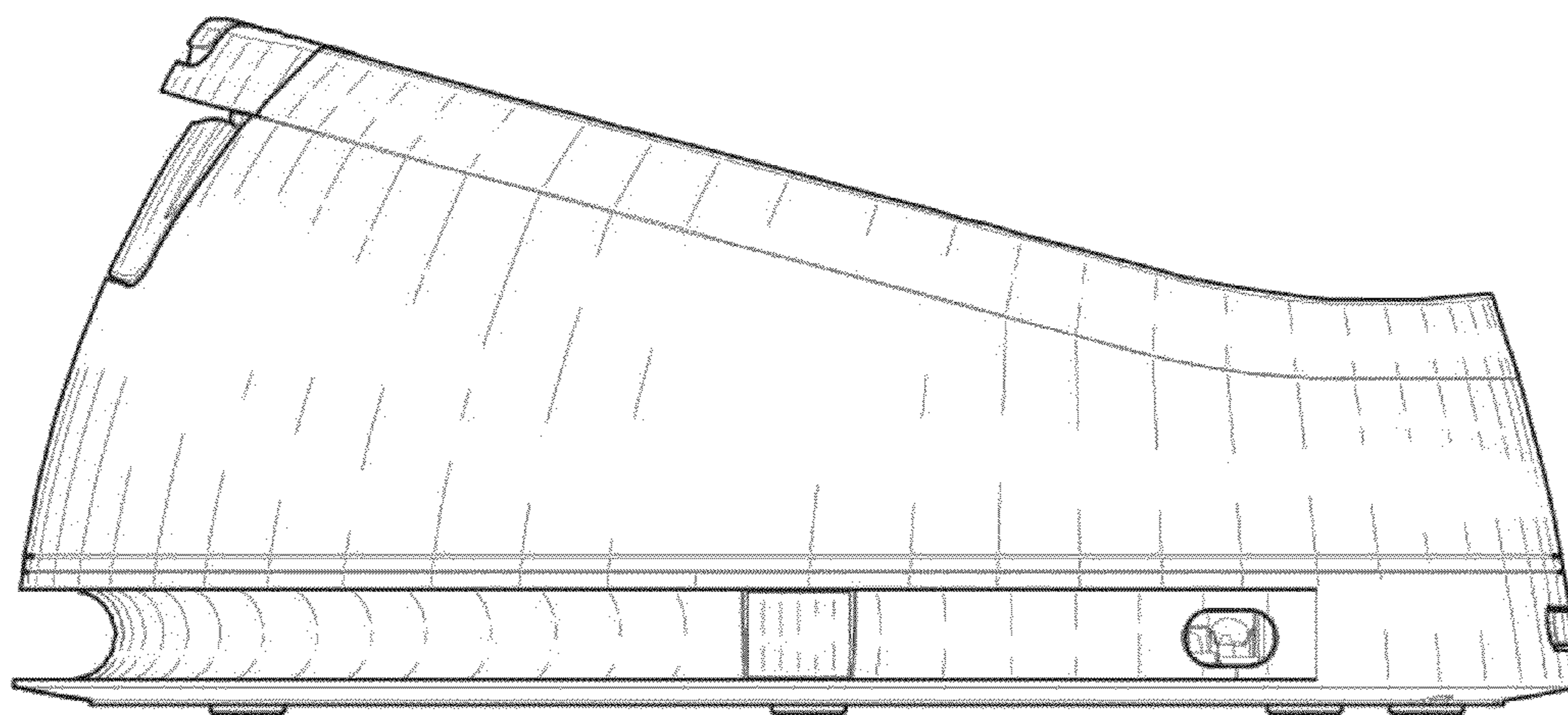


FIG. 5

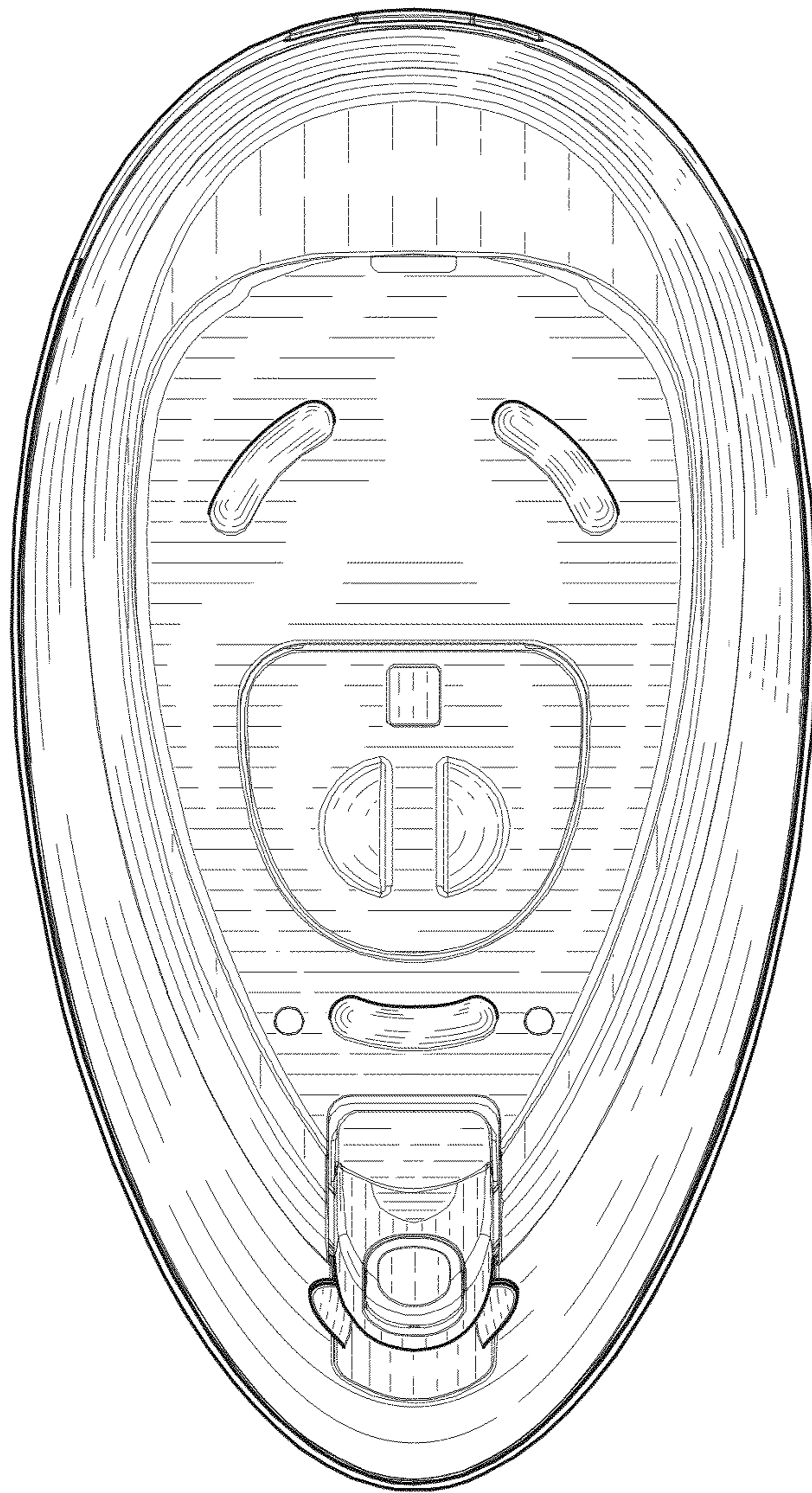


FIG. 6

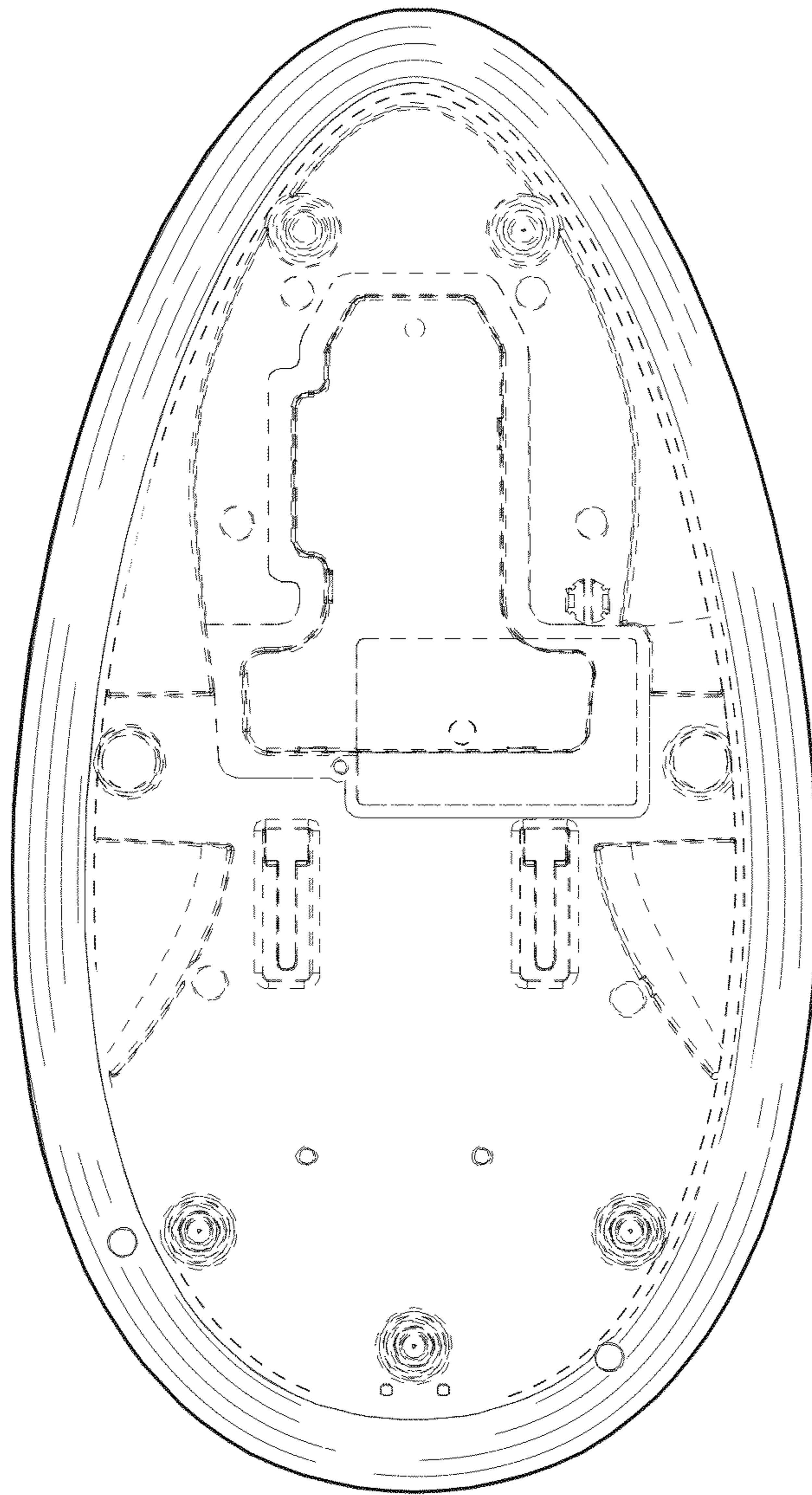


FIG. 7