



US00D738585S

(12) **United States Design Patent**  
**Dooley et al.**

(10) **Patent No.:** **US D738,585 S**  
(45) **Date of Patent:** **\*\* Sep. 8, 2015**

(54) **ROBOT**

(71) Applicant: **iRobot Corporation**, Bedford, MA (US)

(72) Inventors: **Michael J. Dooley**, Pasadena, CA (US);  
**Nikolai Romanov**, Oak Park, CA (US)

(73) Assignee: **iRobot Corporation**, Bedford, MA (US)

(\*\*) Term: **14 Years**

(21) Appl. No.: **29/503,410**

(22) Filed: **Sep. 25, 2014**

(51) **LOC (10) Cl.** ..... **15-05**

(52) **U.S. Cl.**  
USPC ..... **D32/31**

(58) **Field of Classification Search**

USPC ..... D32/19-21, 25, 31-33; D4/102, 127,  
D4/128, 133, 136

CPC ..... A47J 37/0713; A47L 9/2842; A47L  
2201/00; A47L 5/30; A47L 5/28; A47L  
5/362; A47L 9/04; A46B 13/005; A46B  
13/001; A61C 17/26; G06N 3/008; B25J  
9/1697; G01S 13/931; B62D 58/032; B62D  
57/032; E01H 1/053; E01H 1/02

See application file for complete search history.

(56) **References Cited**

**U.S. PATENT DOCUMENTS**

D184,968	S	*	4/1959	Sundberg	.....	D32/21
D186,501	S	*	11/1959	Sundberg	.....	D32/21
D195,719	S	*	7/1963	Musichuk	.....	D32/21
D196,831	S	*	11/1963	Musichuk	.....	D32/21
4,516,361	A		5/1985	Gringer		
5,512,010	A		4/1996	Labad		
5,621,291	A		4/1997	Lee		
5,701,630	A		12/1997	Liao		
5,804,942	A		9/1998	Jeong		
5,902,176	A		5/1999	Chen		
6,098,239	A		8/2000	Vosbikian		
6,202,250	B1		3/2001	Kenmochi et al.		

6,296,558	B1	10/2001	Poole et al.		
6,305,046	B1	10/2001	Kingry et al.		
6,327,741	B1	12/2001	Reed		
6,641,469	B2	11/2003	Deshler		
6,685,547	B2	2/2004	Boman		
6,779,217	B2	8/2004	Fisher		
6,810,305	B2	10/2004	Kirkpatrick		
7,013,528	B2	3/2006	Parker et al.		
7,337,494	B2	3/2008	Baer et al.		
7,346,428	B1	3/2008	Huffman et al.		
7,416,477	B2	8/2008	Henke et al.		
7,451,516	B2	11/2008	Tanaka		
7,488,242	B2	2/2009	Gringer et al.		
7,506,397	B2	3/2009	Tanaka		
7,568,255	B1	8/2009	Krebs		
7,607,192	B2	10/2009	Flora et al.		
7,670,210	B2	3/2010	Annis		
7,784,139	B2	8/2010	Sawalski et al.		
D625,059	S	*	10/2010	Morenstein et al.	..... D32/21
D625,060	S	*	10/2010	Morenstein et al.	..... D32/21
D625,477	S	*	10/2010	Morenstein et al.	..... D32/21
7,832,048	B2	11/2010	Harwig et al.		

(Continued)

*Primary Examiner* — Ruth McInroy

(74) *Attorney, Agent, or Firm* — Fish & Richardson P.C.

(57) **CLAIM**

The ornamental design for a robot, substantially as shown and described.

**DESCRIPTION**

FIG. 1 is a front perspective view of a robot showing our new design;

FIG. 2 is a rear perspective view thereof;

FIG. 3 is a front view thereof;

FIG. 4 is a rear view thereof;

FIG. 5 is a left side view thereof;

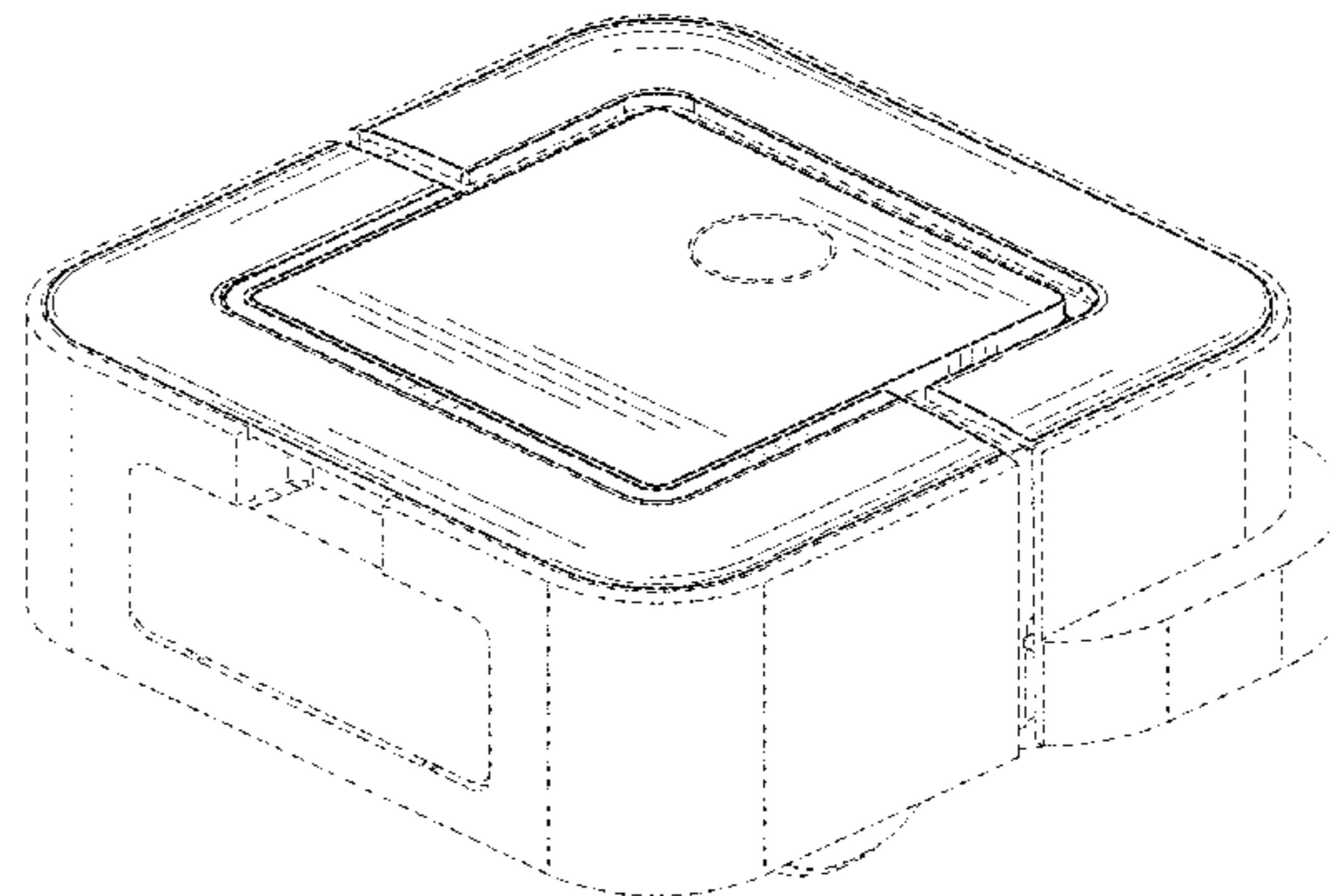
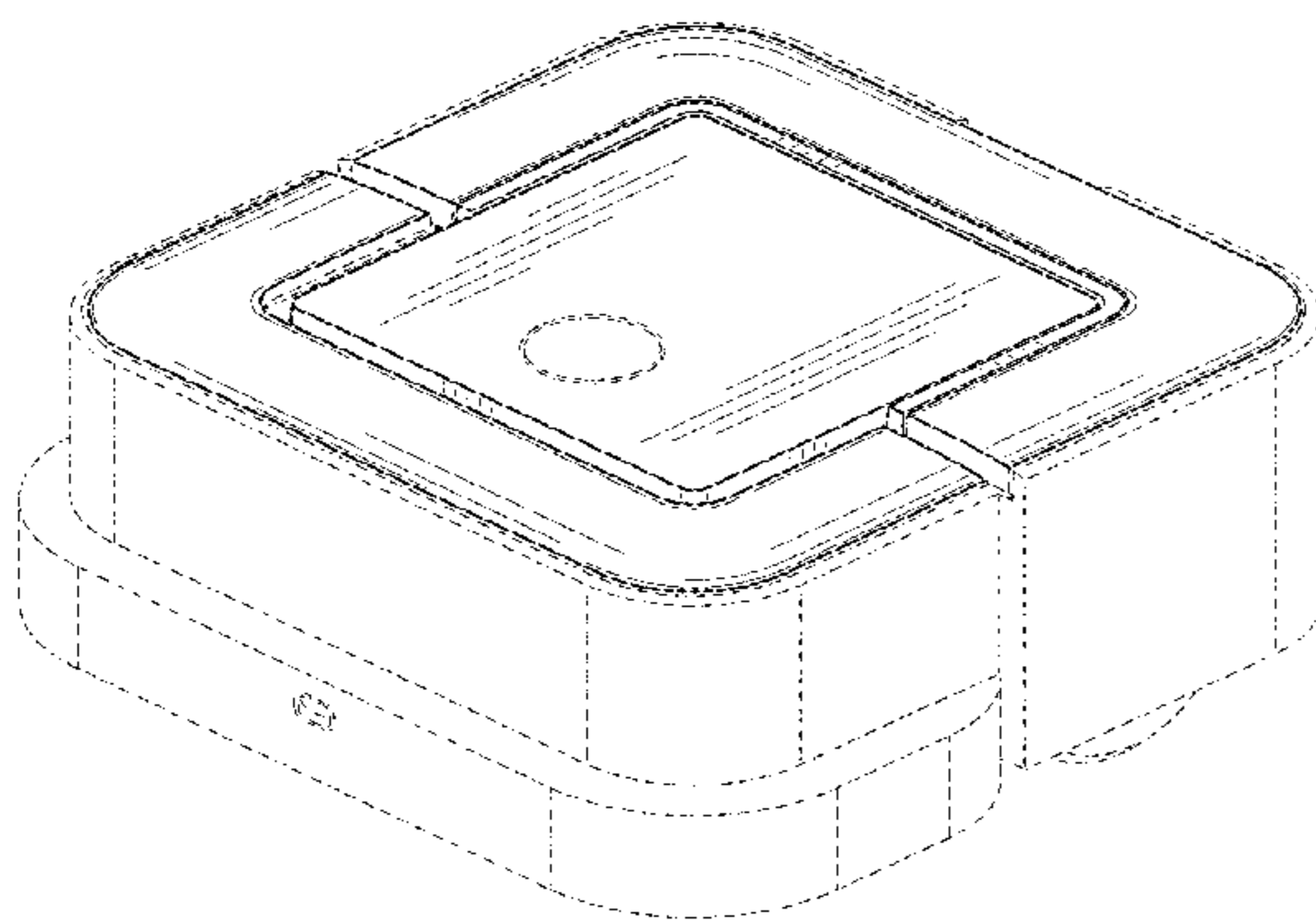
FIG. 6 is a right side view thereof;

FIG. 7 is a top view thereof; and,

FIG. 8 is a bottom view thereof.

The broken lines illustrate environmental features and boundaries that form no part of the claimed design.

**1 Claim, 4 Drawing Sheets**



(56)

**References Cited**

U.S. PATENT DOCUMENTS

7,895,700 B2 3/2011 Tanaka  
 8,469,775 B2 6/2013 Dow et al.  
 D709,255 S \* 7/2014 Wang et al. .... D32/21  
 D720,510 S \* 12/2014 Shin et al. .... D32/21  
 D720,511 S \* 12/2014 Shin et al. .... D32/21  
 2002/0002751 A1 1/2002 Fisher  
 2002/0011813 A1 1/2002 Koselka et al.  
 2002/0152569 A1 10/2002 Zorzo  
 2002/0175648 A1 11/2002 Erko et al.  
 2003/0229421 A1 12/2003 Chmura et al.  
 2004/0045126 A1 3/2004 Parker et al.

2004/0143930 A1 7/2004 Haegermarck  
 2005/0278888 A1 12/2005 Reindle et al.  
 2006/0085095 A1 4/2006 Reindle et al.  
 2006/0293809 A1 12/2006 Harwig et al.  
 2007/0214586 A1 9/2007 Mattucci et al.  
 2008/0276407 A1 11/2008 Schnittman et al.  
 2009/0133720 A1 5/2009 Van Den Bogert  
 2009/0281661 A1 11/2009 Dooley et al.  
 2010/0009609 A1 1/2010 Dow et al.  
 2011/0162157 A1 7/2011 Dooley et al.  
 2013/0291319 A1\* 11/2013 Ko ..... 15/3  
 2014/0209122 A1\* 7/2014 Jung et al. .... 134/18  
 2014/0366292 A1\* 12/2014 Jung et al. .... 15/98  
 2014/0373302 A1\* 12/2014 Hsu ..... 15/300.1

\* cited by examiner

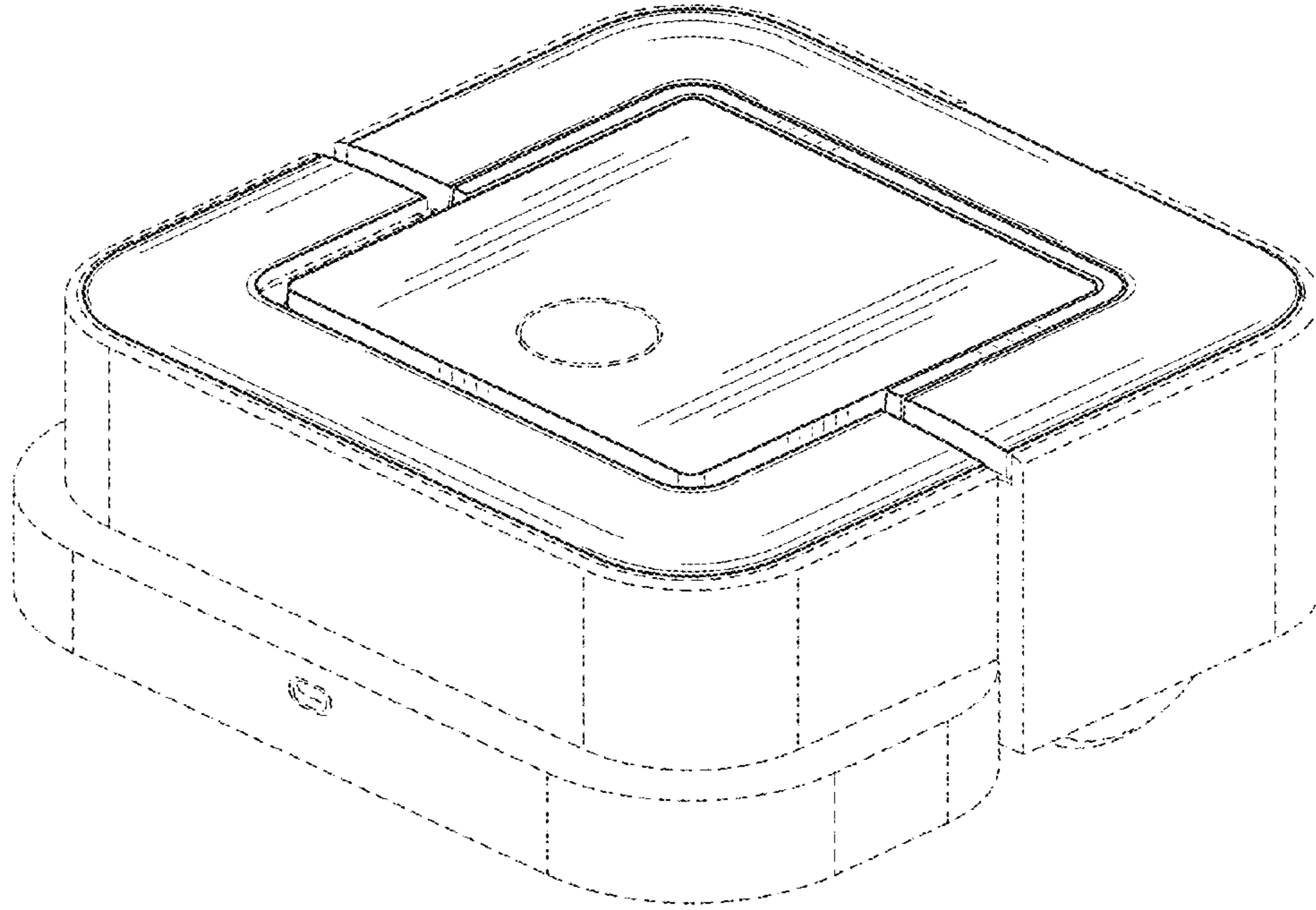


FIG. 1

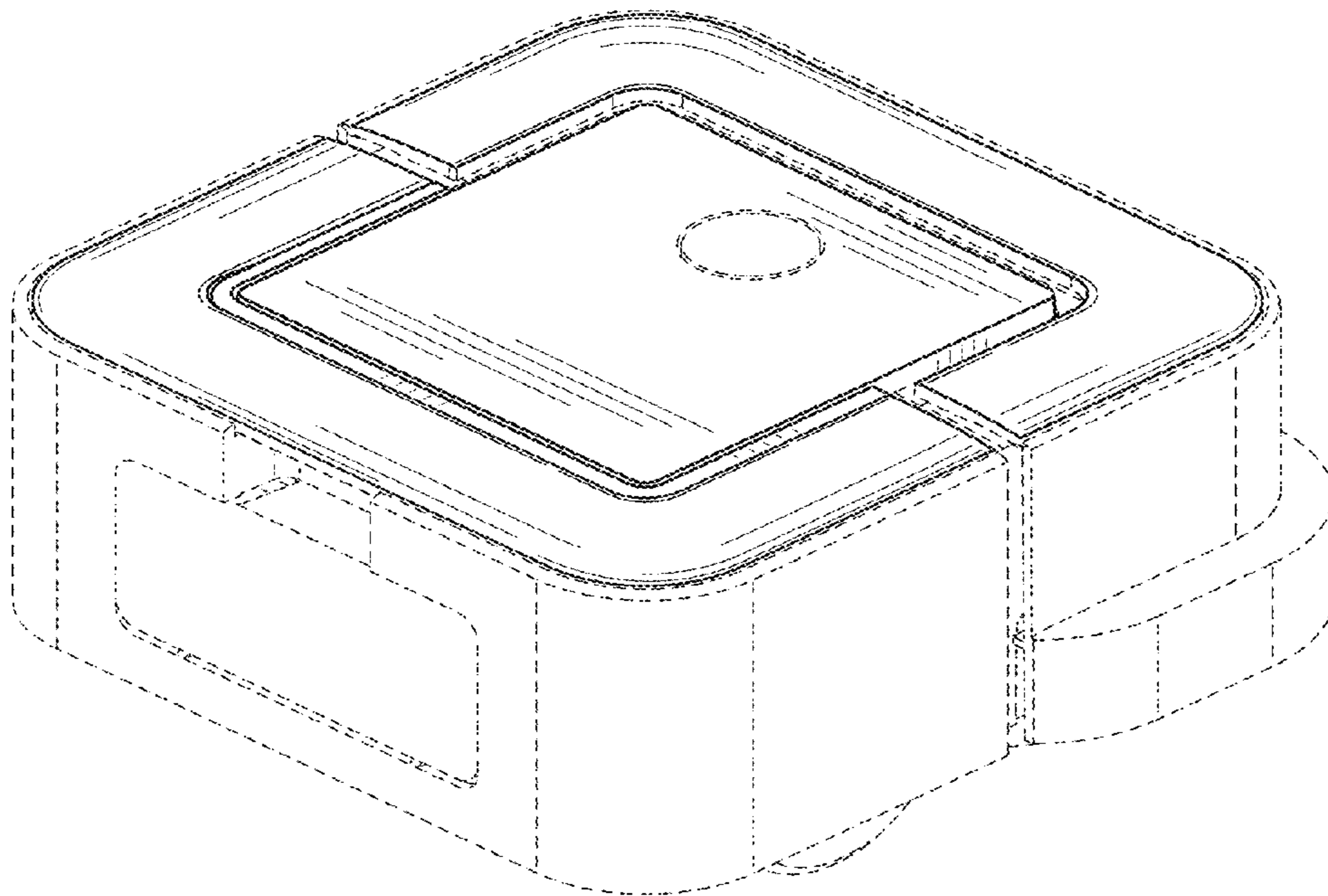


FIG. 2

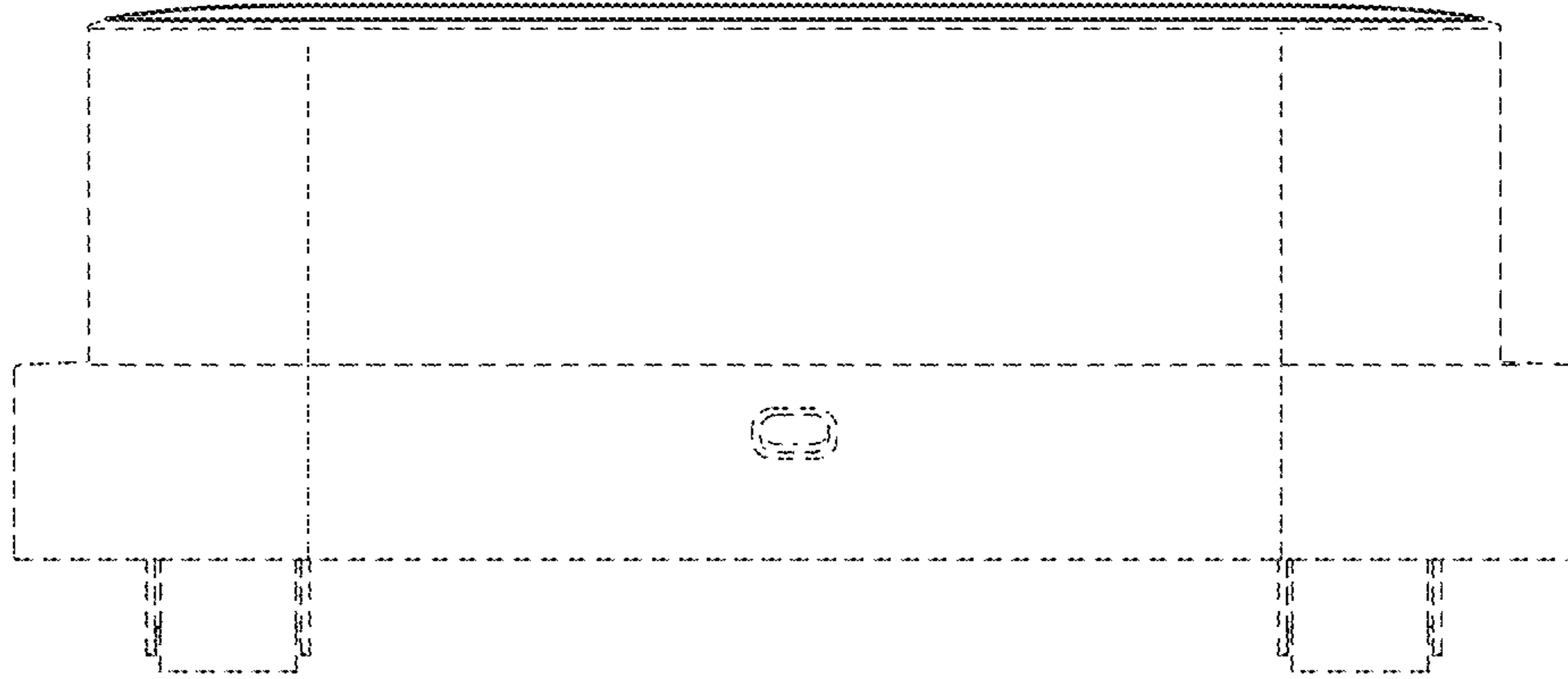


FIG. 3

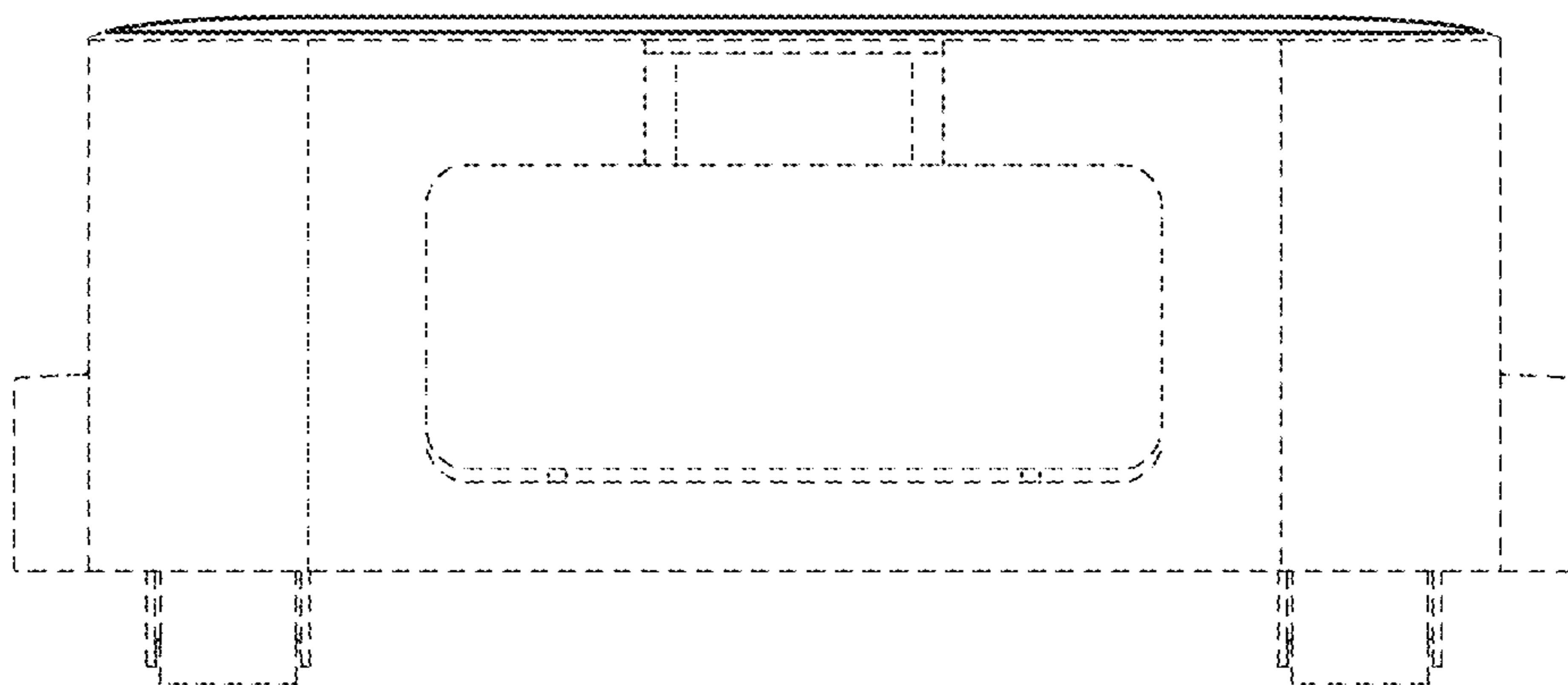


FIG. 4

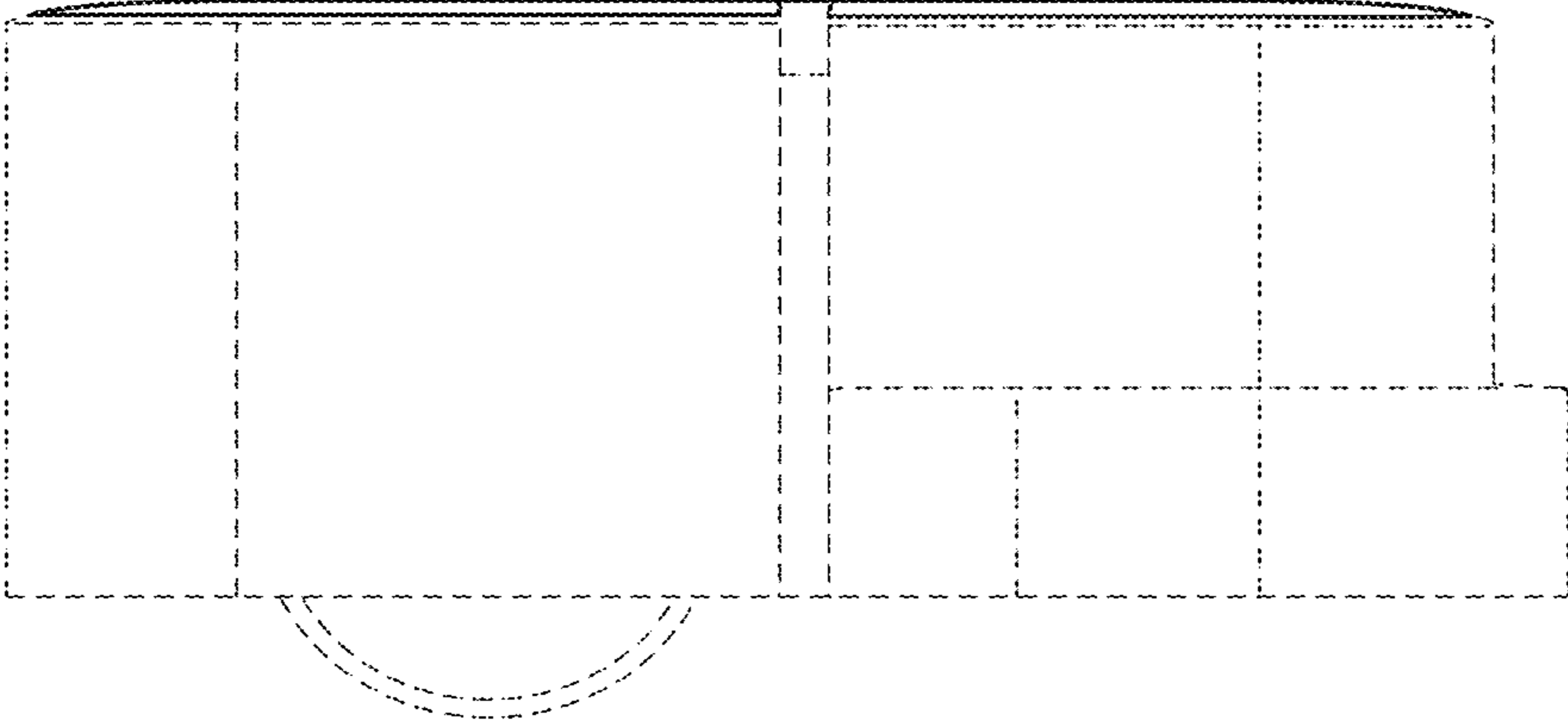


FIG. 5

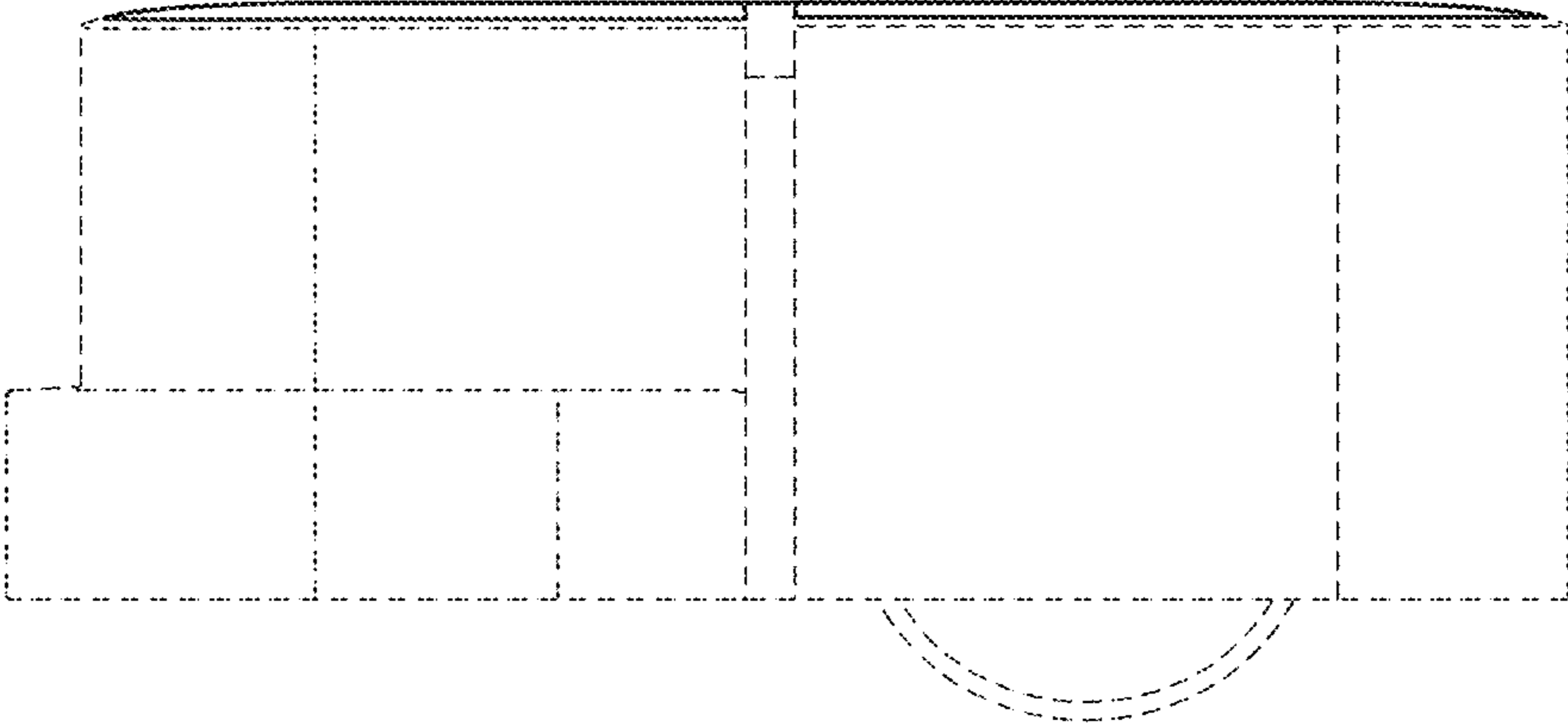


FIG. 6

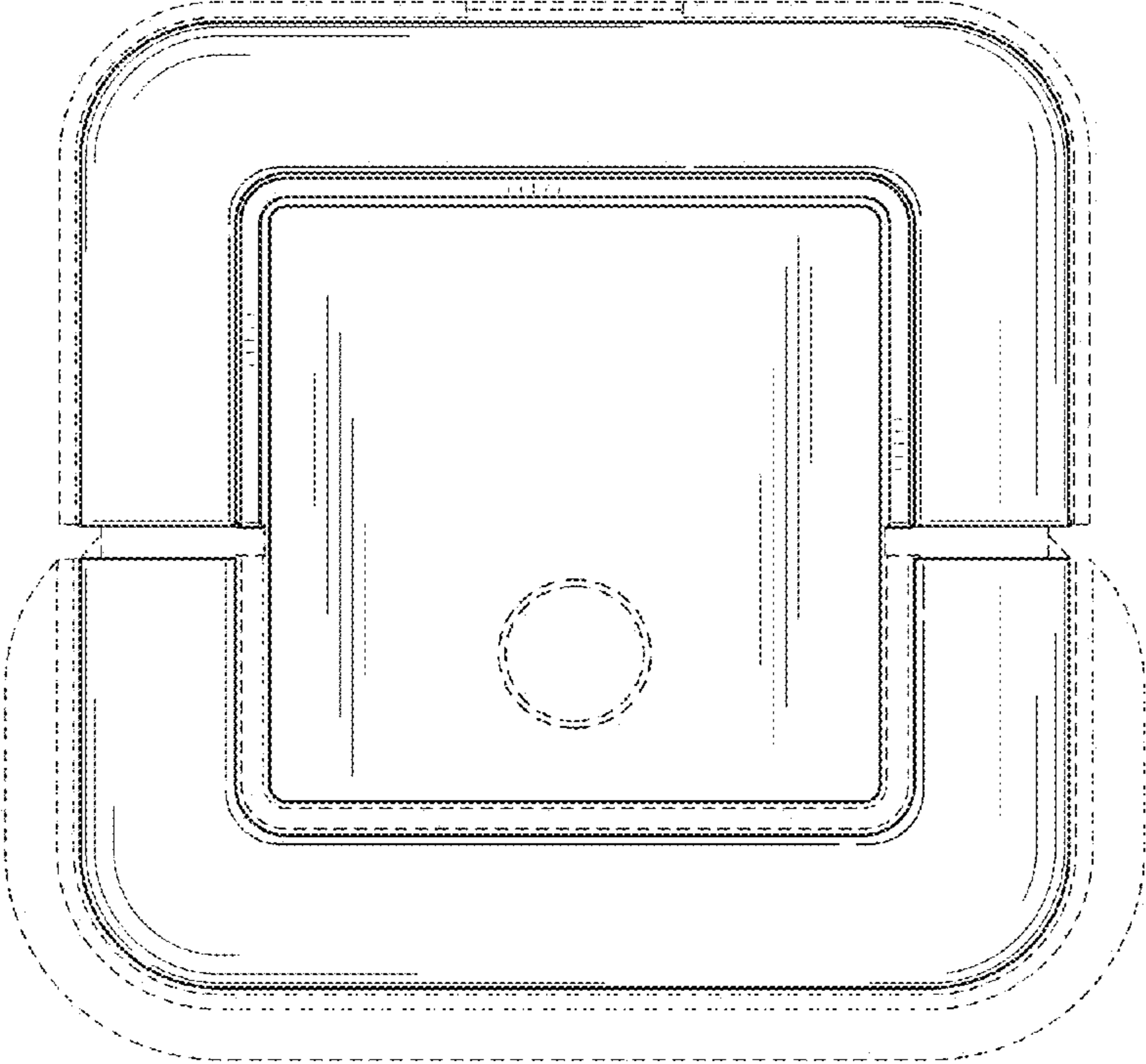


FIG. 7

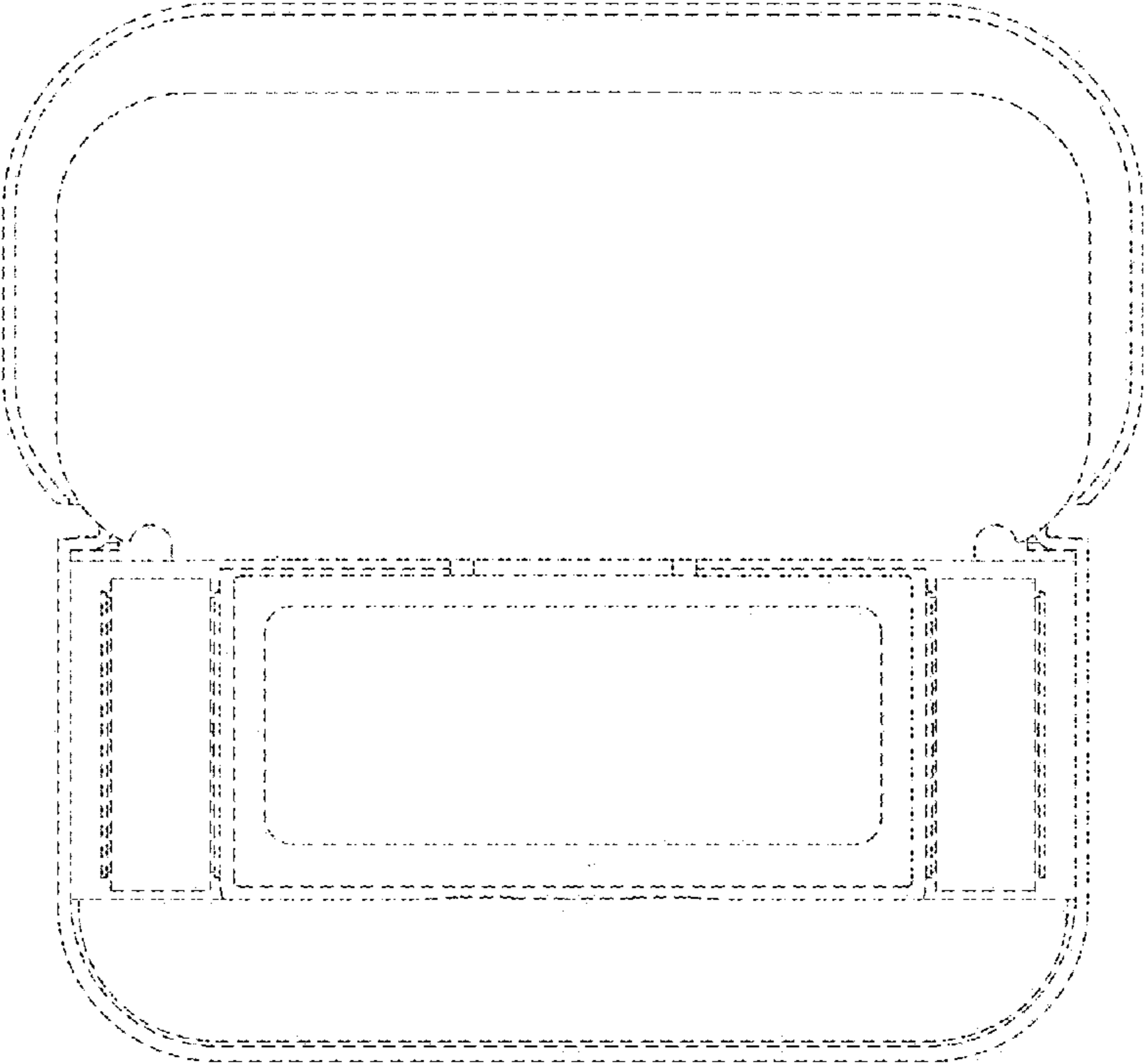


FIG. 8